



US00D350607S

United States Patent [19]

[11] Patent Number: **Des. 350,607**

Spence, Jr. et al.

[45] Date of Patent: **** Sep. 13, 1994**

[54] **PACIFIER**

5,156,617 10/1992 Reid 606/236 X

[75] Inventors: **Meredith Spence, Jr.**, Cuyahoga Falls; **James J. Keane**, Aurora, both of Ohio

Primary Examiner—Stella Reid

[73] Assignee: **Lisco, Inc.**, Tampa, Fla.

[57] **CLAIM**

The ornamental design for a pacifier, as shown and described.

[**] Term: **14 Years**

DESCRIPTION

[21] Appl. No.: **918,109**

[22] Filed: **Jul. 24, 1992**

[52] U.S. Cl. **D24/195**

[58] Field of Search 606/234, 235, 236; D24/195, 194, 196

FIG. 1 is a front view of a pacifier showing the design of my invention;

FIG. 2 is a top plan view showing the design of my invention;

FIG. 3 is a bottom view showing the design of my invention;

FIG. 4 is a rear view showing the design of my invention; and,

FIG. 5 is a right side view showing the design of my invention.

The left side view is a mirror image of the right side view.

[56] References Cited

U.S. PATENT DOCUMENTS

- D. 296,471 6/1988 Marriott D24/195
- D. 299,064 12/1988 Berndt D24/195
- D. 337,825 7/1993 Craner D24/195

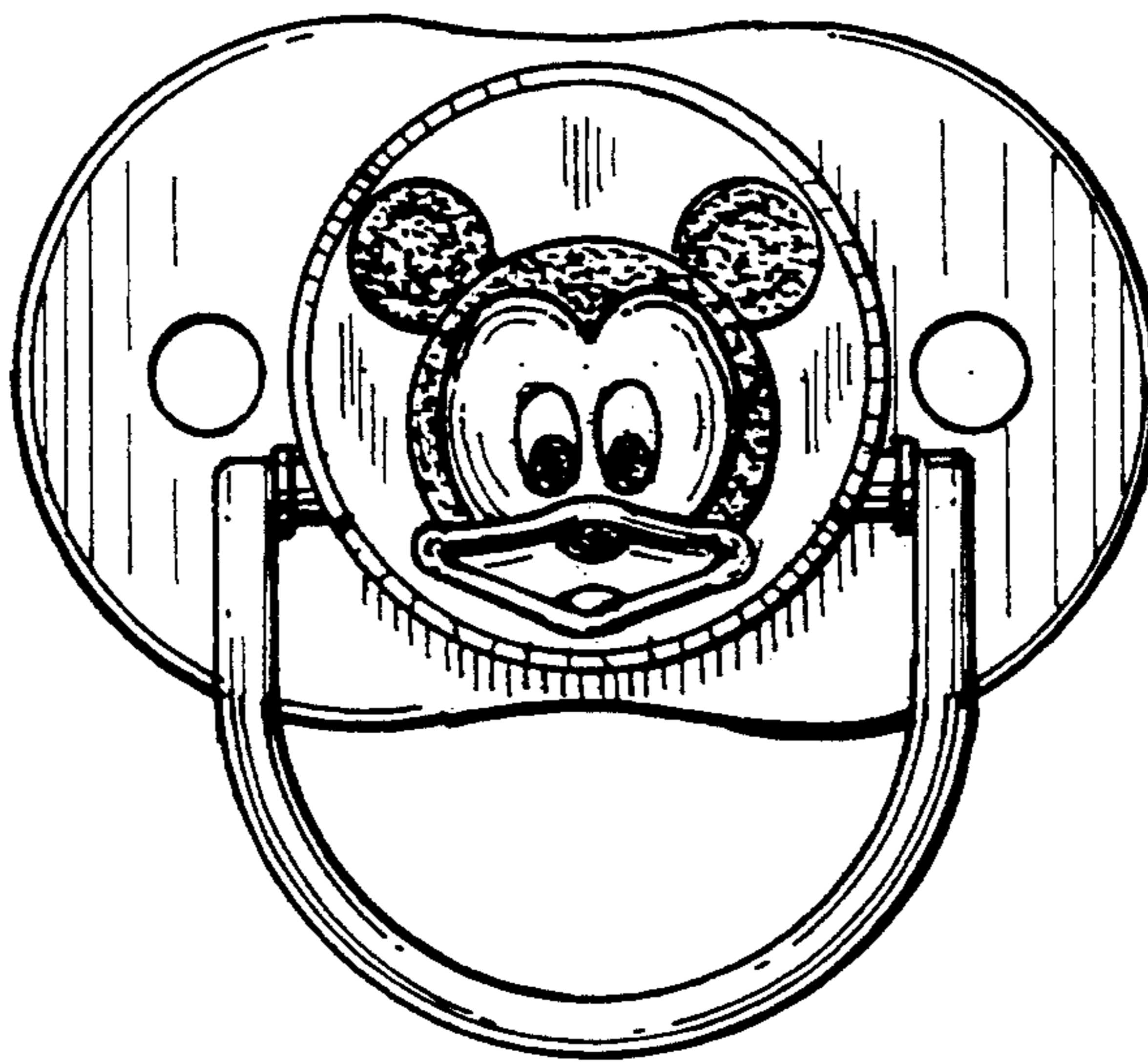


Fig. 2

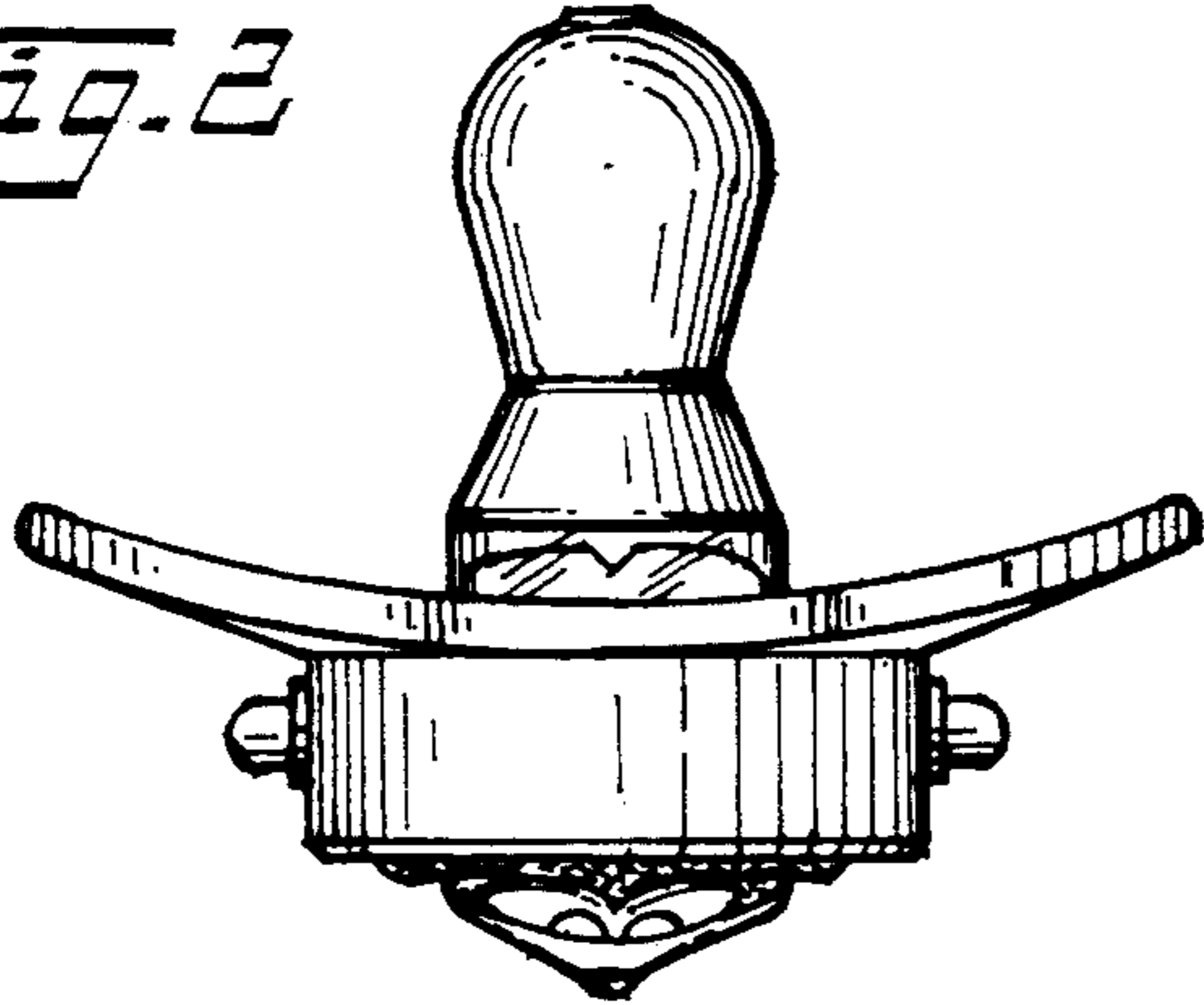


Fig. 4

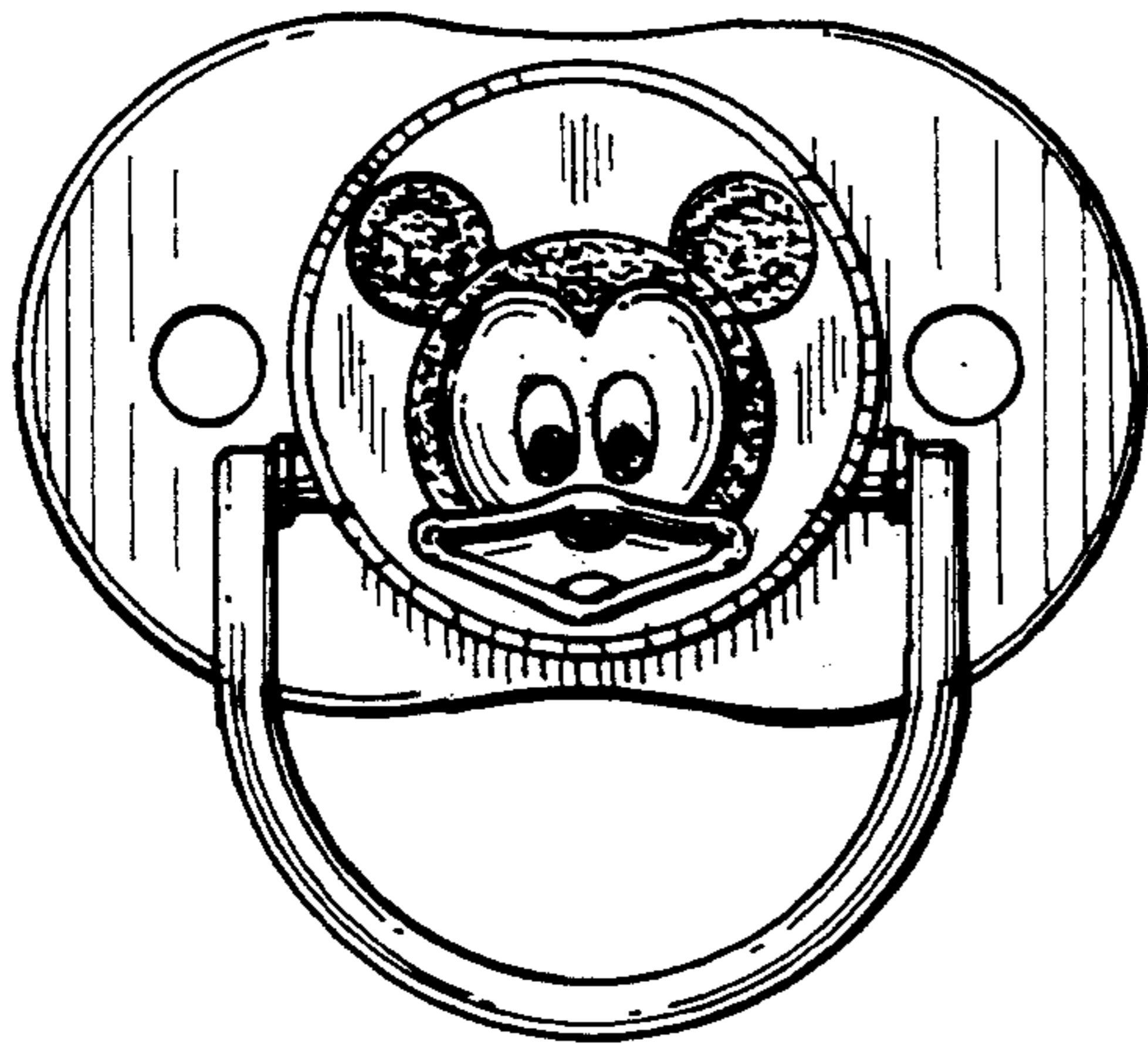
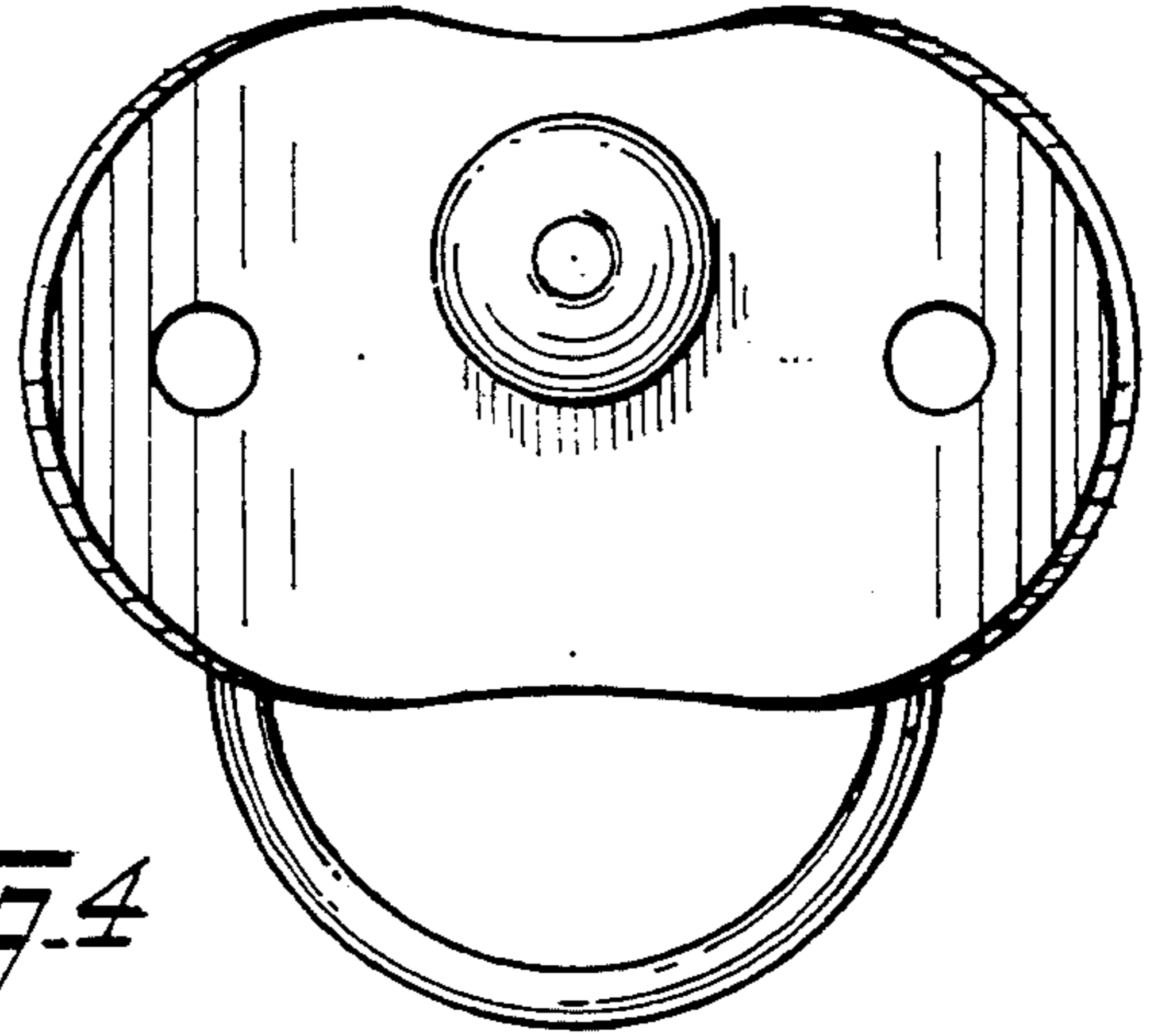


Fig. 1

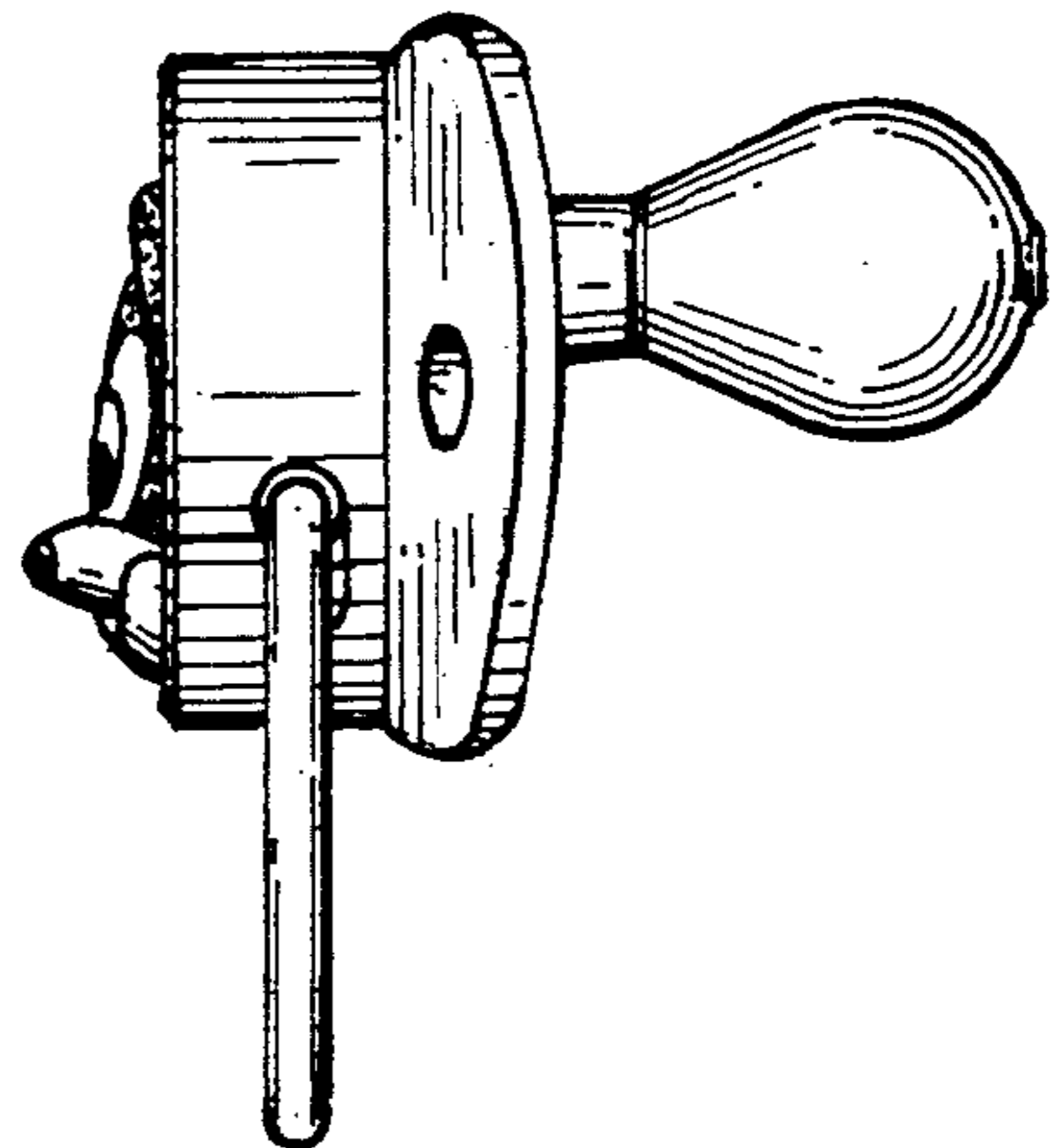


Fig. 5

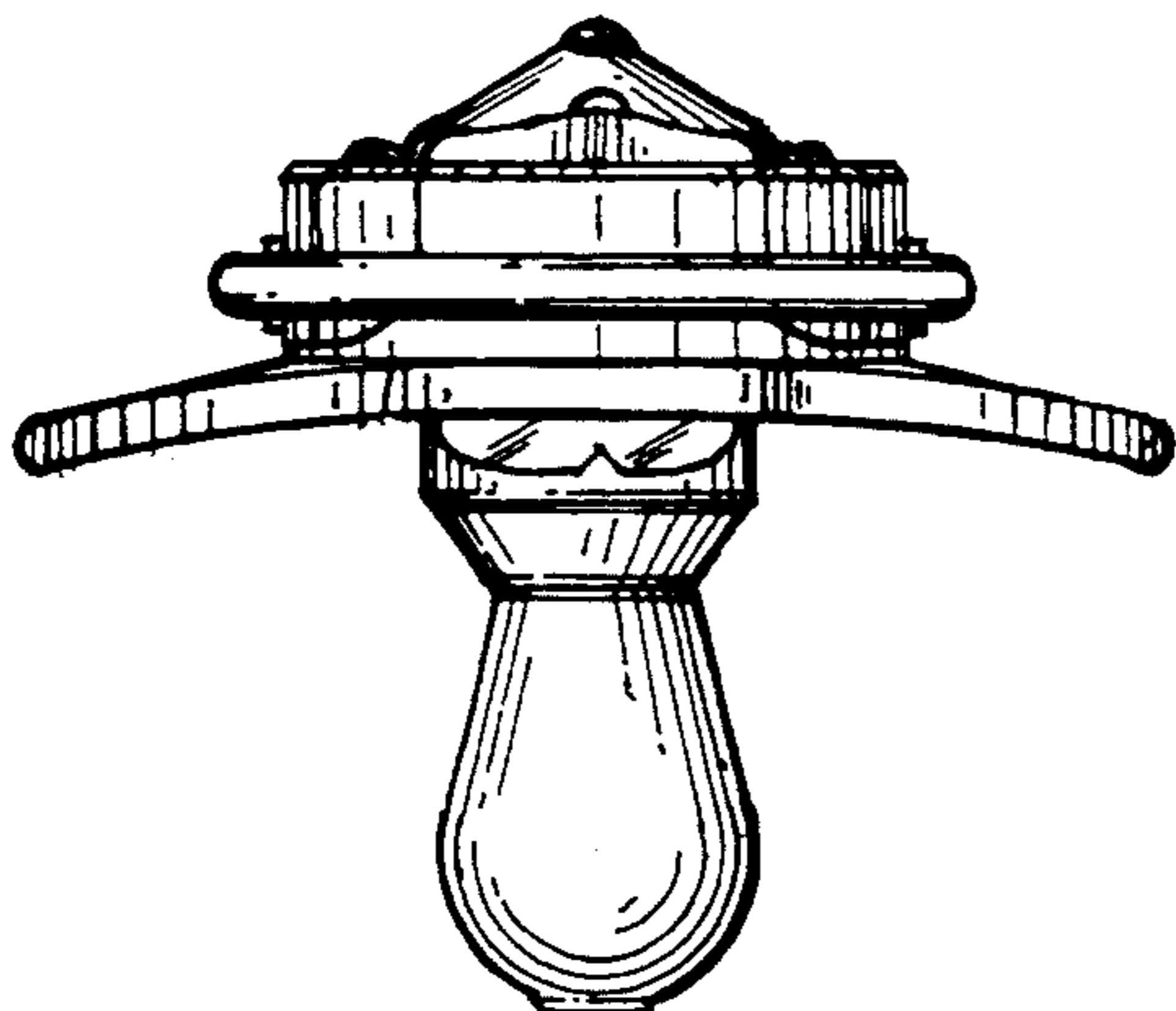


Fig. 3