



US00D350605S

United States Patent [19]

[11] Patent Number: Des. 350,605

Williams

[45] Date of Patent: ** Sep. 13, 1994

[54] INTRODUCER HANDLE FOR MEDICAL CANNULA

[75] Inventor: Christopher R. Williams, Grand Rapids, Mich.

[73] Assignee: DLP, Inc., Grand Rapids, Mich.

[**] Term: 14 Years

[21] Appl. No.: 869,361

[22] Filed: Apr. 14, 1992

[52] U.S. Cl. D24/133; D24/147

[58] Field of Search 128/657; 604/161, 160, 604/164, 165, 95, 159, 177, 93; D24/112, 127, 130, 133, 113, 141

[56] **References Cited**

U.S. PATENT DOCUMENTS

D. 291,918	9/1987	Spits	D24/141
D. 333,182	2/1993	Yoshikawa	D24/133
4,342,313	8/1982	Chittenden	604/159
4,713,057	12/1987	Huttner et al.	604/164
4,846,805	7/1989	Sitar	604/165
4,946,443	8/1990	Hauser et al.	604/165
4,973,329	11/1990	Park et al.	128/657 X

Primary Examiner—A. Hugo Word
Assistant Examiner—I. Simmons
Attorney, Agent, or Firm—Barnes, Kisselle, Raisch, Choate, Whittemore & Hulber

[57] **CLAIM**

The ornamental design for an introducer handle for medical cannula, as shown and described.

DESCRIPTION

FIG. 1 is a top plan view of an introducer handle for medical cannula showing my new design, the bottom plan view being a mirror image thereto;

FIG. 2 is a front elevational view thereof, the rear elevational view being a mirror image thereto;

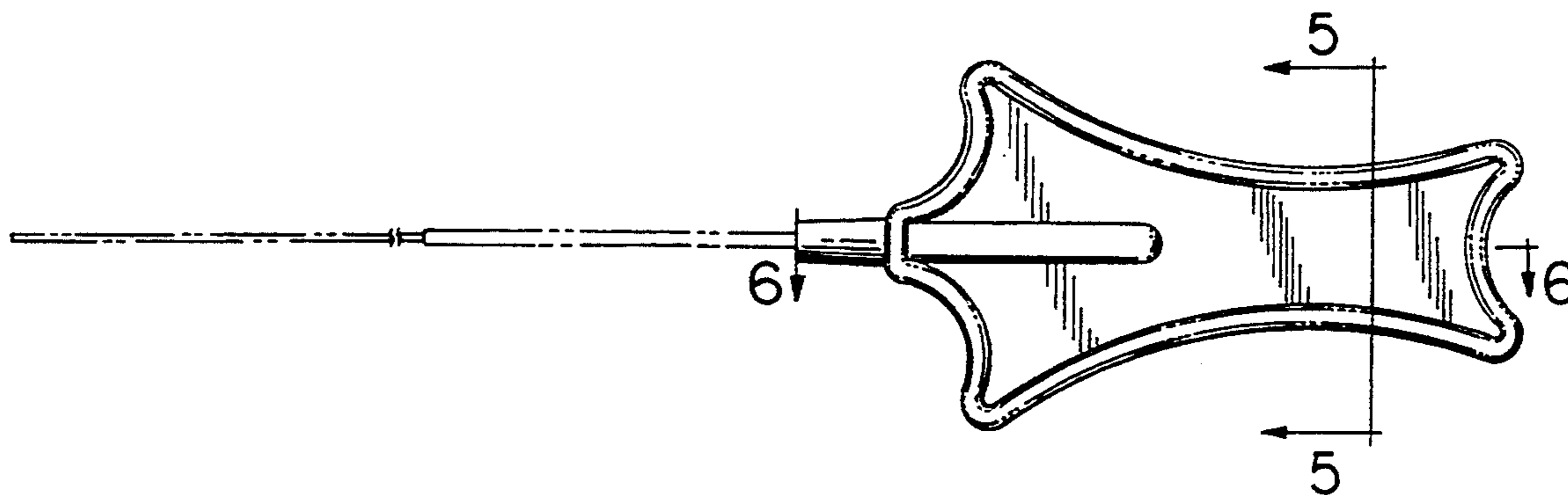
FIG. 3 is a left side elevational view thereof;

FIG. 4 is a right side elevational view thereof;

FIG. 5 is a cross-sectional view thereof, taken along the line 5—5 of FIG. 2; and,

FIG. 6 is a cross-sectional view thereof, taken along the line 6—6 of FIG. 2.

The broken line showing of the introducer in FIGS. 1 and 2 is for illustrative purposes only and forms no part of the claimed design.



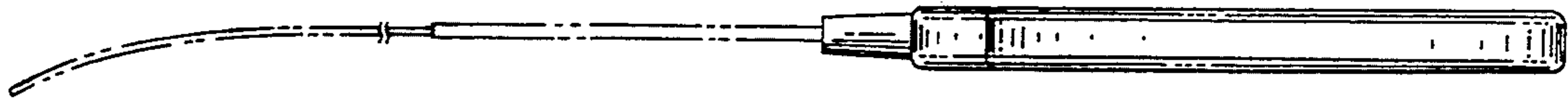


FIG. 1

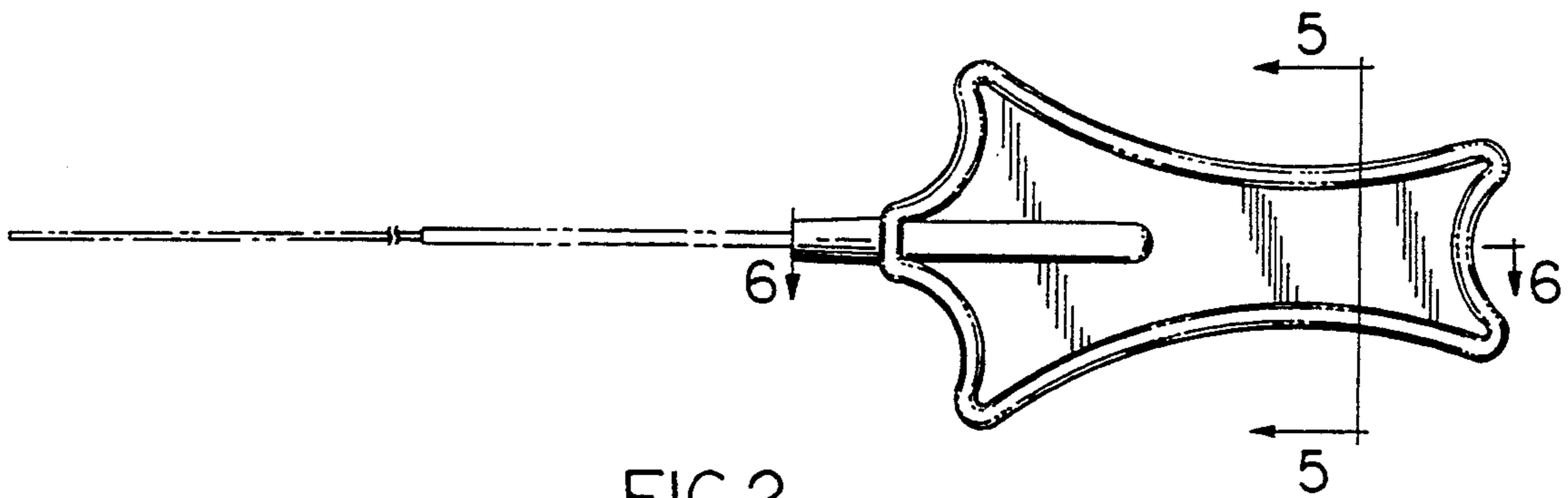


FIG. 2



FIG. 3



FIG. 4



FIG. 5



FIG. 6