



US00D350600S

United States Patent [19]

[11] Patent Number: **Des. 350,600**

Rivero et al.

[45] Date of Patent: **** Sep. 13, 1994**

[54] **REMOTE CONTROLLED AIR FRESHENER**

Primary Examiner—Wallace R. Burke
Assistant Examiner—Lisa Lichtenstein
Attorney, Agent, or Firm—Terry M. Gernstein

[76] Inventors: **Jose Rivero; Jaun J. Matturo**, both of
P.O. Box 720281, Houston, Tex.
77272

[**] Term: **14 Years**

[57] **CLAIM**

[21] Appl. No.: **11,463**

The ornamental design for a remote controlled air freshener, as shown and described.

[22] Filed: **Aug. 5, 1993**

DESCRIPTION

[52] U.S. Cl. **D23/366**

[58] Field of Search **D9/300, 448; 239/337,
239/373, 308; 422/120; D23/366-369**

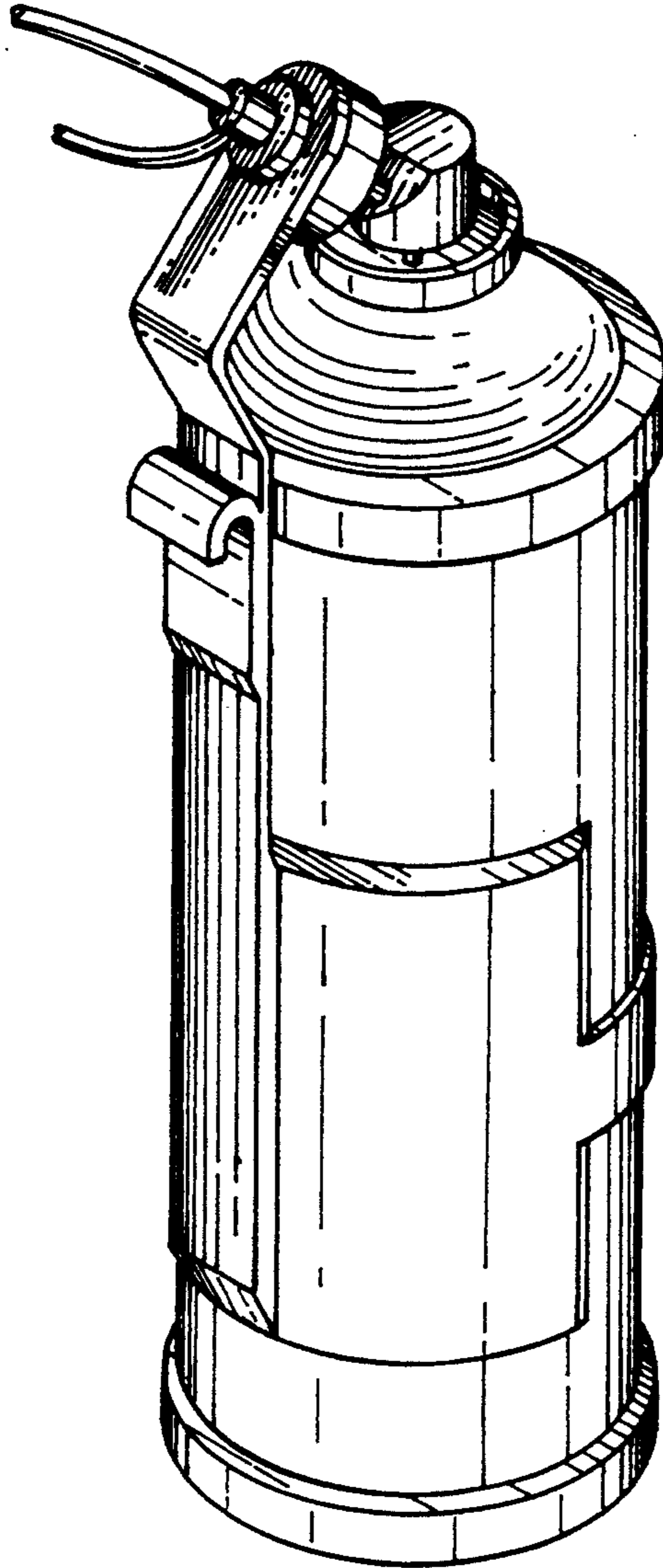
[56] **References Cited**

U.S. PATENT DOCUMENTS

D. 314,237	1/1991	Blumenthal, Jr.	D23/366
3,273,756	9/1966	Levy et al.	422/124
4,214,146	7/1980	Schimanski	392/390
4,339,079	7/1982	Sato	239/43
4,523,870	6/1988	Spector	454/157

FIG. 1 is a perspective view of the remote controlled air freshener showing our new design;
FIG. 2 is a front elevational view thereof;
FIG. 3 is a rear elevational view thereof;
FIG. 4 is a side elevational view thereof, the side opposite being a mirror image of the side shown in FIG. 4;
FIG. 5 is a top plan view thereof; and,
FIG. 6 is a bottom plan view thereof.

The upper tubular members in FIGS. 1-6, have been shown broken-away to indicate indeterminate length.



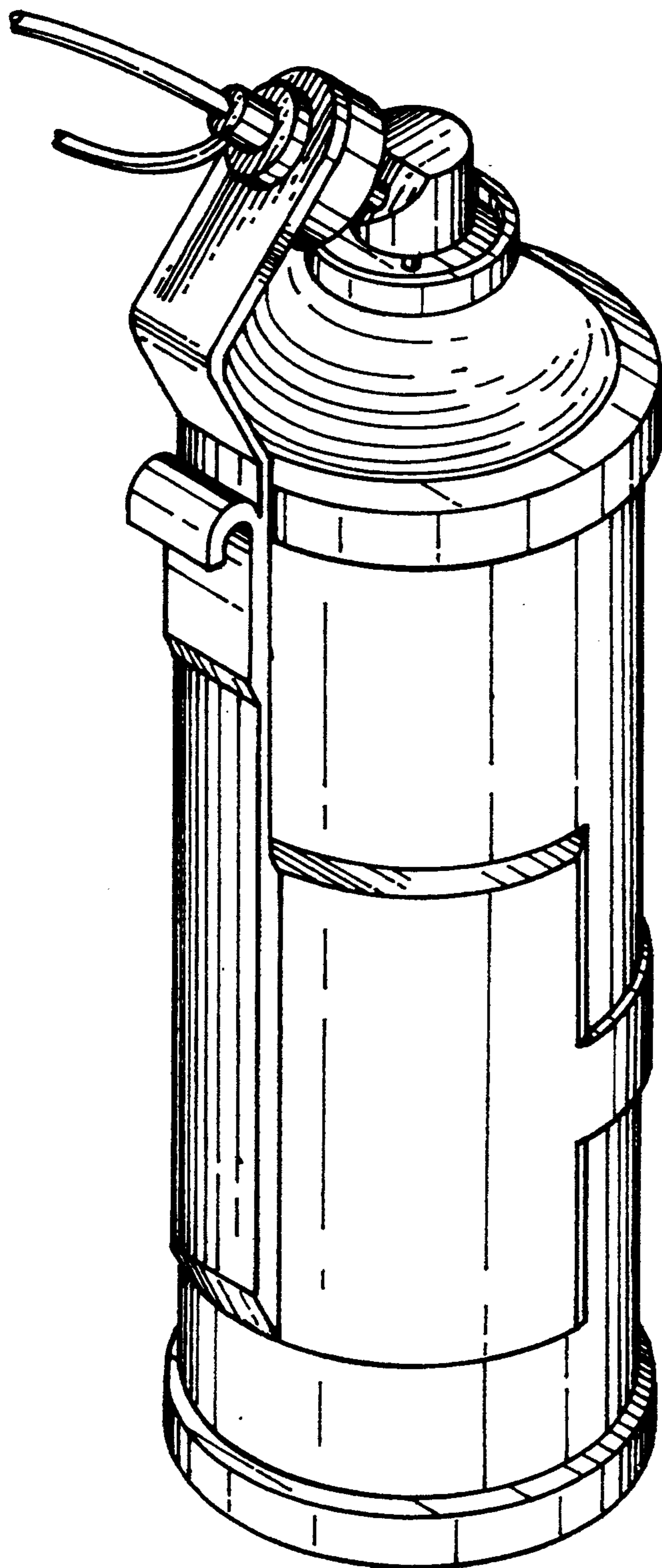


FIG. 1

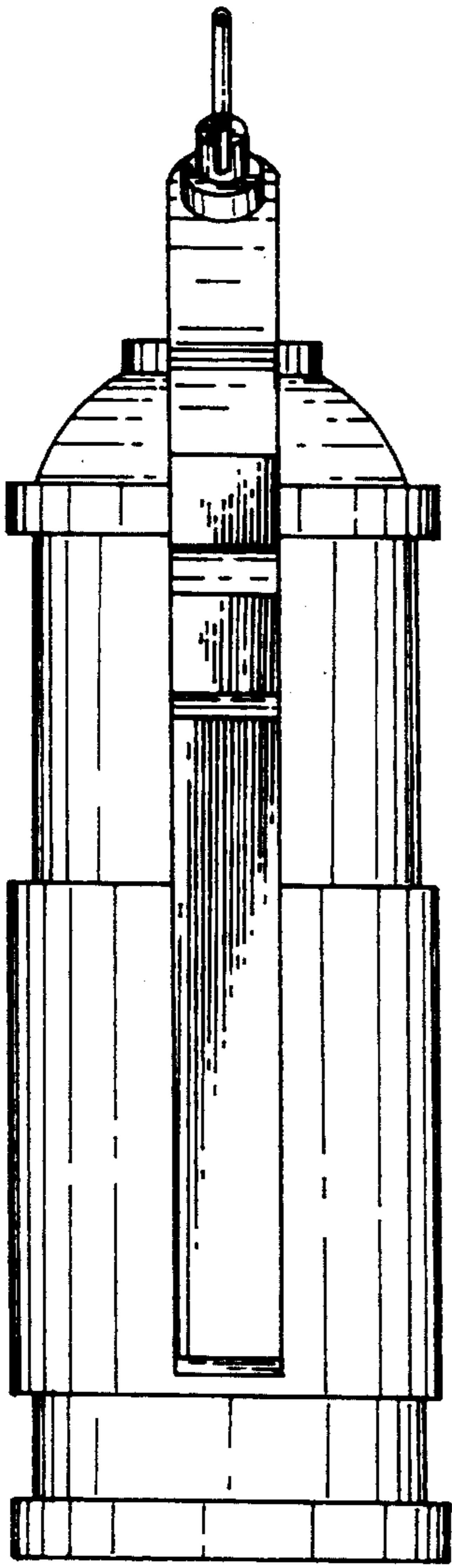


FIG. 2

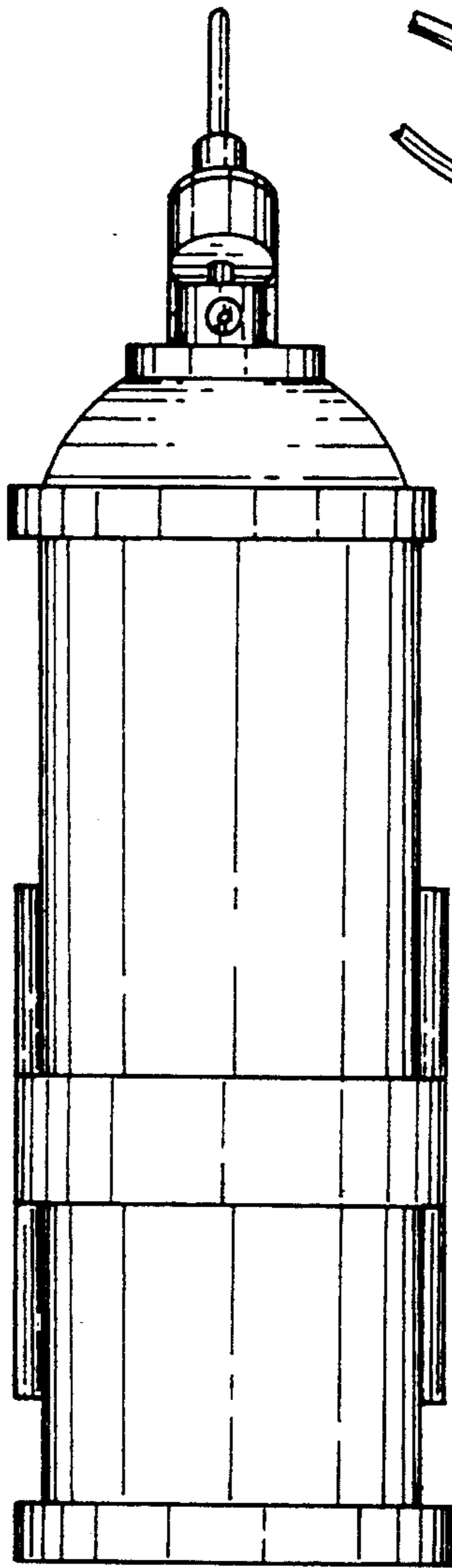


FIG. 3

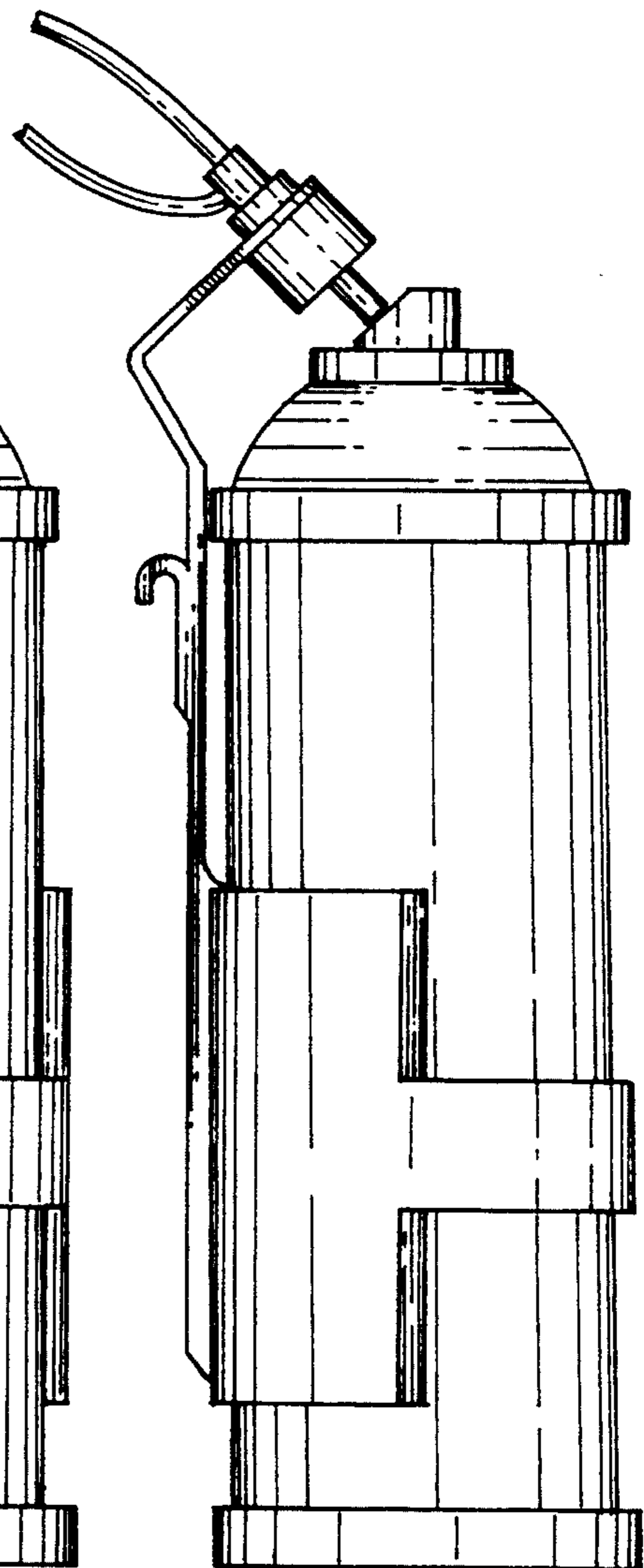


FIG. 4

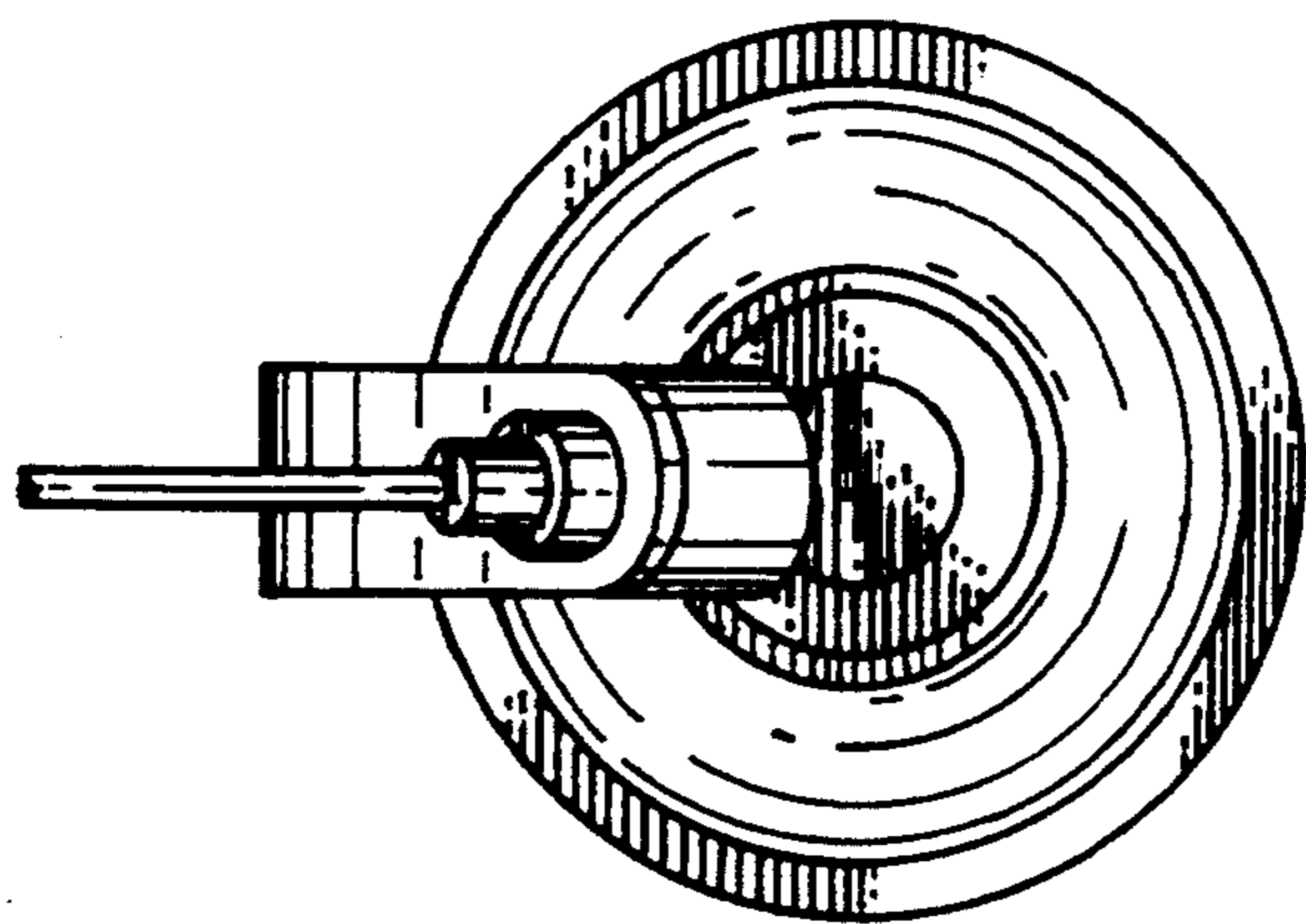


FIG. 5

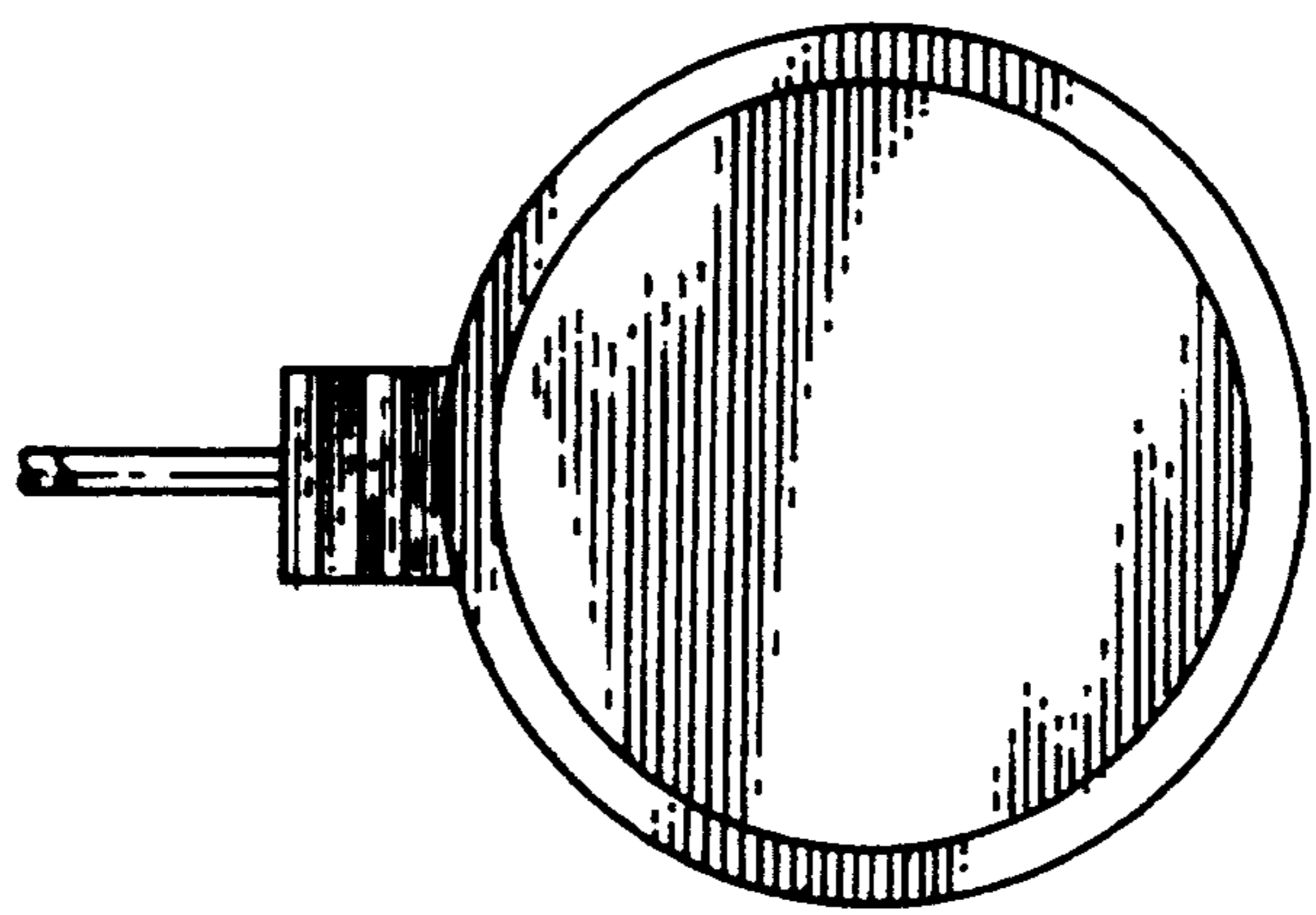


FIG. 6