



US00D350599S

# United States Patent [19]

[11] Patent Number: **Des. 350,599**

Silverstein et al.

[45] Date of Patent: **\*\* Sep. 13, 1994**

## [54] TOILET SEAT RETAINER

[76] Inventors: **Don L. Silverstein**, P.O. Box 558,  
Rancho Murieta, Calif. 95683-9998;  
**Jeffrey D. Silverstein**, P.O. Box 2550,  
Citrus Heights, Calif. 95611

[\*\*] Term: **14 Years**

[21] Appl. No.: **7,729**

[22] Filed: **Apr. 30, 1993**

[52] U.S. Cl. .... **D23/309**

[58] Field of Search ..... 4/231, 234, 236, 238,  
4/240, 241, 246.1, 661; D23/303, 309, 312

### [56] References Cited

#### U.S. PATENT DOCUMENTS

D. 309,091	7/1990	Shepard	4/246.1
4,707,870	11/1987	Glassco et al.	4/661
4,763,362	8/1988	Eure	4/234
4,805,246	2/1989	DeVargas et al.	4/231 X
4,967,426	11/1990	Williams, Sr.	4/661

*Primary Examiner*—Stella Reid  
*Assistant Examiner*—Eric Watterson  
*Attorney, Agent, or Firm*—Rhodes and Ascolillo

### [57] CLAIM

The ornamental design for a toilet seat retainer, as shown and described.

### DESCRIPTION

FIG. 1 is a perspective view of a toilet seat retainer showing my new design therefor. The broken line drawing depicting a toilet is for purposes of illustration only, and forms no part of my design; FIG. 2 is a right side elevational view; FIG. 3 is a top plan view; FIG. 4 is a left side elevational view. The broken line drawing representing the lid of a toilet tank and top of a toilet seat are for purposes of illustration only, and forms no part of my design; FIG. 5 is an enlarged bottom plan view. FIG. 6 is an enlarged front elevational view; and, FIG. 7 is an enlarged rear elevational view.





FIG. 1

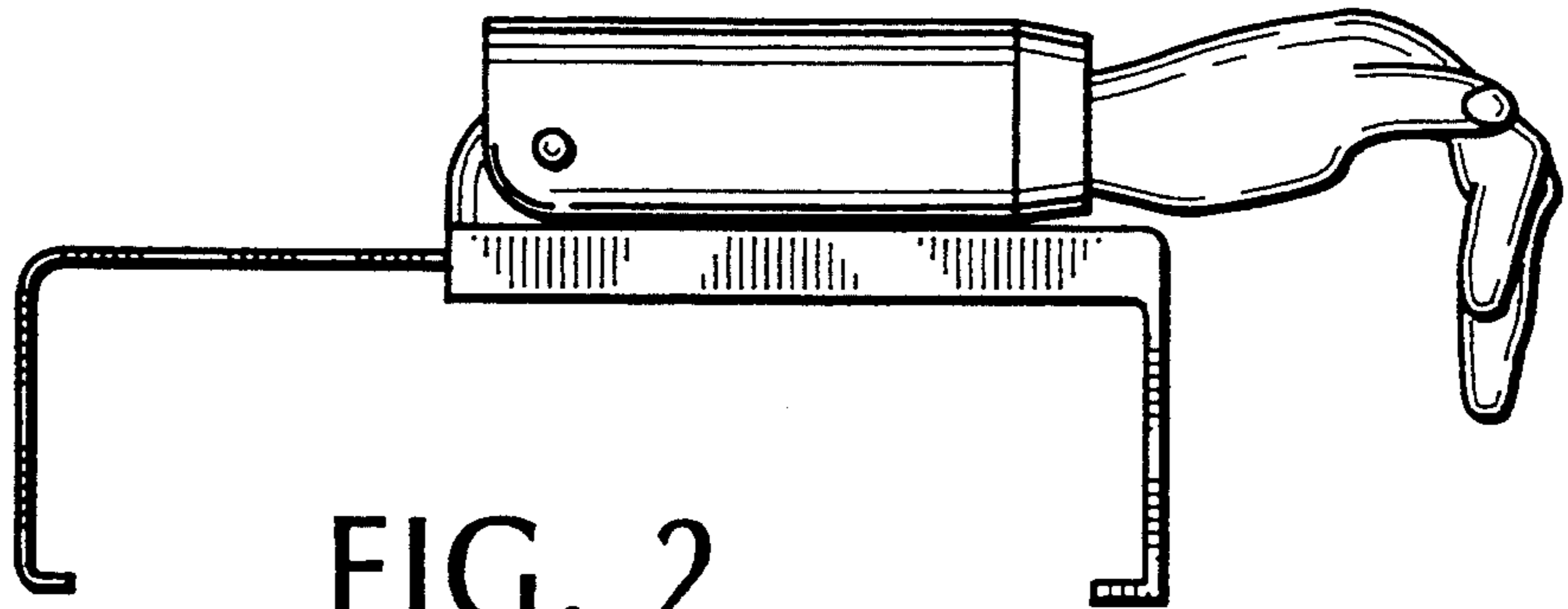


FIG. 2

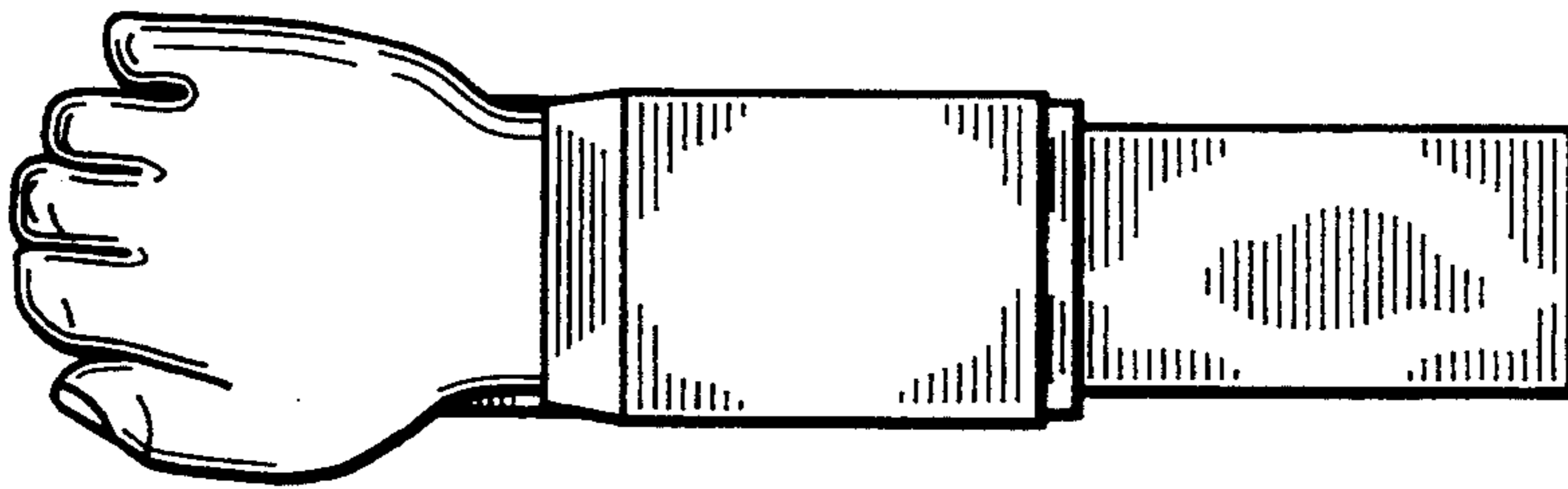


FIG. 3

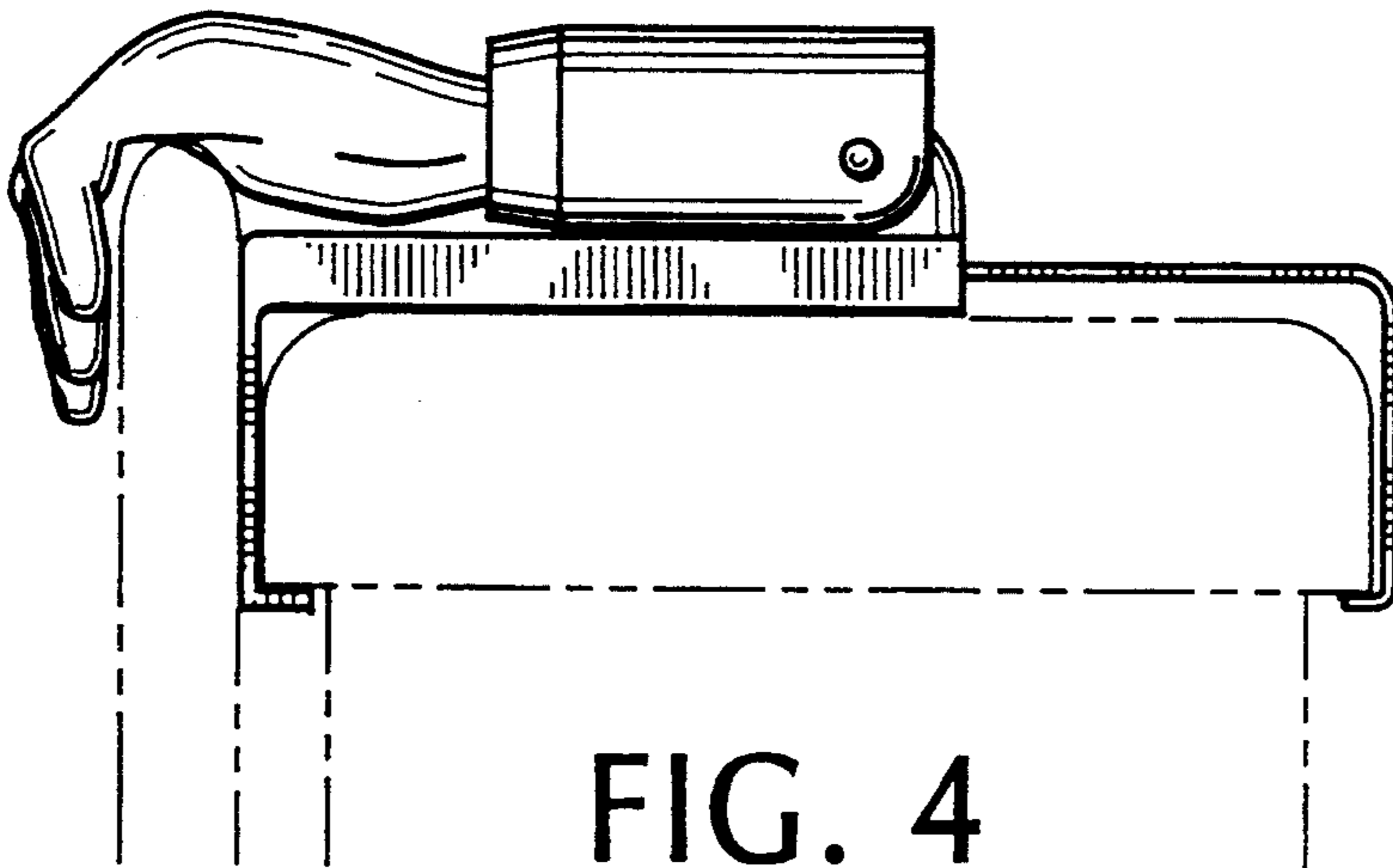


FIG. 4

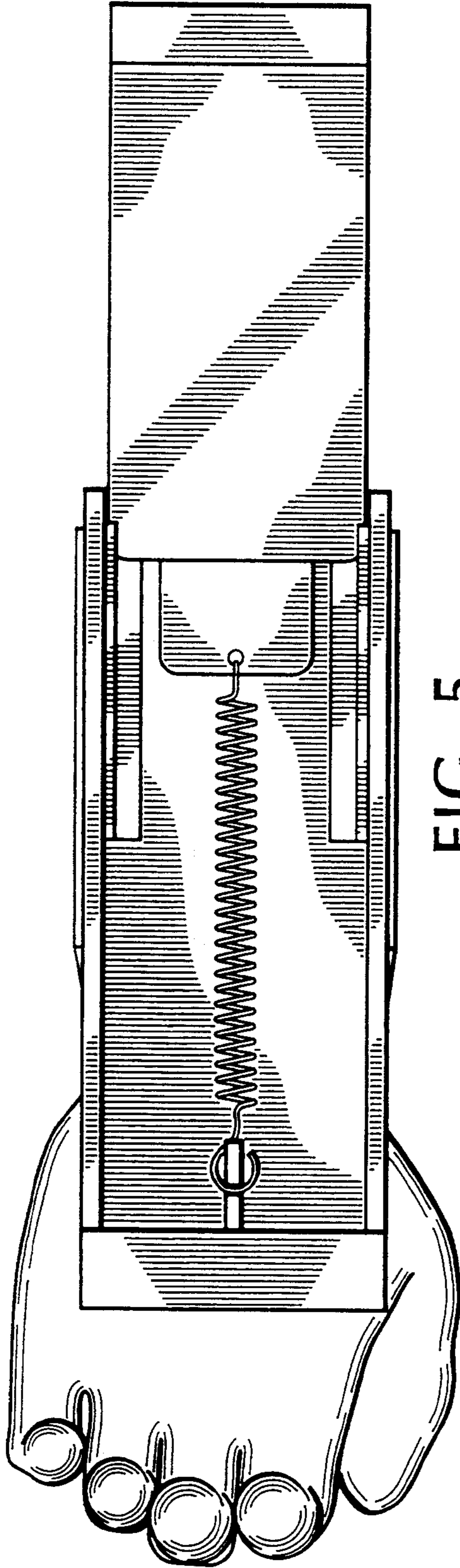


FIG. 5

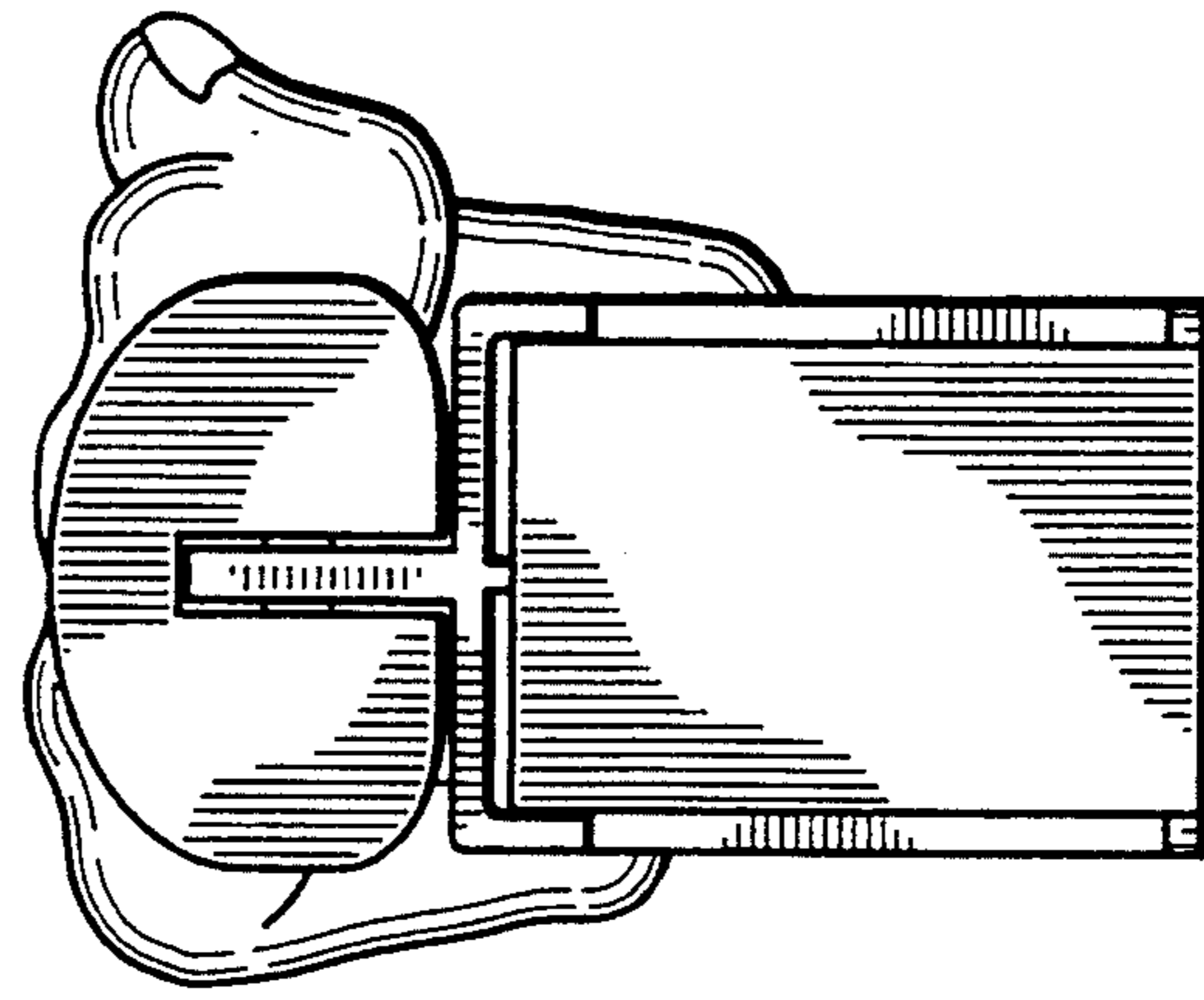


FIG. 7

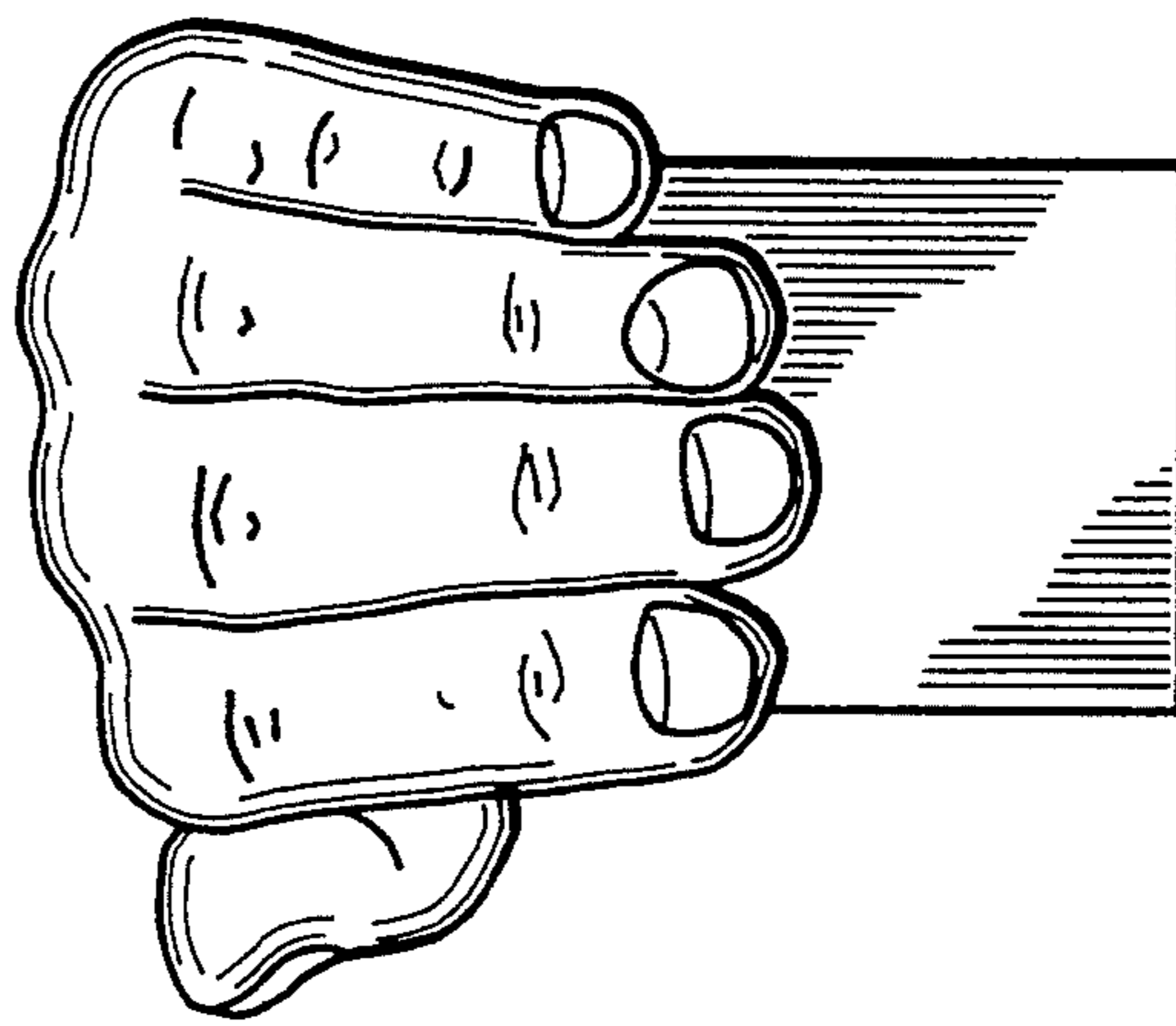


FIG. 6