



US00D350596S

United States Patent [19]
Paul

[11] **Patent Number: Des. 350,596**

[45] **Date of Patent: ** Sep. 13, 1994**

[54] **SPOUT**

D. 315,138 4/1991 Paul D23/257

[76] **Inventor: Stanley M. Paul, 214 Bedford Rd.,
Greenwich, Conn. 06831**

*Primary Examiner—James R. Lergen
Attorney, Agent, or Firm—Darby & Darby*

[**] **Term: 14 Years**

[57] **CLAIM**

[21] **Appl. No.: 4,948**

The ornamental design for a spout, as shown and described.

[22] **Filed: Feb. 17, 1993**

[52] **U.S. Cl. D23/257**

[58] **Field of Search 4/675-678;
137/801; D23/238-243, 255-257**

DESCRIPTION

[56] **References Cited**

U.S. PATENT DOCUMENTS

- D. 289,076 3/1987 Paul D23/238
- D. 310,258 8/1990 Strignano D23/242
- D. 311,241 10/1990 Strignano D23/241

FIG. 1 is a top perspective view of a spout showing my new design;

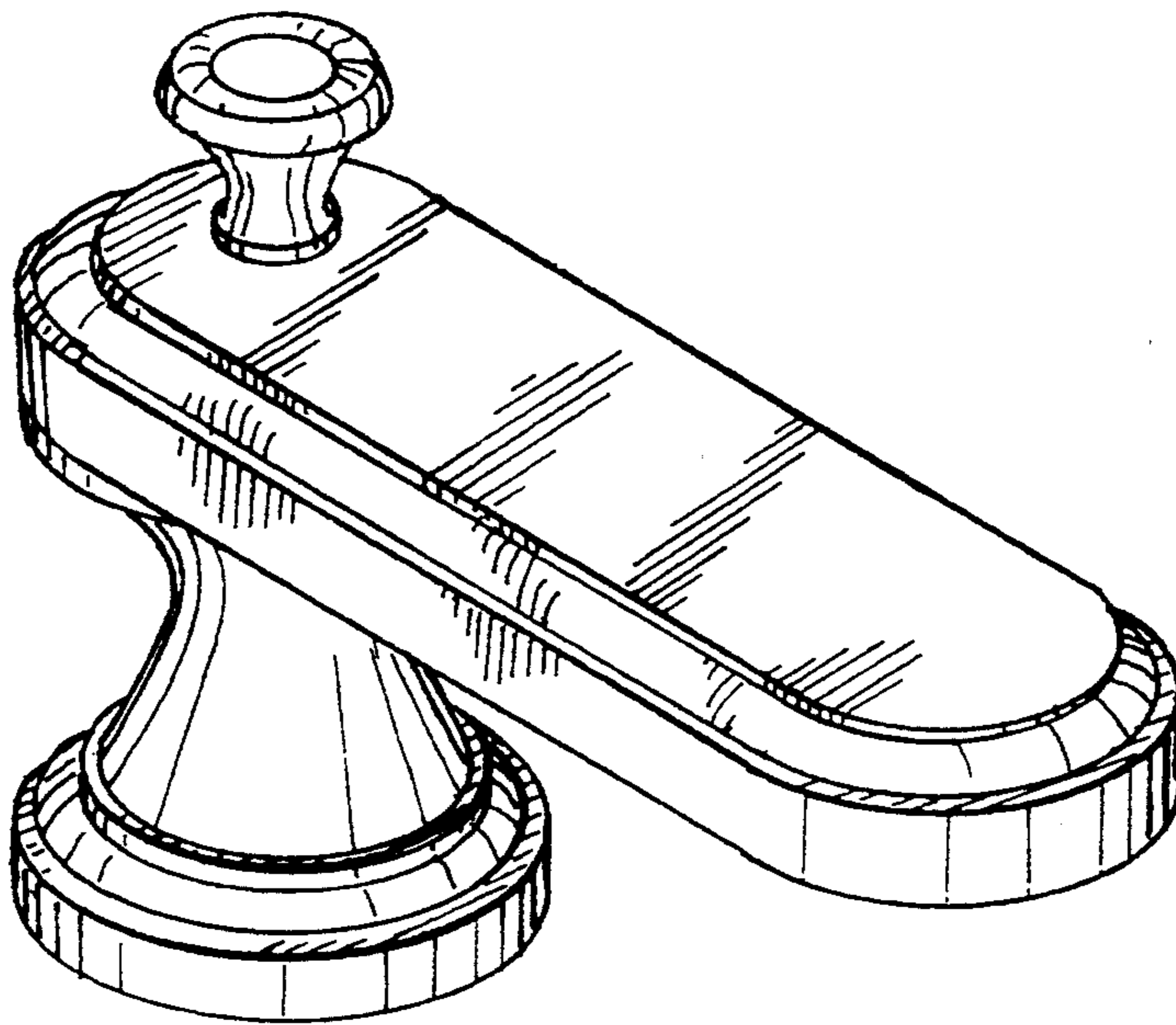
FIG. 2 is a plan view thereof;

FIG. 3 is a left side elevational view thereof, the right side being a mirror image of the left side;

FIG. 4 is a front elevational view thereof;

FIG. 5 is a rear elevational view thereof; and,

FIG. 6 is a bottom plan view thereof.



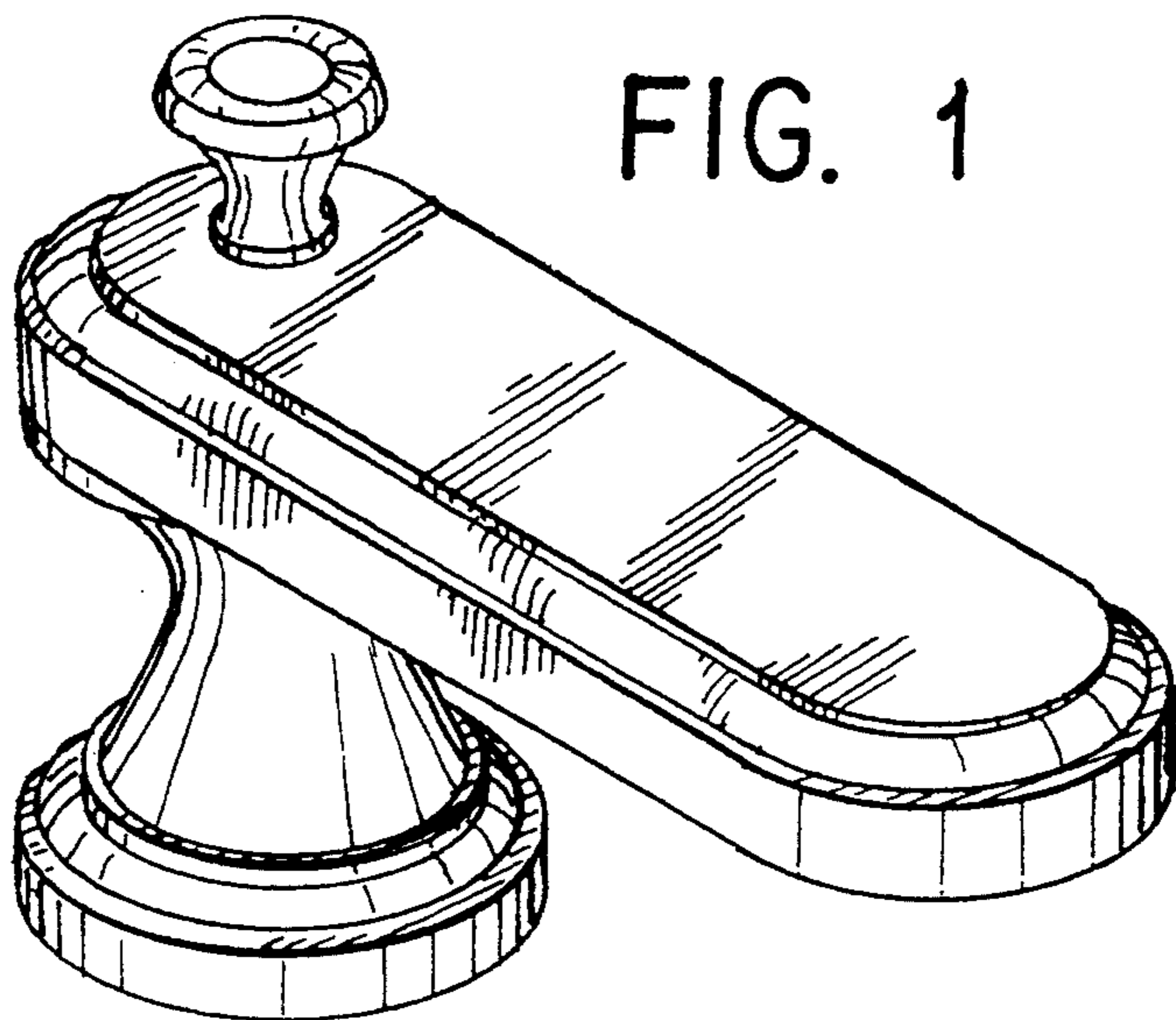


FIG. 1

FIG. 2

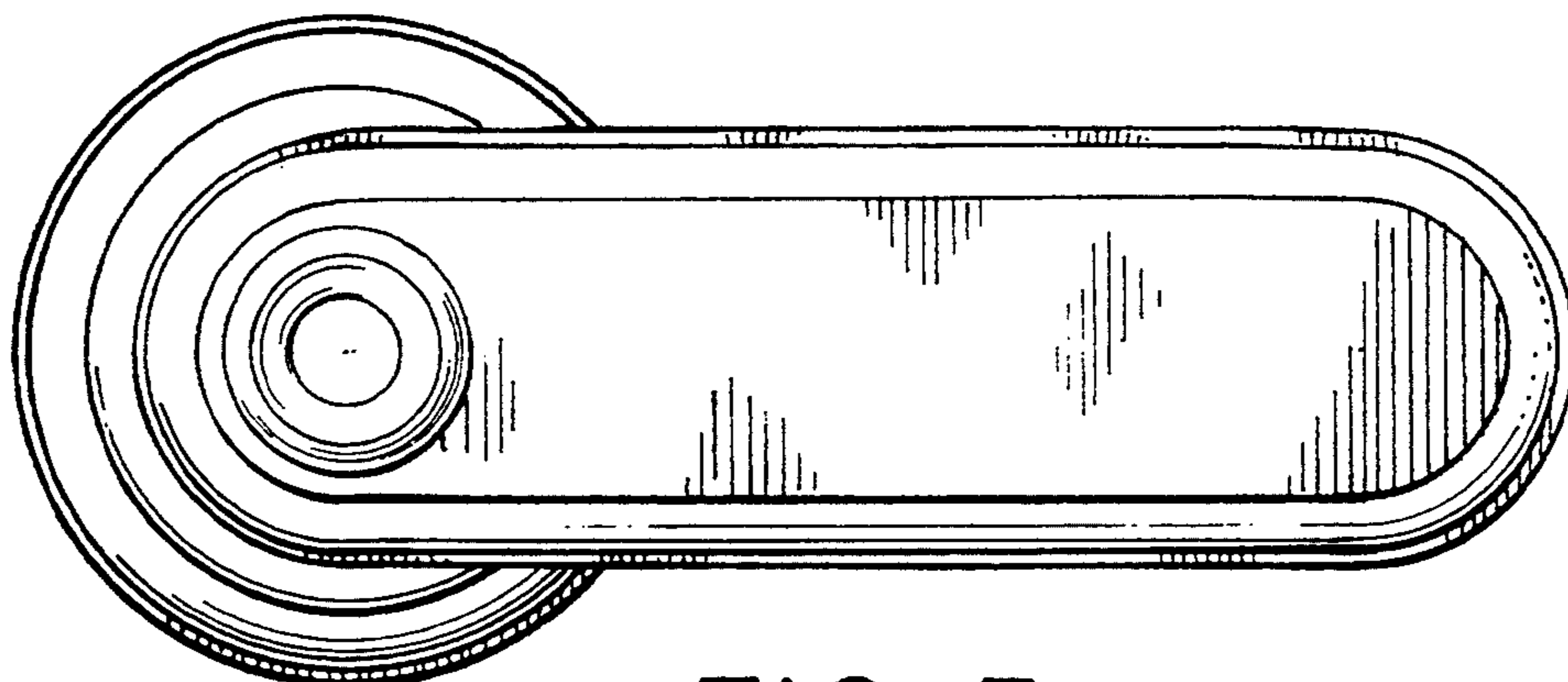


FIG. 3

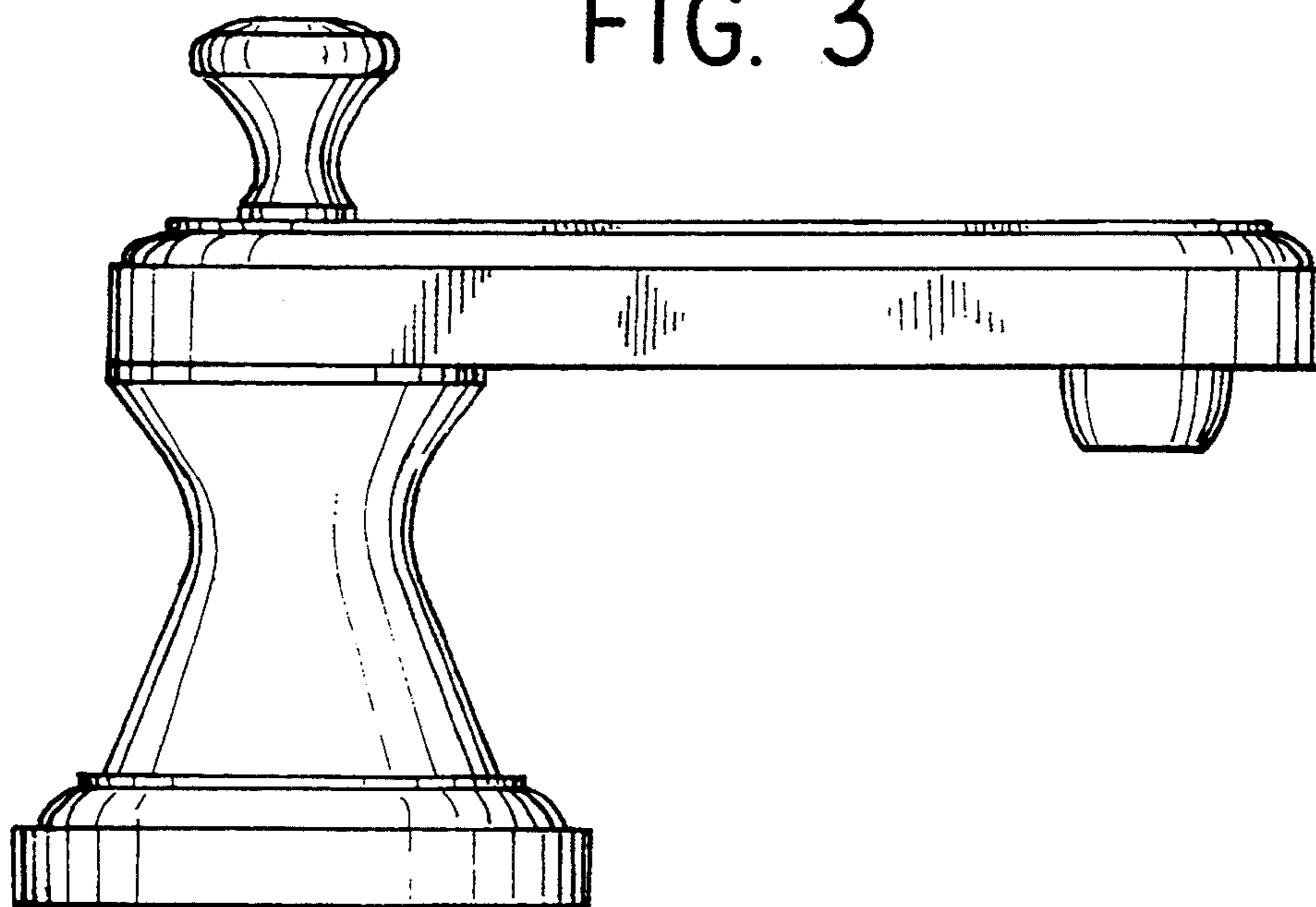


FIG. 4

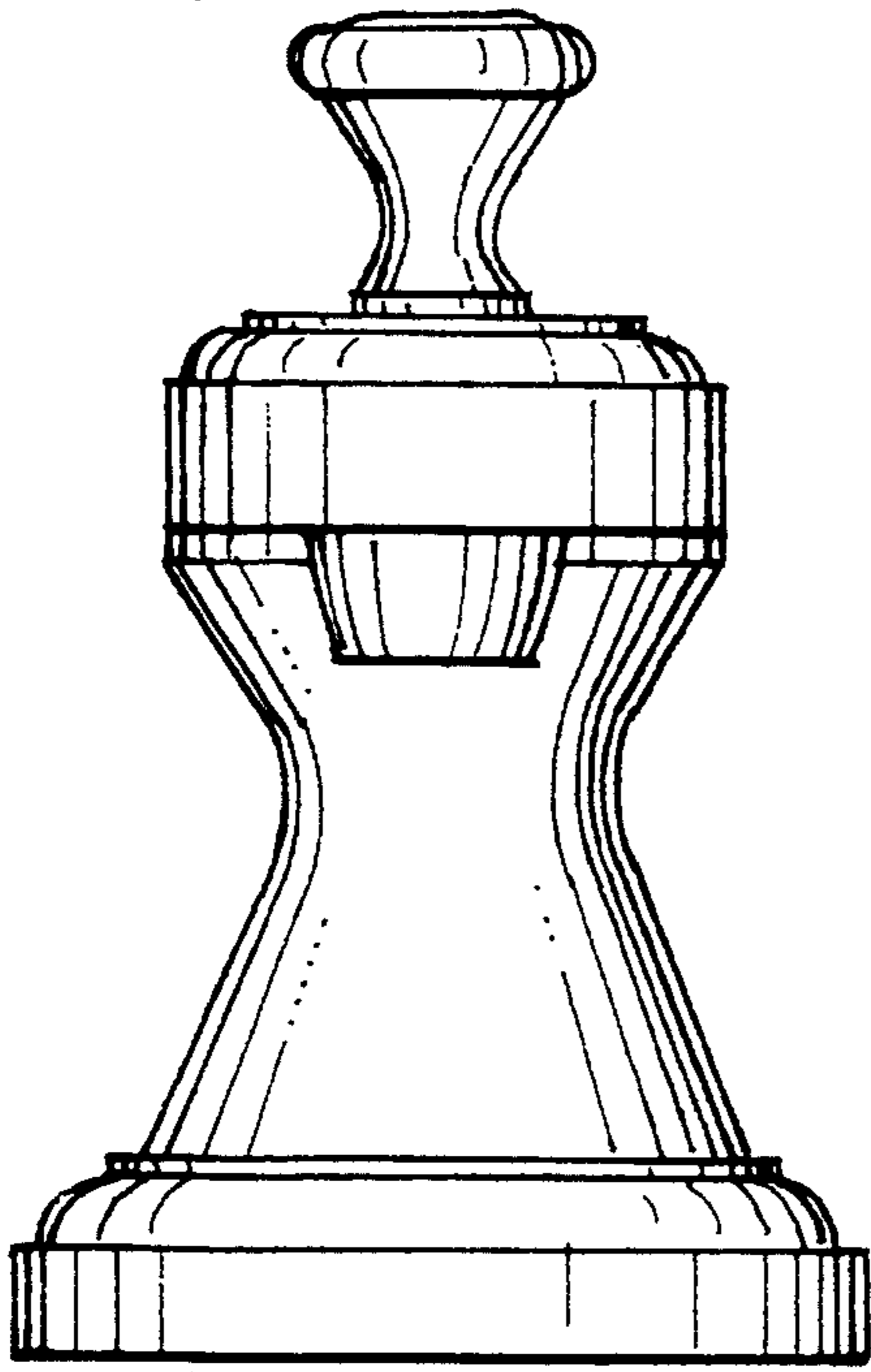


FIG. 5

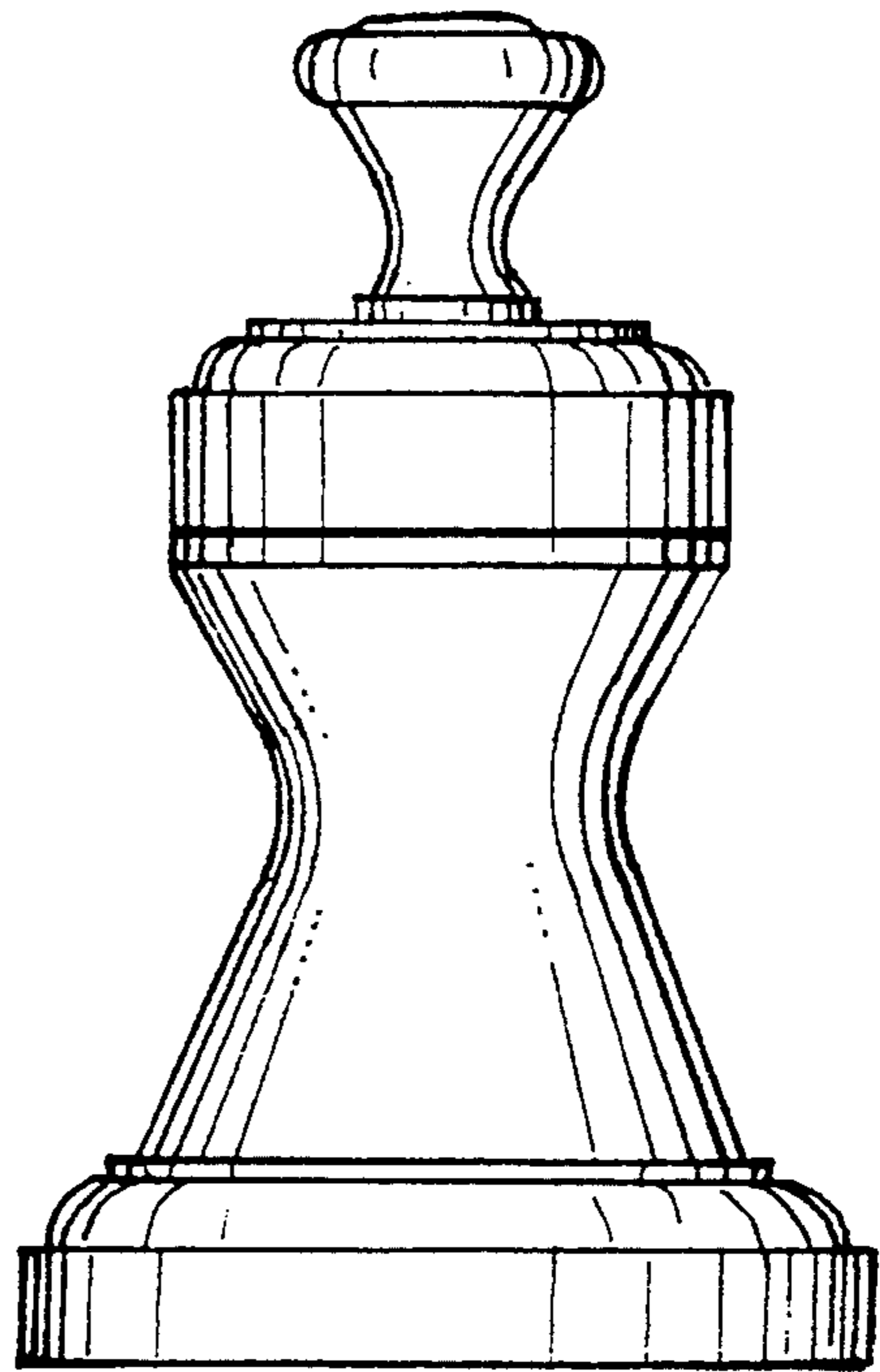


FIG. 6

