



US00D350594S

# United States Patent [19] Paul

[11] Patent Number: **Des. 350,594**

[45] Date of Patent: **\*\* Sep. 13, 1994**

[54] SPOUT

[76] Inventor: **Stanley M. Paul**, 214 Bedford Rd.,  
Greenwich, Conn. 06831

[\*\*] Term: **14 Years**

[21] Appl. No.: **4,966**

[22] Filed: **Feb. 17, 1993**

[52] U.S. Cl. .... **D23/257**

[58] Field of Search ..... 137/801; 4/675-678;  
D23/238-243, 255-257

D. 303,284 9/1989 Paul ..... D23/242

D. 325,773 4/1992 Paul ..... D23/255

D. 342,777 12/1993 Paul ..... D23/257

*Primary Examiner*—James R. Largen  
*Attorney, Agent, or Firm*—Darby & Darby

### [57] CLAIM

The ornamental design for a spout, as shown and described.

### DESCRIPTION

FIG. 1 is a top perspective view of a spout showing my new design;

FIG. 2 is a plan view thereof;

FIG. 3 is a left side elevational view thereof, the right side being a mirror image of the left side;

FIG. 4 is a front elevational view thereof;

FIG. 5 is a rear elevational view thereof; and,

FIG. 6 is a bottom plan view thereof.

### [56] References Cited

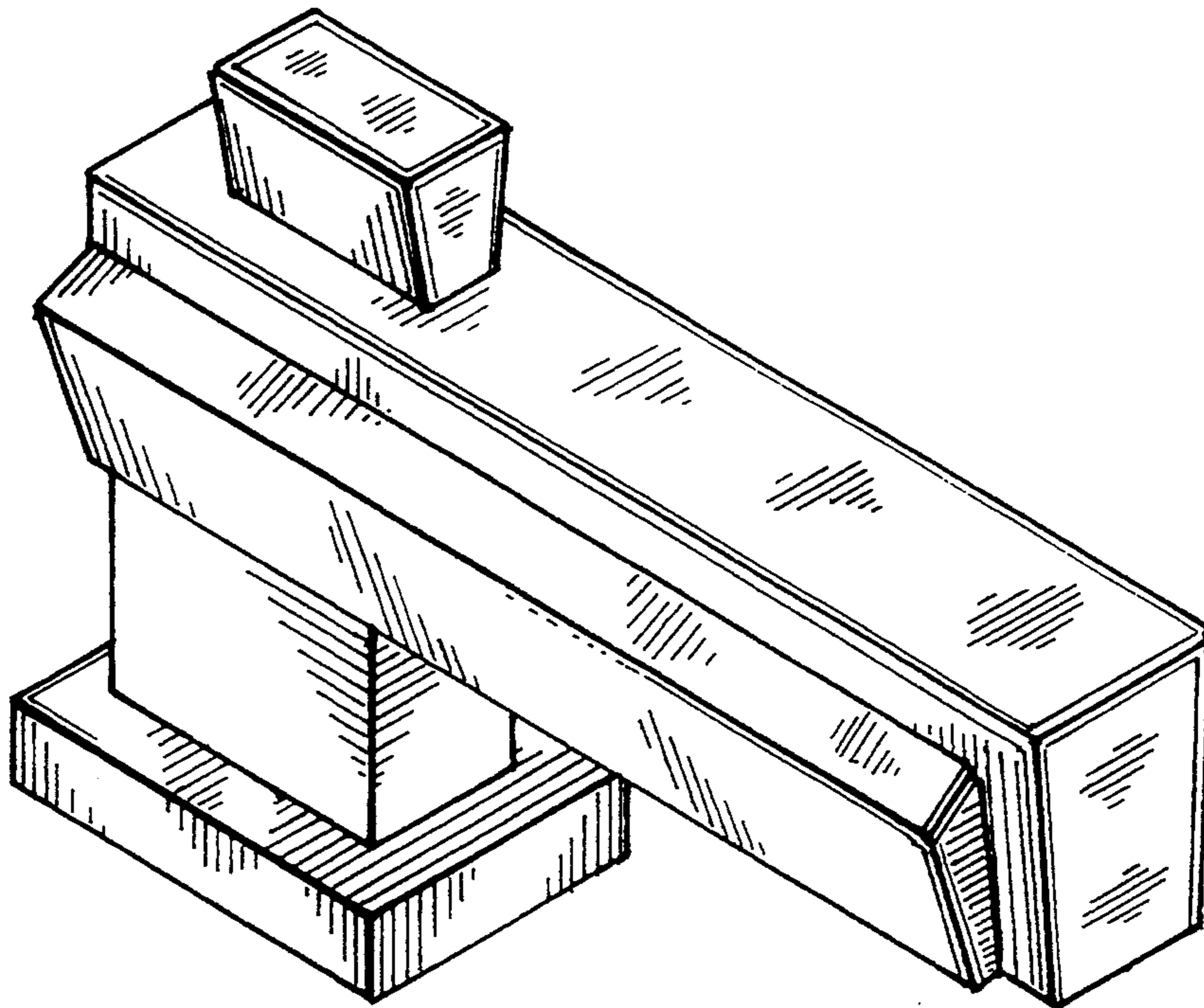
#### U.S. PATENT DOCUMENTS

D. 290,869 7/1987 Paul ..... D23/242

D. 297,970 10/1988 Paul ..... D23/242

D. 301,055 5/1989 Paul ..... D23/242

D. 301,921 6/1989 Paul ..... D23/257



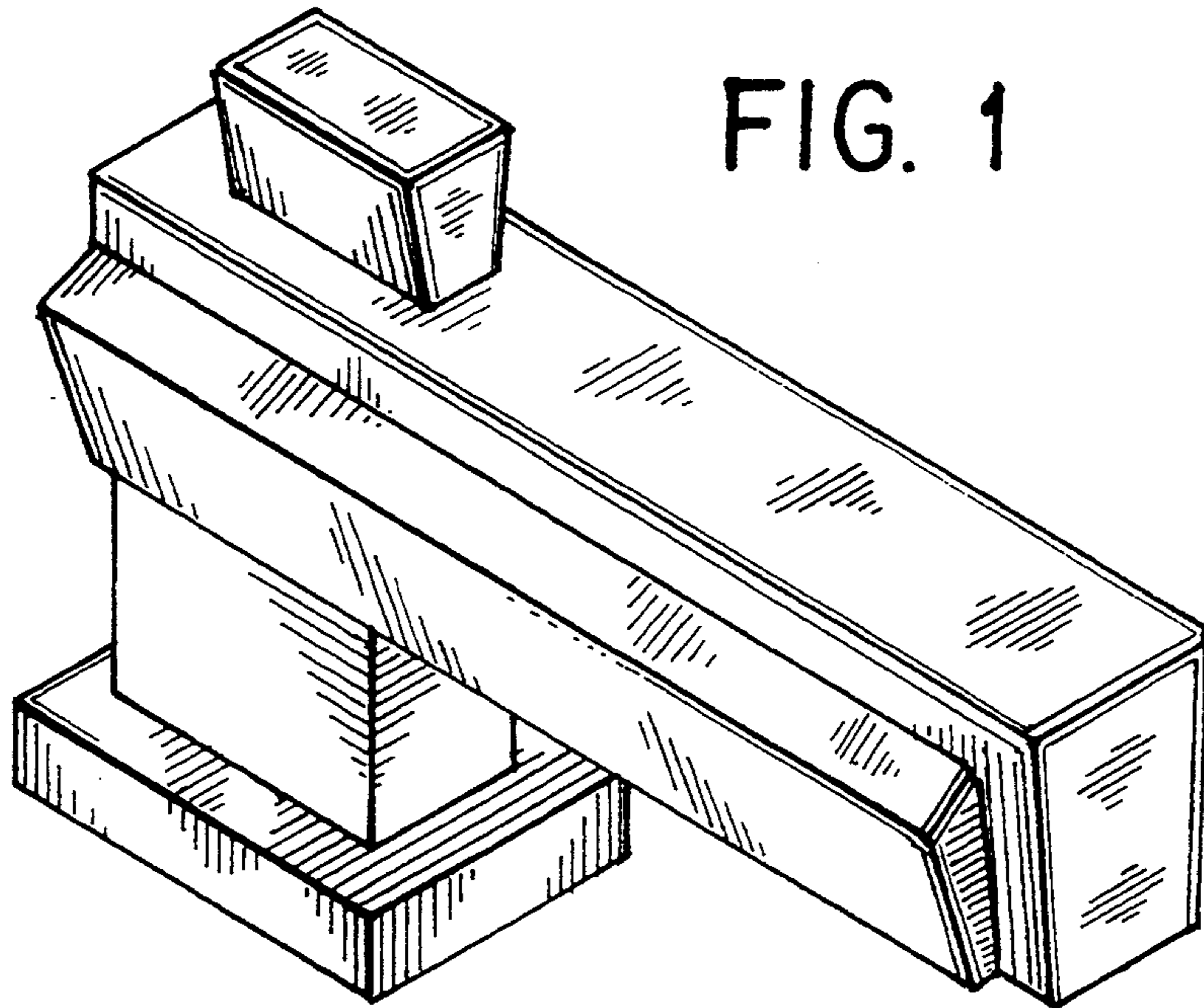


FIG. 1

FIG. 2

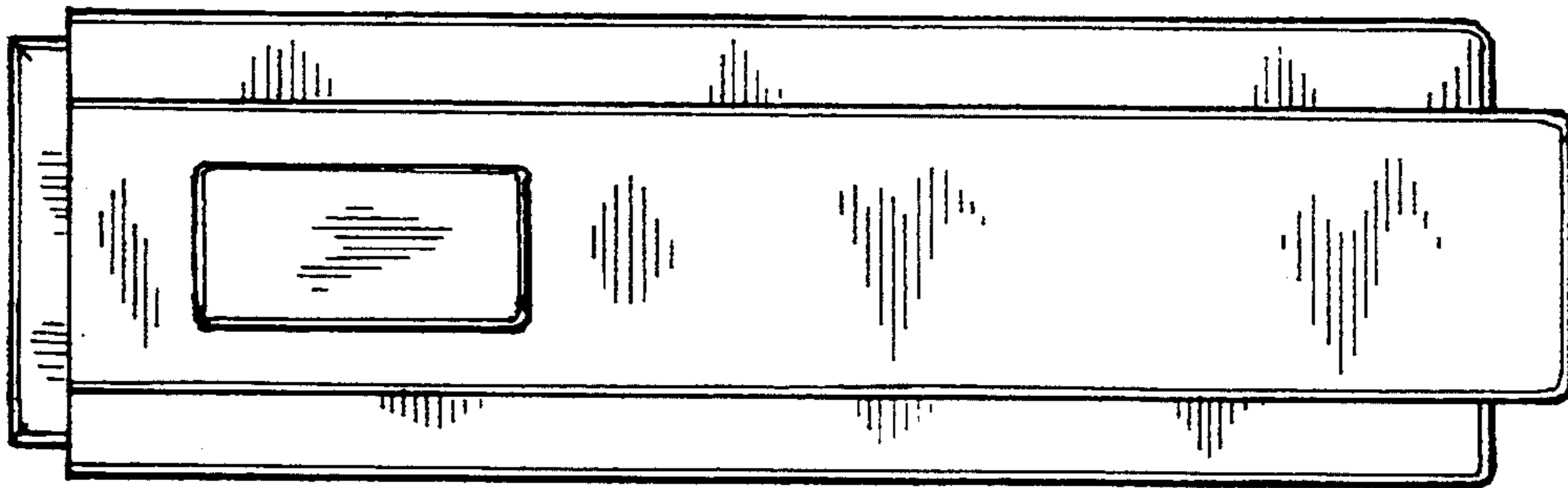


FIG. 3

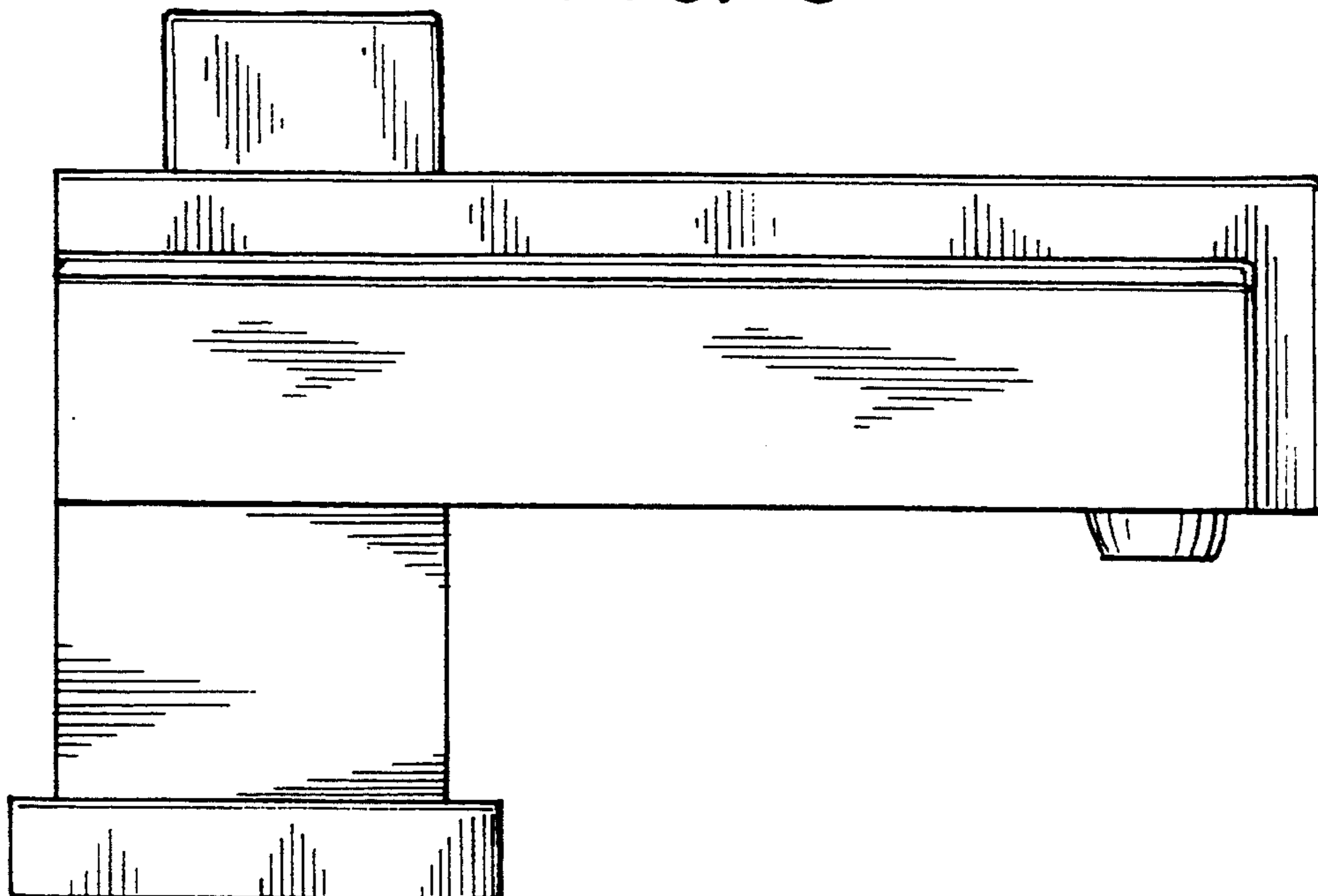


FIG. 4

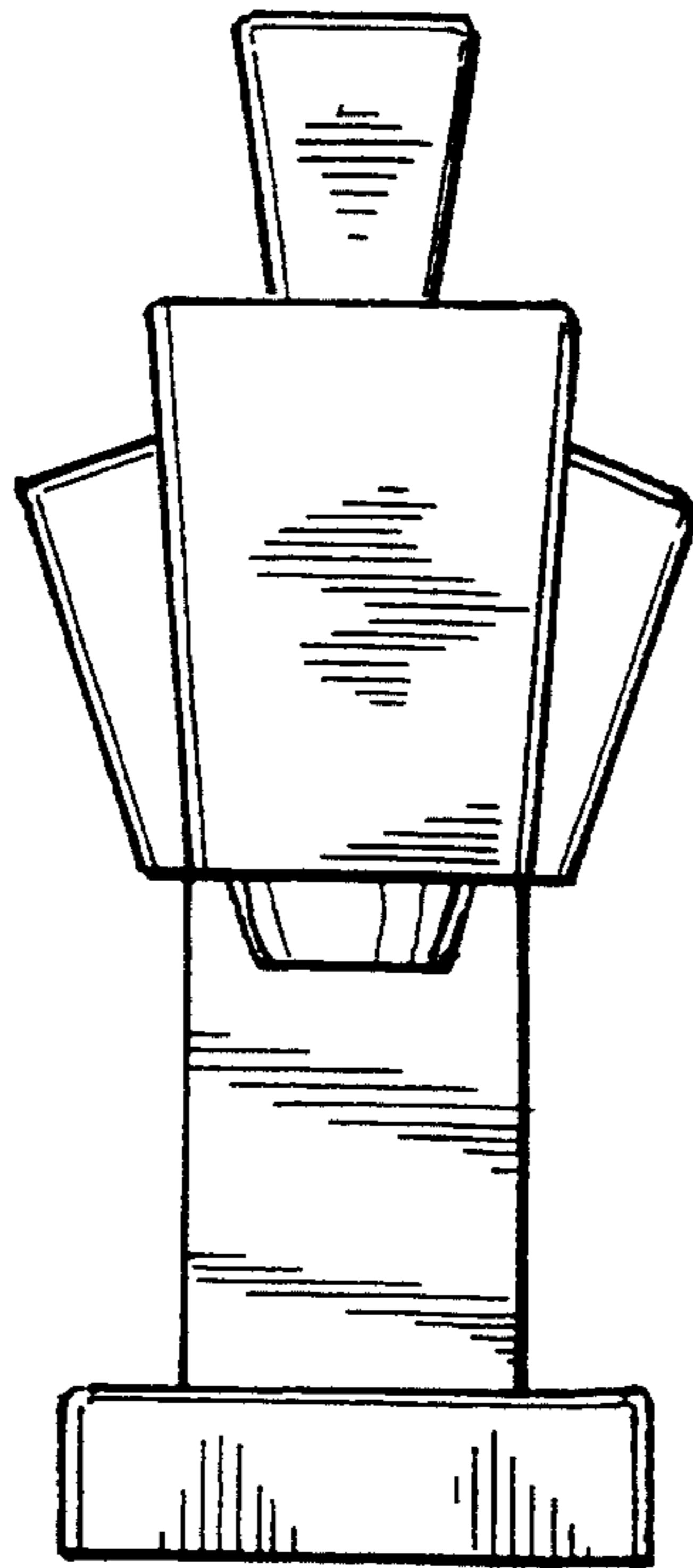


FIG. 5

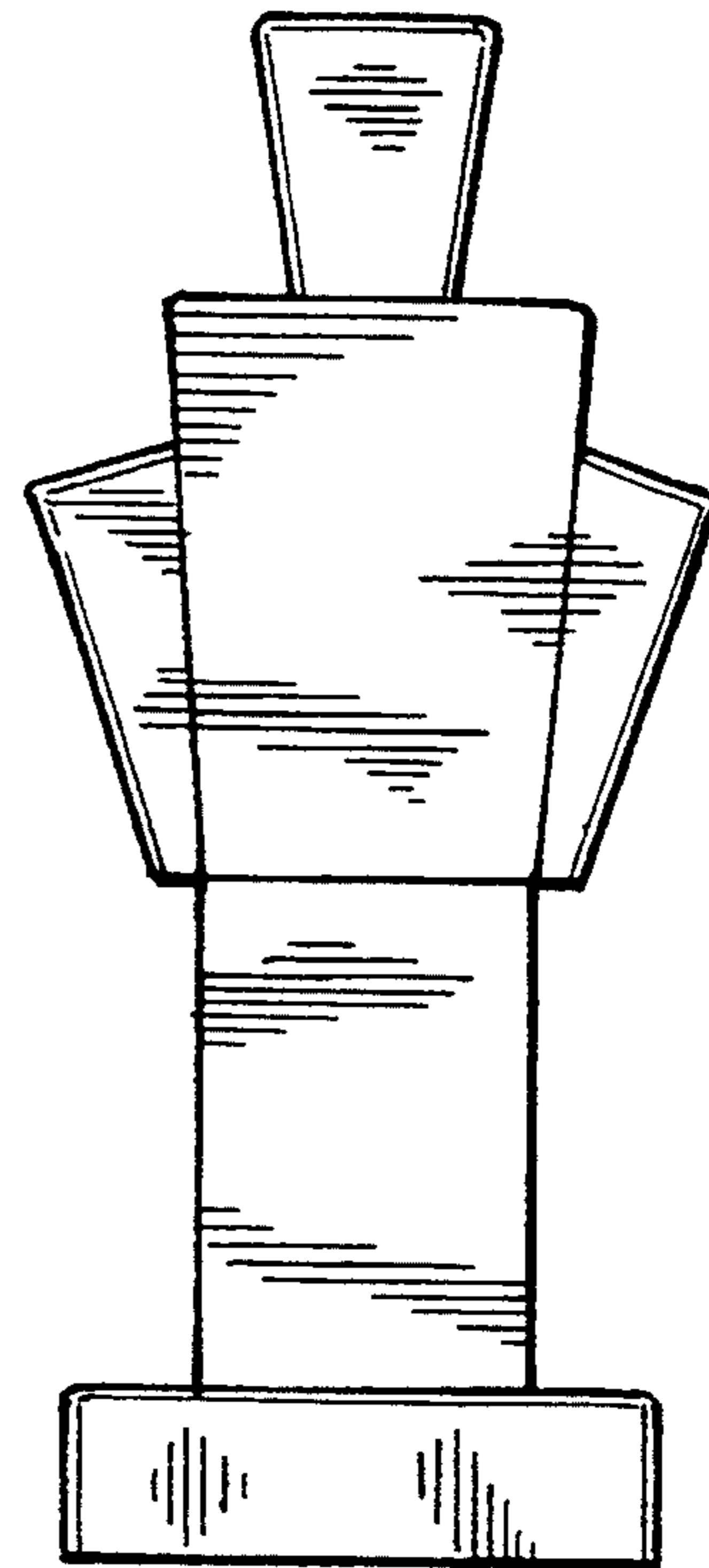


FIG. 6

