



US00D350591S

United States Patent [19]

[11] Patent Number: **Des. 350,591**

Kawakami

[45] Date of Patent: **** Sep. 13, 1994**

[54] **COMBINED FAUCET AND DIVERTER VALVE FOR A WATER FILTER**
[76] Inventor: **Keiko Kawakami**, No. 1820, 1-chome, Ueshima, Hamamatsu-Shi, Shizuoka-Ken, Japan

D. 337,812	7/1992	Bray	D23/238
3,620,241	11/1971	Brown	137/216
3,620,241	11/1971	Brown	137/216
4,134,419	1/1979	Richetti	137/216
4,210,533	7/1980	Astl	137/216 X
4,454,891	6/1984	Dreibelbis	137/216
4,635,673	1/1987	Gerdes	137/216
4,856,559	8/1989	Lipshultz et al.	137/801
5,127,427	7/1992	Kajpust et al.	D23/238

[**] Term: **14 Years**

[21] Appl. No.: **65**

Primary Examiner—James R. Largen
Attorney, Agent, or Firm—Lowe, Price, LeBlanc & Becker

[22] Filed: **Oct. 2, 1992**

[52] U.S. Cl. **D23/238**

[58] Field of Search 4/675-678, 4/623; 137/606, 625.17, 801, 216; D23/238-243, 250-254

[57] CLAIM

The ornamental design of a combined faucet and diverter valve for a water filter, as shown.

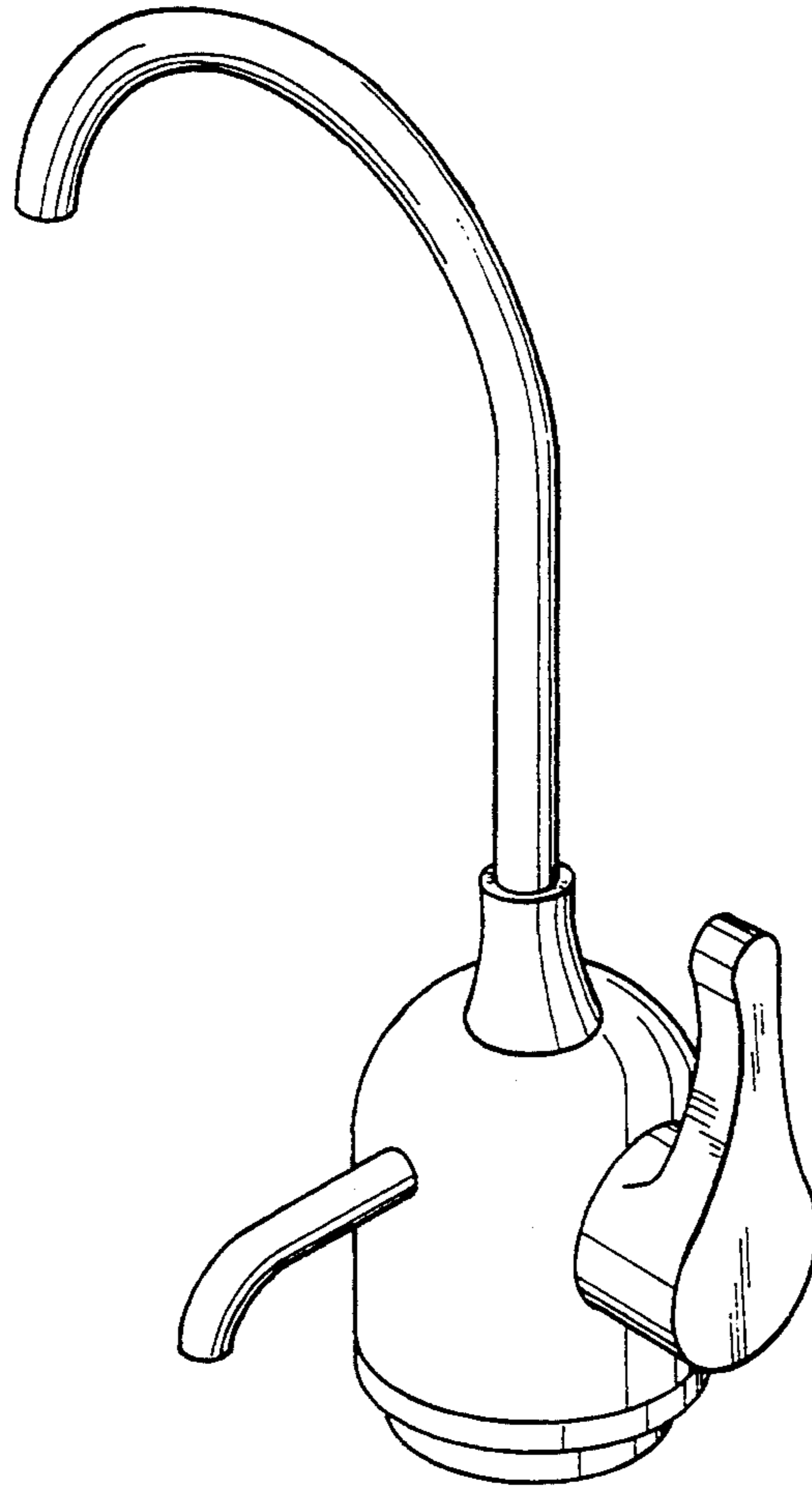
[56] References Cited

DESCRIPTION

U.S. PATENT DOCUMENTS

D. 243,240	2/1977	Dreibelbis	D23/241
D. 254,801	4/1980	Santi	D23/238
D. 255,595	6/1980	Lampe	D23/238
D. 268,608	4/1983	Wilcock	D23/238
D. 326,708	6/1992	Williams	D23/238
D. 326,897	6/1992	Williams	D23/238
D. 327,117	6/1992	Williams	D23/238
D. 327,529	6/1992	Dannenberg	D23/238
D. 327,731	7/1992	Kajpust et al.	D23/238

FIG. 1 is a perspective view of a combined faucet and diverter valve for a water filter showing my new design;
FIG. 2 is a front elevational view thereof;
FIG. 3 is a rear elevational view thereof;
FIG. 4 is a top plan view thereof;
FIG. 5 is a bottom plan view thereof;
FIG. 6 is a left side elevational view thereof; and,
FIG. 7 is a right side elevational view thereof.



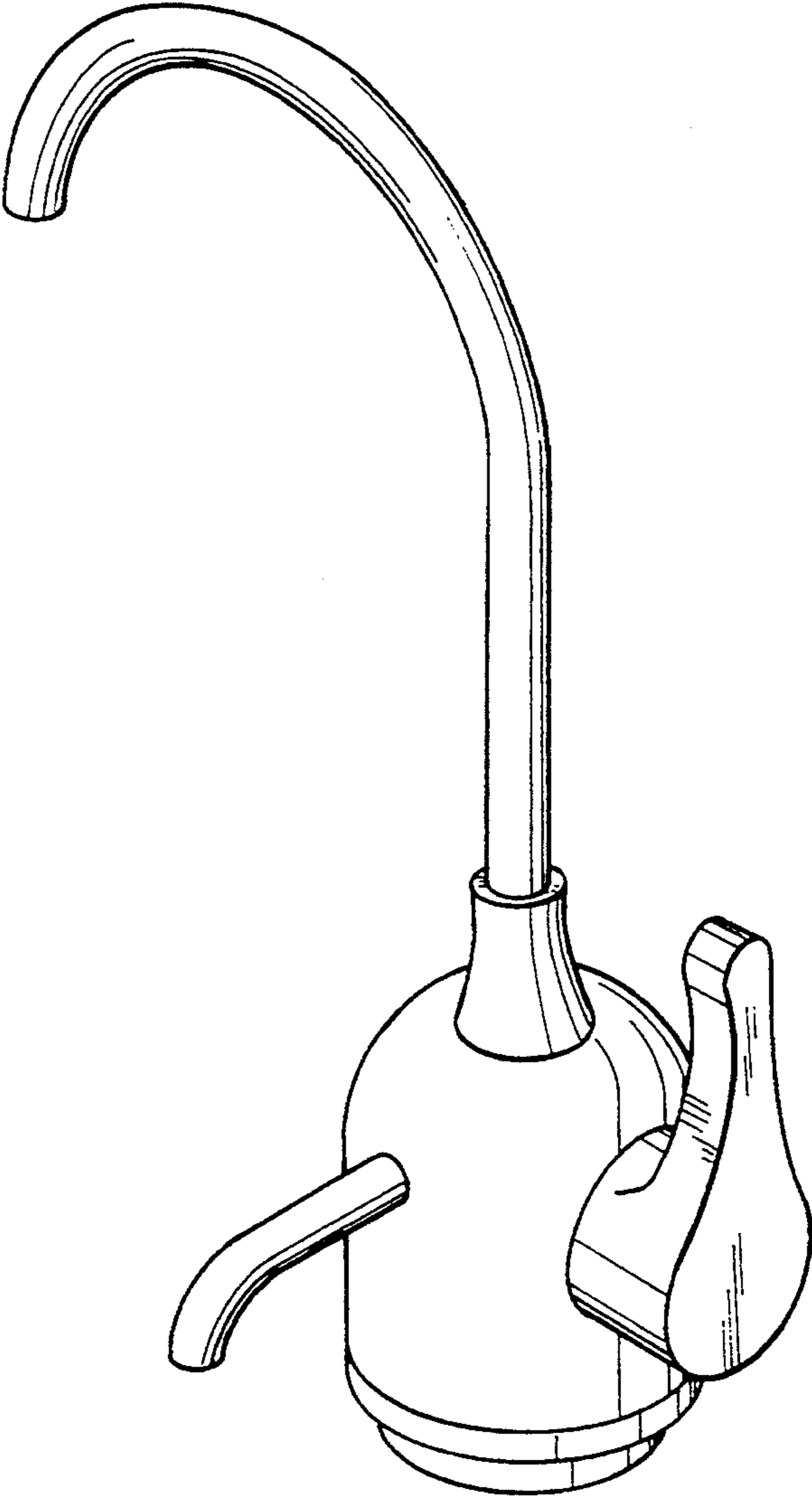


Fig. 1

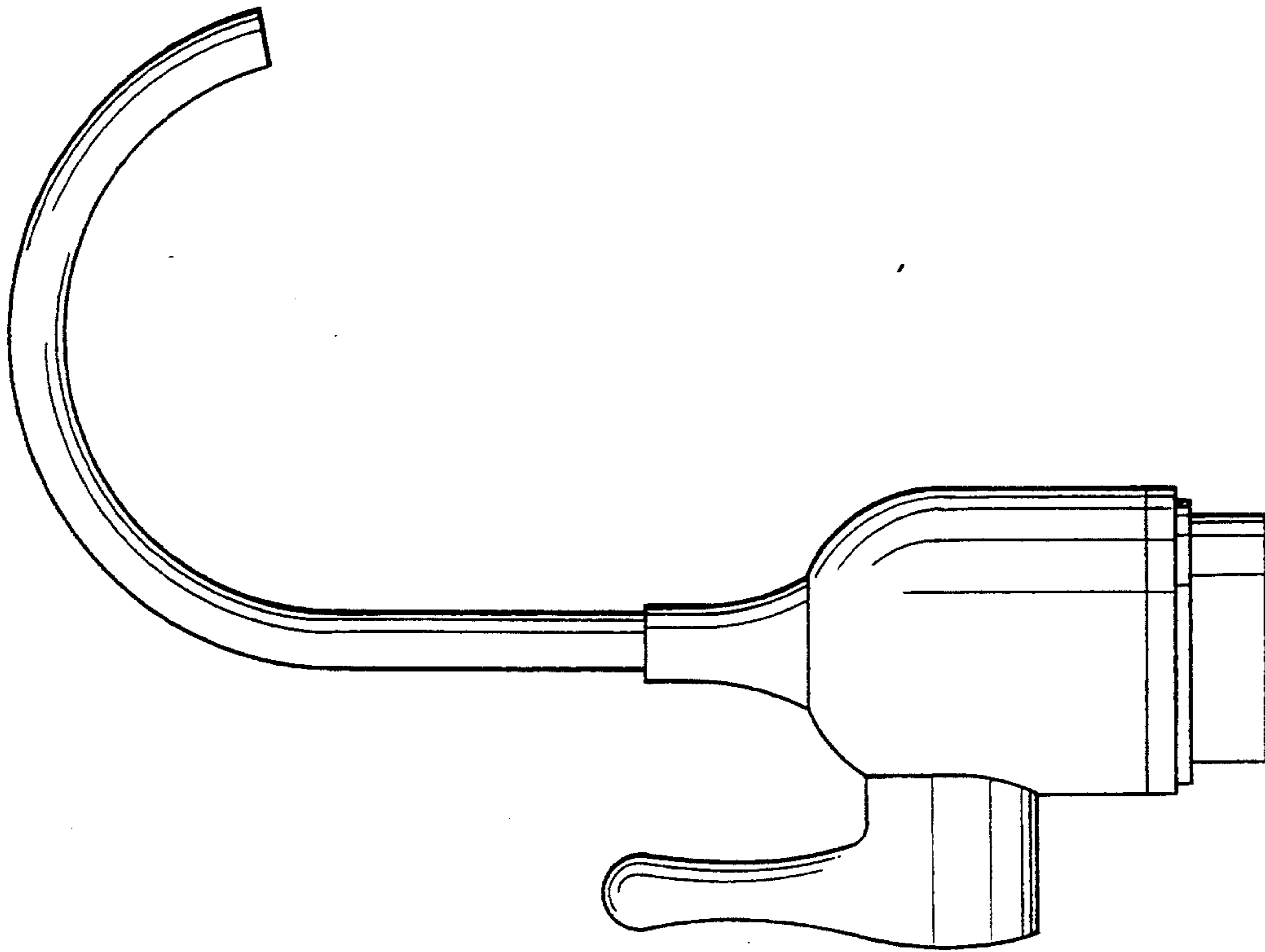


Fig. 3

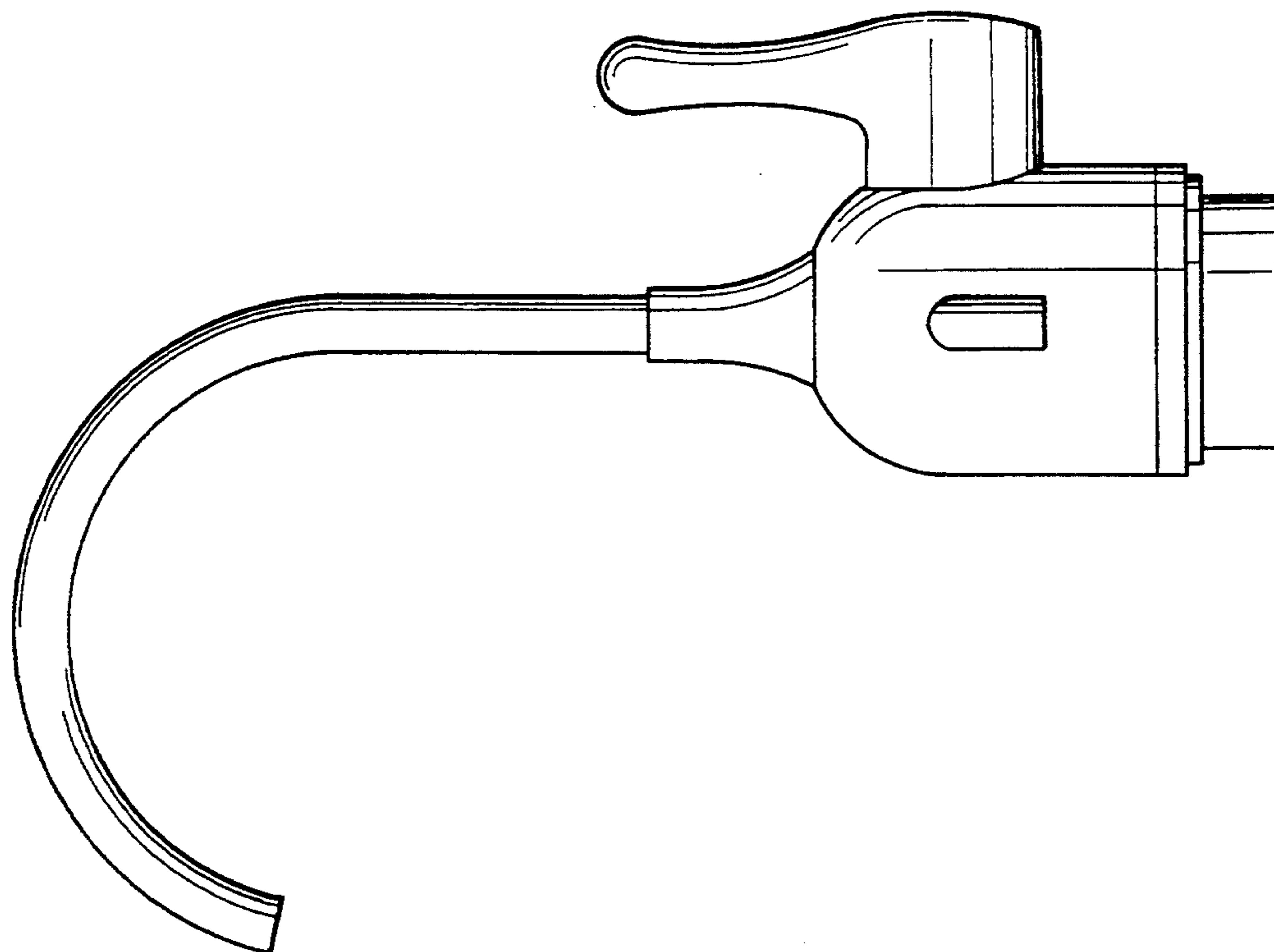


Fig. 2

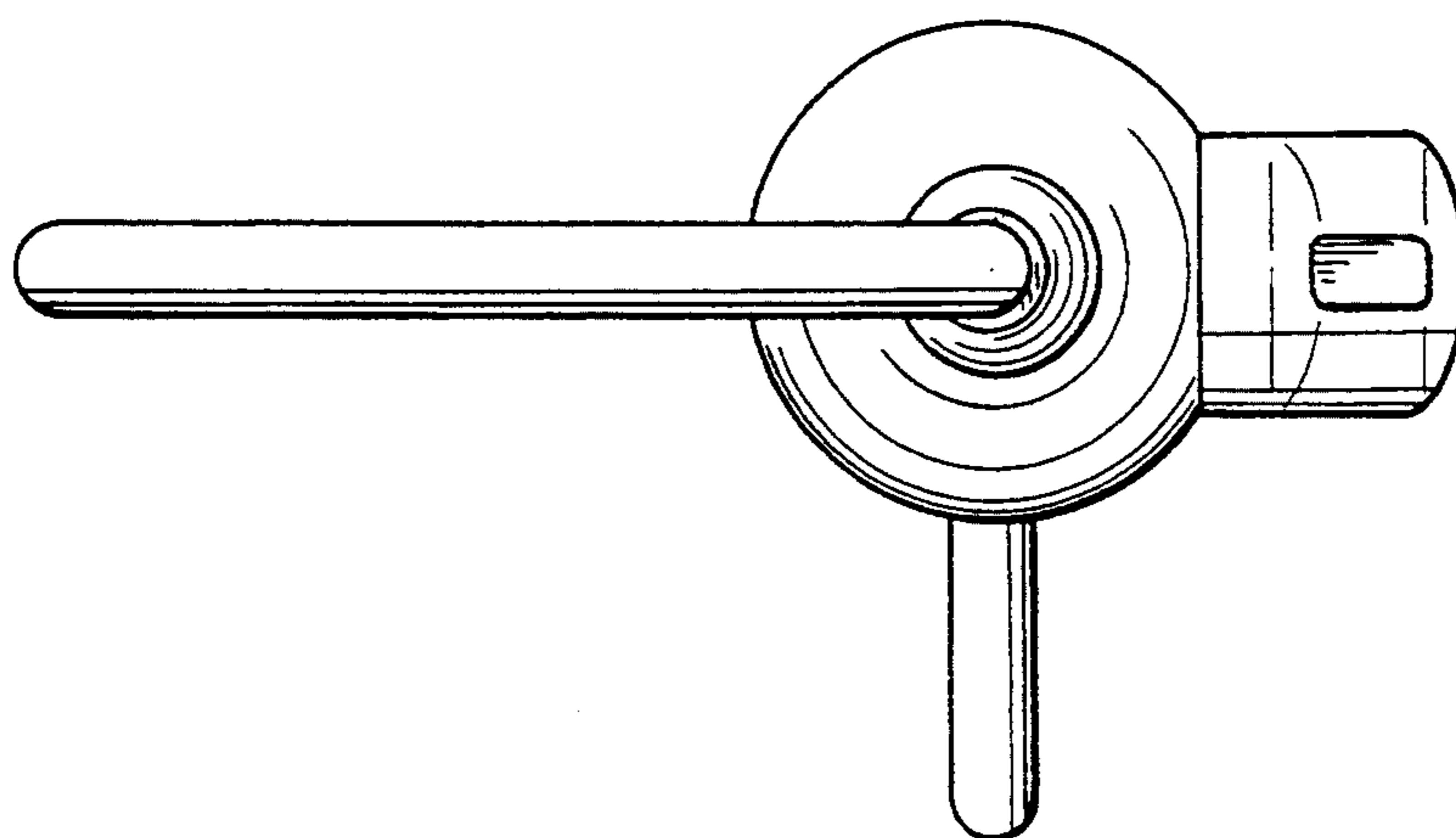


Fig. 4

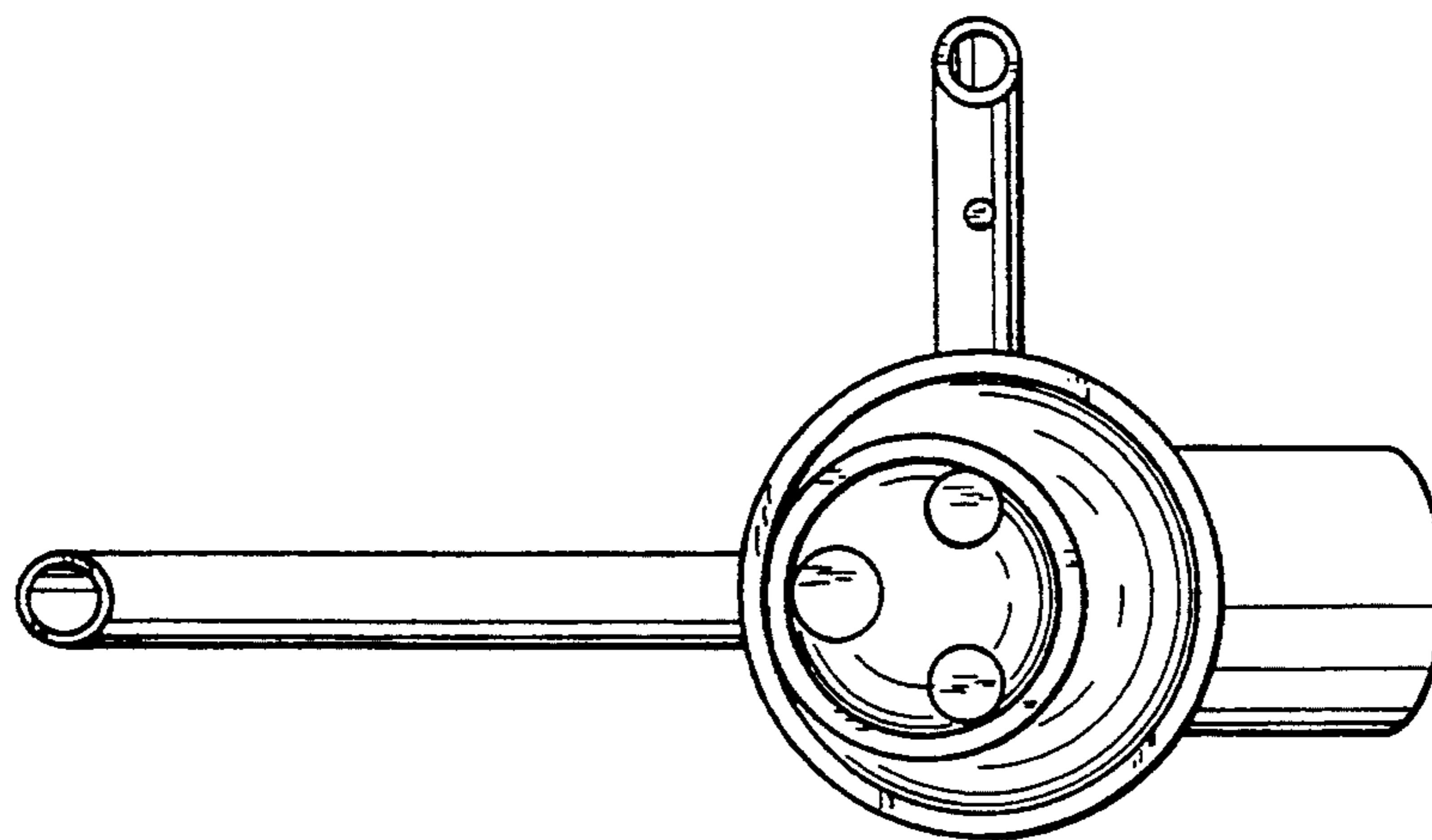


Fig. 5

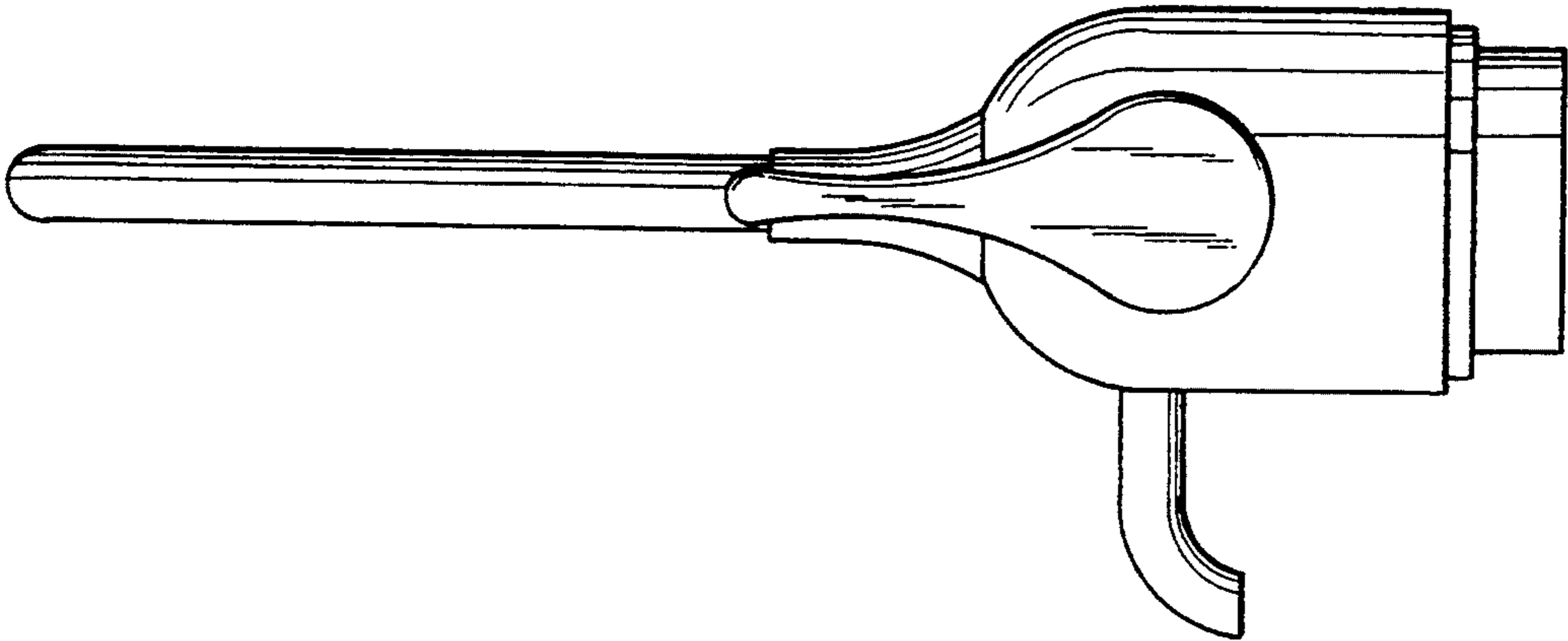


Fig. 7

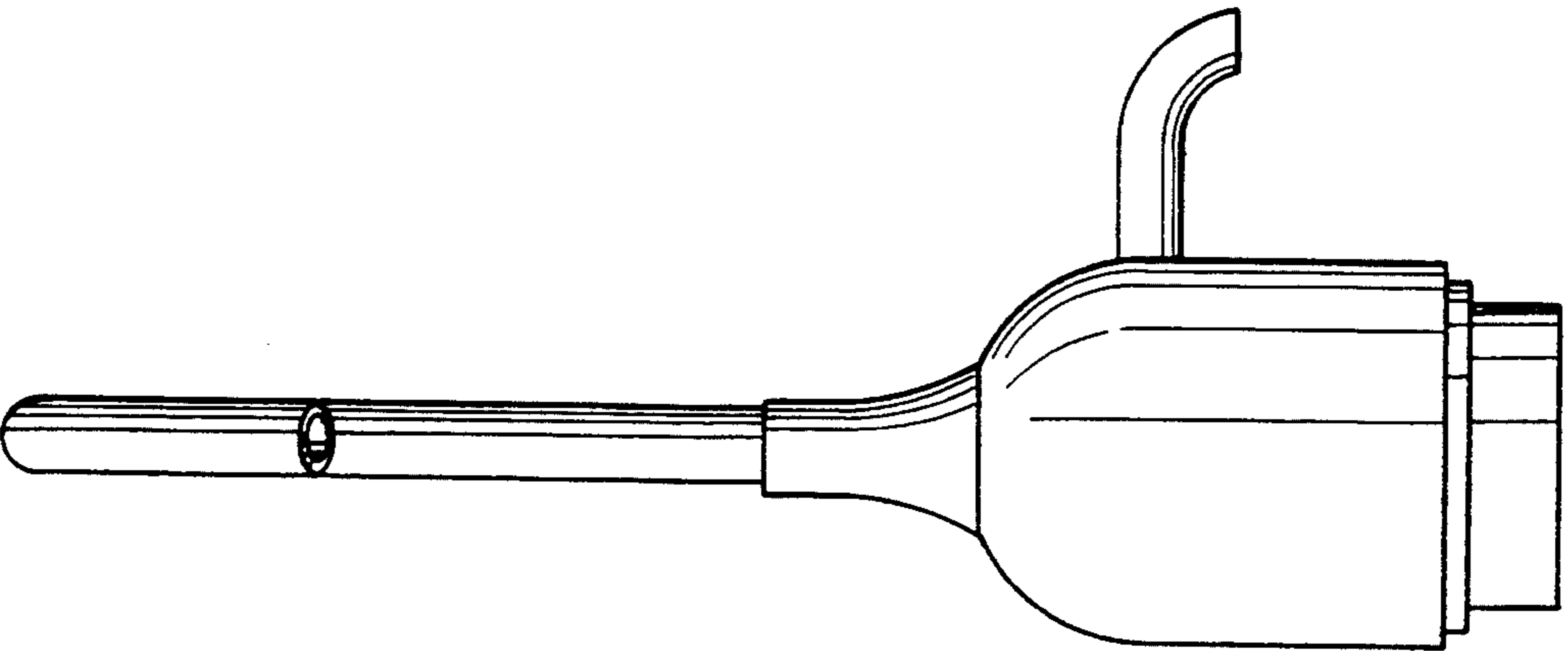


Fig. 6