



US00D350587S

United States Patent [19]

[11] Patent Number: Des. 350,587

Storz

[45] Date of Patent: ** Sep. 13, 1994

[54] FISHING REEL

[75] Inventor: Achim Storz, Zell Am See, Austria

[73] Assignee: Abu Garcia Produktion AB, Svangsta, Sweden

[**] Term: 14 Years

[21] Appl. No.: 6,222

[22] Filed: Mar. 19, 1993

[52] U.S. Cl. D22/141

[58] Field of Search 242/224, 230-233, 242/245, 246, 257-262, 279; D22/141

[56] **References Cited**

U.S. PATENT DOCUMENTS

- D. 329,271 9/1992 Shiozaki D22/141
- D. 336,677 6/1993 Shiozaki D22/141

Primary Examiner—A. Hugo Word

Assistant Examiner—Doris V. Coles
Attorney, Agent, or Firm—Browdy and Neimark

[57] **CLAIM**

The ornamental design for a fishing reel, as shown and described.

DESCRIPTION

FIG. 1 is a perspective view showing the top side, the left side and the rear side of the fishing reel;
 FIG. 2 is a perspective view showing the underside, the right side and the front of a fishing reel according to the present invention;
 FIG. 3 is a bottom plan view of the fishing reel according to the invention;
 FIG. 4 is a rear elevational view of the fishing reel;
 FIG. 5 is a front elevational view of the fishing reel;
 FIG. 6 is a left side elevational view of the fishing reel;
 FIG. 7, is a right side elevational view of the fishing reel; and,
 FIG. 8 is a top plan view of the fish reel.

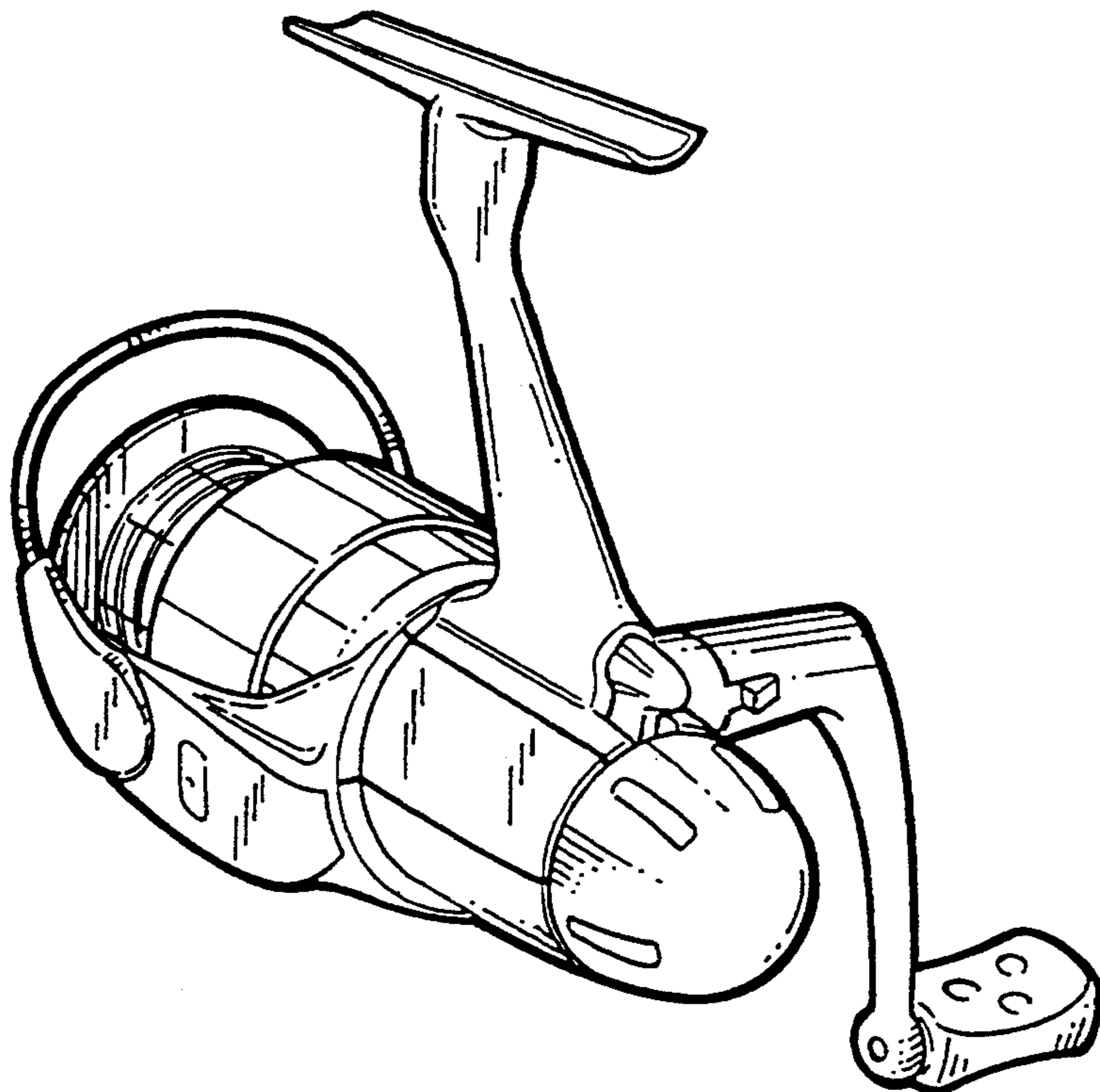


FIG.1

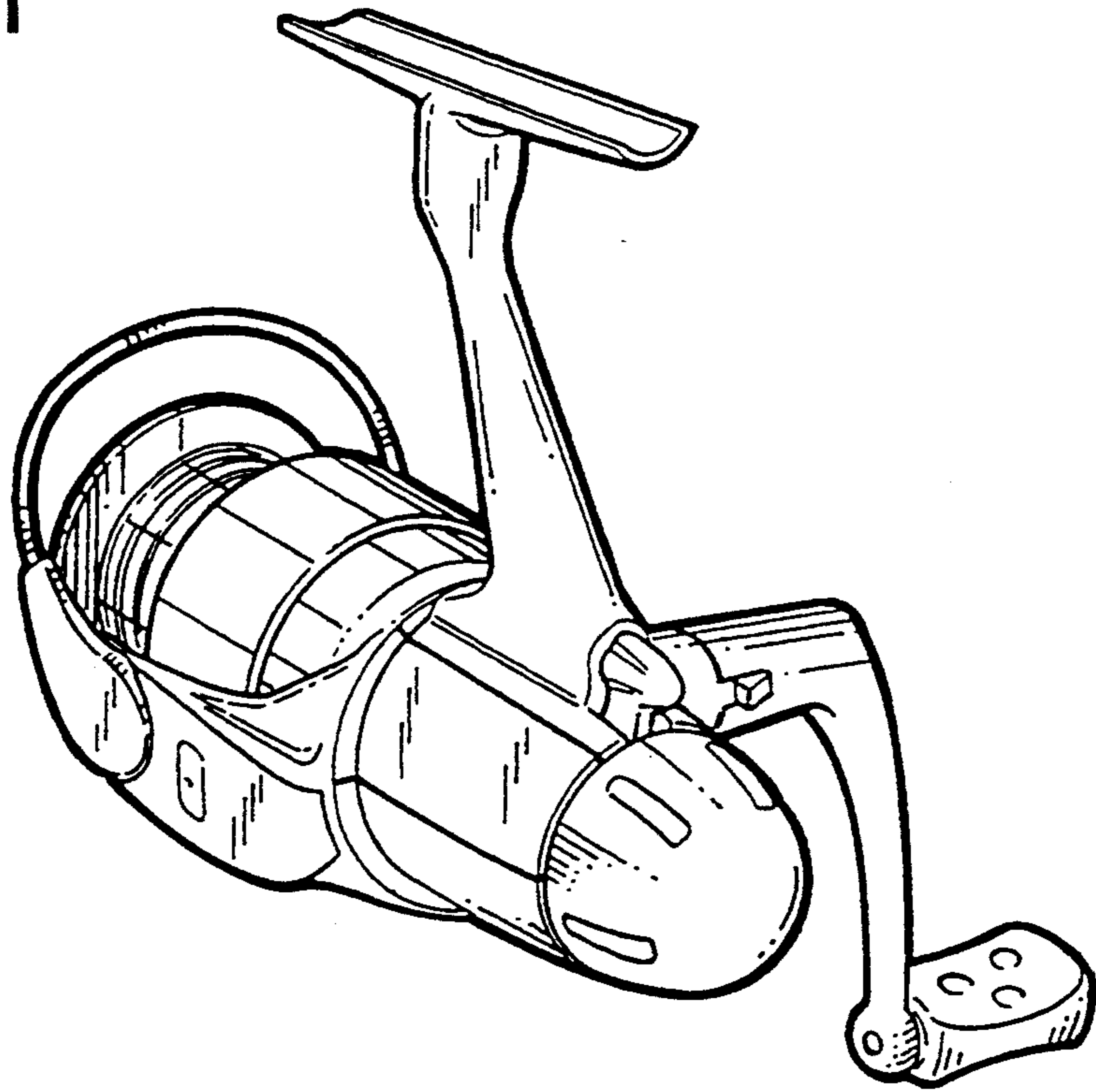


FIG.2

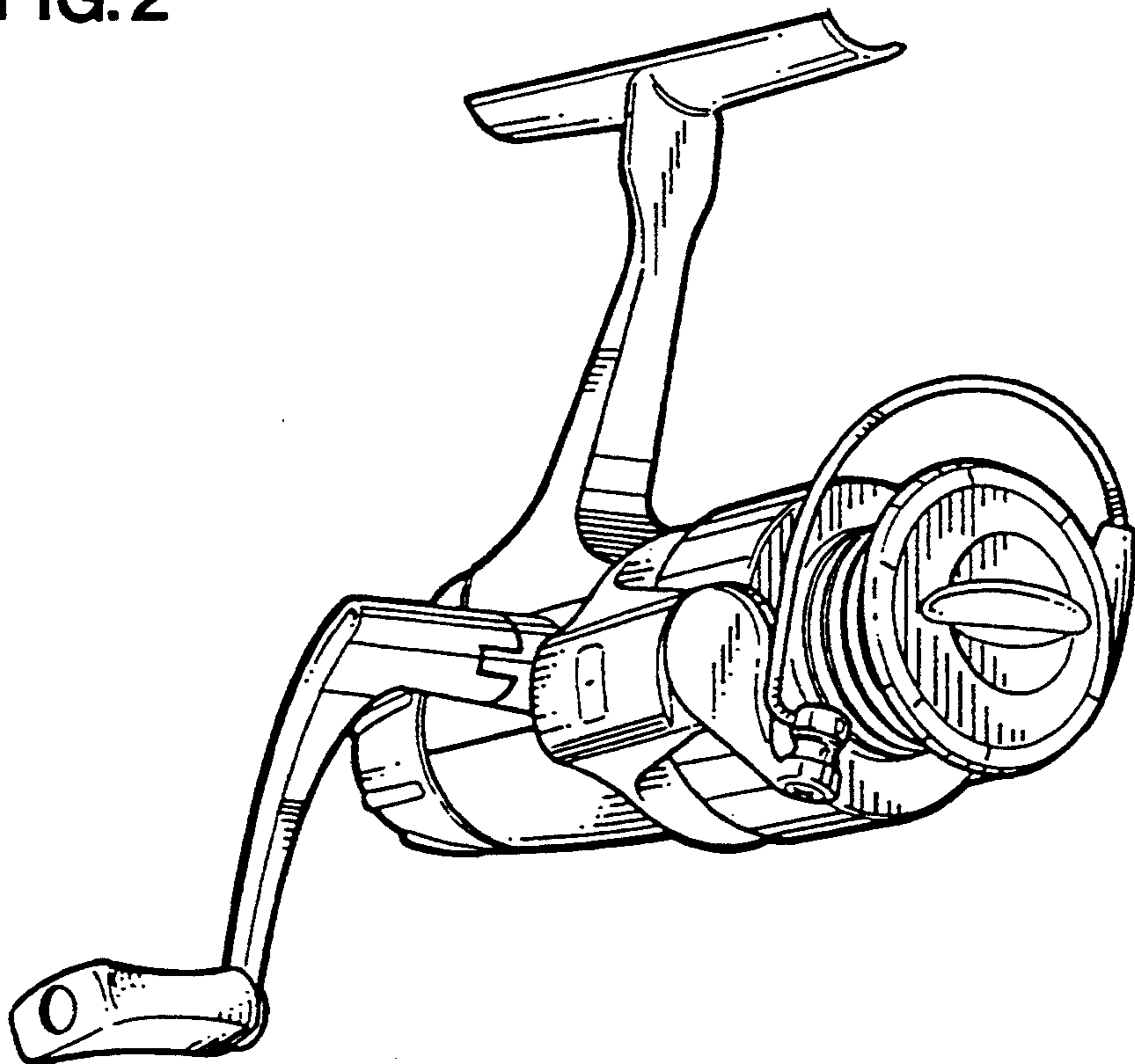


FIG.3

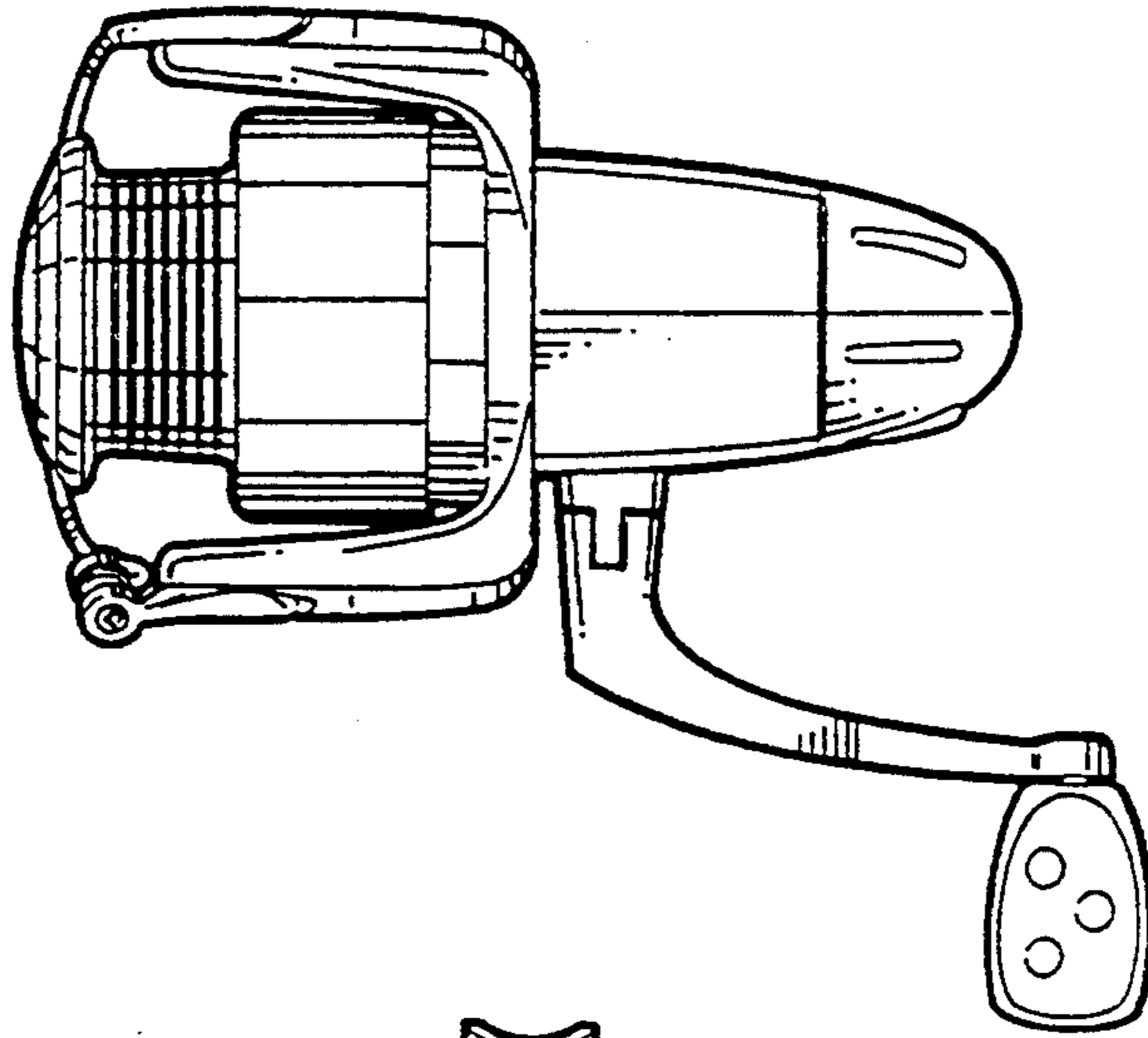


FIG.4

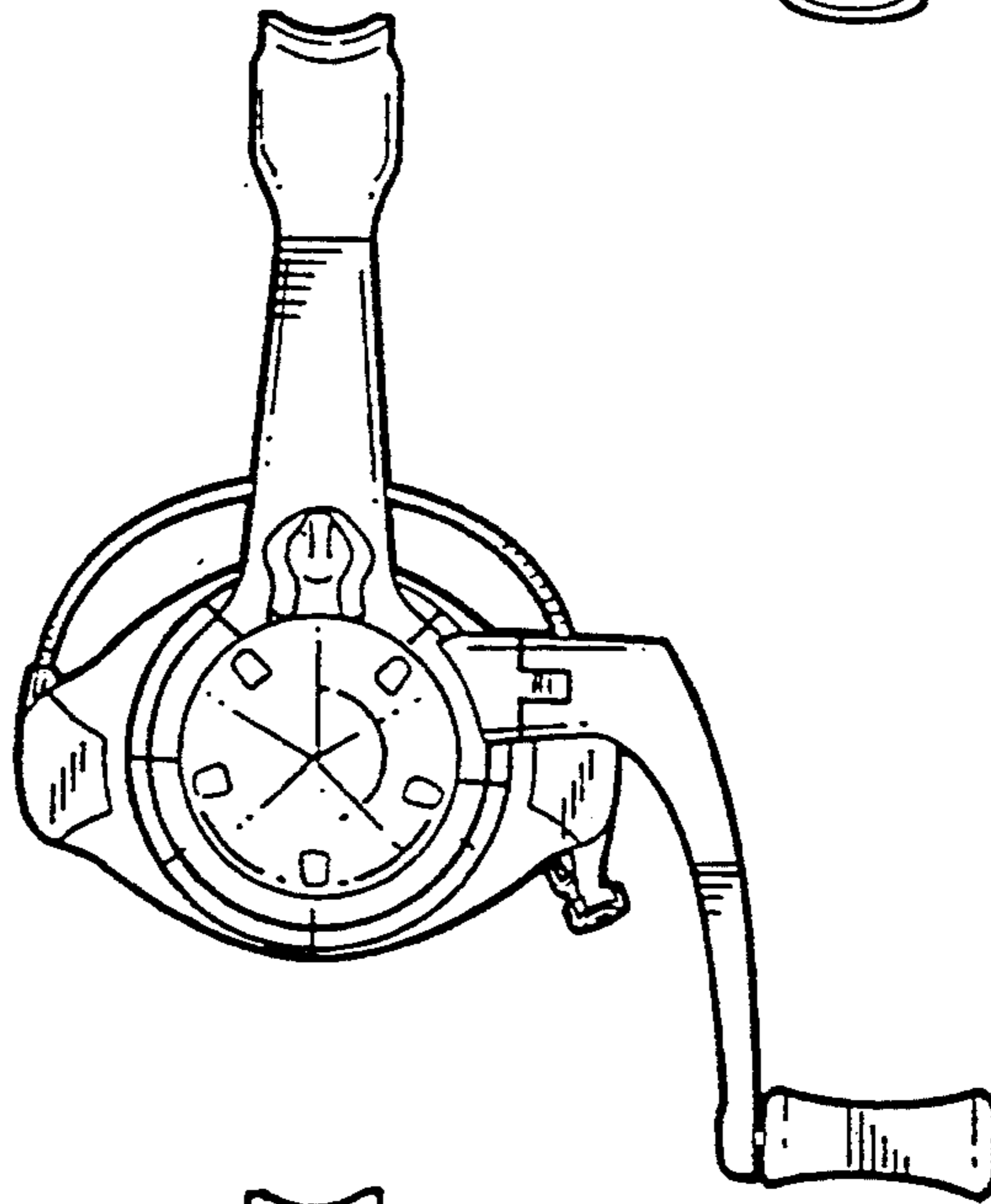


FIG.5

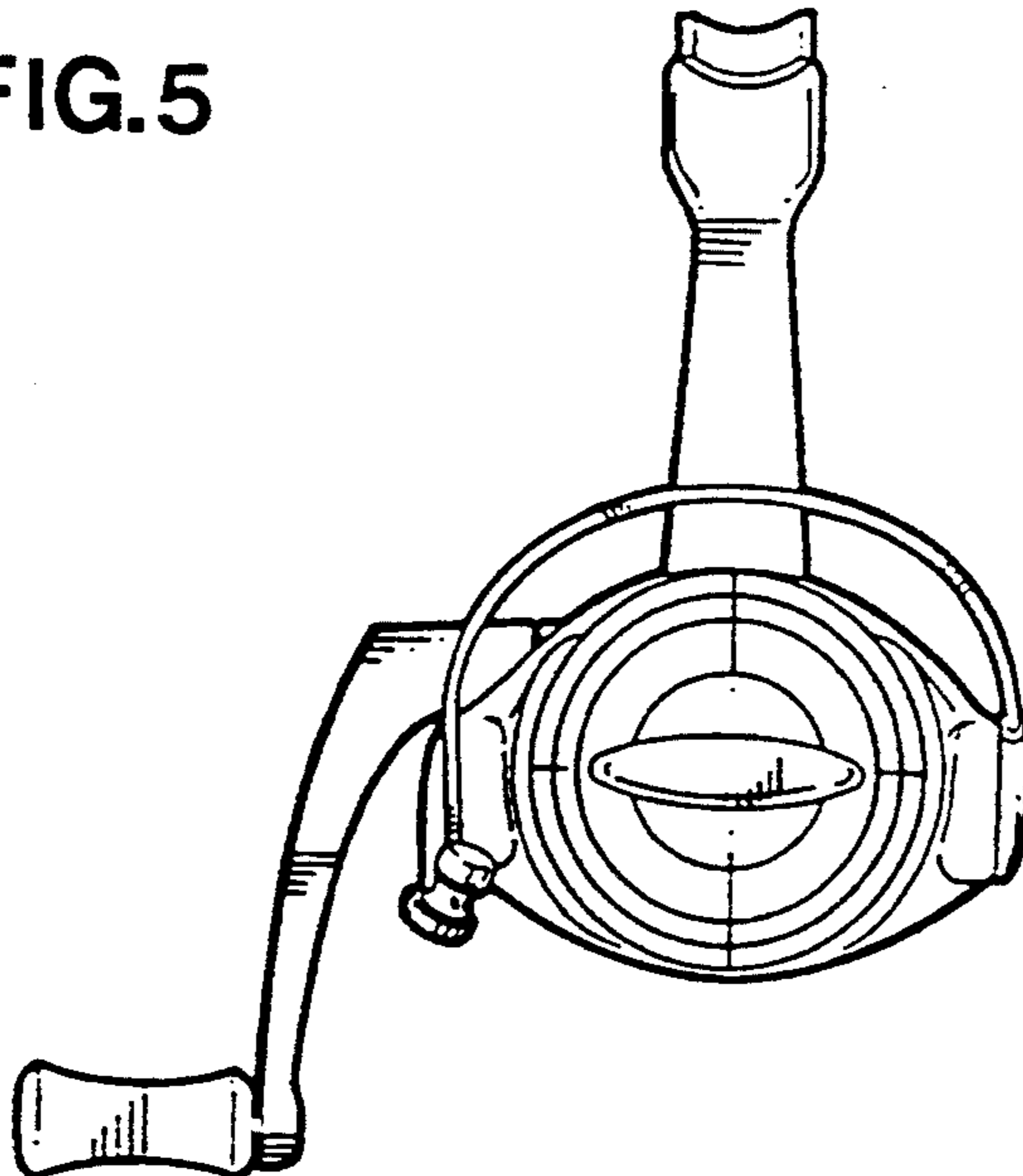


FIG.6

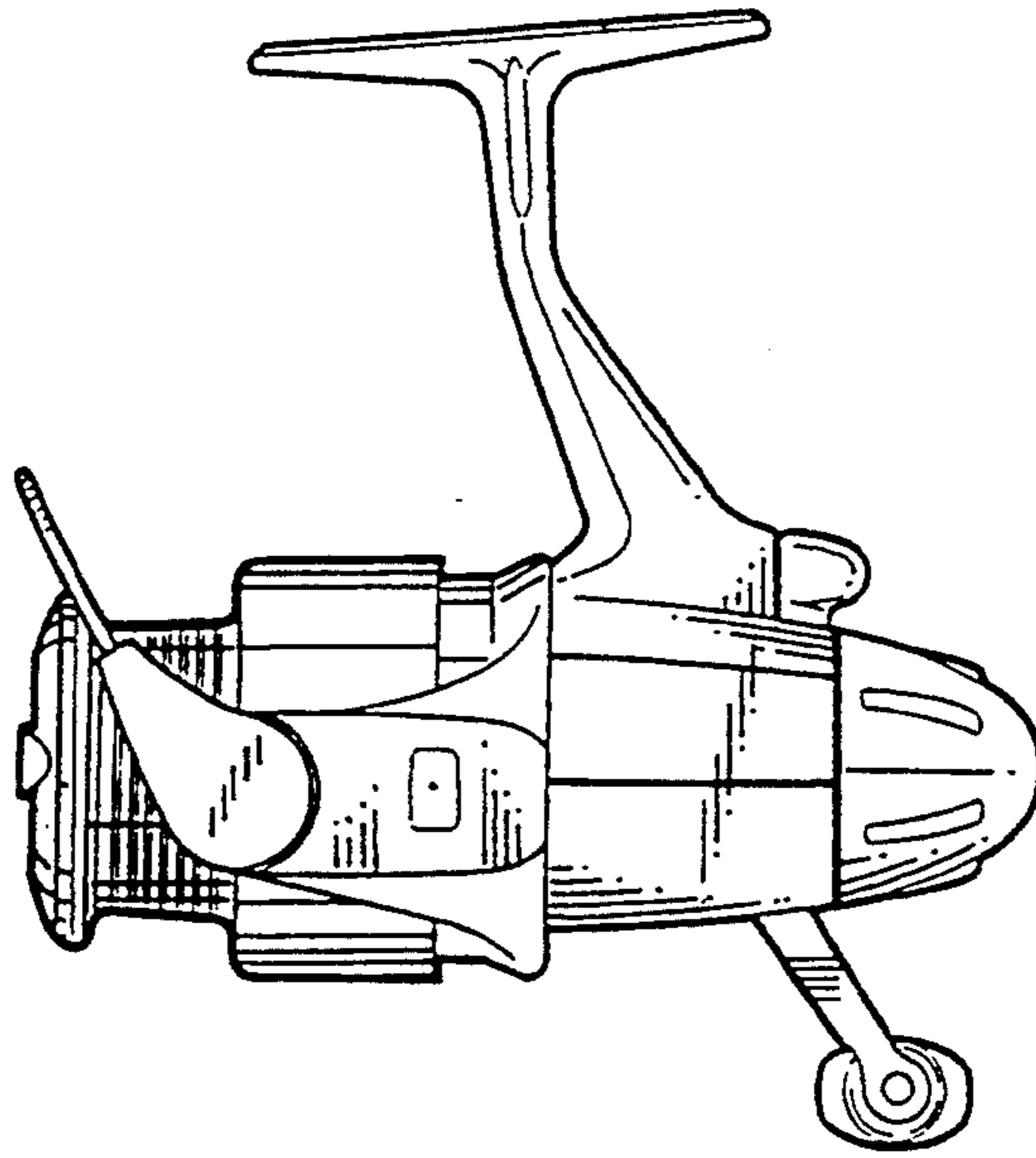


FIG.7

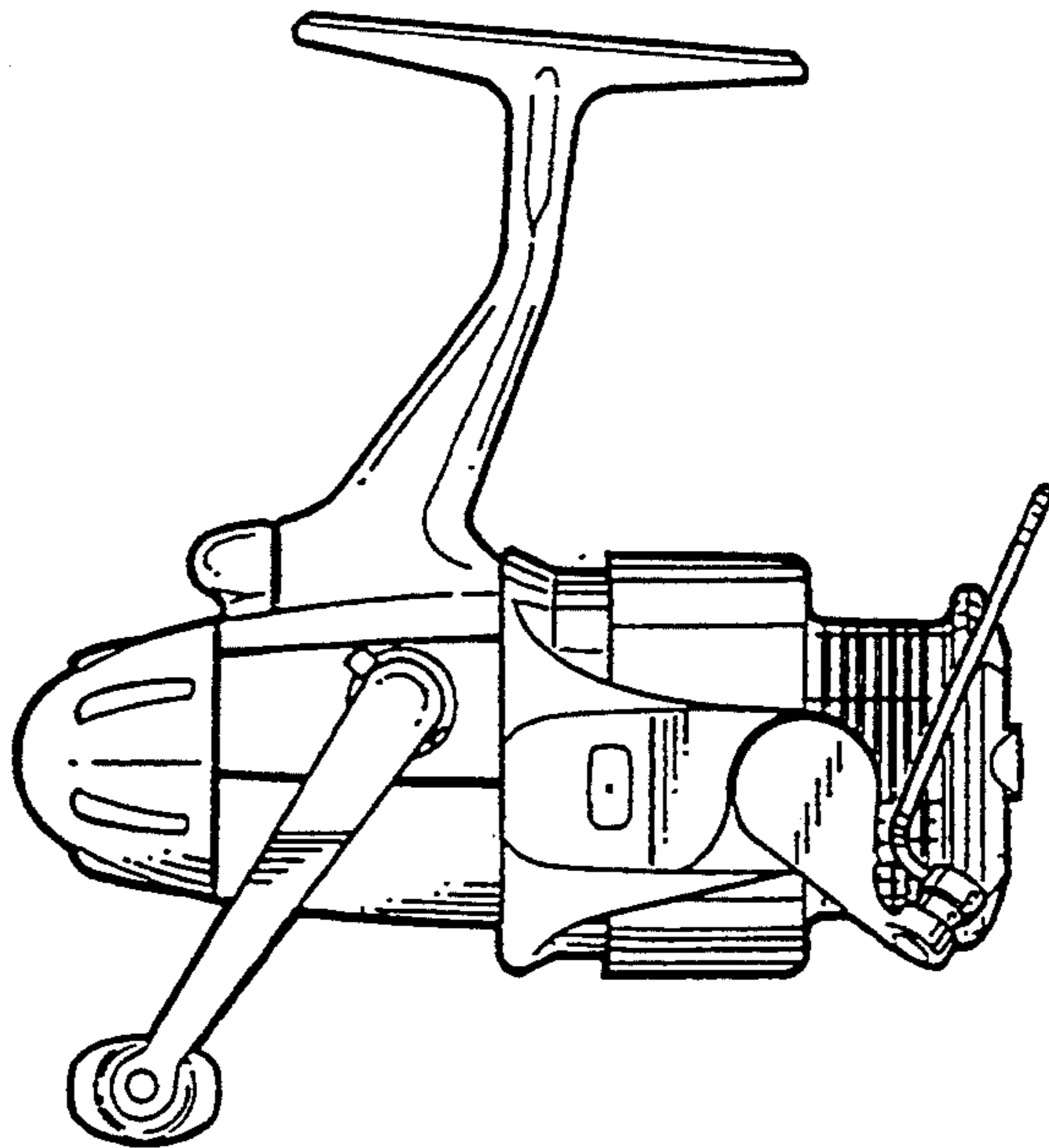


FIG.8

