



US00D350583S

United States Patent [19]
Boone

[11] **Patent Number: Des. 350,583**
[45] **Date of Patent: ** Sep. 13, 1994**

[54] **GOLF CLUB PUTTER HEAD**

[75] **Inventor: David D. Boone**, El Toro, Calif.
[73] **Assignee: Lynx Golf, Inc.**, City of Industry, Calif.
[*] **Notice:** The portion of the term of this patent subsequent to Dec. 13, 2004 has been disclaimed.
[**] **Term: 14 Years**

[21] **Appl. No.: 34,263**
[22] **Filed: Apr. 6, 1987**
[52] **U.S. Cl. D21/219**
[58] **Field of Search 273/163, 167-175, 273/77, 78 R; D21/214-220**

[56] **References Cited**
U.S. PATENT DOCUMENTS
D. 193,096 6/1962 Green, Jr. D21/217
D. 209,524 12/1967 Mader D21/215
D. 238,285 12/1975 Ross D21/217

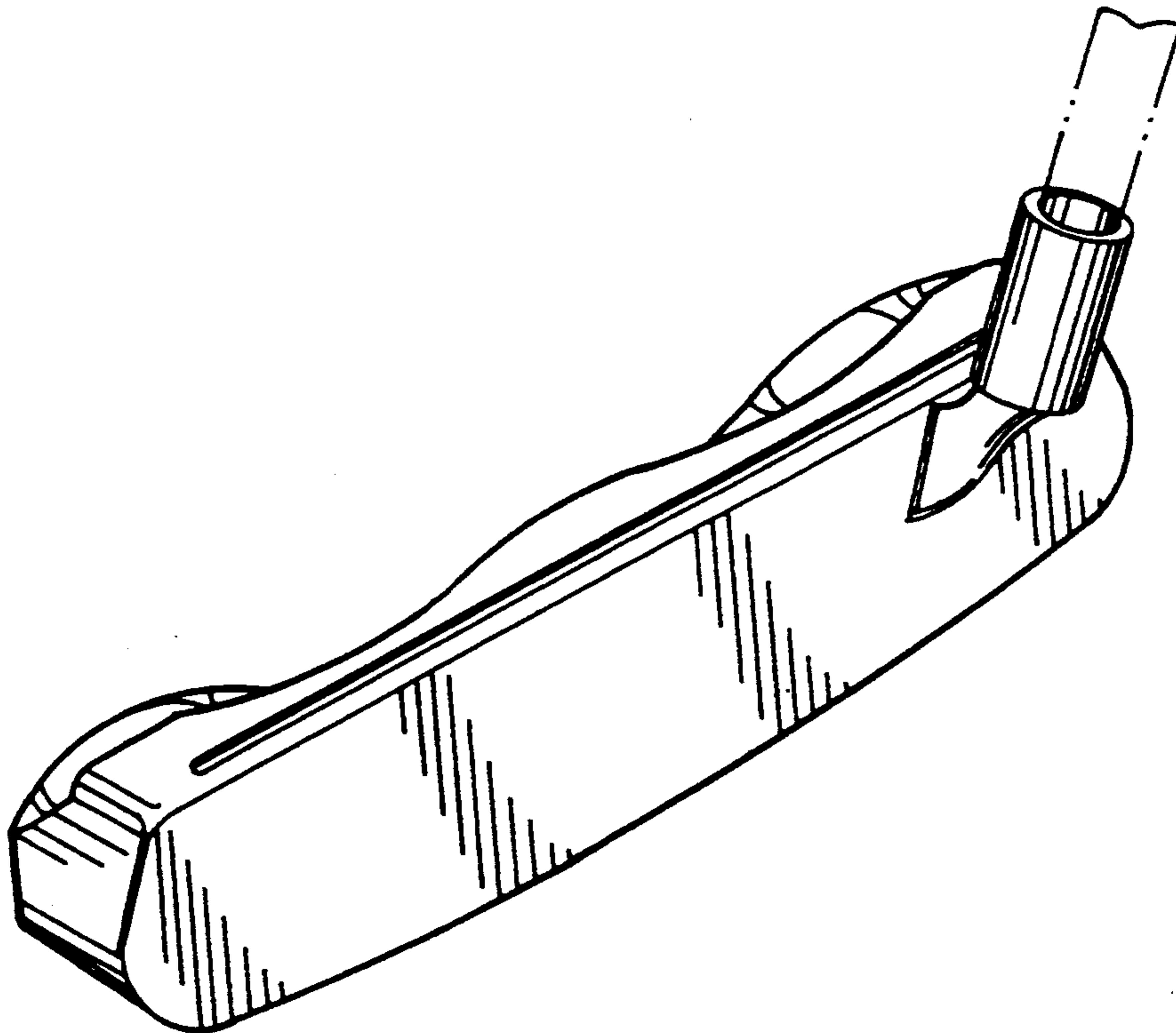
OTHER PUBLICATIONS

Spalding 1971 Golf Professional Cat., p. 30, putters No. 3191-73 and 3191-74.
Primary Examiner—Melvin B. Feifer
Attorney, Agent, or Firm—Flam & Flam

[57] **CLAIM**
The ornamental design for a golf club putter head, as shown and described.

DESCRIPTION

FIG. 1 is a front perspective view of a golf club putter head showing my new design;
FIG. 2 is a top plan view thereof;
FIG. 3 is a rear elevation view thereof;
FIG. 4 is a front elevation view thereof;
FIG. 5 is a bottom plan view thereof;
FIG. 6 is a toe end view thereof; and,
FIG. 7 is a heel end view.
The broken line showing of a shaft portion is for illustrative purposes only.



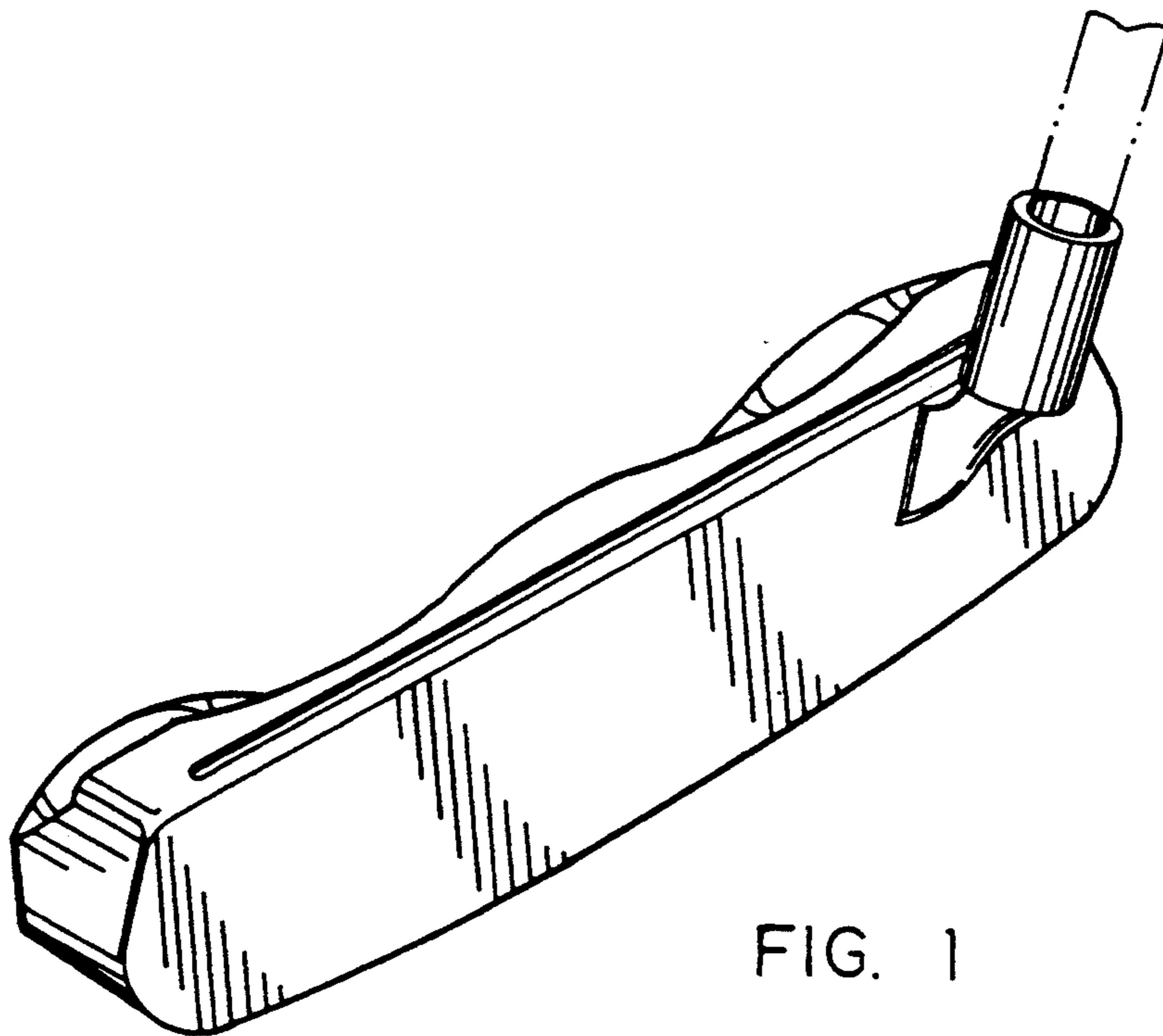


FIG. 1

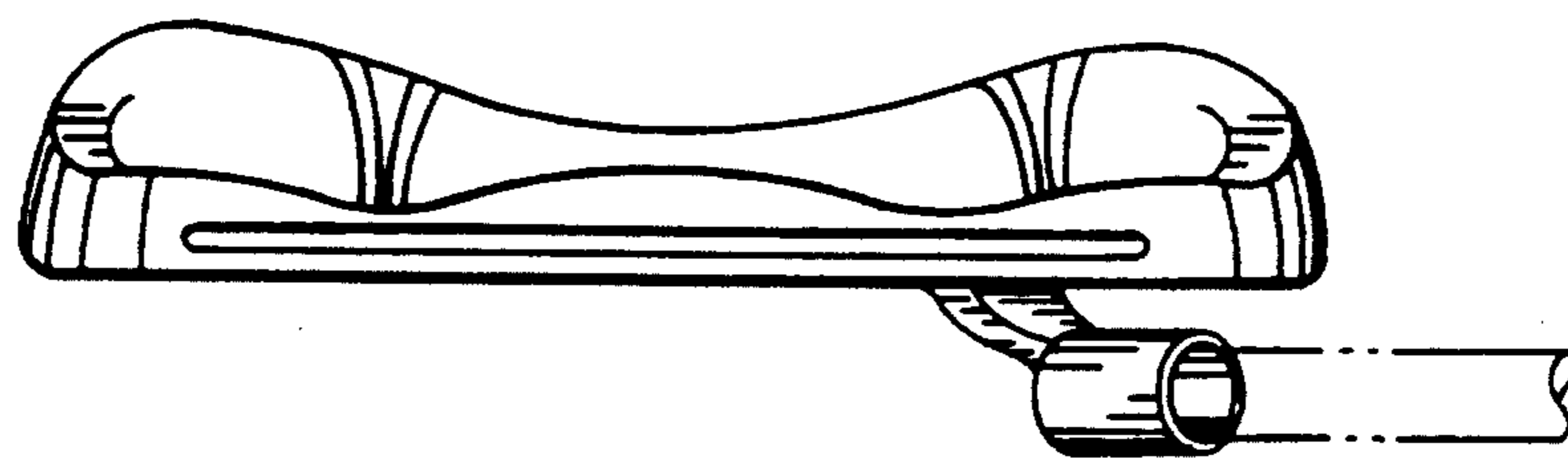


FIG. 2

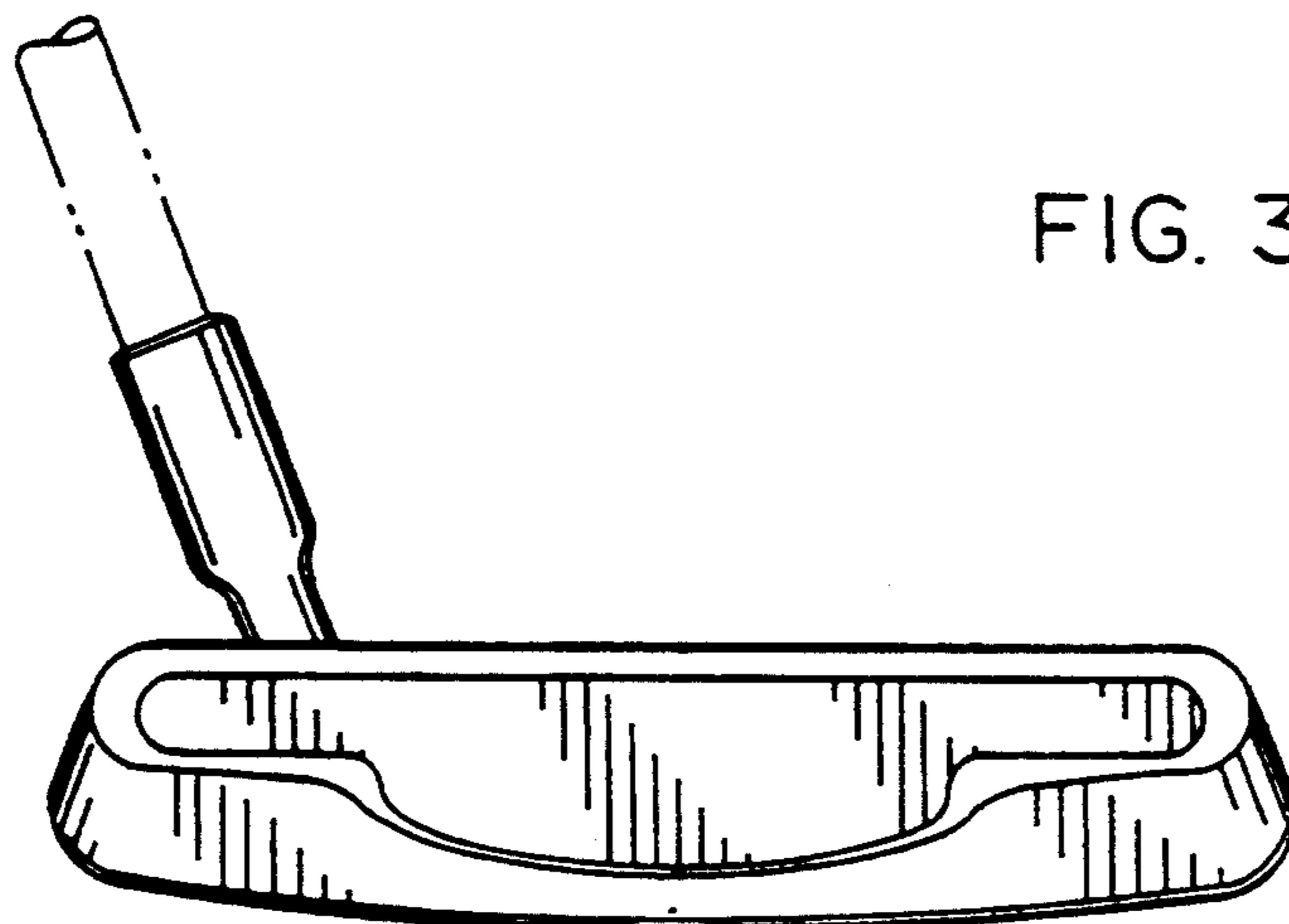


FIG. 3

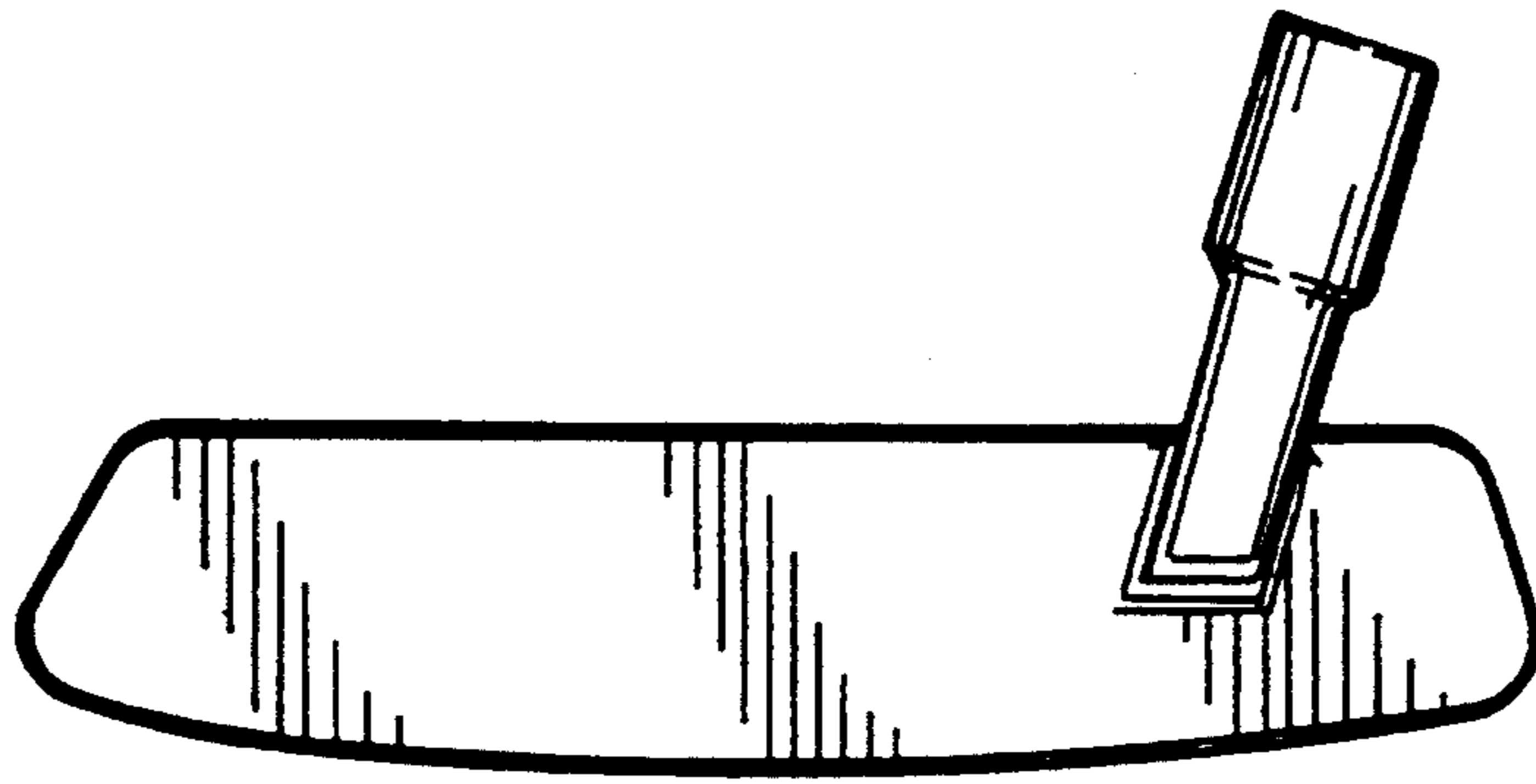


FIG. 4

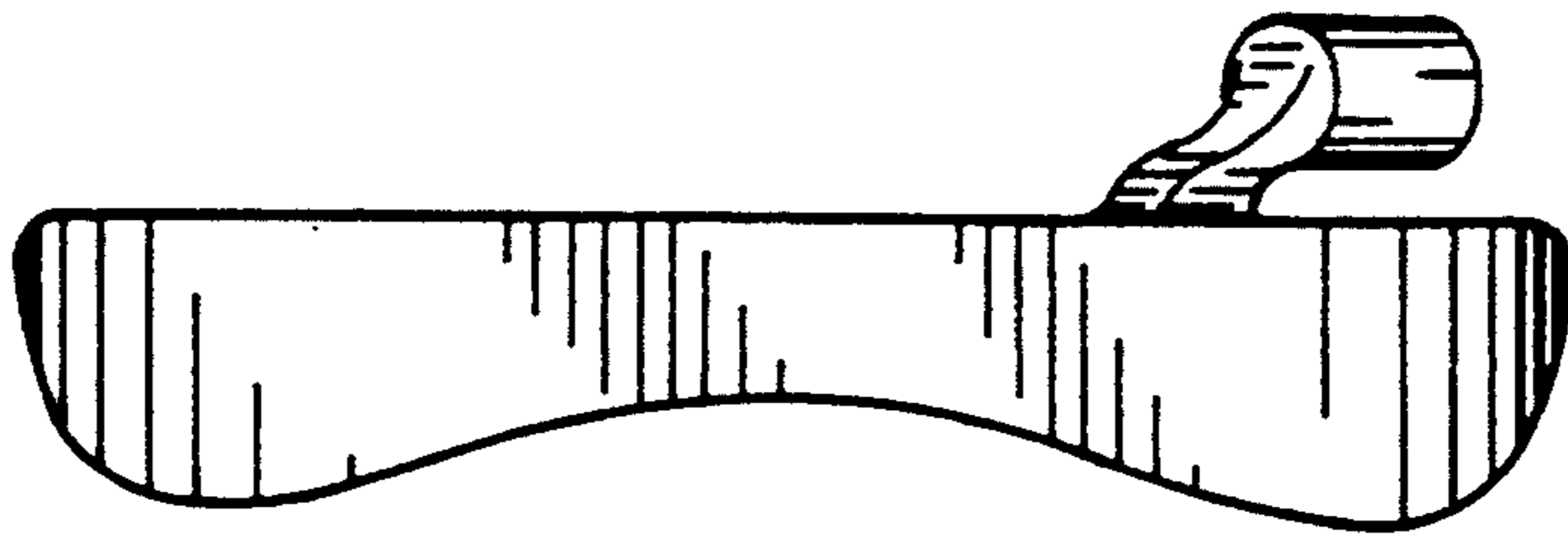


FIG. 5

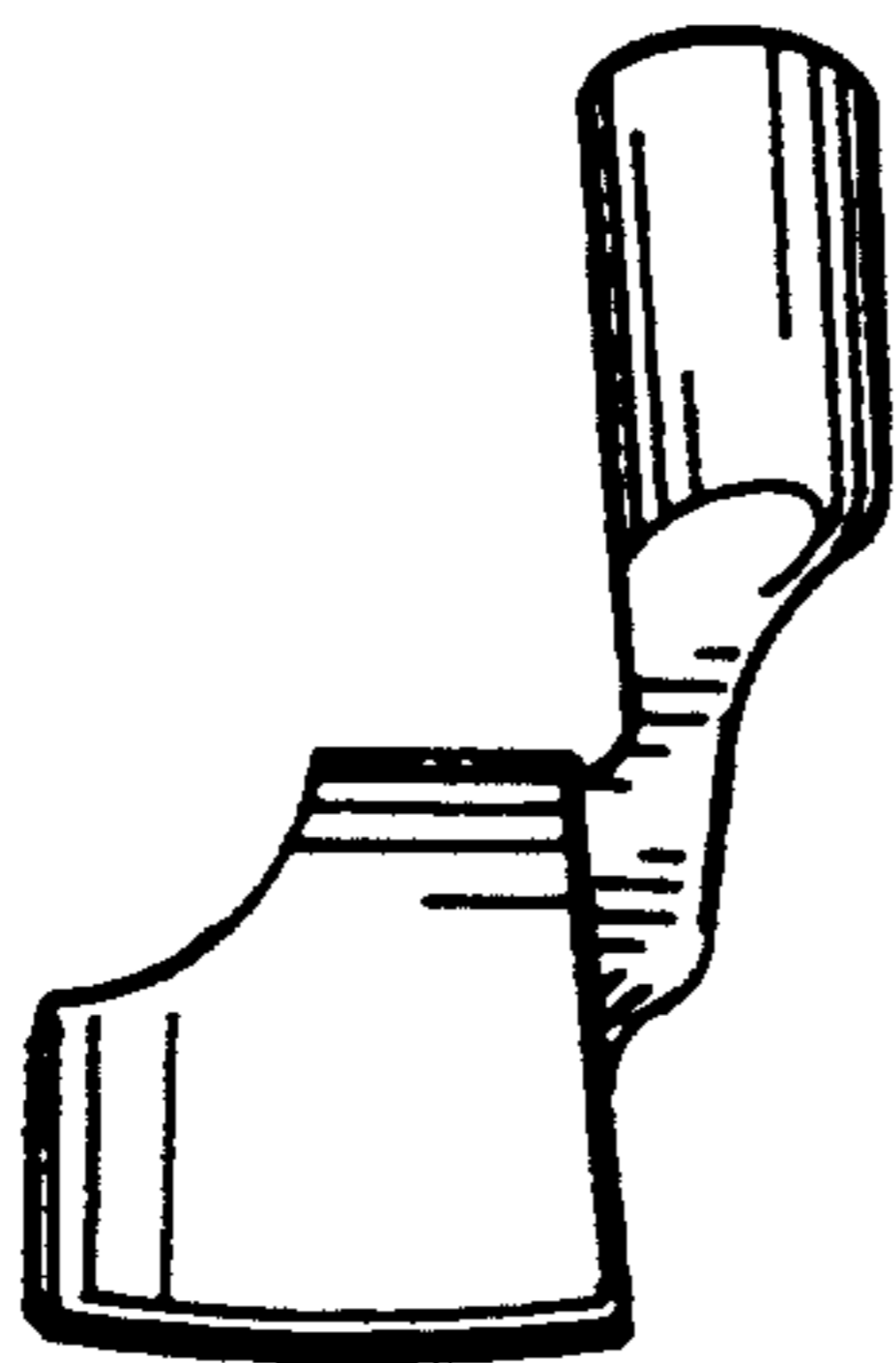


FIG. 6

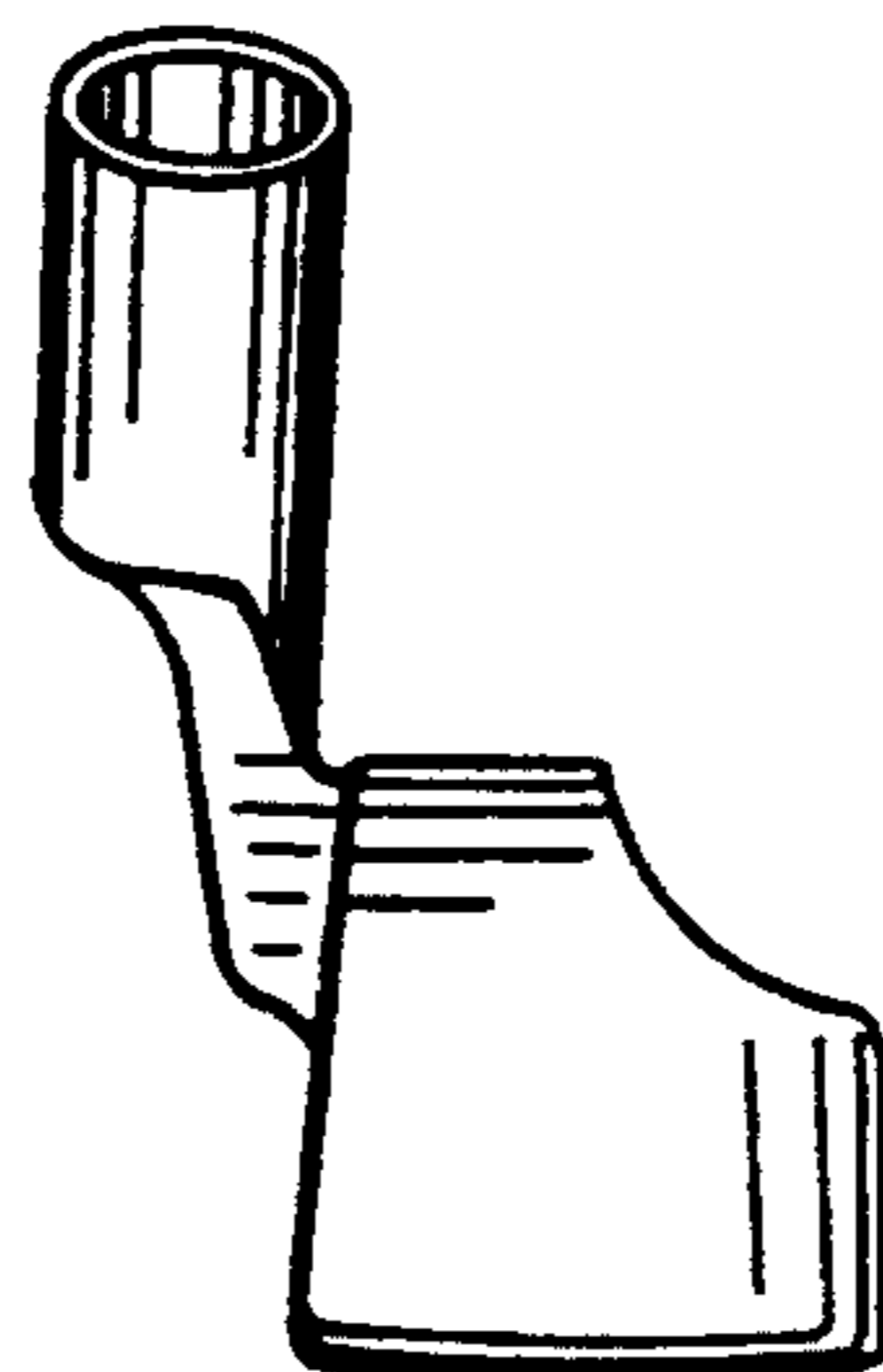


FIG. 7