



US00D350577S

United States Patent [19] Giudice

[11] Patent Number: **Des. 350,577**

[45] Date of Patent: **** Sep. 13, 1994**

[54] **SHARK BALL**

[75] Inventor: **Al Giudice, Chicago, Ill.**

[73] Assignee: **Cool Products Corporation, Chicago, Ill.**

[**] Term: **14 Years**

[21] Appl. No.: **930,228**

[22] Filed: **Aug. 17, 1992**

[52] U.S. Cl. **D21/204; D21/157**

[58] Field of Search **273/65 R, 58 K, 58 A;
D21/203, 204, 205, 157**

D. 334,955 4/1993 Kupperman D21/157
3,708,170 1/1973 Presnell 273/65 EG X
5,269,514 12/1993 Adler et al. 273/65 EG X

Primary Examiner—Melvin B. Feifer
Assistant Examiner—Cheri Cohen
Attorney, Agent, or Firm—Dressler, Goldsmith, Shore & Milnamow, Ltd.

[57] **CLAIM**

The ornamental design for a shark ball, as shown and described.

DESCRIPTION

FIG. 1 is a perspective view of a shark ball embodying my new design;

FIG. 2 is a front view thereof;

FIG. 3 is a rear view thereof;

FIG. 4 is a side elevational view thereof;

FIG. 5 is a plan view thereof; and,

FIG. 6 is a bottom view thereof.

[56] **References Cited**

U.S. PATENT DOCUMENTS

- D. 205,457 8/1966 Bronte D21/157 X
- D. 308,084 5/1990 Smith et al. D21/157
- D. 330,575 10/1992 Kupperman D21/157
- D. 333,854 3/1993 Kupperman D21/157

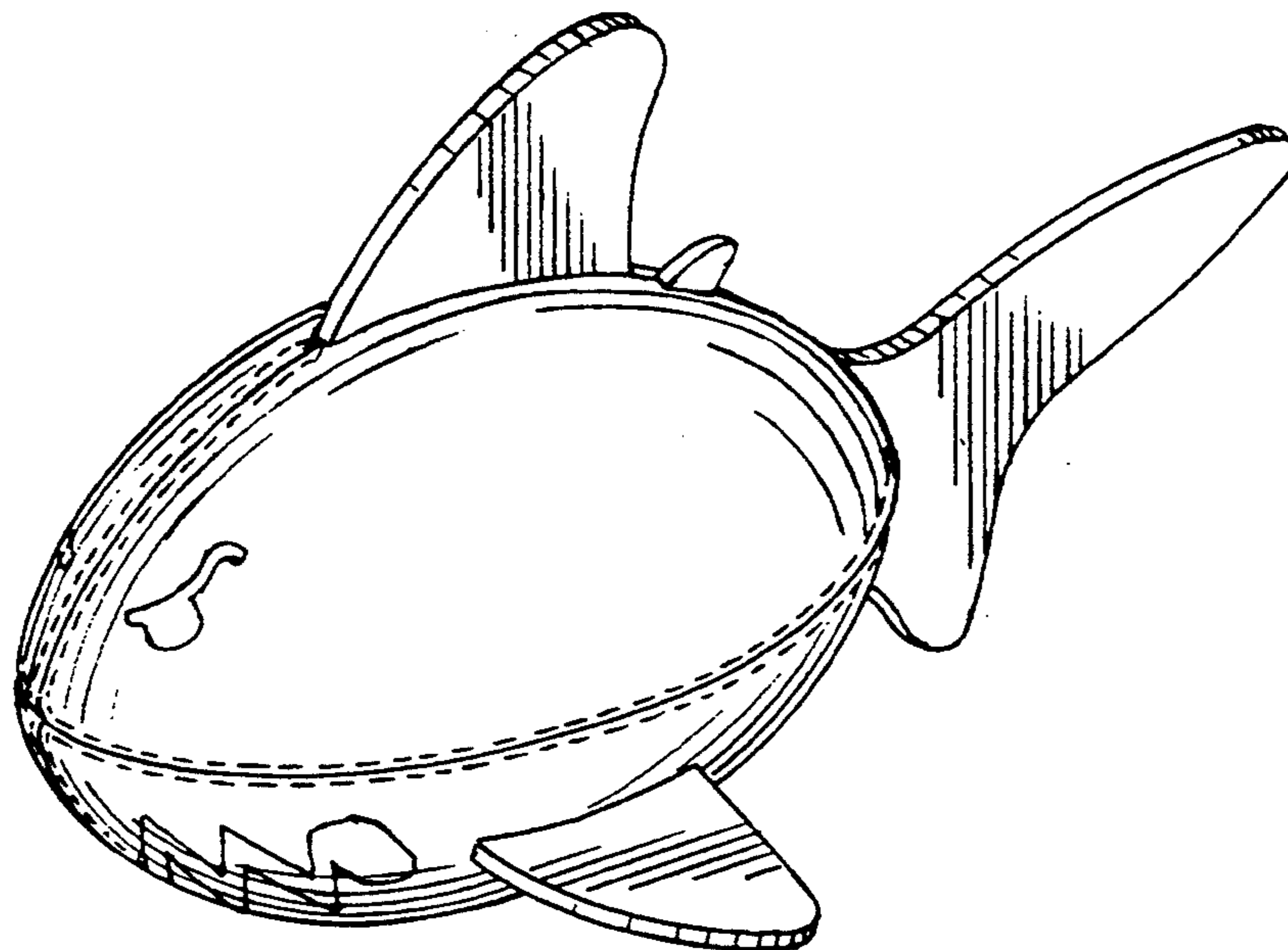


FIG. 1

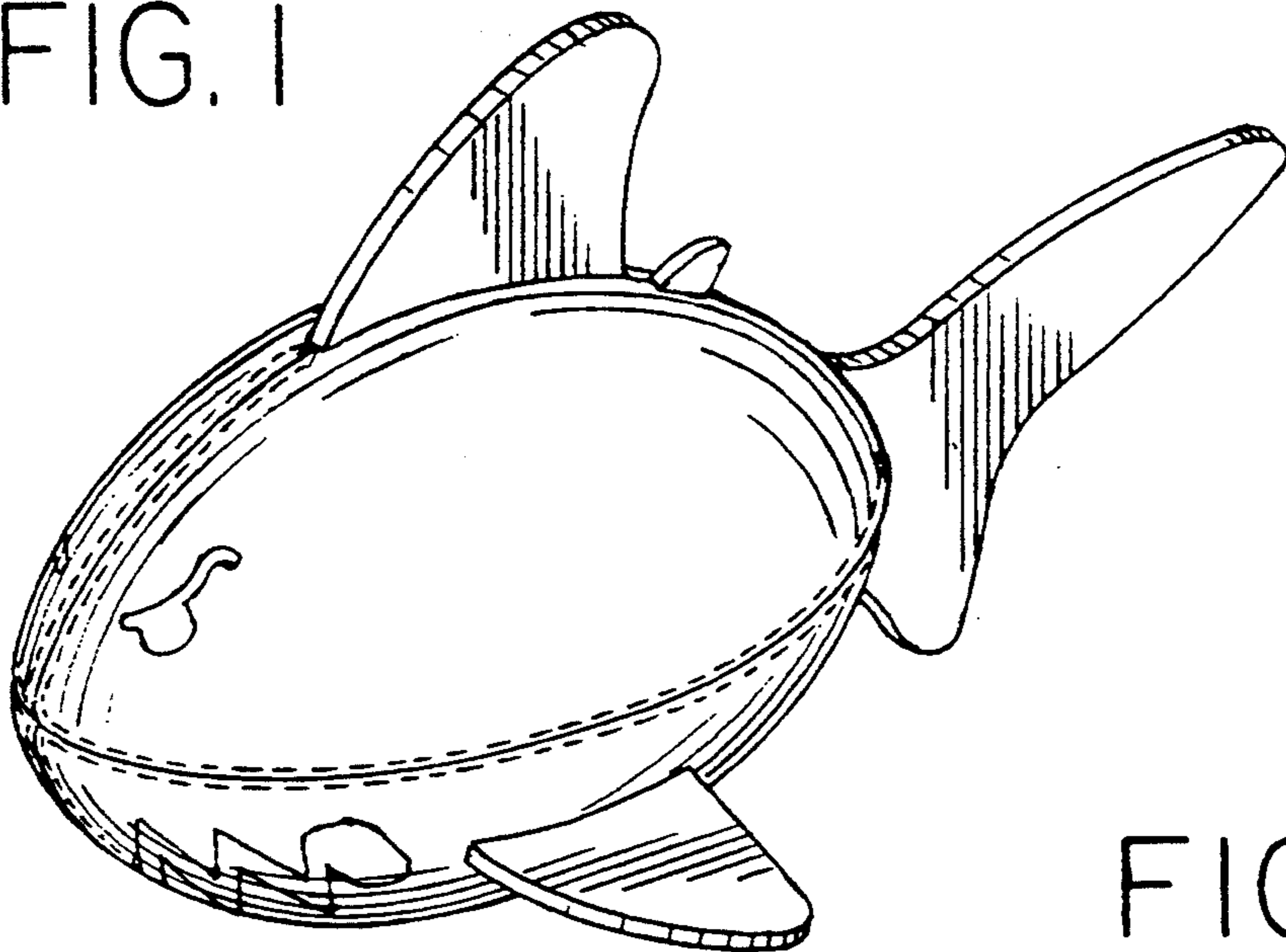


FIG. 2

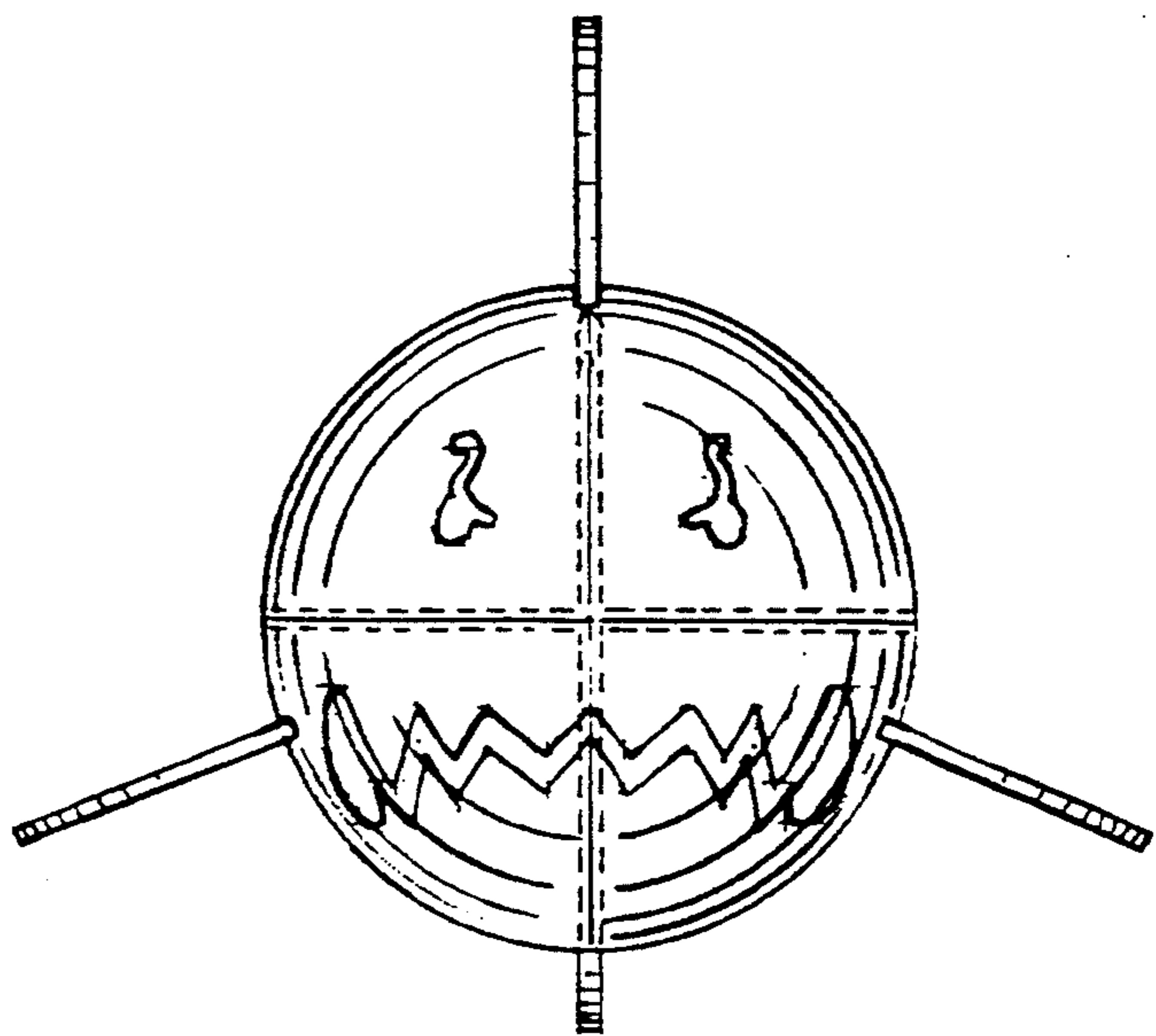


FIG. 3

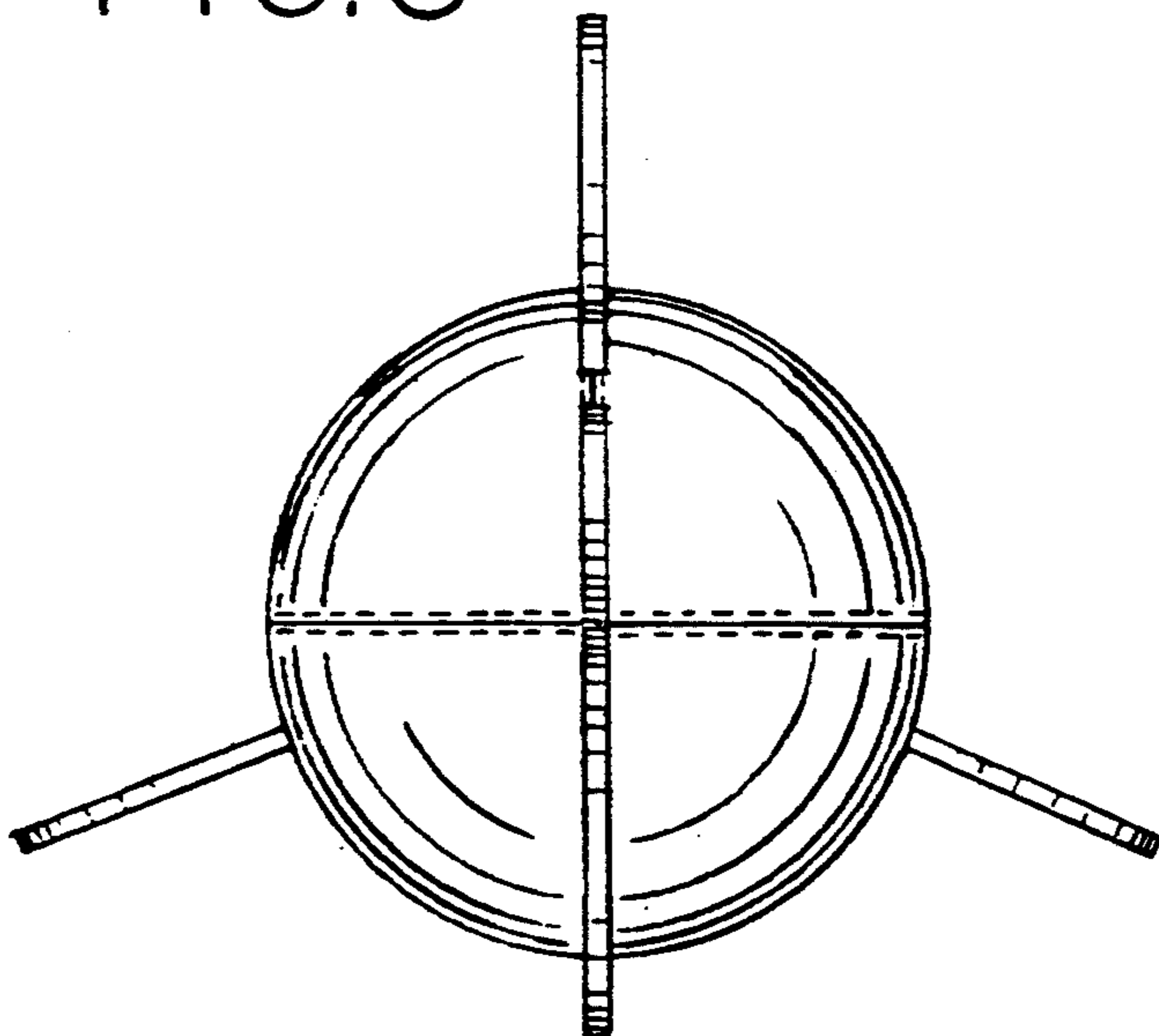


FIG. 4

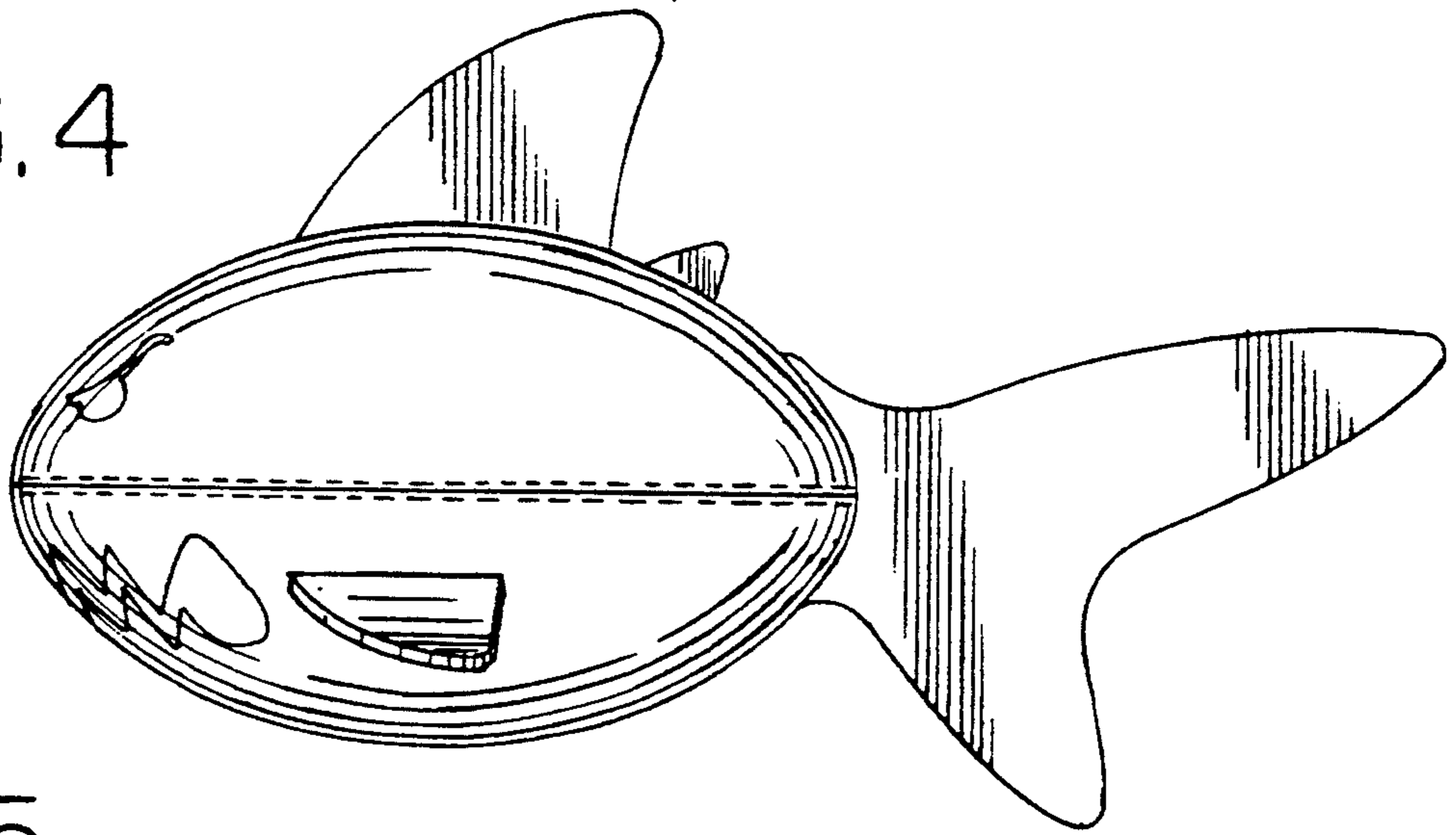


FIG. 5

A perspective view of the shark-shaped inflatable ring from FIG. 4, shown in a deflated state. The ring is oriented horizontally with a shark fin on top and a tail on the bottom. A long, thin, segmented tube is attached to the left side of the ring, extending horizontally to the right. A dashed horizontal line indicates a cross-section through the ring.

FIG. 6

A perspective view of the shark-shaped inflatable ring from FIG. 4, shown in a deflated state. The ring is oriented horizontally with a shark fin on top and a tail on the bottom. A long, thin, segmented tube is attached to the left side of the ring, extending horizontally to the right. A dashed horizontal line indicates a cross-section through the ring.