



US00D350573S

United States Patent [19]

[11] Patent Number: **Des. 350,573**

Caminos et al.

[45] Date of Patent: **** Sep. 13, 1994**

[54] SINGLE TANK WATER GUN

[76] Inventors: **Frank Caminos**, 124 Christie St.,
Leonia, N.J. 07605; **Bruce M. D'Andrade**, 3 Ten Eyck Rd.,
Whitehouse Station, N.J. 08889

[**] Term: **14 Years**

[21] Appl. No.: **10,305**

[22] Filed: **Jul. 1, 1993**

[52] U.S. Cl. **D21/146**

[58] Field of Search D7/649, 650, 696;
446/267, 473; 124/24.1, 25; 482/83, 12;
89/1.816; D21/145-147; D22/107, 108, 118;
D23/225

[56] **References Cited**

U.S. PATENT DOCUMENTS

D. 206,670	1/1967	Hirsch	D21/146
D. 286,661	11/1986	Barthropp	D21/147
D. 286,900	11/1986	Barthropp	D21/147
D. 303,130	8/1989	Noble	D21/146
D. 337,627	7/1993	Moran	D21/147
3,218,745	11/1965	Golden	D21/146
5,074,437	12/1991	D'Andrade et al.	446/473
5,150,819	9/1992	Johnson et al.	446/473

OTHER PUBLICATIONS

U.S. Ser. No. 07/772,044, Oct. 7, 1991, Bruce M. D'Andrade.

U.S. Ser. No. 07/864,969, Apr., 7, 1992, Bruce M. D'Andrade.

U.S. Ser. No. 07/864,971, Apr. 7, 1992, Bruce M. D'Andrade.

U.S. Ser. No. 07/901,512, Jun. 19, 1992, Robert W. Salmon et al.

U.S. Ser. No. 07/901,513, Jun. 19, 1992, Robert W. Salmon et al.

U.S. Ser. No. 07/901,583, Jun. 19, 1992, Bruce M. D'Andrade.

U.S. Ser. No. 07/901,584, Jun. 19, 1992, Robert W. Salmon et al.

U.S. Ser. No. 07/901,585, Jun. 19, 1992, Bruce M. D'Andrade.

U.S. Ser. No. 07/901,662, Jun. 19, 1992, Robert W. Salmon et al.

U.S. Ser. No. 07/902,295, Jun. 19, 1992, Robert W. Salmon et al.

Primary Examiner—Bernard Ansher

Assistant Examiner—R. Barkai

Attorney, Agent, or Firm—Kenneth P. Glynn

[57] **CLAIM**

The ornamental design for a single tank water gun, as shown and described.

DESCRIPTION

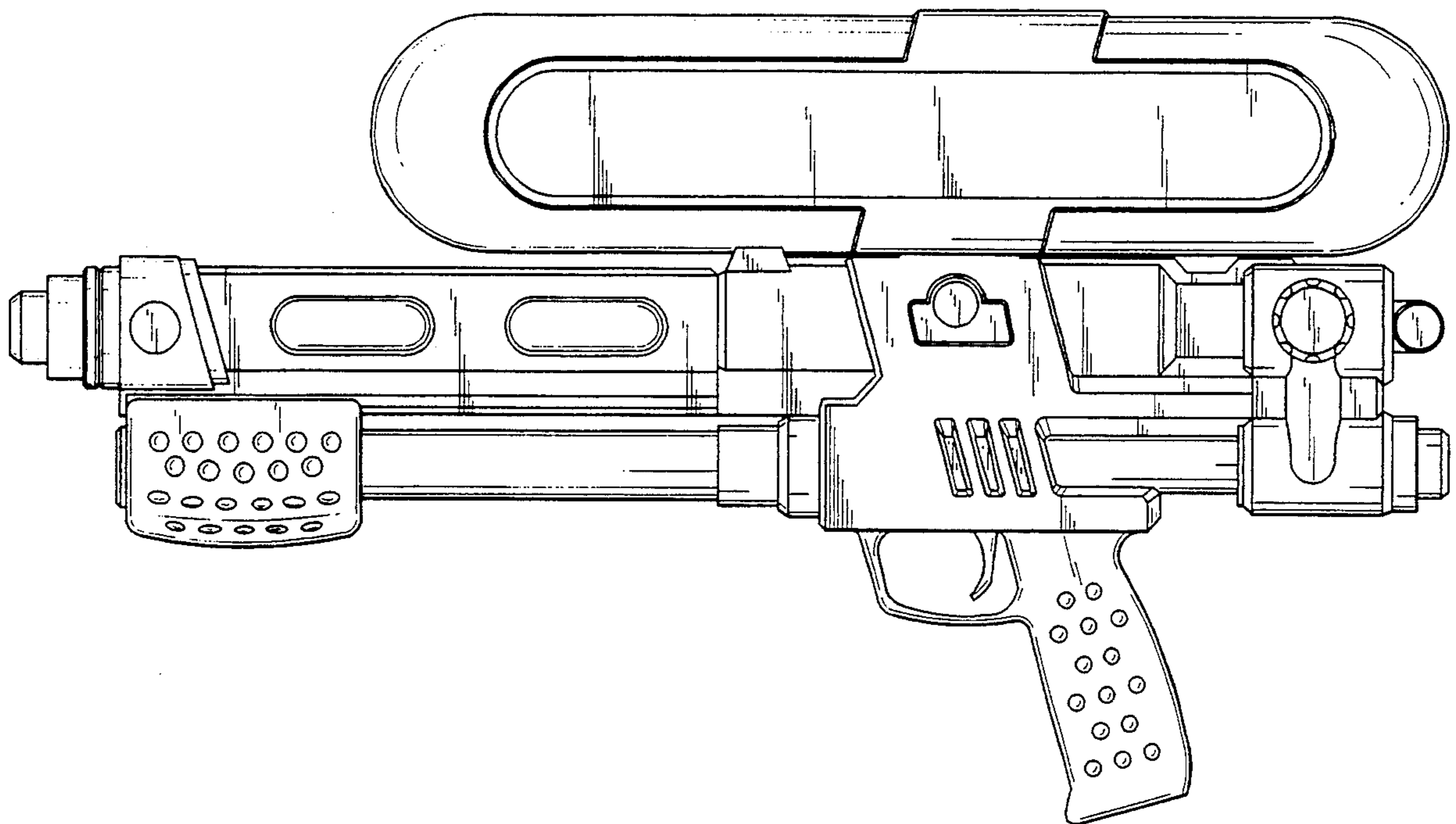
FIG. 1 is a front elevational view of a single tank water gun showing our new design;

FIG. 2 is a rear elevational view thereof;

FIG. 3 is a left side elevational view thereof with the right side elevational view being a mirror image thereof;

FIG. 4 is a top plan view thereof; and,

FIG. 5 is a bottom plan view thereof.



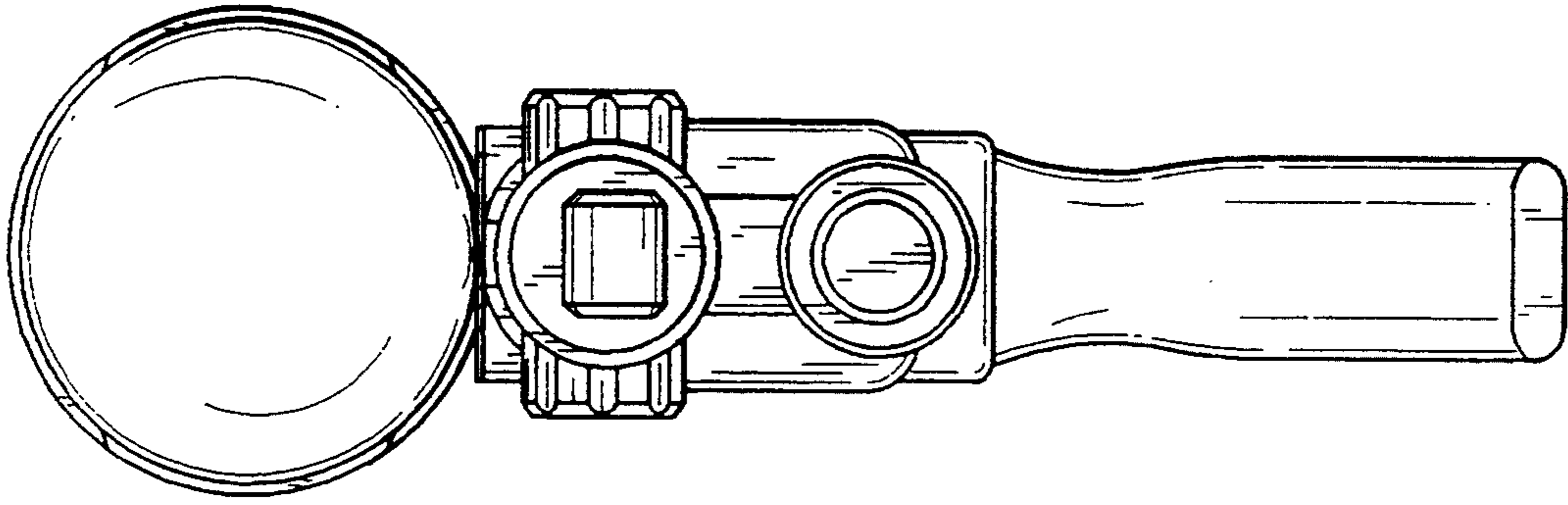


FIG. 2

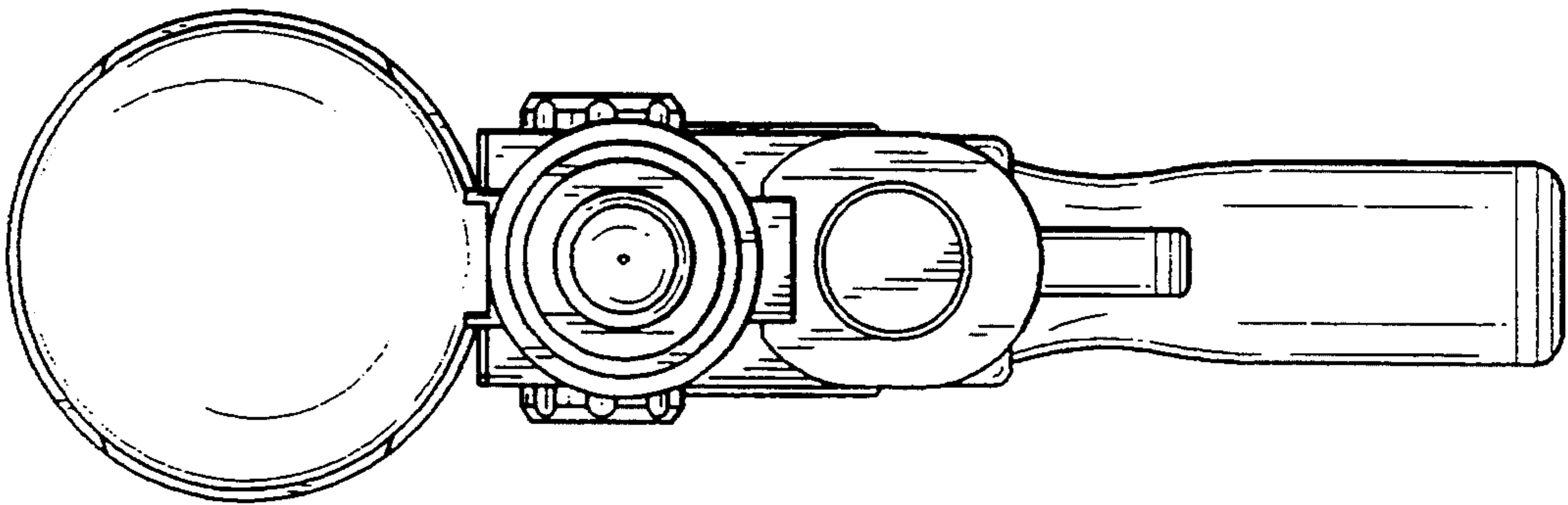


FIG. 1

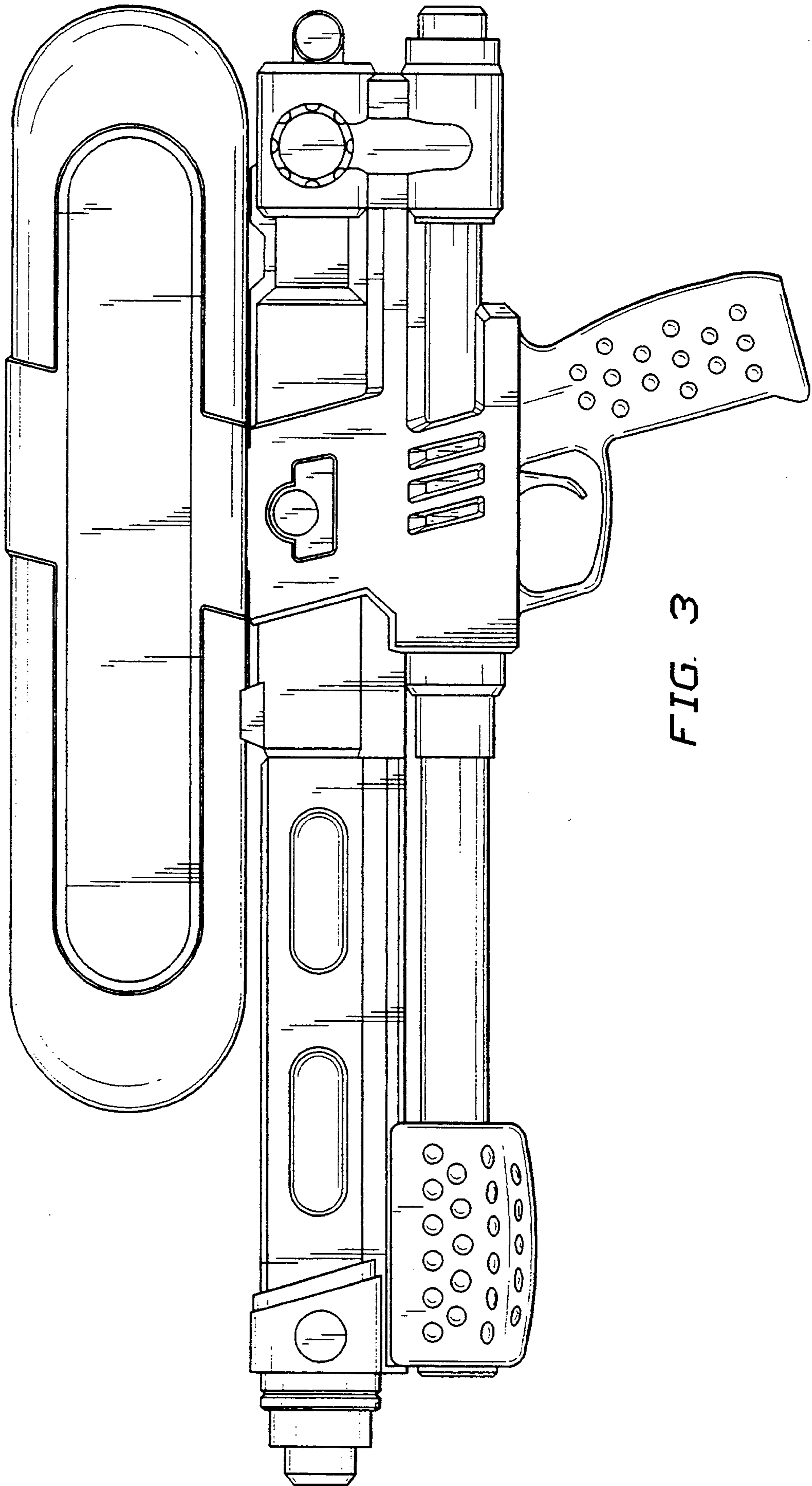


FIG. 3

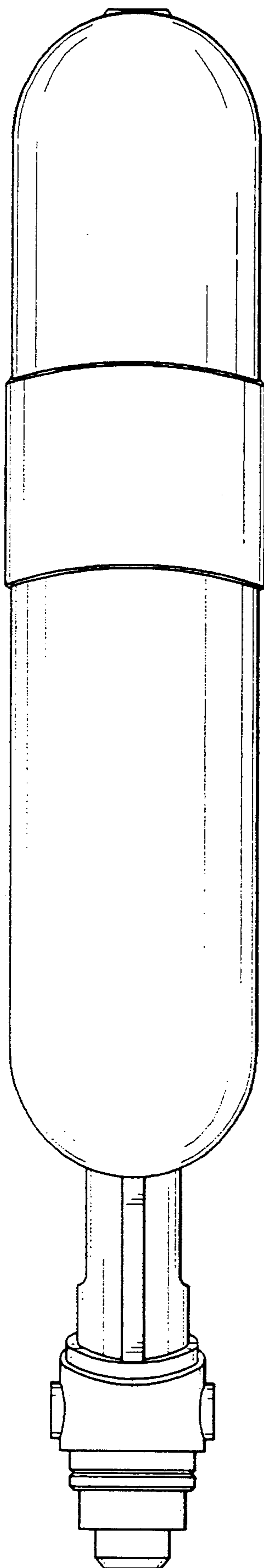


FIG. 4

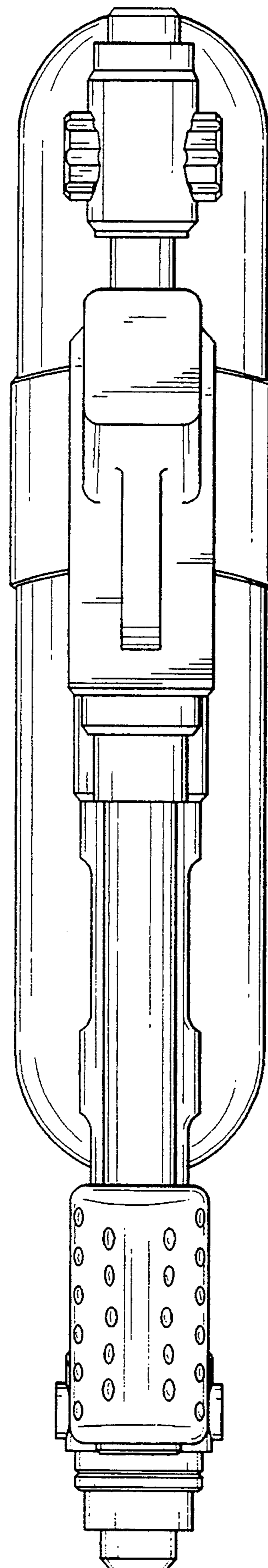


FIG. 5