



US00D350572S

United States Patent [19]

Vashey

[11] Patent Number: Des. 350,572

[45] Date of Patent: ** Sep. 13, 1994

[54] REMOTE CONTROL UNIT FOR TOY TRUCKS

[76] Inventor: Wayne A. Vashey, 90 Oak St., Keansburg, N.J. 07734-1343

[**] Term: 14 Years

[21] Appl. No.: 2,358

[22] Filed: Dec. 9, 1992

[52] U.S. Cl. D21/141.1

[58] Field of Search 446/454, 455, 456, 7, 446/404, 406; D21/13, 48, 141, 141.1, 142

[56] **References Cited**

U.S. PATENT DOCUMENTS

D. 283,718	5/1986	Kondo	D21/141
D. 309,923	8/1990	Cheung	D21/13
3,715,832	2/1973	Torres	446/7
4,358,104	11/1982	Rivette	446/454
4,695,266	9/1987	Hui	446/454

OTHER PUBLICATIONS

Tyco Toy Catalog 1987 p. 87 lower left of page.
Hong Kong Toys Sep. 1991 p. 53 lower left of page.

Primary Examiner—Bernard Ansher
Assistant Examiner—R. Barkai
Attorney, Agent, or Firm—Hugh E. Smith

[57] **CLAIM**

The ornamental design for a remote control unit for toy vehicles, as shown and described.

DESCRIPTION

FIG. 1 is a front elevational view of the remote control unit for toy vehicles showing my new design; FIG. 2 is a rear elevational view thereof; FIG. 3 is a left side elevational view thereof; FIG. 4 is a right side elevational view thereof; FIG. 5 is a top plan view thereof; and, FIG. 6 is a bottom plan view thereof.

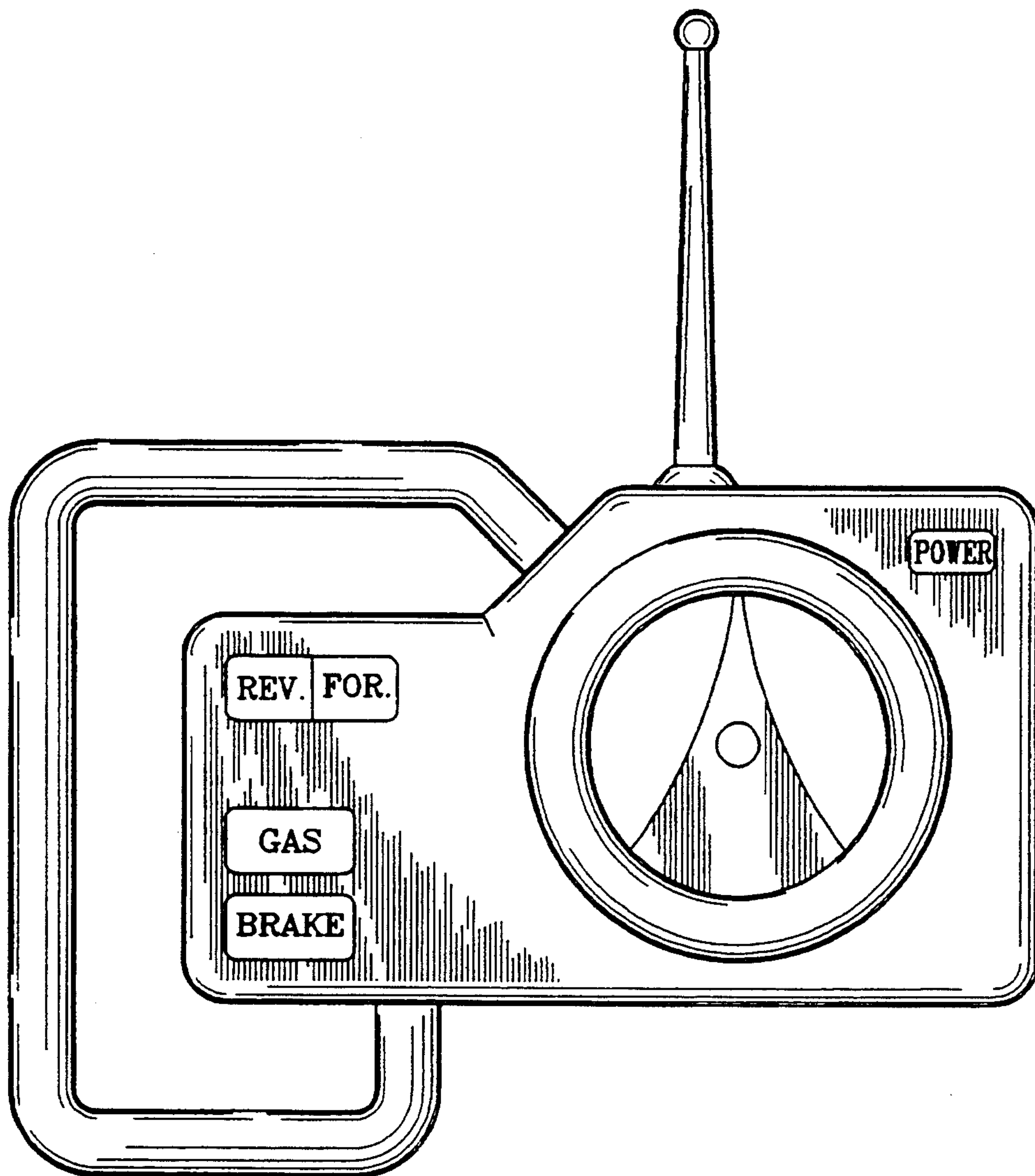


FIG. 1

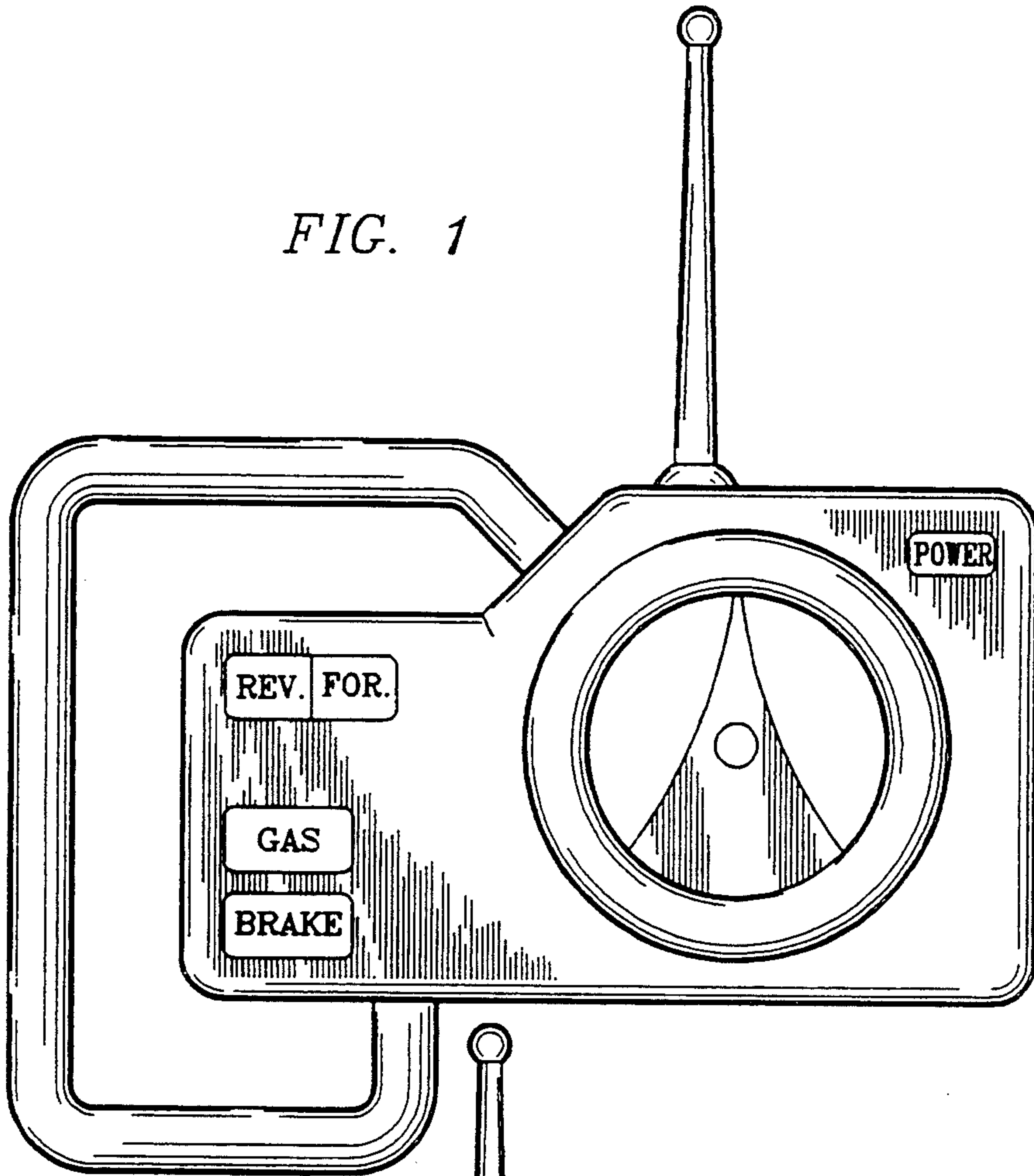


FIG. 2

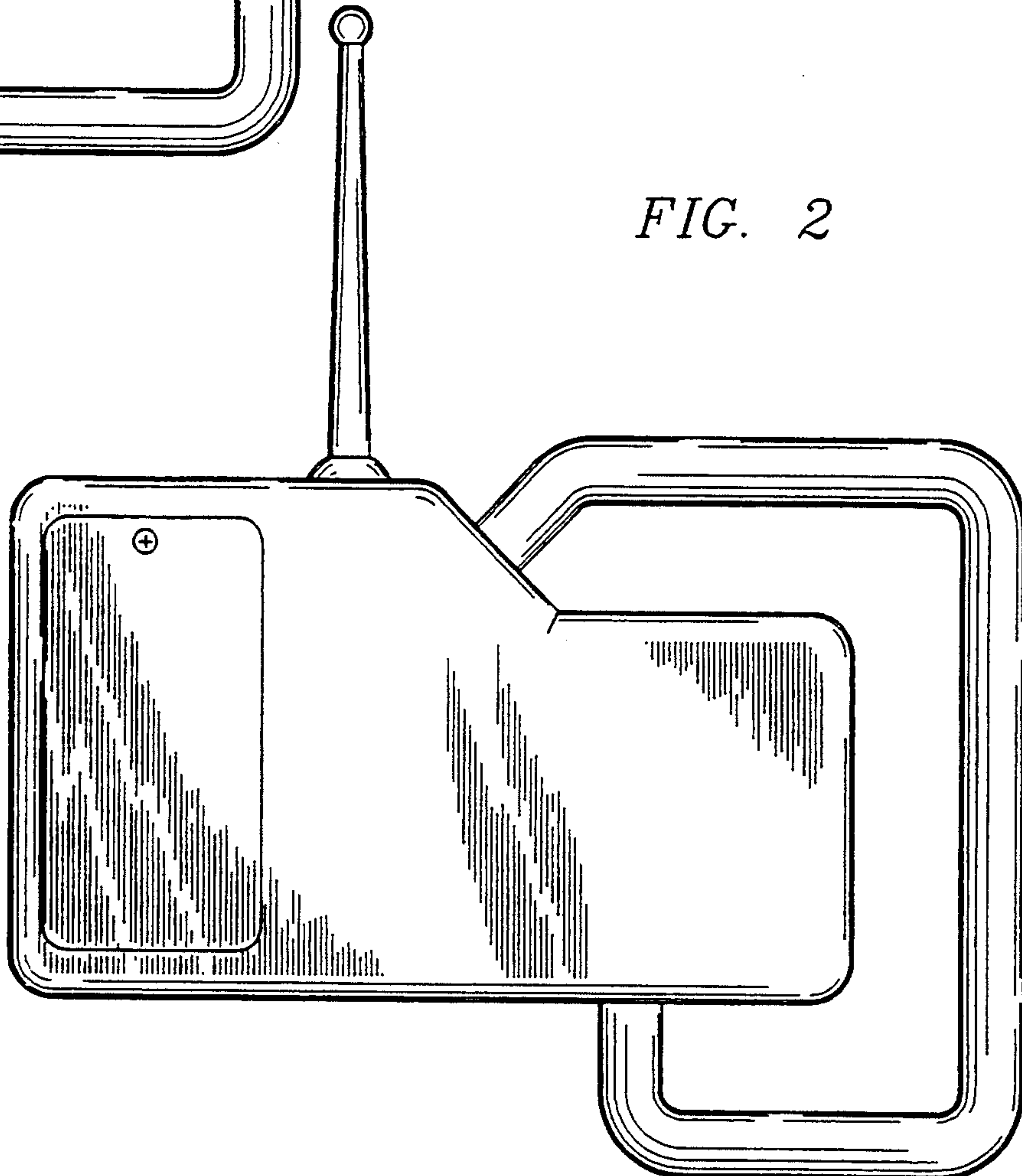


FIG. 3

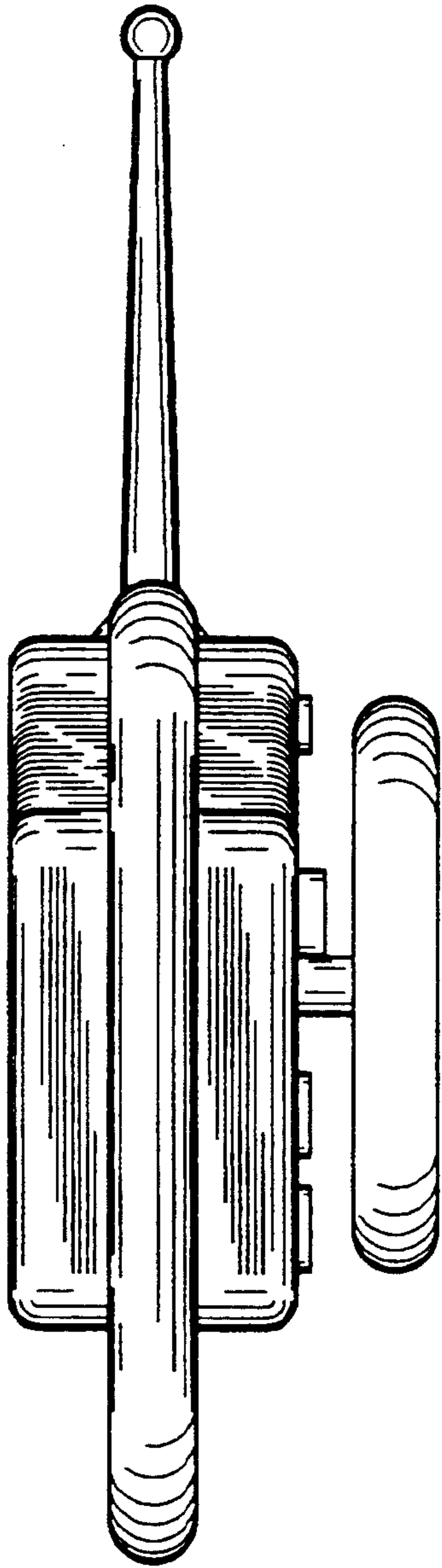


FIG. 4

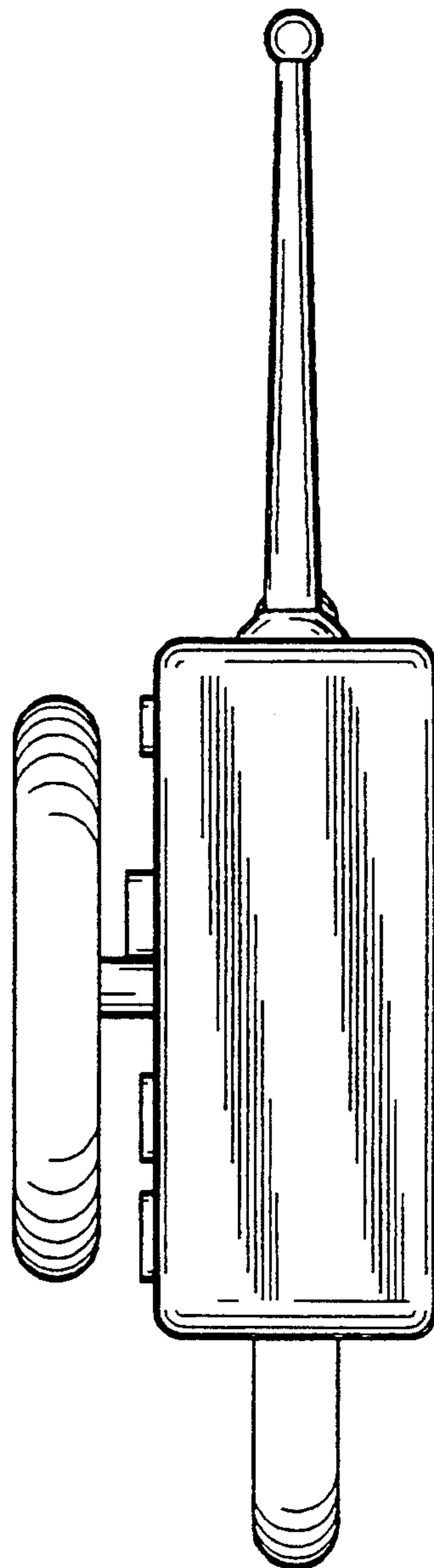


FIG. 5

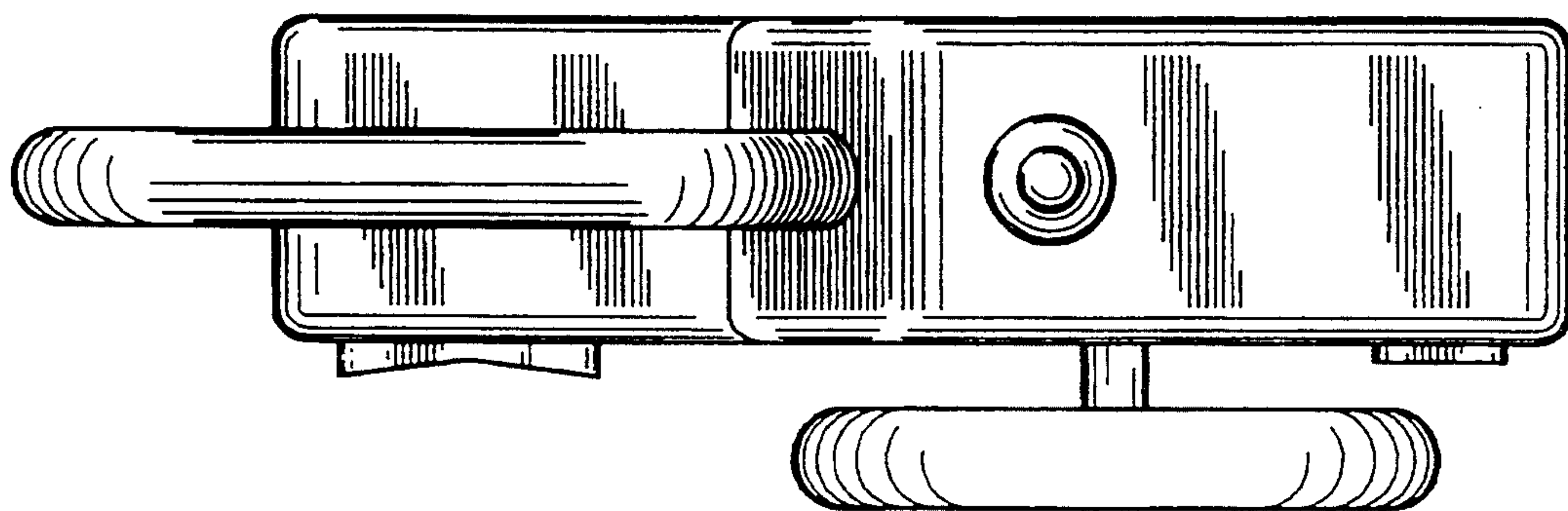


FIG. 6

