



US00D350568S

# United States Patent [19]

[11] Patent Number: Des. 350,568

Lucarelli

[45] Date of Patent: \*\* Sep. 13, 1994

[54] **RETRACTABLE INFORMATION DISPLAY UNIT**

[75] Inventor: **William R. Lucarelli**, Strongsville, Ohio

[73] Assignee: **Lacarelli Designs and Displays, Inc.**, South Brunswick, Ohio

[\*\*] Term: **14 Years**

[21] Appl. No.: **14,283**

[22] Filed: **Oct. 18, 1993**

[52] U.S. Cl. .... **D20/43; D19/76**

[58] Field of Search ..... 40/1, 124, 124.1, 124.2, 40/124.4, 484, 488, 498, 493, 642, 644, 649, 336; D20/10, 18, 19, 21, 40, 42, 43; D19/76

2,733,763	2/1956	Nygaard .	
2,828,562	4/1958	Warren .	
4,182,059	1/1980	Greene .	
4,217,713	8/1980	Greenberger .....	40/488
4,654,990	4/1987	Suters .....	40/488
5,004,271	4/1991	Piatt .....	40/488

*Primary Examiner*—Wallace R. Burke  
*Assistant Examiner*—Marcus Jackson  
*Attorney, Agent, or Firm*—Fay, Sharpe, Beall, Fagan, Minnich & McKee

### [57] CLAIM

The ornamental design for a retractable information display unit, as shown and described.

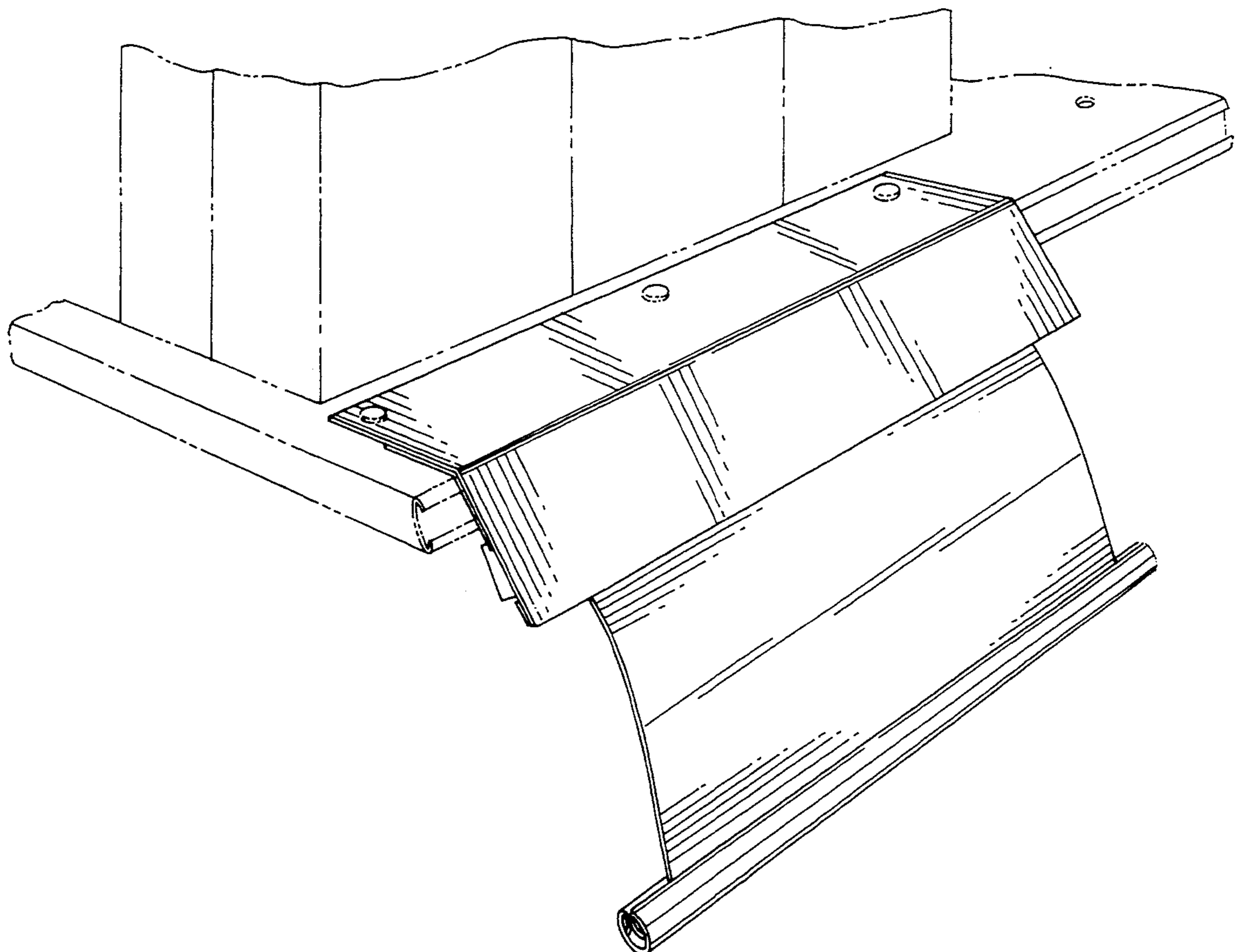
### DESCRIPTION

FIG. 1 is a perspective view of a retractable information display unit showing my new design; FIG. 2 is a perspective view thereof, with the display portion in open condition; FIG. 3 is a front elevational view thereof; FIG. 4 is a top plan view thereof; FIG. 5 is an end view taken from the left-hand side of FIG. 3, an end view taken from the right-hand side of FIG. 3 being substantially a mirror image thereof; FIG. 6 is a rear elevational view thereof; and, FIG. 7 is a bottom plan view thereof. Any broken line illustration shown in the drawing disclosure is not a part of the claimed design.

### [56] References Cited

#### U.S. PATENT DOCUMENTS

- D. 117,447 11/1939 Campbell et al. .
- D. 156,538 12/1949 Kingmon .
- D. 260,535 9/1981 Bovet .
- D. 277,394 1/1985 Assels .
- D. 309,158 7/1990 Shattan .
- D. 311,716 10/1990 Widrig .
- D. 320,778 10/1991 Palett ..... D19/76
- D. 322,287 12/1991 Sukman .
- 1,007,286 10/1911 Inge .
- 1,813,881 7/1931 Peters .



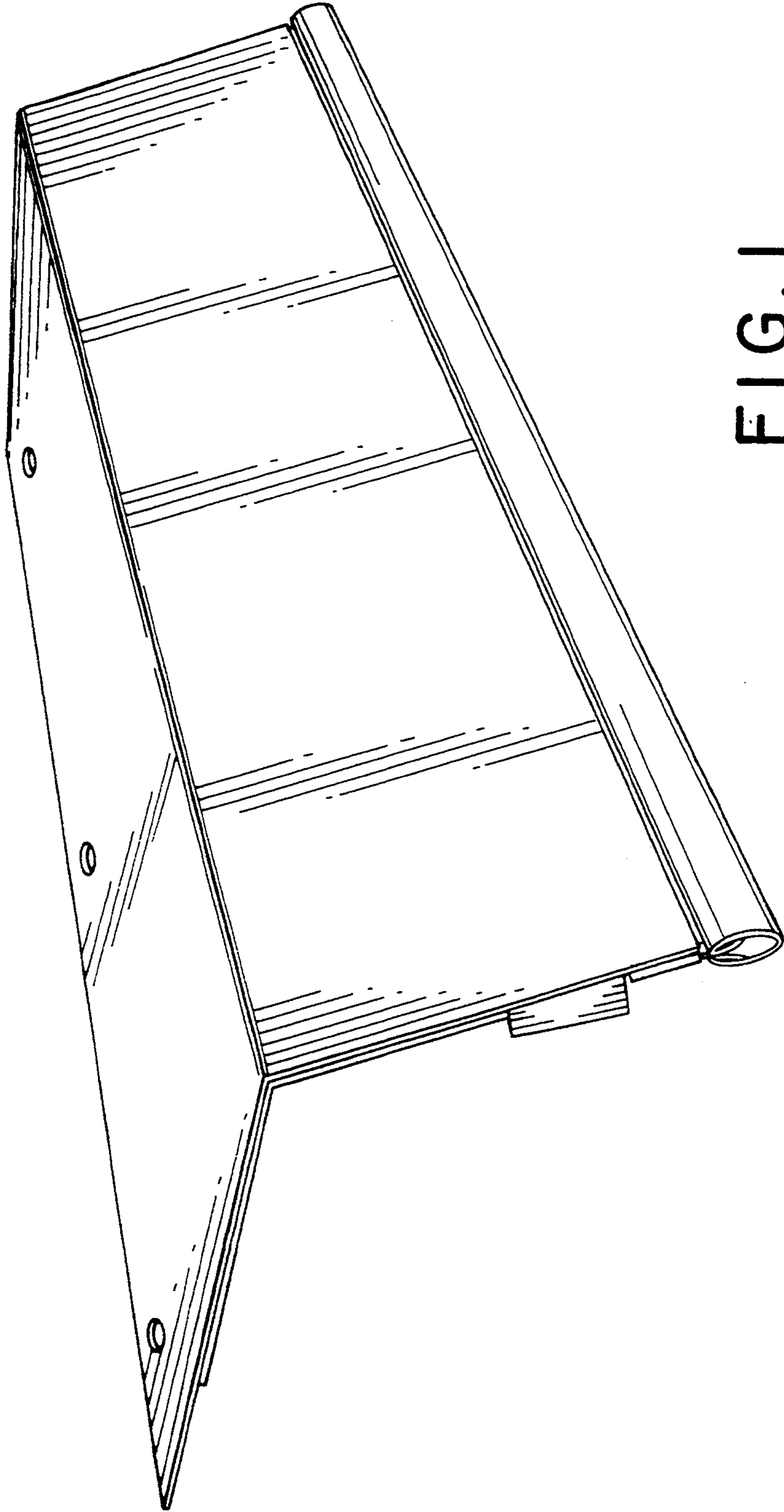


FIG. 1

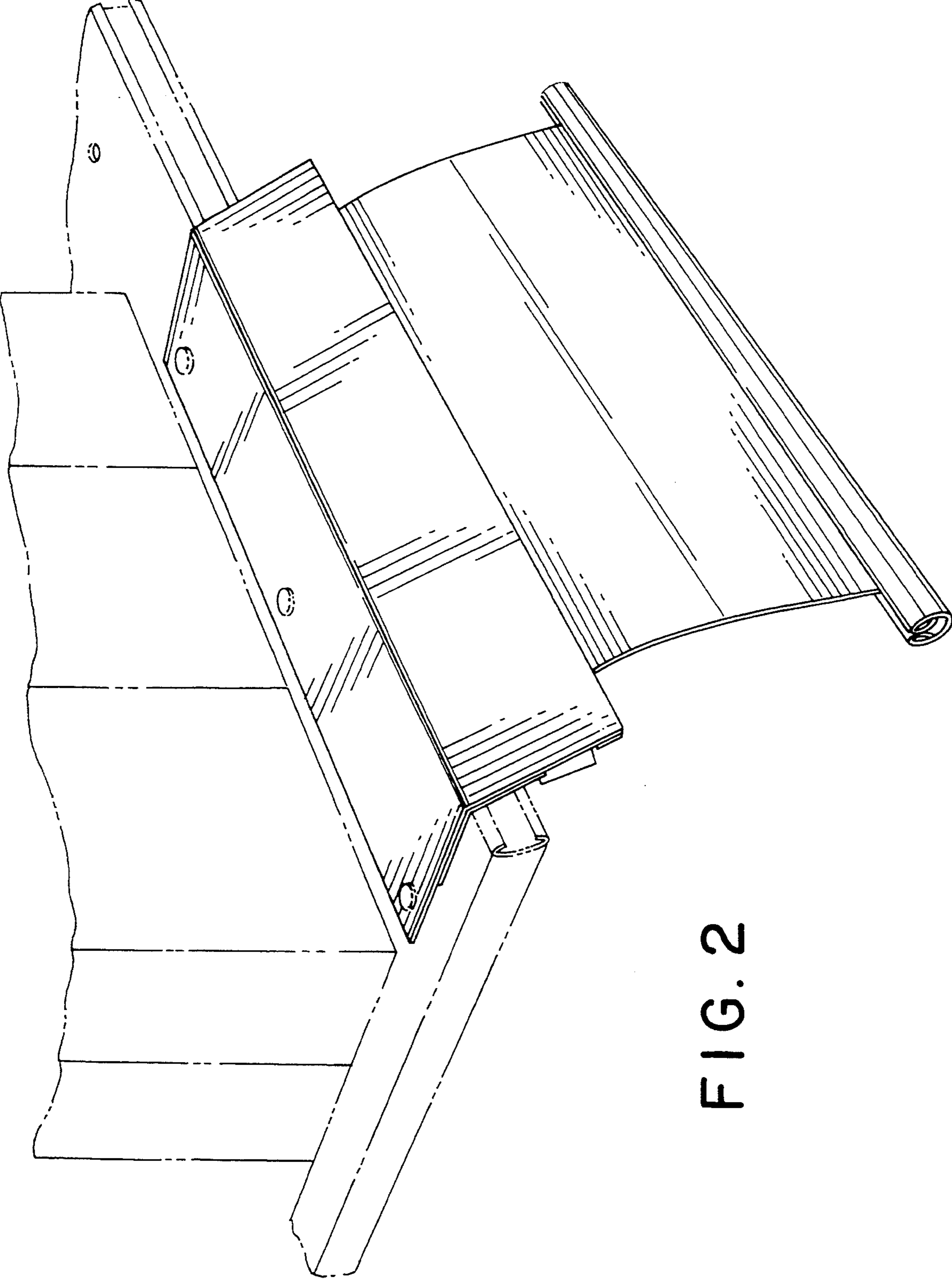


FIG. 2



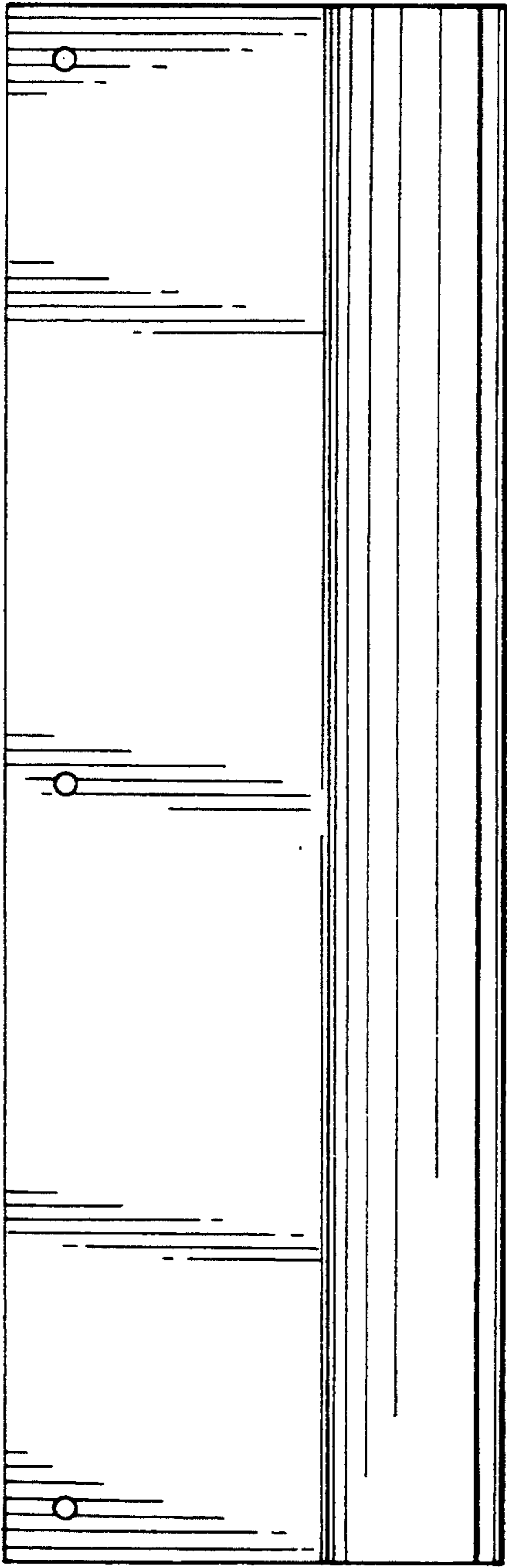


FIG. 4

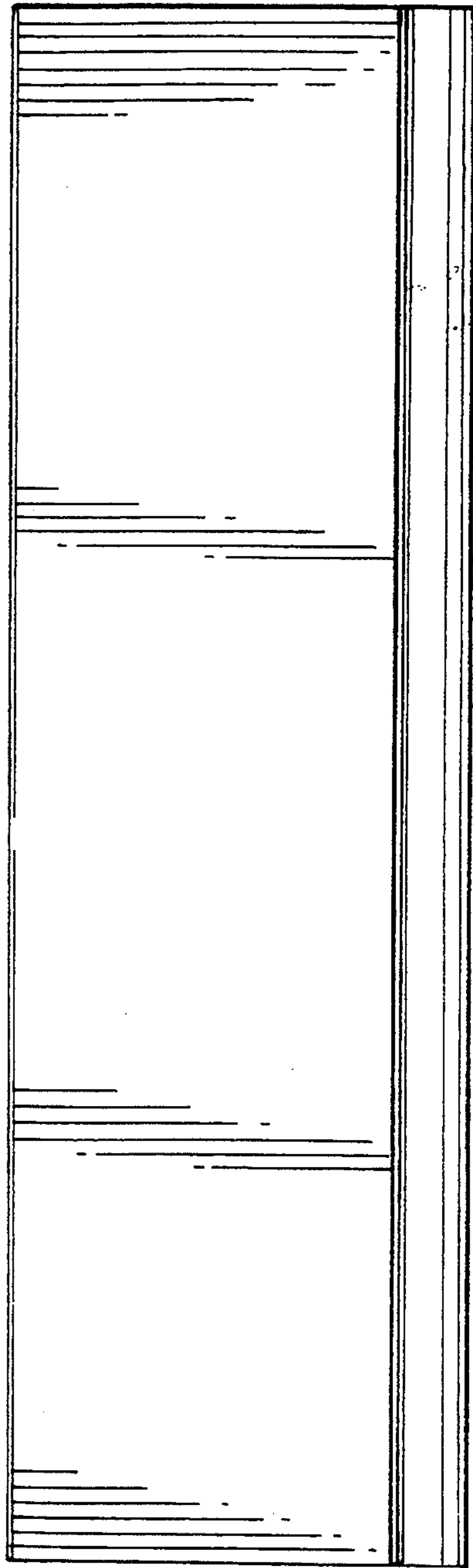


FIG. 3

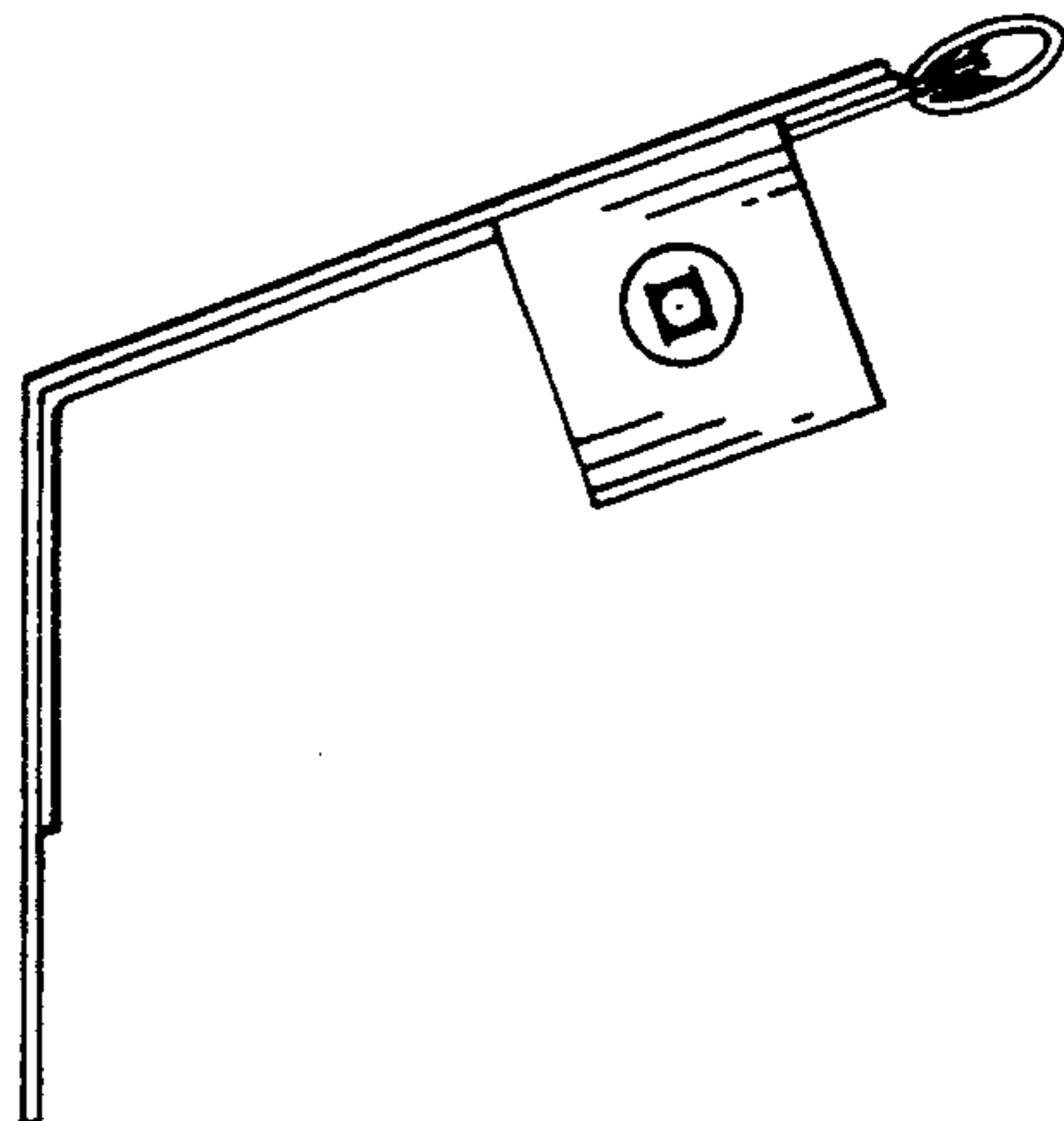


FIG. 5

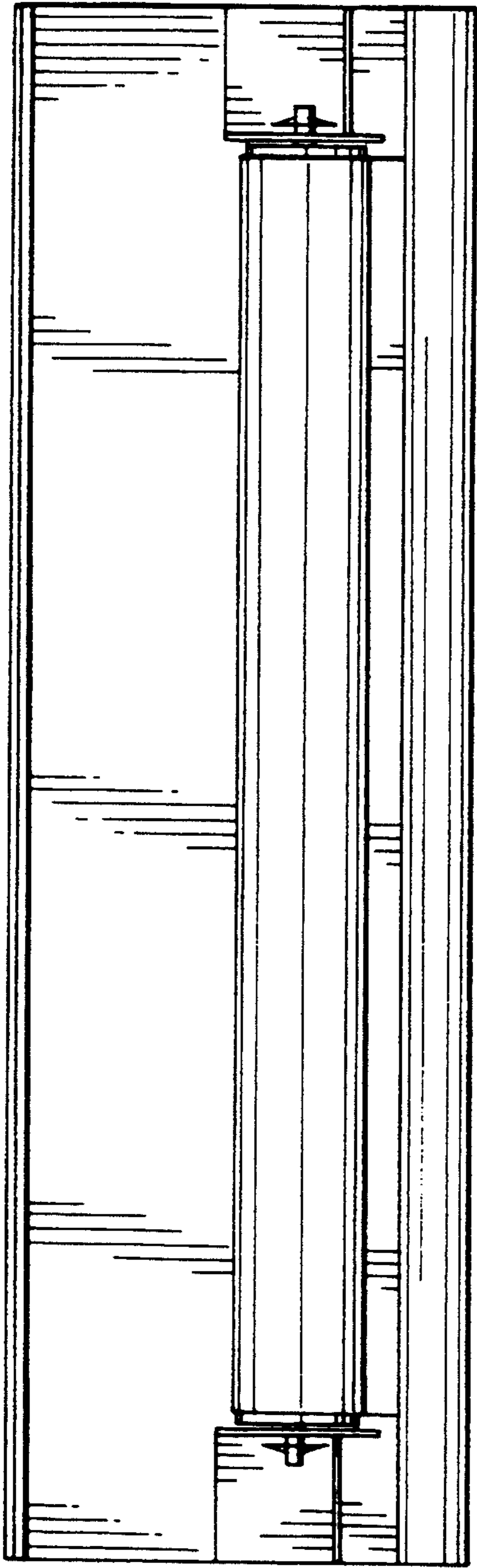


FIG. 6

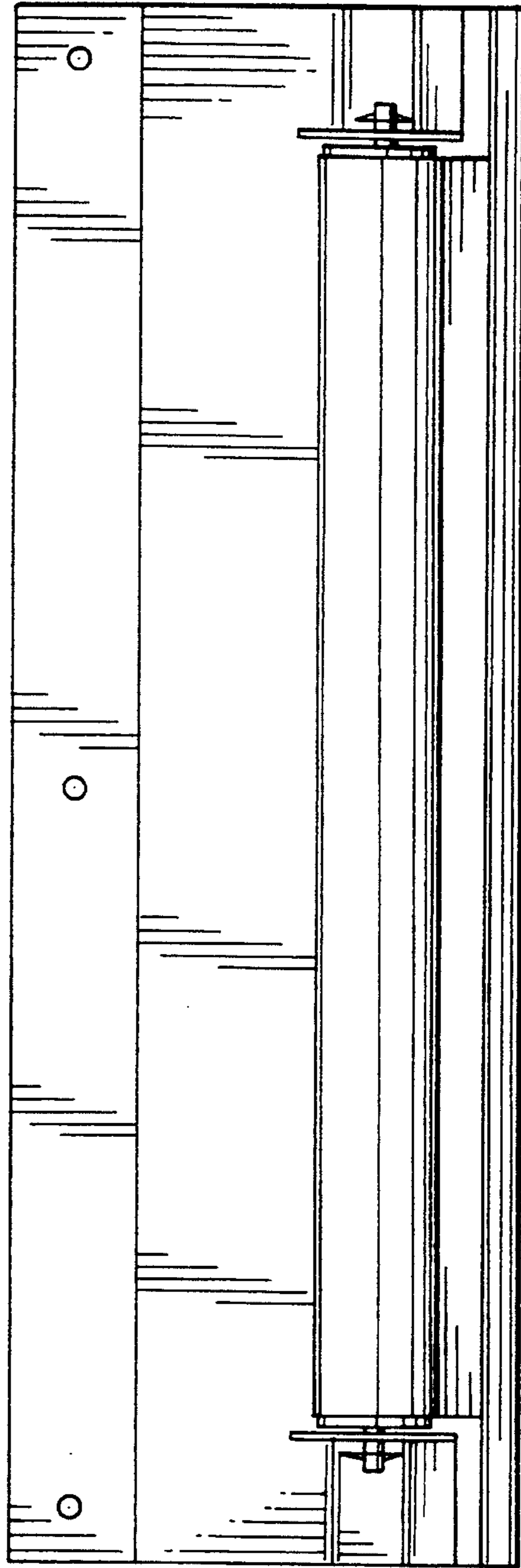


FIG. 7