



US00D350566S

United States Patent [19] Pearson

[11] **Patent Number: Des. 350,566**
[45] **Date of Patent: ** Sep. 13, 1994**

[54] **MENU HOLDER**
[76] **Inventor: Stephen J. Pearson, 34520 N. Hickory Ct., Ingleside, Ill. 60041**

3,086,658 4/1963 Palmer 40/152.1
3,473,249 10/1969 Ankrum 40/152.1
3,956,837 5/1976 Itano 40/152.1
4,594,802 6/1986 Field 40/152.1

[**] **Term: 14 Years**

[21] **Appl. No.: 844,688**

[22] **Filed: Mar. 2, 1992**

[52] **U.S. Cl. D20/40**

[58] **Field of Search** 40/1, 124, 124.1, 124.2, 40/124.4, 152, 152.1, 642, 643, 584, 618, 624; D20/10, 15, 39, 40, 41, 43, 44

OTHER PUBLICATIONS

Safepark 1978 parking barrier.

Primary Examiner—Wallace R. Burke

Assistant Examiner—Marcus Jackson

Attorney, Agent, or Firm—Milton S. Gerstein

[57] CLAIM

The ornamental design for a menu holder, as shown and described.

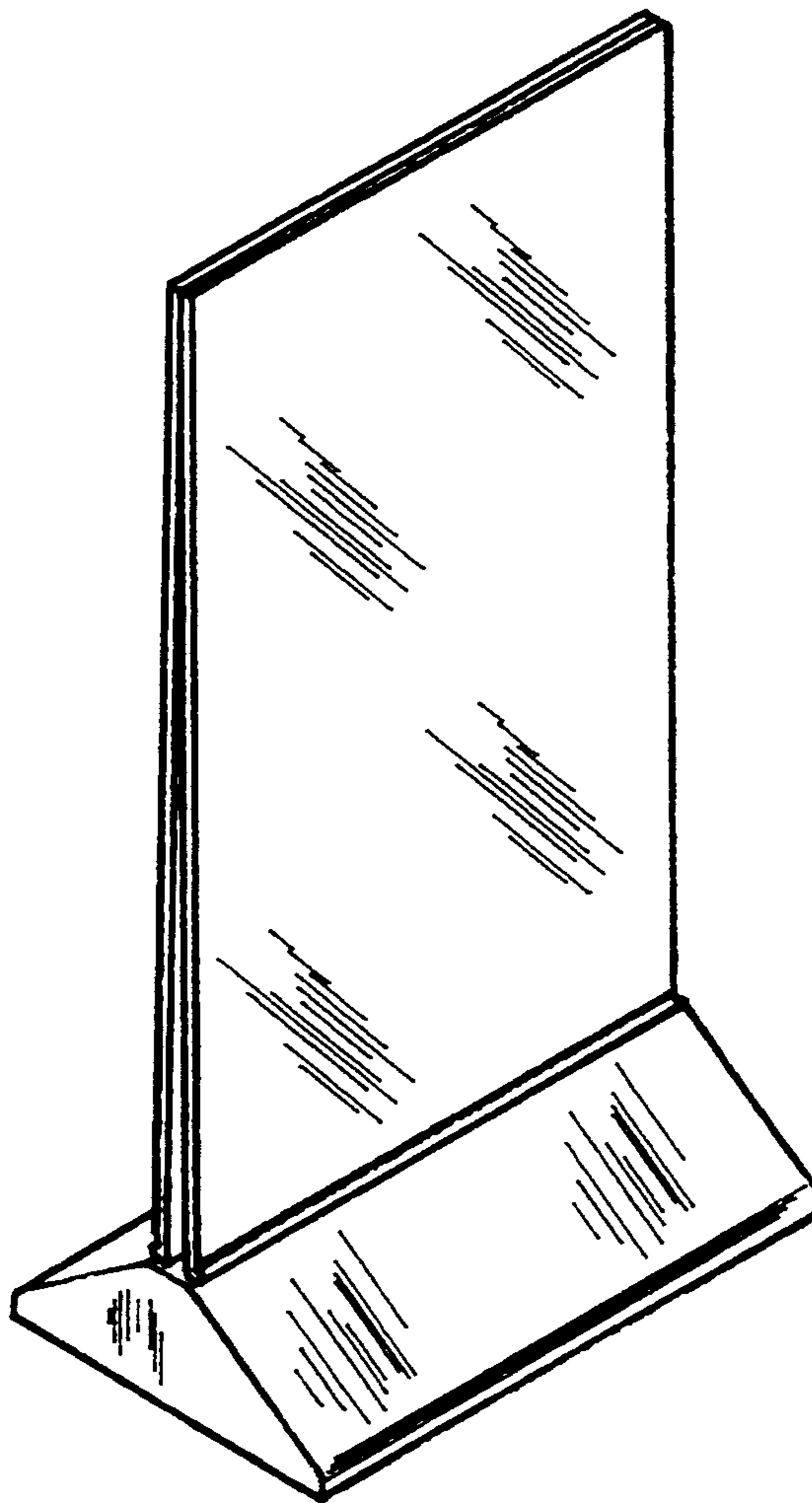
[56] References Cited

U.S. PATENT DOCUMENTS

D. 147,747	10/1947	Golden	D6/314
1,144,341	6/1915	Anderson	40/124.1
1,475,134	11/1923	Oakes	40/152.1
2,112,583	3/1938	Tucker et al.	40/152.1
2,142,826	1/1939	Rosello	40/124.1
2,449,911	9/1948	Roth	40/124.1
2,505,232	4/1950	Cristiani	40/152.1
3,029,051	4/1962	Nichols	40/124.1

DESCRIPTION

FIG. 1 is a front isometric view of the menu holder showing my new design in its fully opened state; FIG. 2 is a rear isometric view thereof; FIG. 3 is a side elevational view thereof, with the other side elevational view being the identical; FIG. 4 is a front view thereof; FIG. 5 is a bottom view thereof; and, FIG. 6 is a top view thereof.



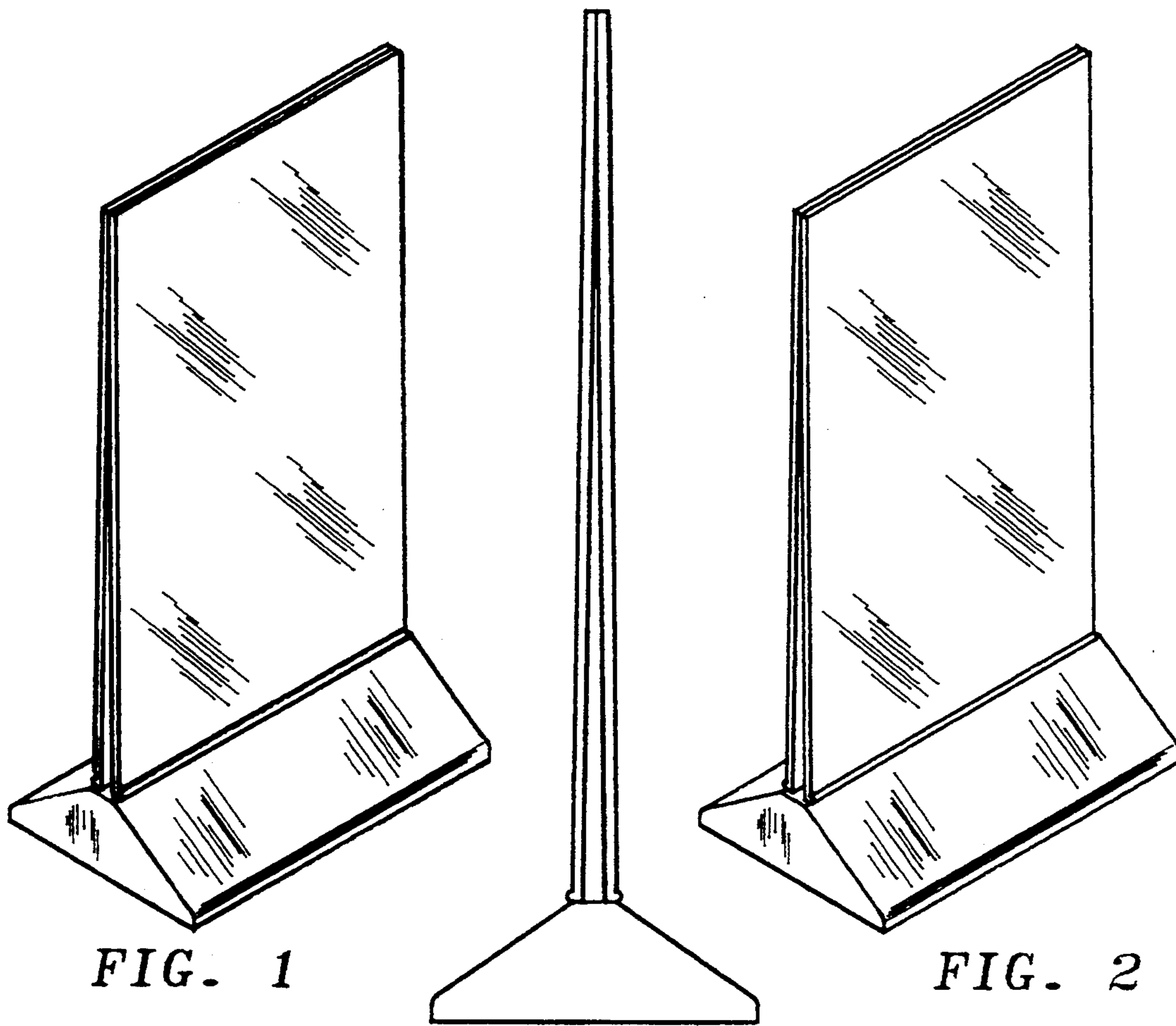


FIG. 1

FIG. 2

FIG. 3

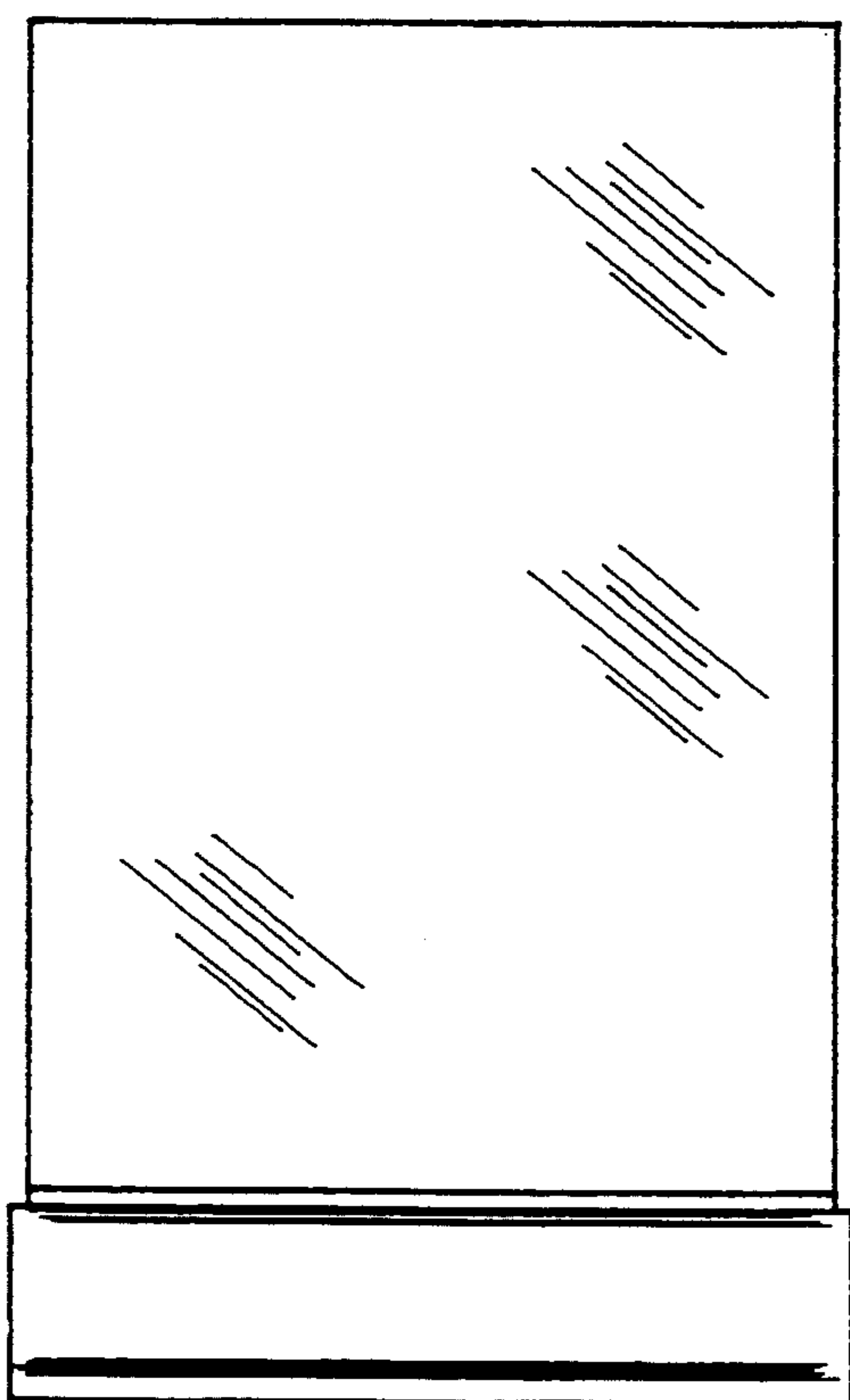


FIG. 4

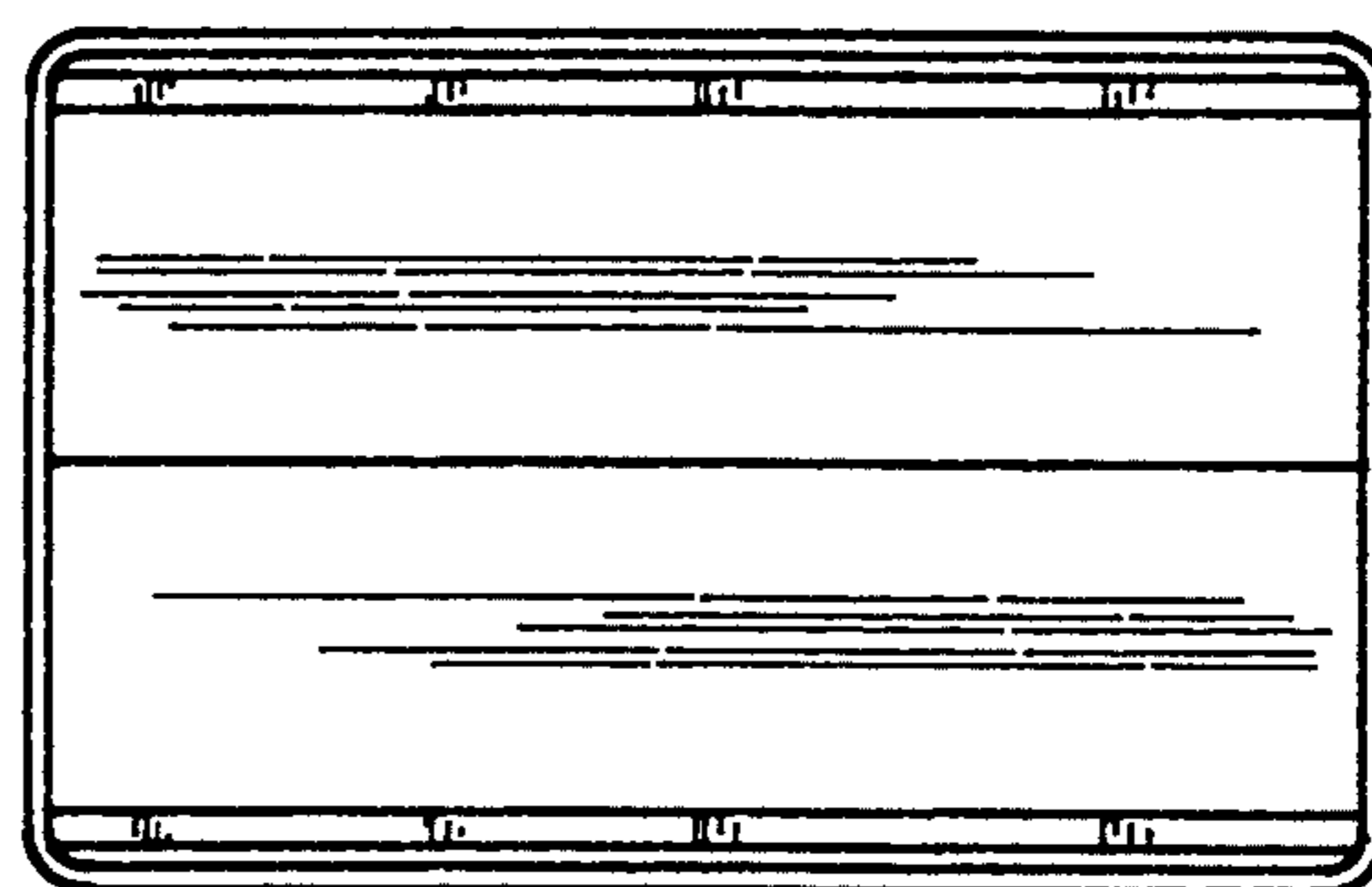


FIG. 5

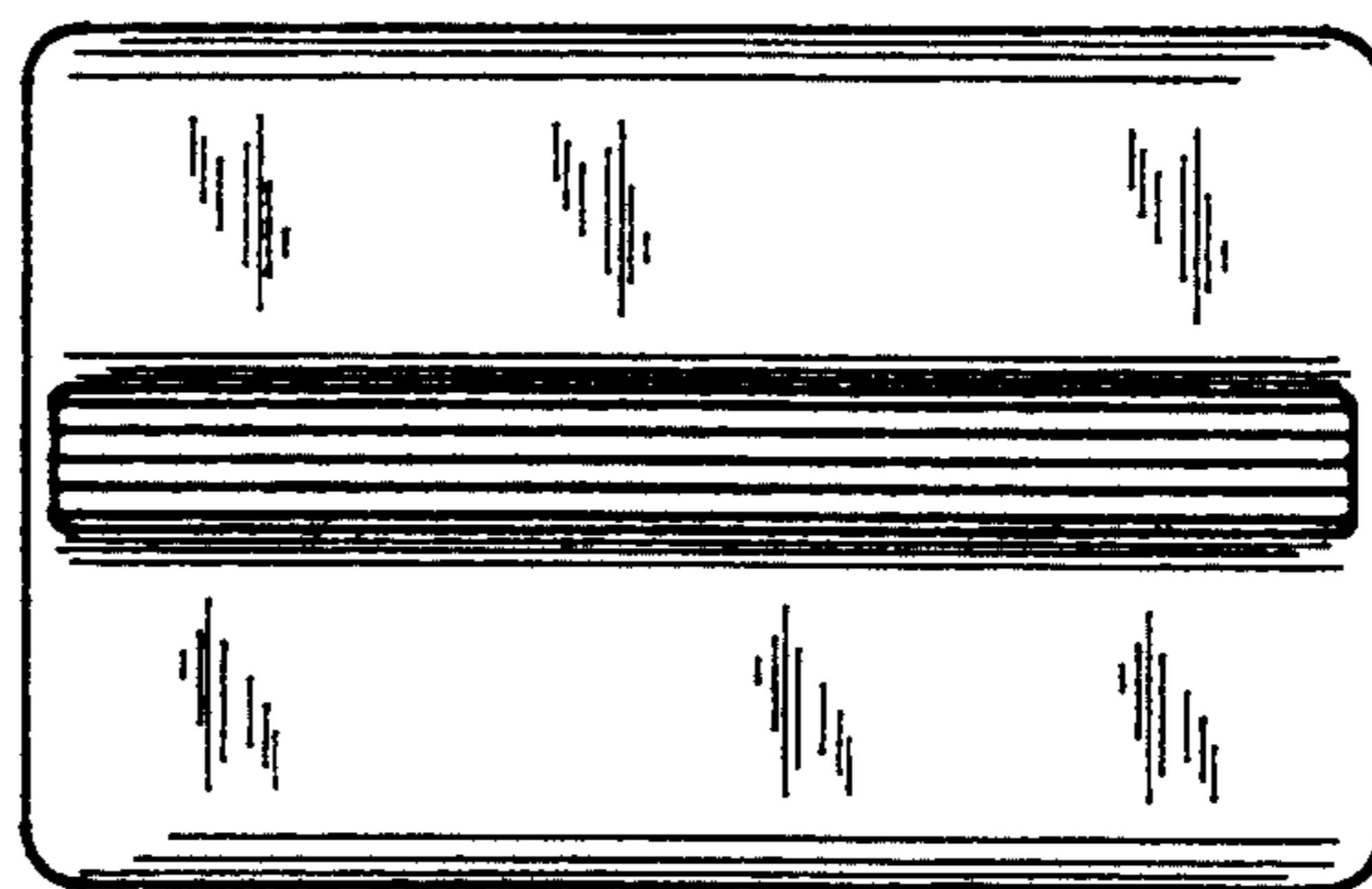


FIG. 6