



US00D350564S

United States Patent [19] Goodin

[11] Patent Number: **Des. 350,564**
[45] Date of Patent: **** Sep. 13, 1994**

[54] **PAPER PUNCH**

[75] Inventor: **John W. Goodin**, Coto de Caza, Calif.

[73] Assignee: **Master Product Manufacturing Company Inc.**, Los Angeles, Calif.

[**] Term: **14 Years**

[21] Appl. No.: **4,078**

[22] Filed: **Jan. 26, 1993**

[52] U.S. Cl. **D19/72**

[58] Field of Search **D8/49-52, D8/98; 83/167, 454, 465, 467, 560, 588, 618, 620, 633, 698; D19/65, 72, 95, 99, 100**

[56] **References Cited**

U.S. PATENT DOCUMENTS

D. 50,062	12/1916	Fuller	D19/65
D. 202,007	8/1965	Murray	D19/72
D. 279,299	6/1985	Semerjian	D19/72
D. 289,776	5/1987	Goertz et al.	D19/72
4,713,995	12/1987	Davi	83/167

OTHER PUBLICATIONS

Catalog pp. 786-792 entitled "Punches" from Stationer's Distributing Catalog ©1991.

Catalog pp. 321 & 322 entitled "Paper Punches" from Eastman Catalog ©1990.

Primary Examiner—Martie Thompson
Attorney, Agent, or Firm—Knobbe, Martens, Olson & Bear

[57] **CLAIM**

The ornamental design for a paper punch, as shown.

DESCRIPTION

FIG. 1 is a top perspective view of a paper punch showing my new design;

FIG. 2 is a front elevational view thereof;

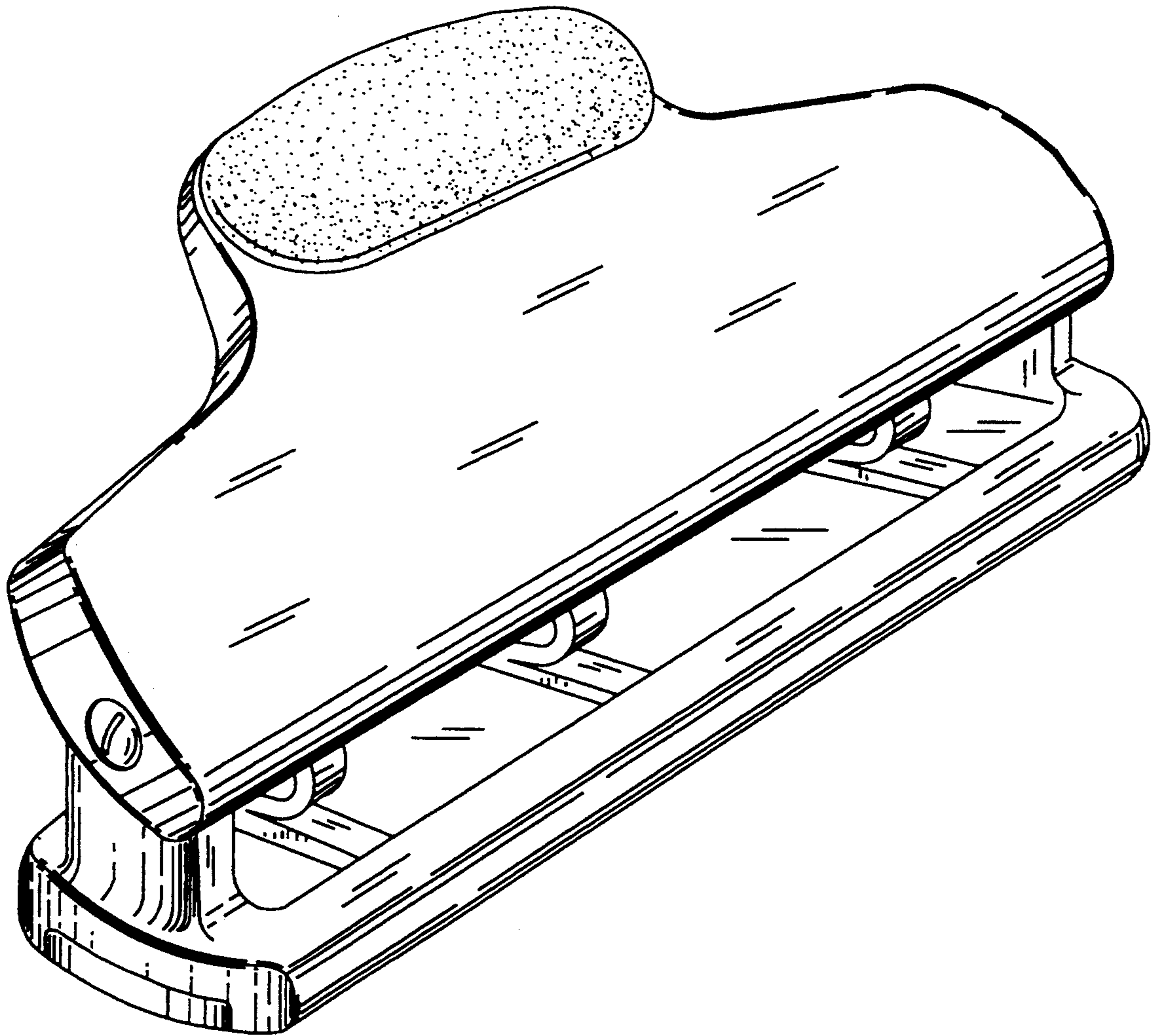
FIG. 3 is a rear elevational view thereof;

FIG. 4 is a right side elevational view thereof;

FIG. 5 is a left side elevational view thereof;

FIG. 6 is a top plan view thereof; and,

FIG. 7 is a bottom plan view thereof.



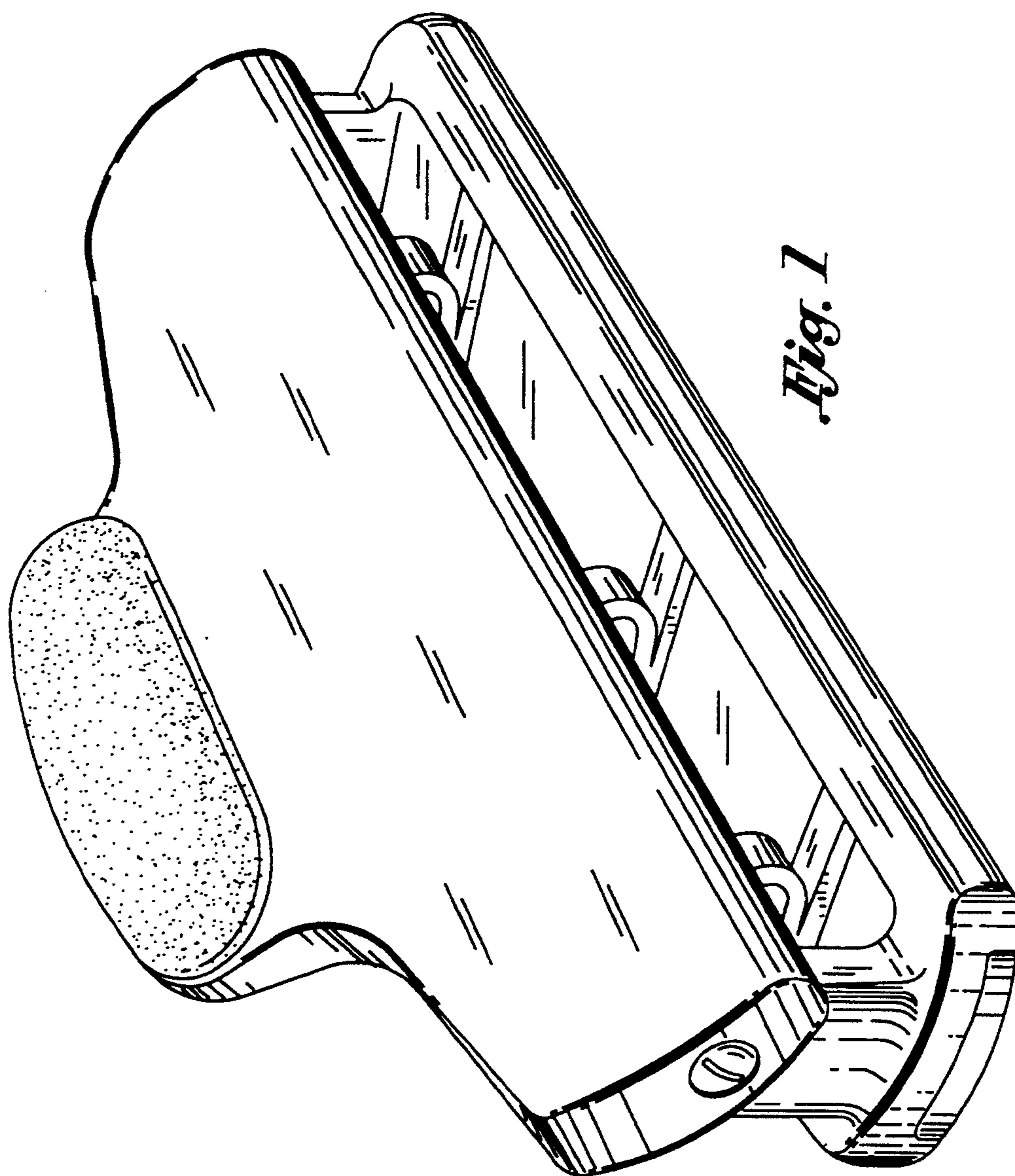


Fig. 1

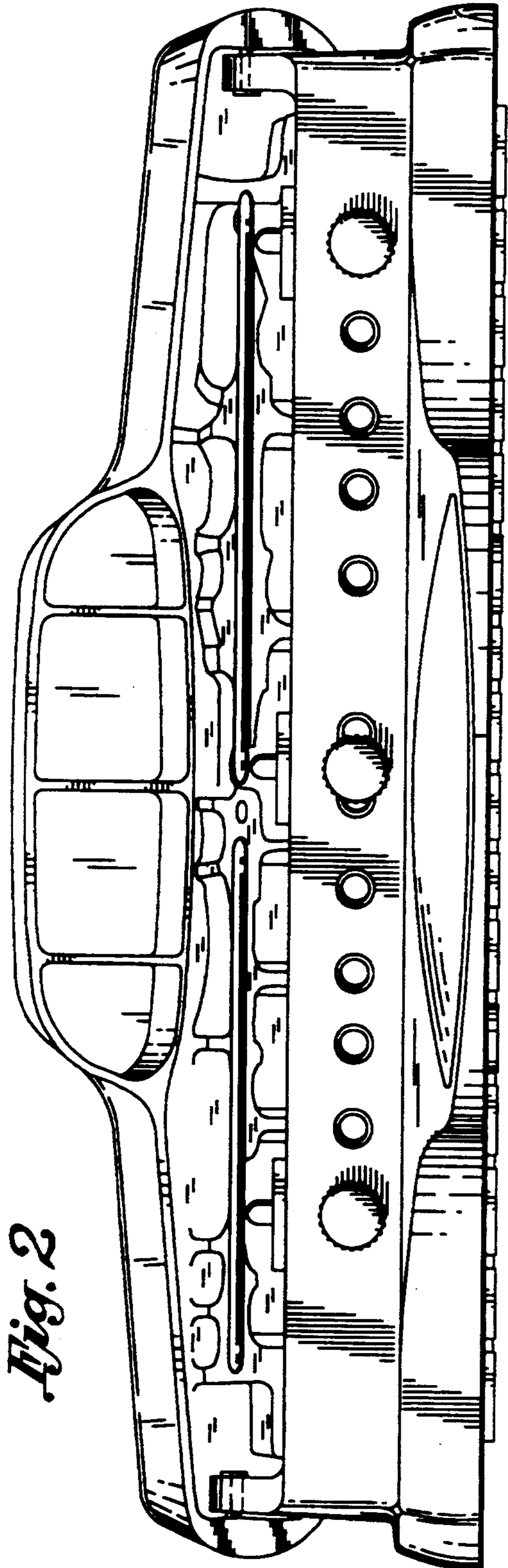


Fig. 2

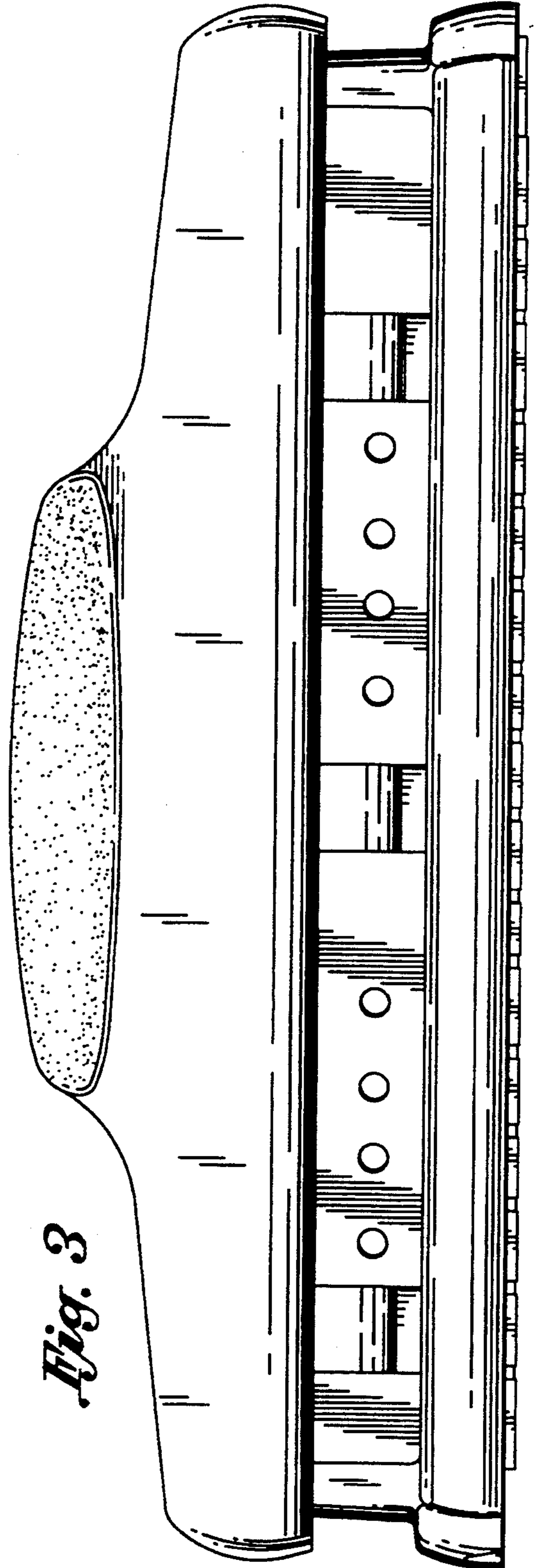


Fig. 3

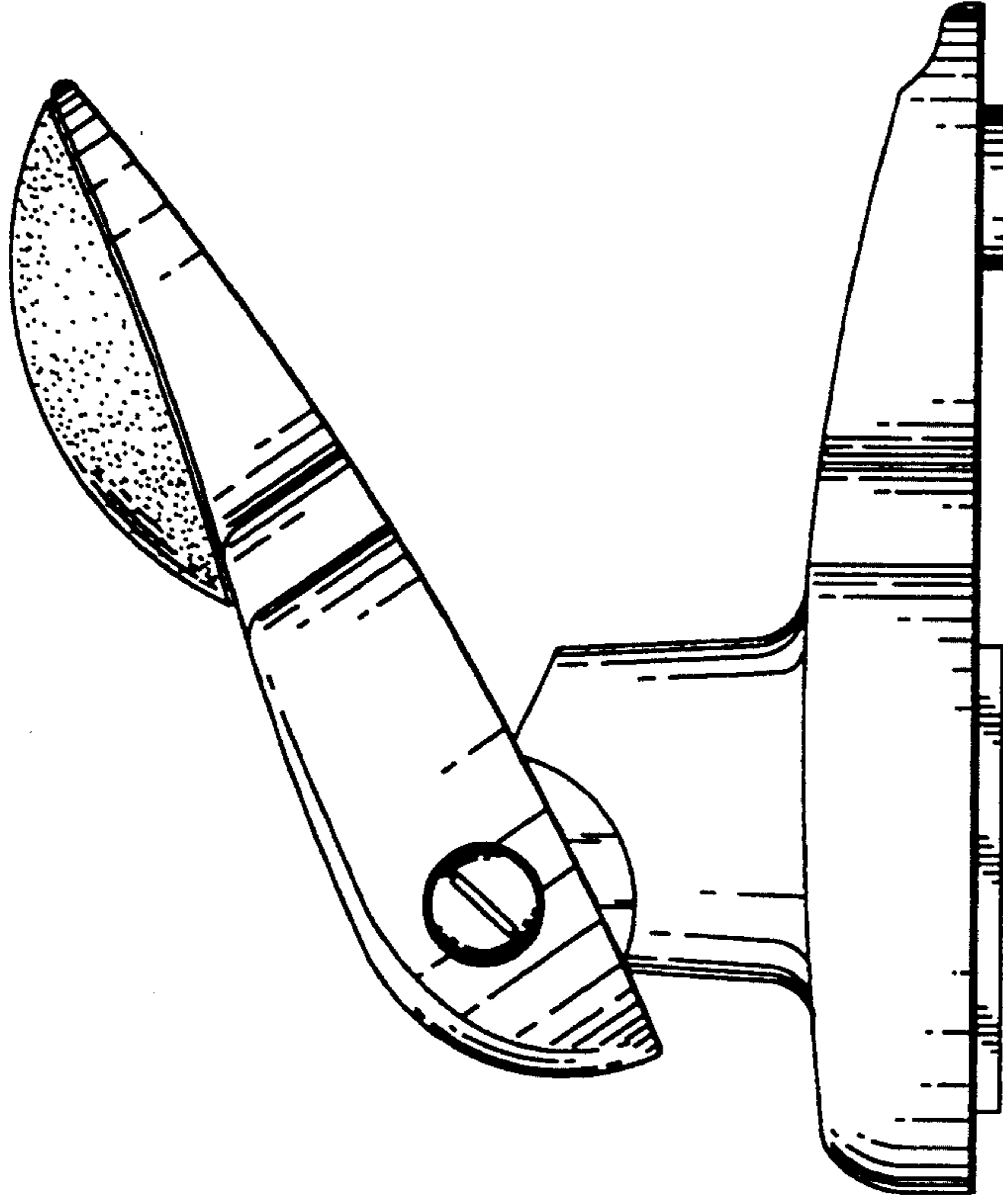


Fig. 5

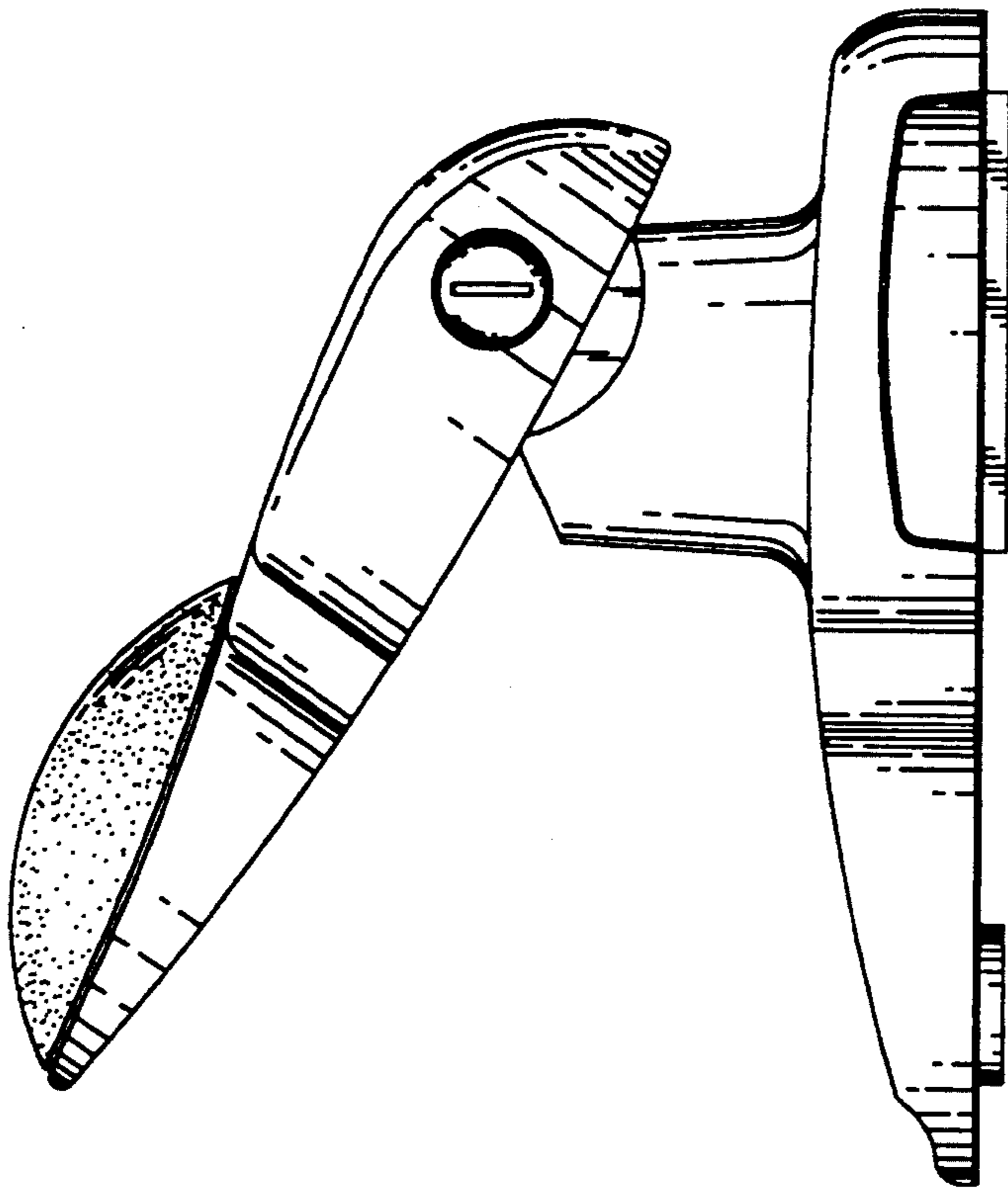


Fig. 4

