



US00D350560S

United States Patent [19]

[11] Patent Number: **Des. 350,560**

Iwamoto

[45] Date of Patent: **** Sep. 13, 1994**

[54] **INK RIBBON CARTRIDGE**
 [75] Inventor: **Masaaki Iwamoto**, Tokyo, Japan
 [73] Assignee: **Oki Electric Industry Co., Ltd.**,
 Tokyo, Japan
 [**] Term: **14 Years**
 [21] Appl. No.: **896,963**
 [22] Filed: **Jun. 11, 1992**
 [30] **Foreign Application Priority Data**

8907530 2/1990 Fed. Rep. of Germany .
 8906093 4/1990 Fed. Rep. of Germany .
 9001235 11/1990 Fed. Rep. of Germany .
 9004730 11/1990 Fed. Rep. of Germany .
 215767 3/1984 France .
 245970 7/1986 France .
 264840 8/1988 France .
 281476 12/1989 France .
 038772 9/1984 Japan .
 660985 6/1985 Japan .
 006286 2/1988 Japan .
 759121 12/1988 Japan .
 3132387 6/1991 Japan 400/196

Apr. 3, 1992 [JP] Japan 09717/1992
 [52] U.S. Cl. **D18/12**
 [58] Field of Search 400/194, 195, 196, 196.1,
 400/207, 208; D18/12, 56, 99

OTHER PUBLICATIONS

Catalogue: By Fujitsu Kabushiki Kaisha; Date Un-
 known.
 Catalogue: By Kabushiki Kaisha Toshiba; Date Un-
 known.
 Catalogue: By NEC; Date Unknown.

[56] References Cited

U.S. PATENT DOCUMENTS

D. 237,010 9/1975 Gnutzman et al. D18/1
 D. 284,978 8/1986 Kusabuka et al. D18/12
 D. 302,438 7/1989 Omino et al. D18/12
 D. 302,827 8/1989 Fujita D18/12
 4,653,947 3/1987 Echols 400/196.1 X
 4,832,514 5/1989 Basile 400/208 X
 5,141,342 8/1992 Kawahara 400/194 X

Primary Examiner—Alan P. Douglas
Assistant Examiner—Caron D. Veynar
Attorney, Agent, or Firm—Wenderoth, Lind & Ponack

[57] CLAIM

The ornamental design for an ink ribbon cartridge, as
 shown and described.

FOREIGN PATENT DOCUMENTS

52819 4/1984 Canada .
 52956 6/1984 Canada .
 52957 6/1984 Canada .
 55622 1/1986 Canada .
 59700 11/1987 Canada .
 59719 11/1987 Canada .
 64240 9/1989 Canada .
 018384 12/1990 Canada .
 8801013 11/1988 Fed. Rep. of Germany .
 8803078 6/1989 Fed. Rep. of Germany .
 8804183 6/1989 Fed. Rep. of Germany .

DESCRIPTION

FIG. 1 is a right side, top and front perspective view of
 an ink ribbon cartridge showing my new design;
 FIG. 2 is a front elevational view thereof;
 FIG. 3 is a rear elevational view thereof;
 FIG. 4 is a top plan view thereof;
 FIG. 5 is a bottom view thereof;
 FIG. 6 is a left side elevational view thereof;
 FIG. 7 is a right side elevational view thereof; and,
 FIG. 8 is a sectional view thereof, taken along line
 VIII—VIII in FIG. 2.

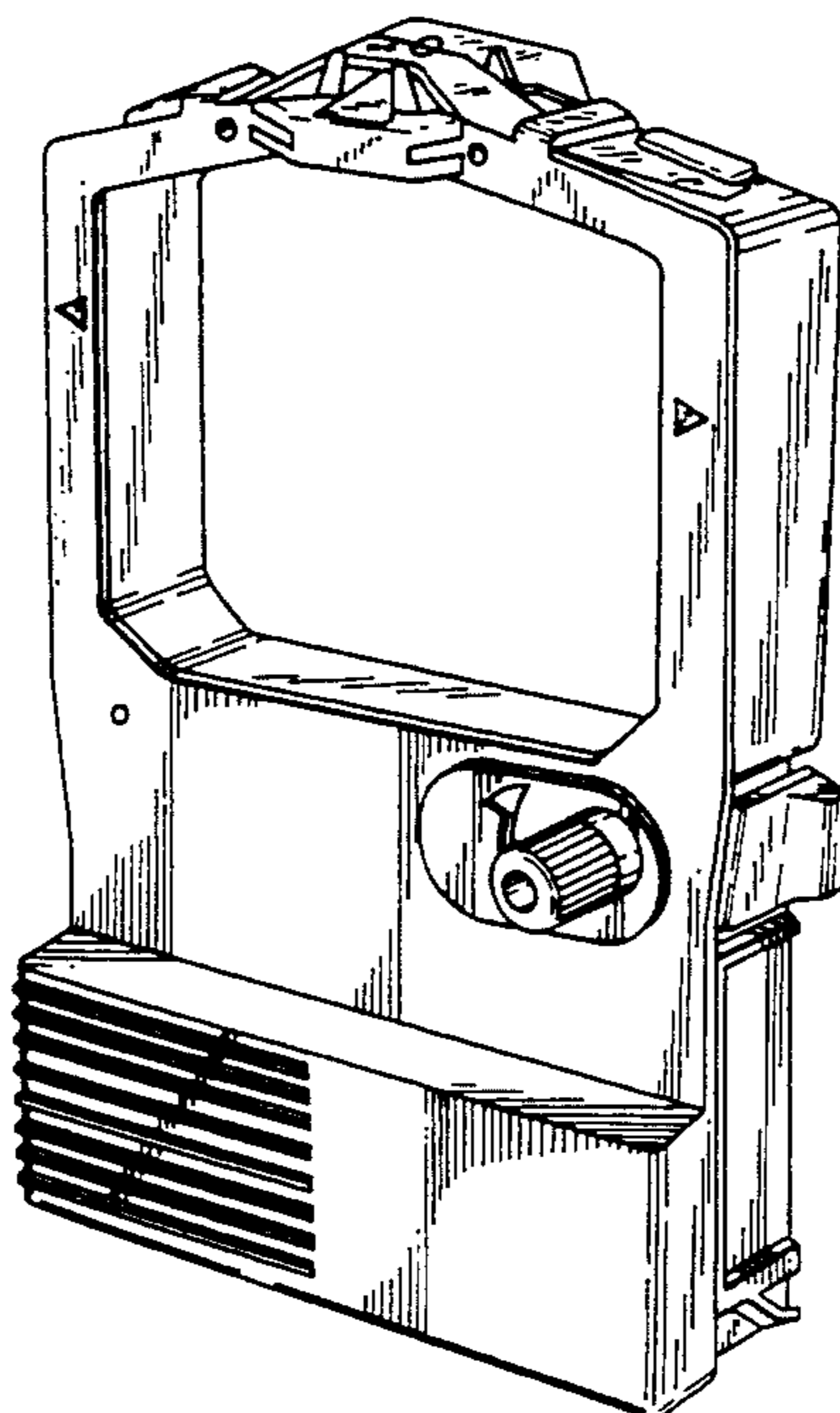


Fig. 1

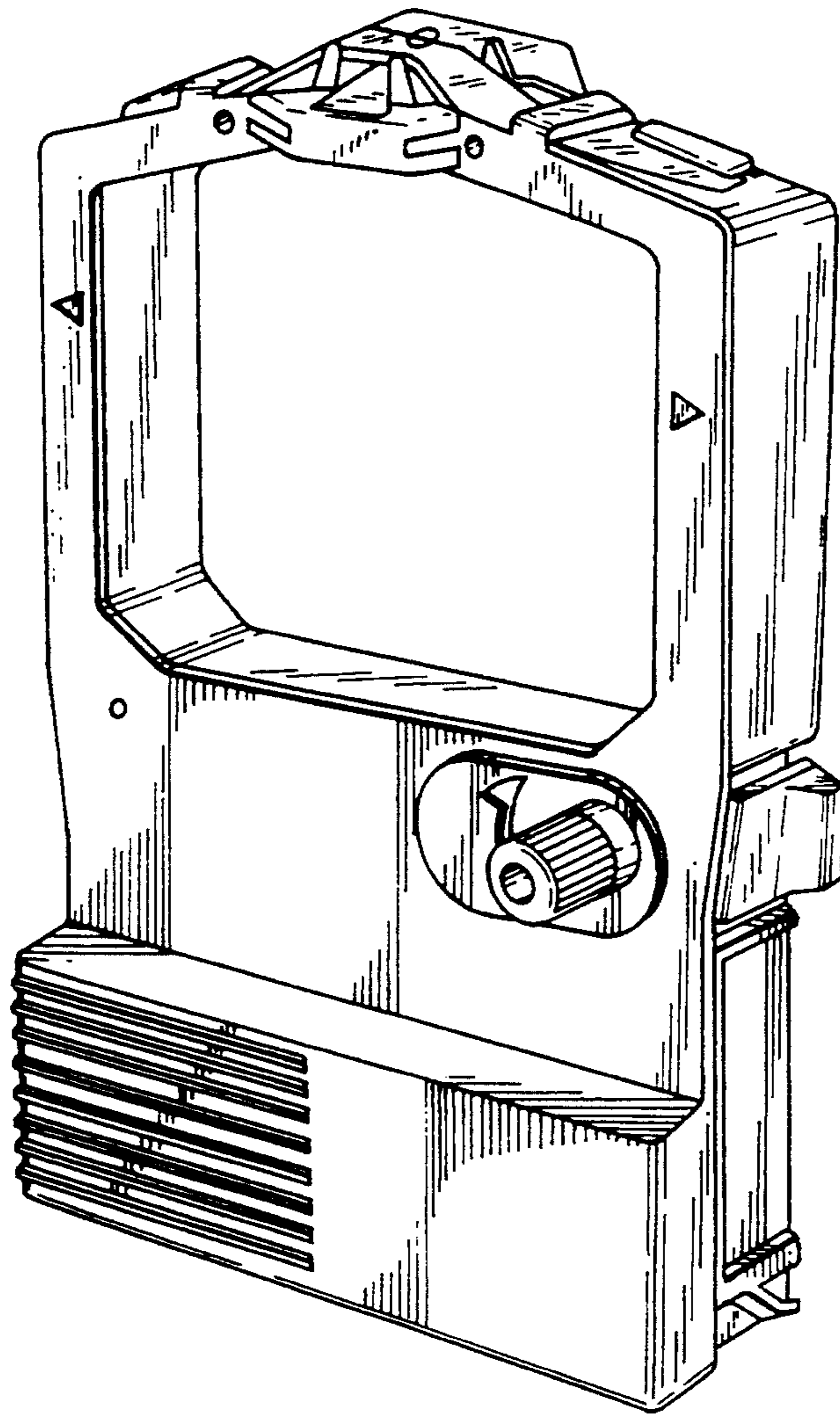


Fig. 2

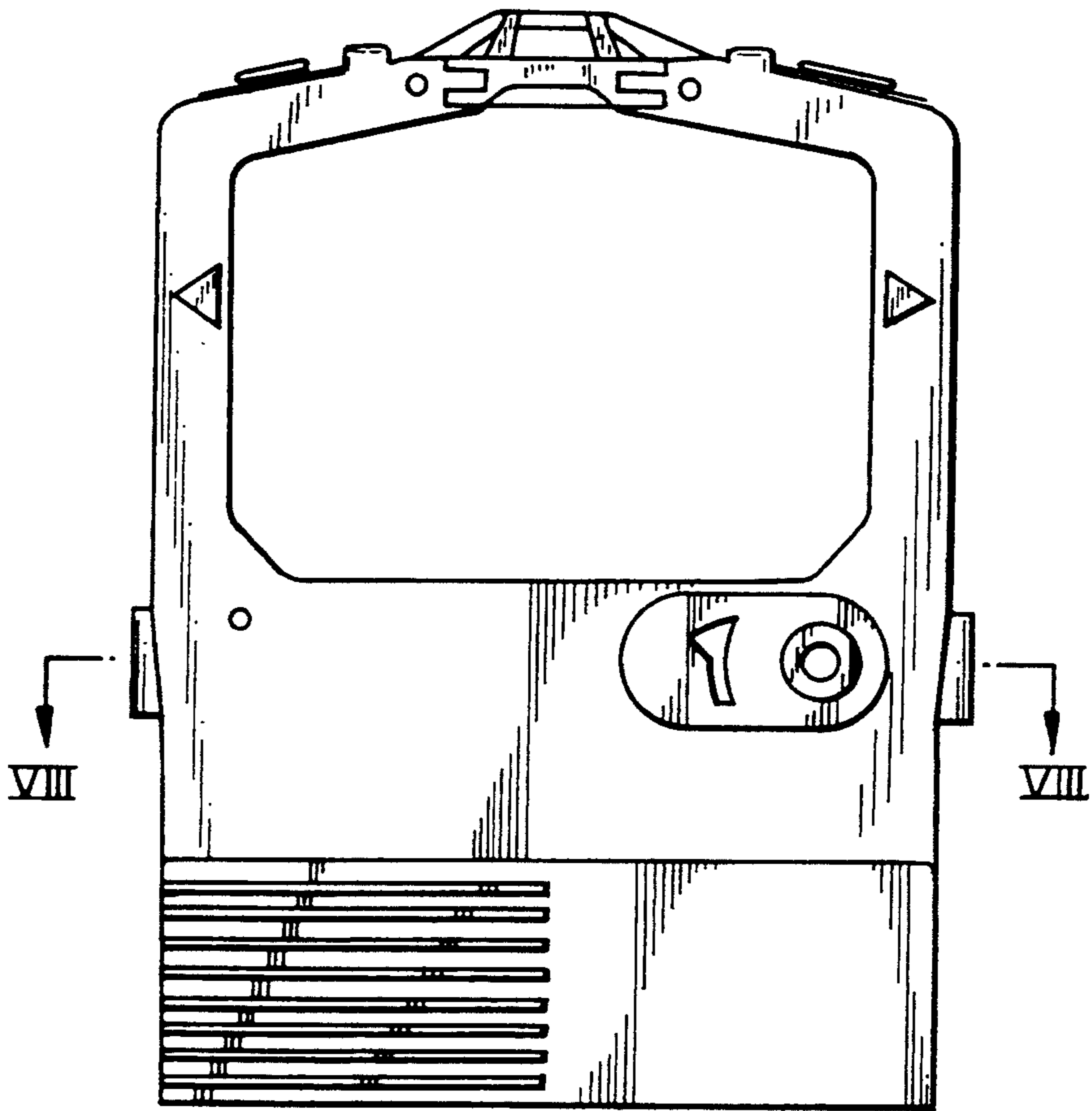


Fig. 3

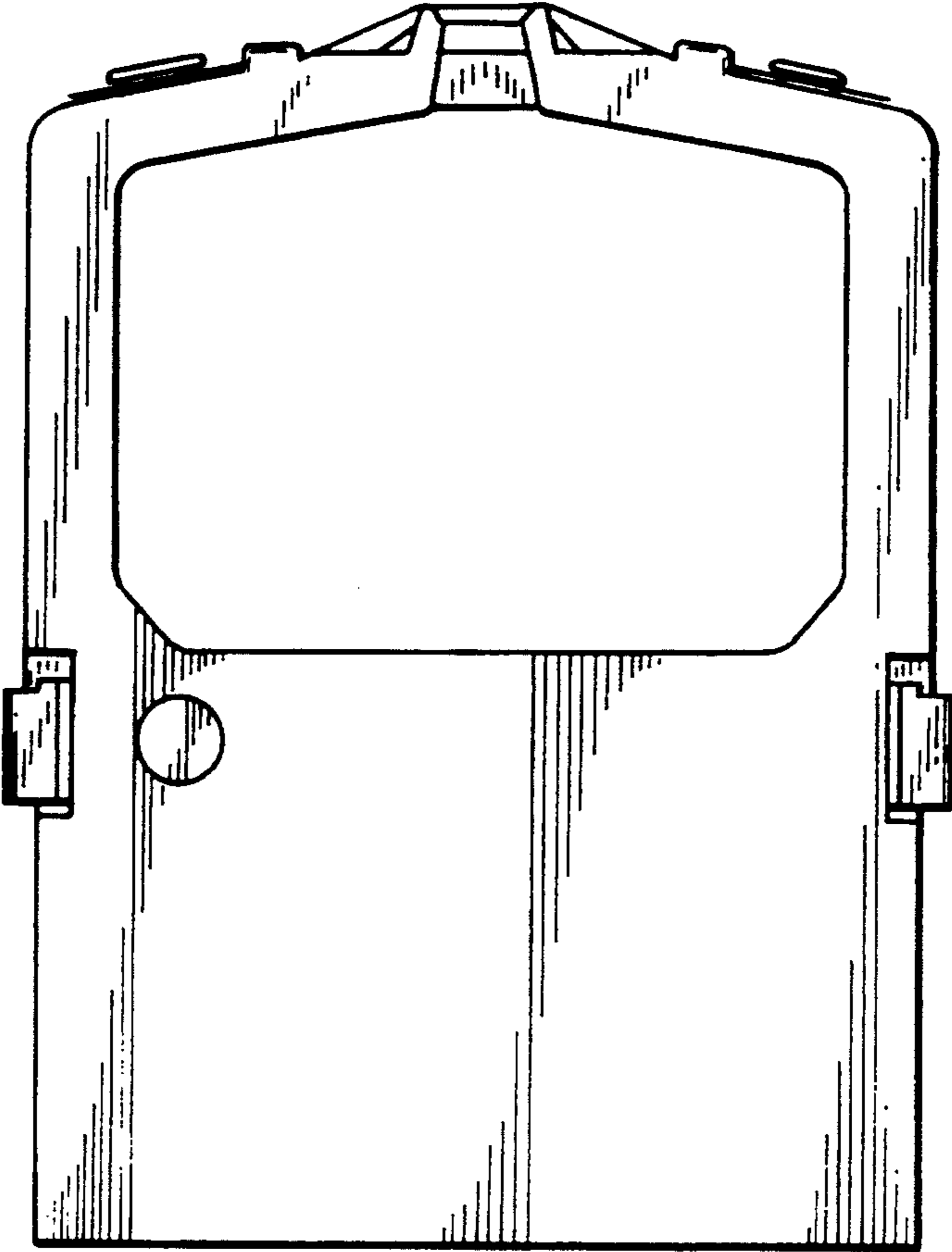


Fig. 4

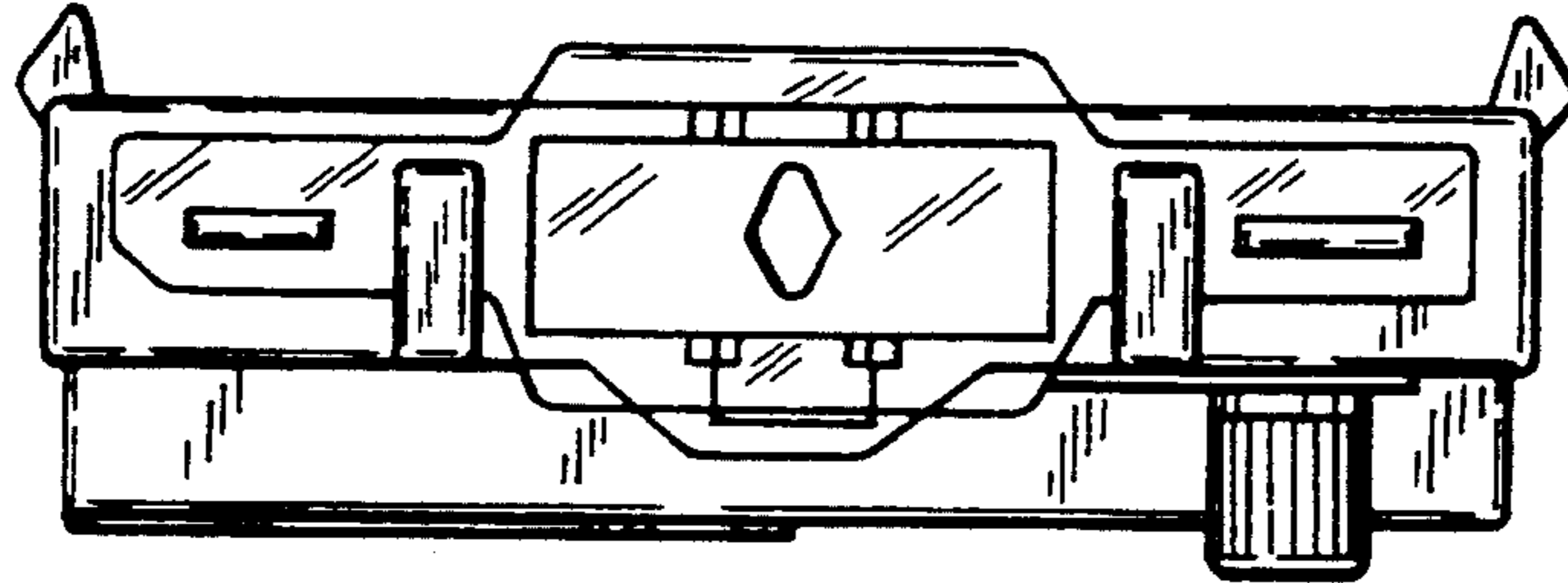


Fig. 5

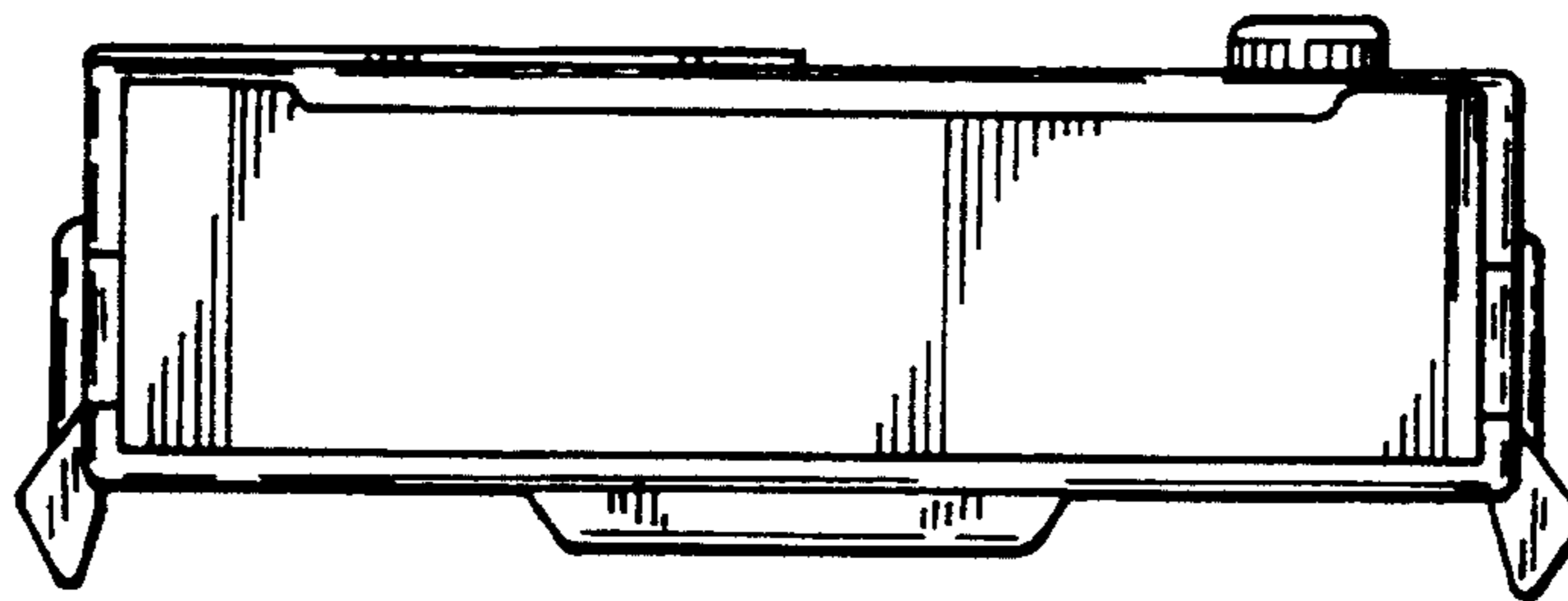


Fig. 6

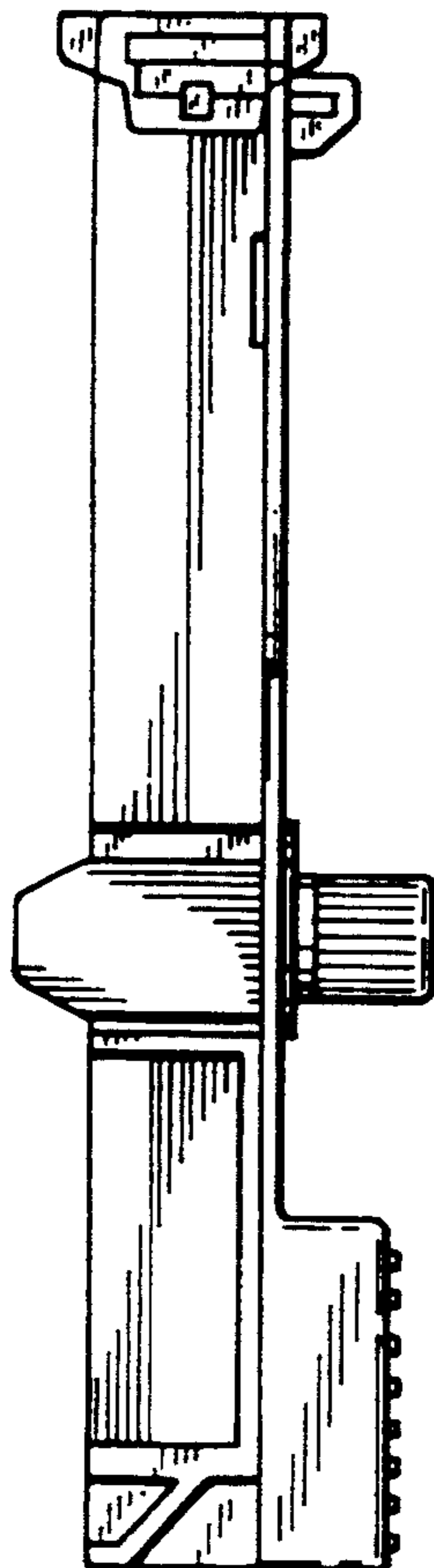


Fig. 7

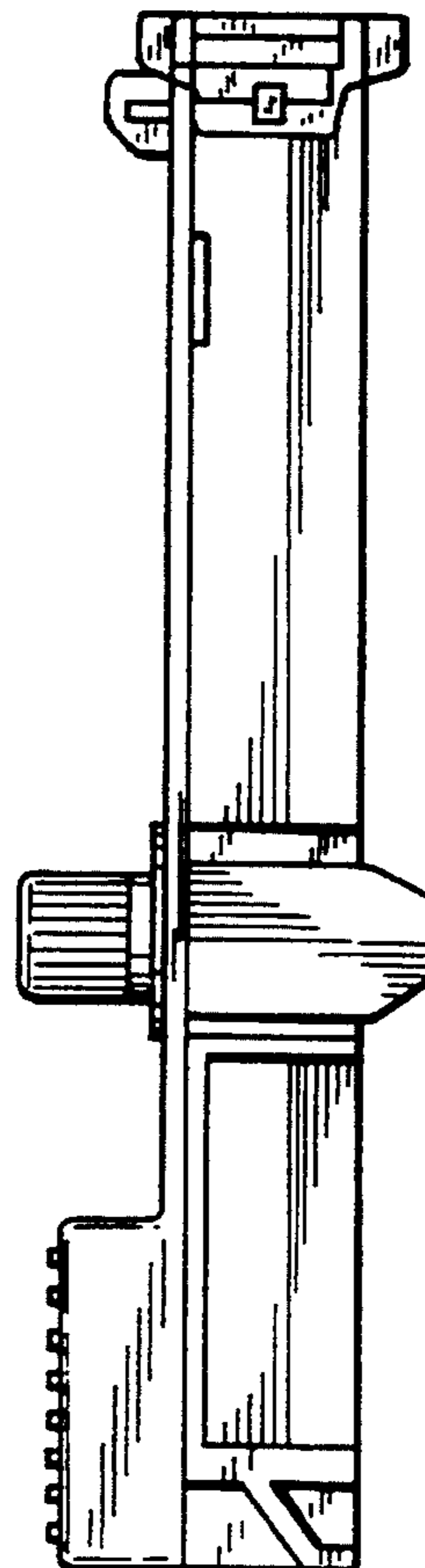


Fig. 8

