



US00D350552S

# United States Patent [19] Cha

[11] Patent Number: **Des. 350,552**

[45] Date of Patent: **\*\* Sep. 13, 1994**

[54] VIDEO CAMERA

[75] Inventor: **Gang H. Cha**, Inchon, Rep. of Korea

[73] Assignee: **Goldstar Co., Ltd.**, Seoul, Rep. of Korea

[\*\*] Term: **14 Years**

[21] Appl. No.: **5,203**

[22] Filed: **Feb. 26, 1993**

[30] Foreign Application Priority Data

Aug. 28, 1992 [KR] Rep. of Korea ..... 1992/14600

[52] U.S. Cl. .... **D16/202**

[58] Field of Search ..... 352/34, 242, 243;  
354/82, 288; 358/229, 906; D16/200-206, 208

[56] References Cited

### U.S. PATENT DOCUMENTS

D. 314,782	2/1991	Hong	.....	D16/202
D. 316,554	4/1991	Ooi et al.	.....	D16/202
D. 316,718	5/1991	Shim	.....	D16/202
D. 325,921	5/1992	Ooi et al.	.....	D16/202

D. 332,794	1/1993	Takita	.....	D16/202
4,623,931	11/1986	Inaga et al.	.....	358/229

### OTHER PUBLICATIONS

Video Review, Jun. 1987, p. 41 (Magnavox's VR 8293).  
Video Review, Oct. 1987, p. 56 (Radio Shack's Camcorder, 100).

*Primary Examiner*—Bernard Ansher  
*Assistant Examiner*—Adir Aronovich  
*Attorney, Agent, or Firm*—Thomas R. Morrison

[57] CLAIM

The ornamental design for a video camera, as shown and described.

### DESCRIPTION

FIG. 1 is a perspective view showing my new design; FIG. 2 is a front elevational view thereof; FIG. 3 is a rear elevational view thereof; FIG. 4 is a left side elevational view thereof; FIG. 5 is a right side elevational view thereof; FIG. 6 is a top plan view thereof; and, FIG. 7 is a bottom plan view thereof.

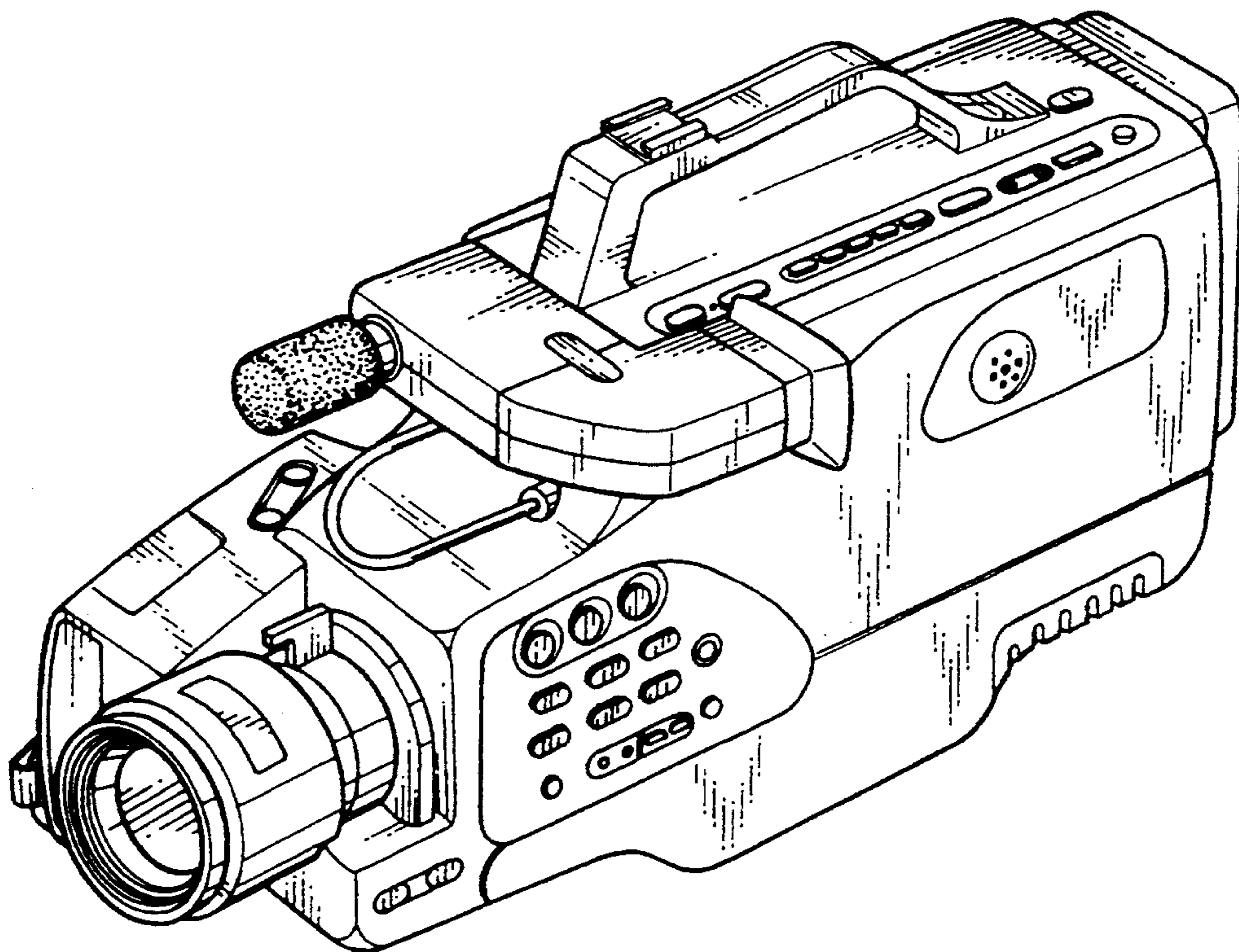
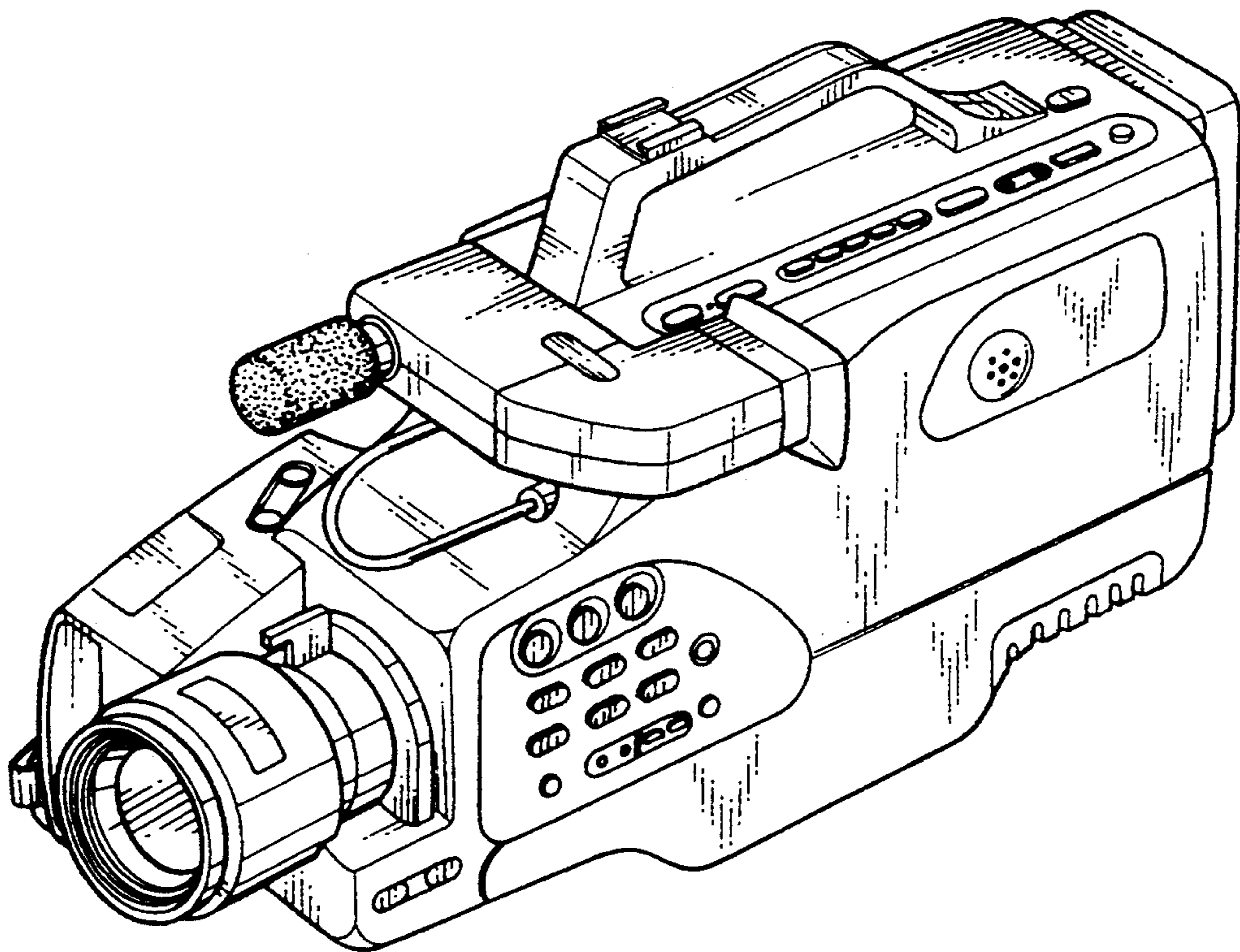
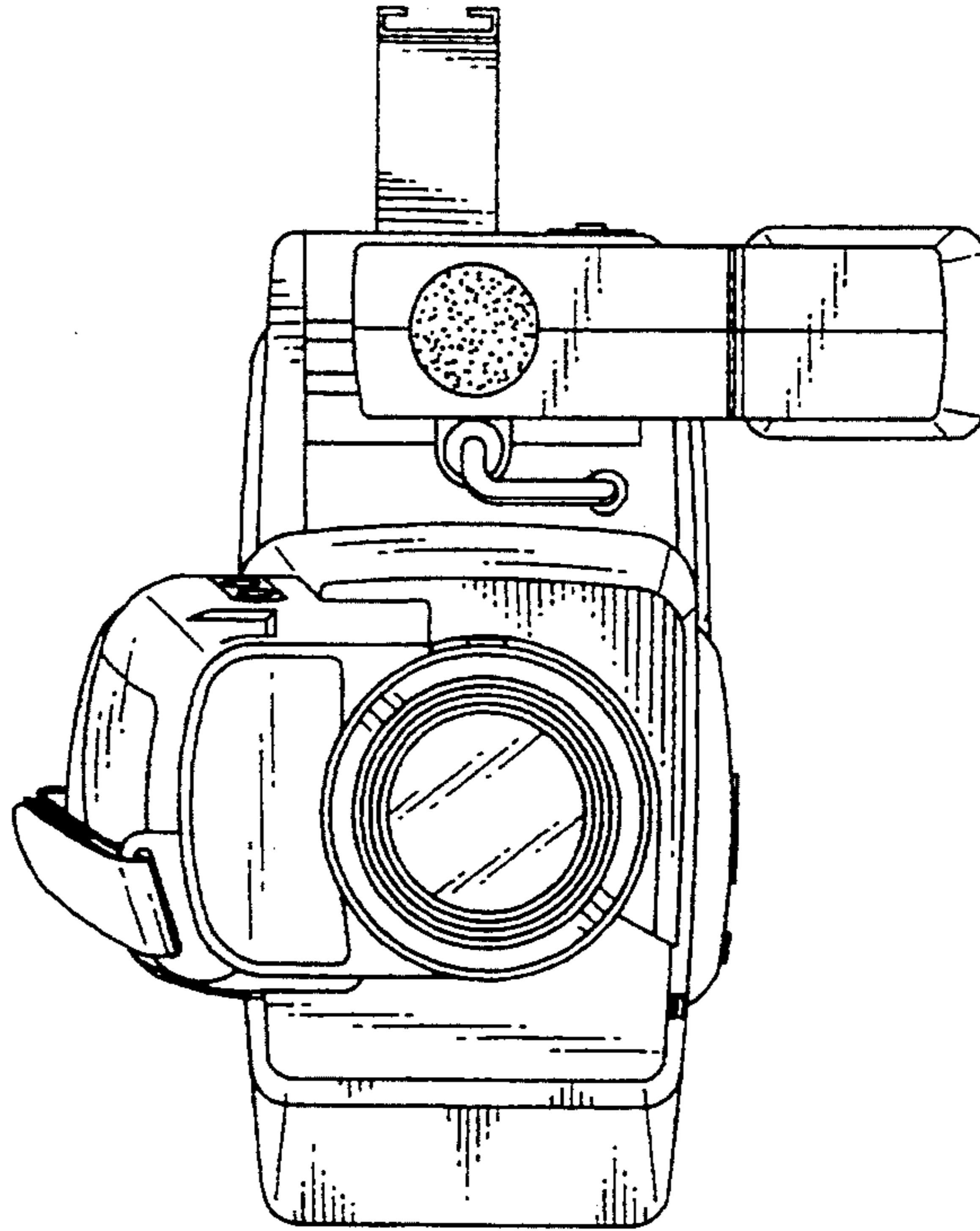


FIG. 1



F I G . 2



F I G . 3

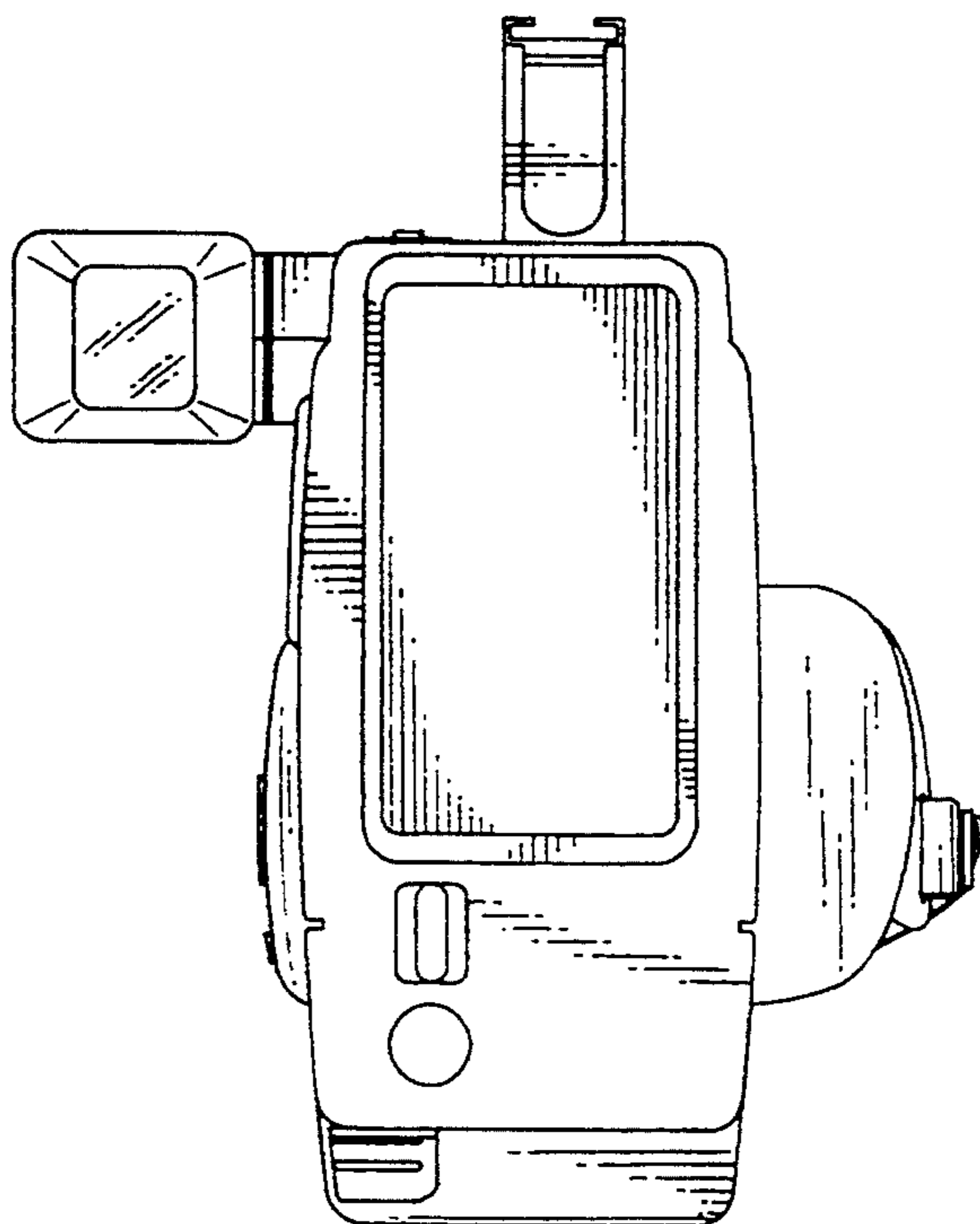




FIG. 4

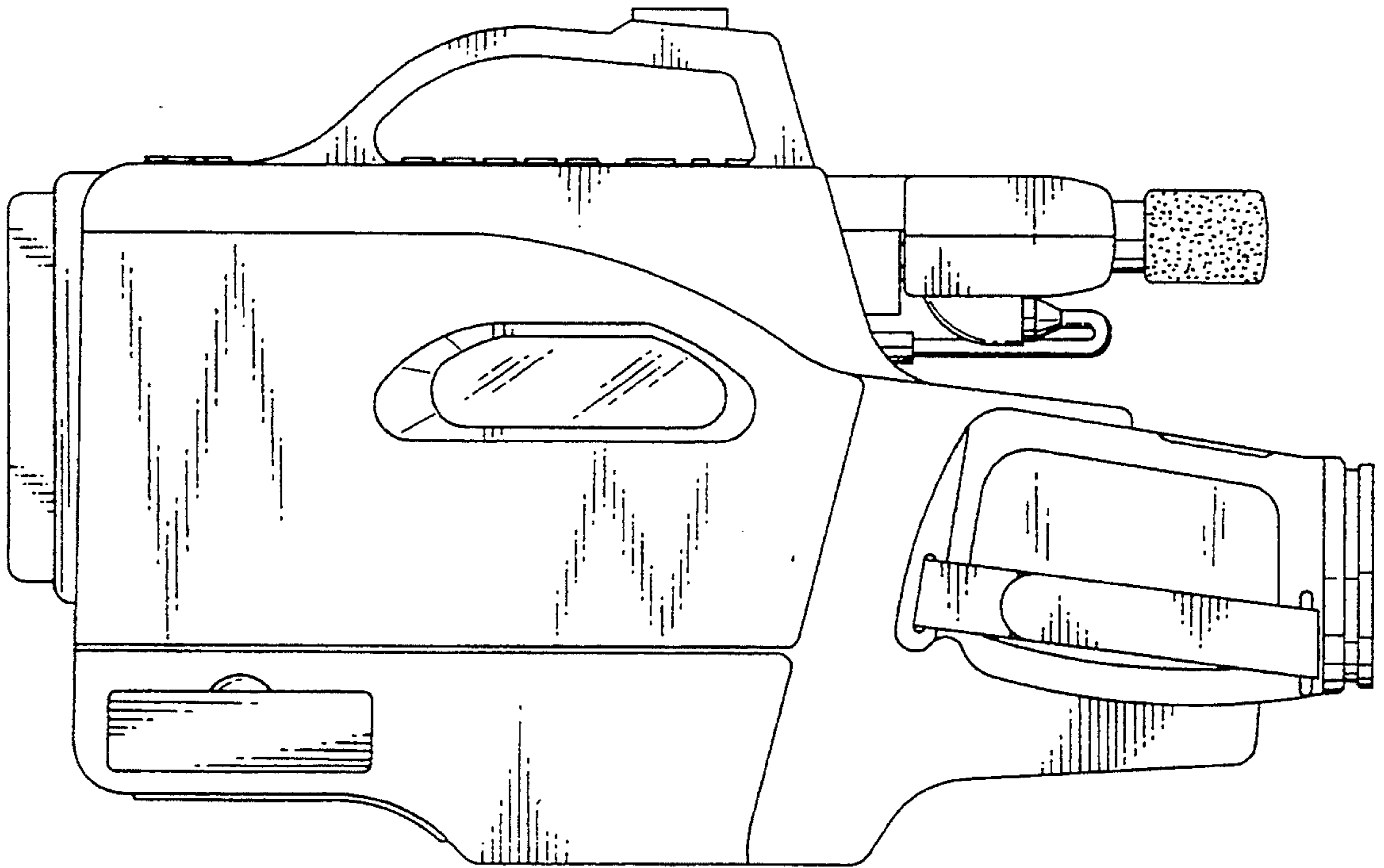


FIG. 5

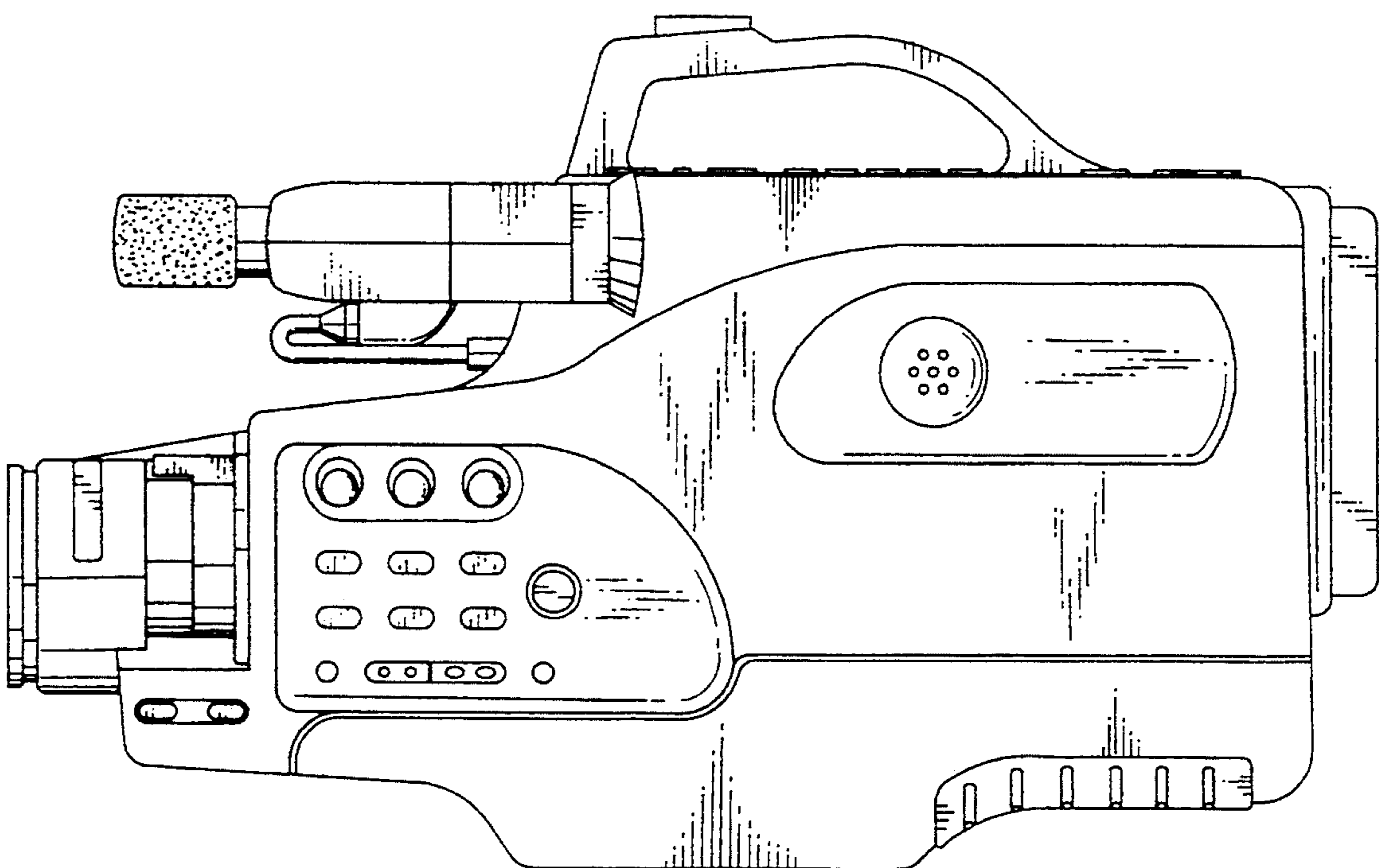


FIG. 6

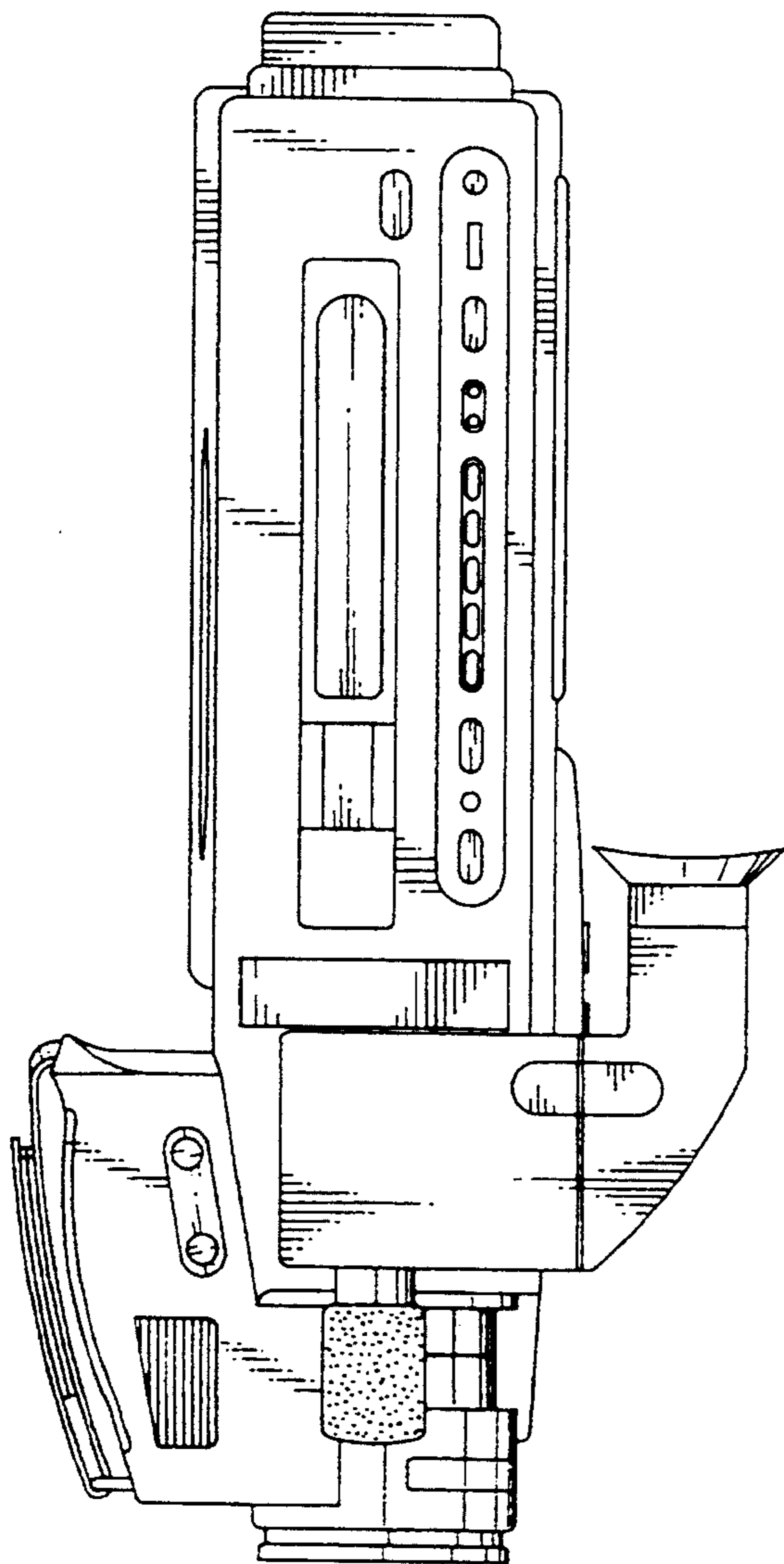


FIG. 7

