



US00D350550S

United States Patent [19]

[11] Patent Number: **Des. 350,550**

Maruyama

[45] Date of Patent: **** Sep. 13, 1994**

[54] **VACUUM SEALER**

[75] Inventor: **Ichiro Maruyama, Osaka, Japan**

[73] Assignee: **Fuji Impulse Co., Ltd., Osaka, Japan**

[**] Term: **14 Years**

[21] Appl. No.: **8,744**

[22] Filed: **May 28, 1993**

[52] U.S. Cl. **D15/146**

[58] Field of Search **53/373.2, 373.3, 373.4, 53/373.8, 405, 432, 433, 434; 156/538, 583.1-583.91; D15/145, 146**

[56] **References Cited**

U.S. PATENT DOCUMENTS

D. 208,496	9/1967	Kreitz	D15/146
D. 243,712	3/1977	Morris et al.	D15/149 X
D. 281,169	10/1985	Hillier	D15/146
4,587,793	5/1986	Brennan et al.	53/434 X
4,974,393	12/1990	Rich et al.	53/433
5,187,917	2/1993	Mykleby	53/434

Primary Examiner—Alan P. Douglas
Assistant Examiner—Antoine O. Davis
Attorney, Agent, or Firm—Edwin E. Greigg; Ronald E. Greigg

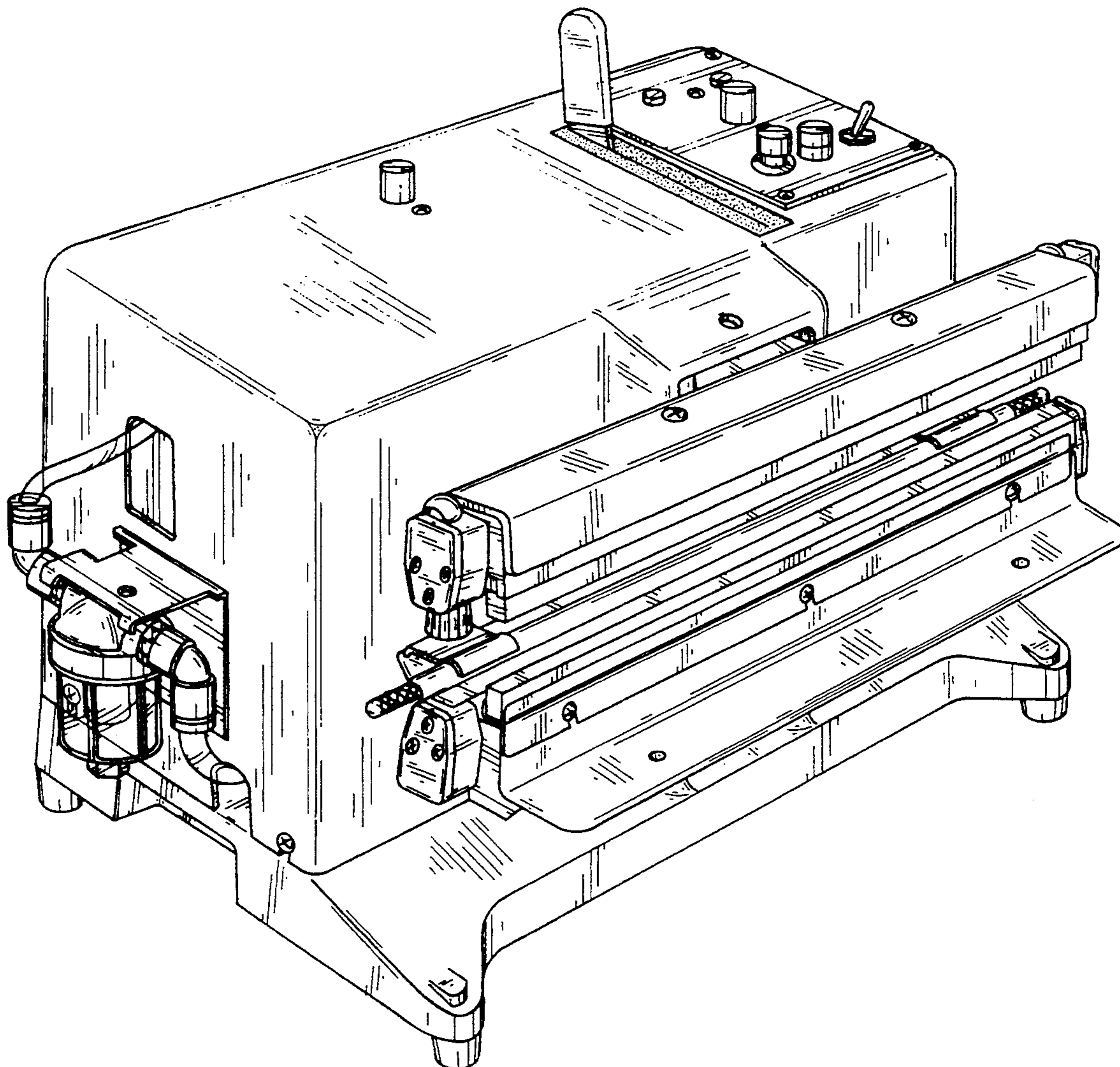
[57] **CLAIM**

The ornamental design for a vacuum sealer, as shown and described.

DESCRIPTION

FIG. 1 is a perspective view of a vacuum sealer showing my new design;
FIG. 2 is a rear elevation;
FIG. 3 is a front elevation;
FIG. 4 is a right side elevation;
FIG. 5 is a left side elevation;
FIG. 6 is a top plan view; and,
FIG. 7 is a bottom plan view.

The broken line showing of a partial electrical cord is for illustrative purposes only and forms no part of the claimed design.



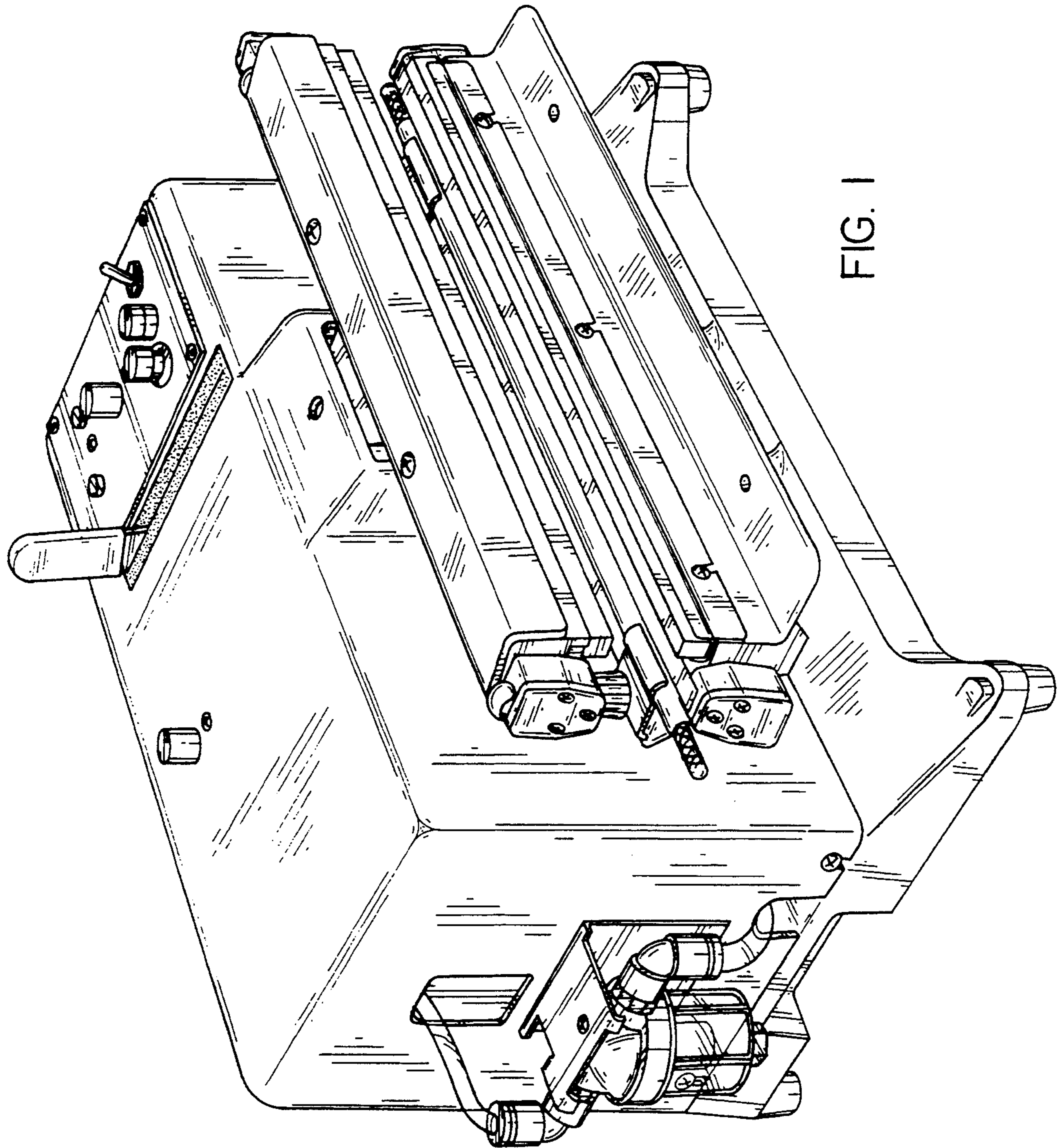


FIG. 1

FIG. 2

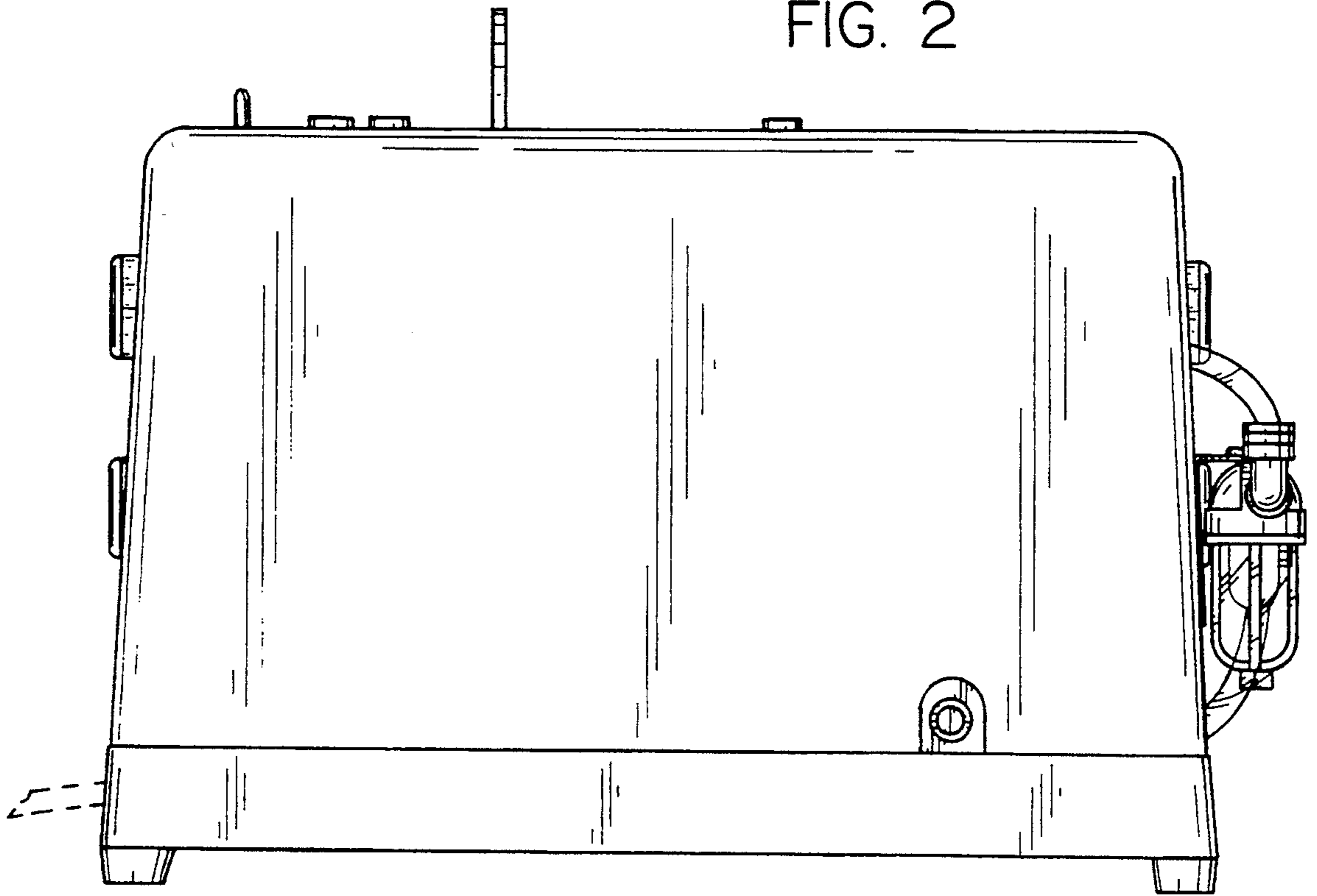


FIG. 3

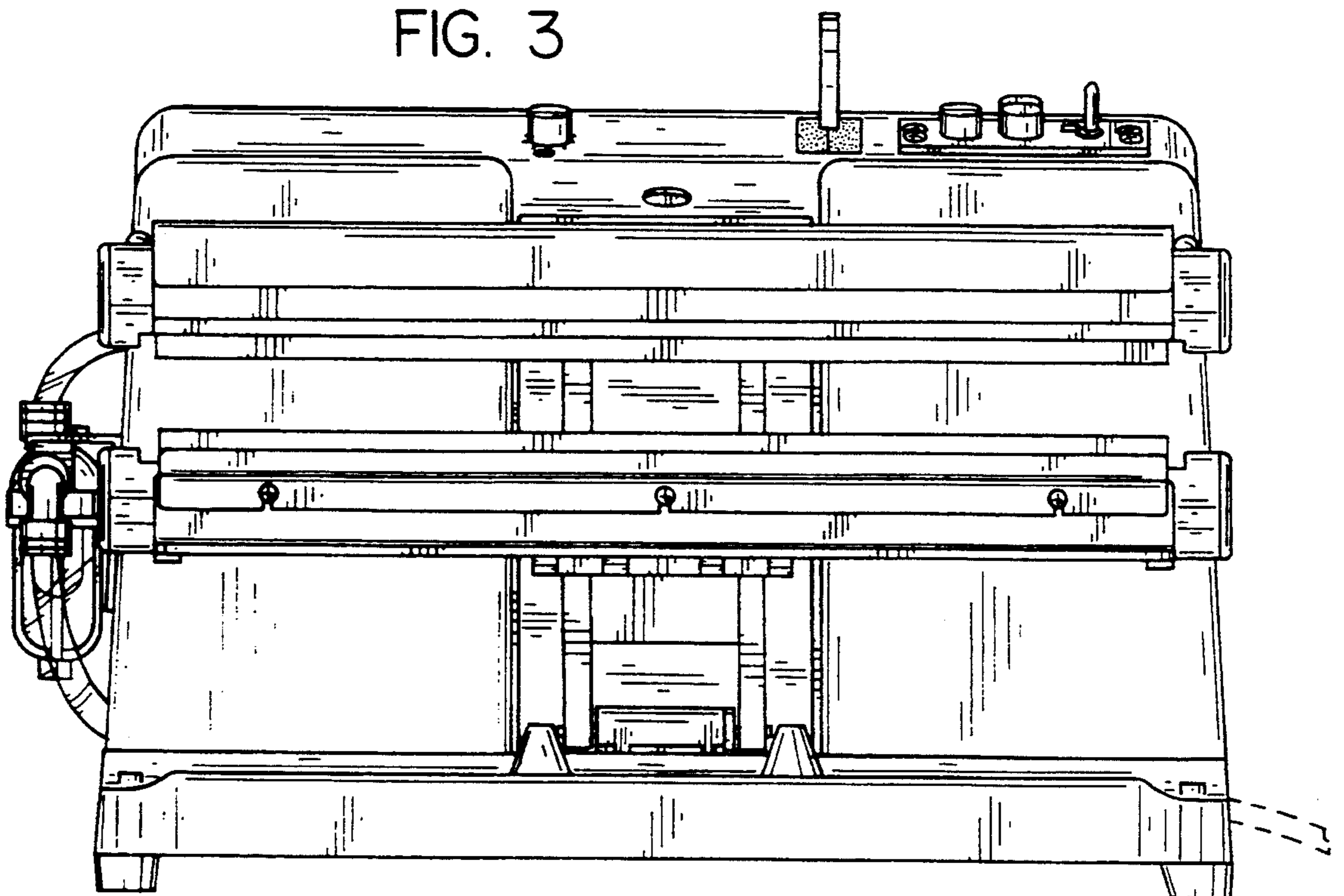


FIG. 4

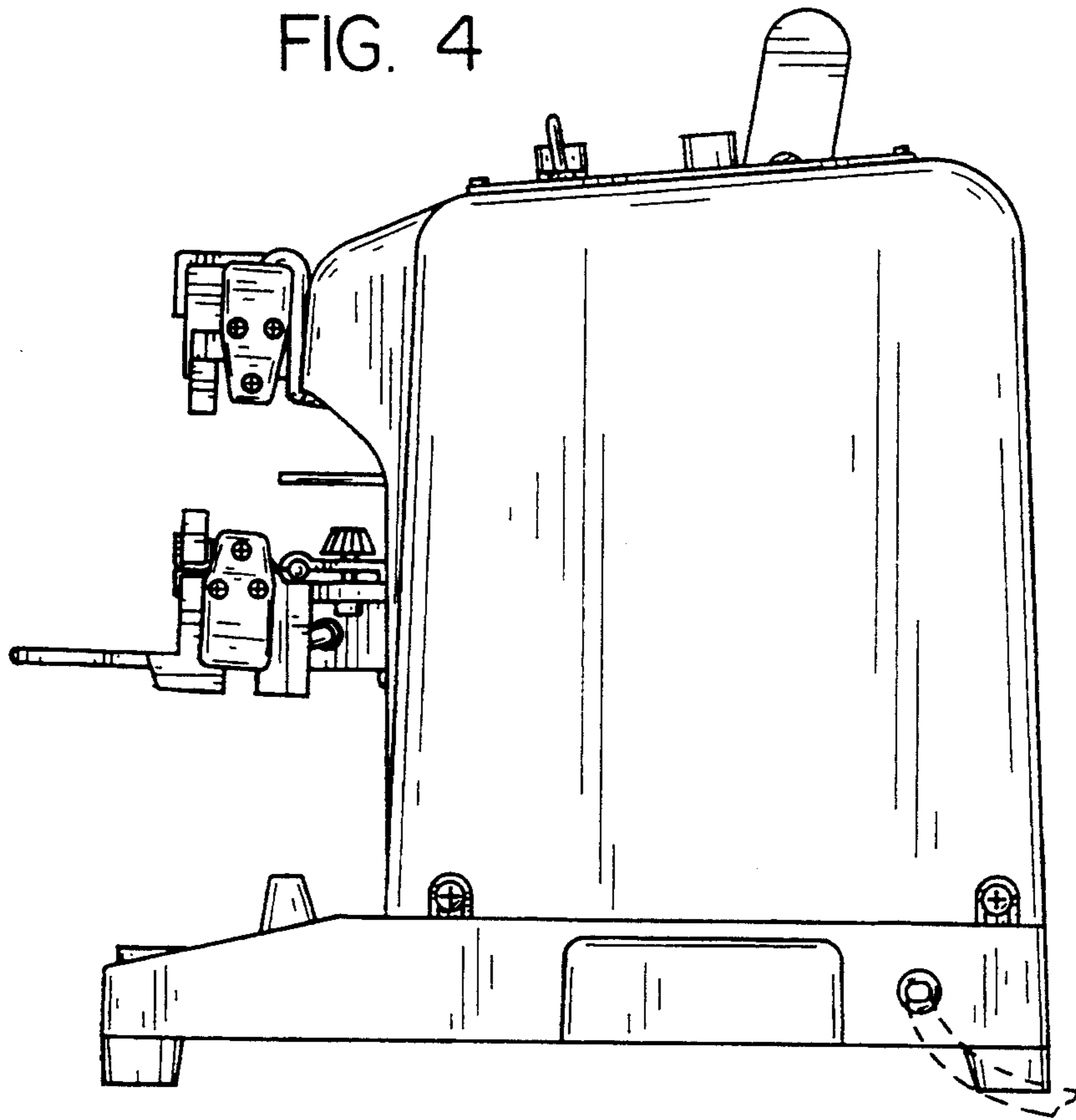


FIG. 5

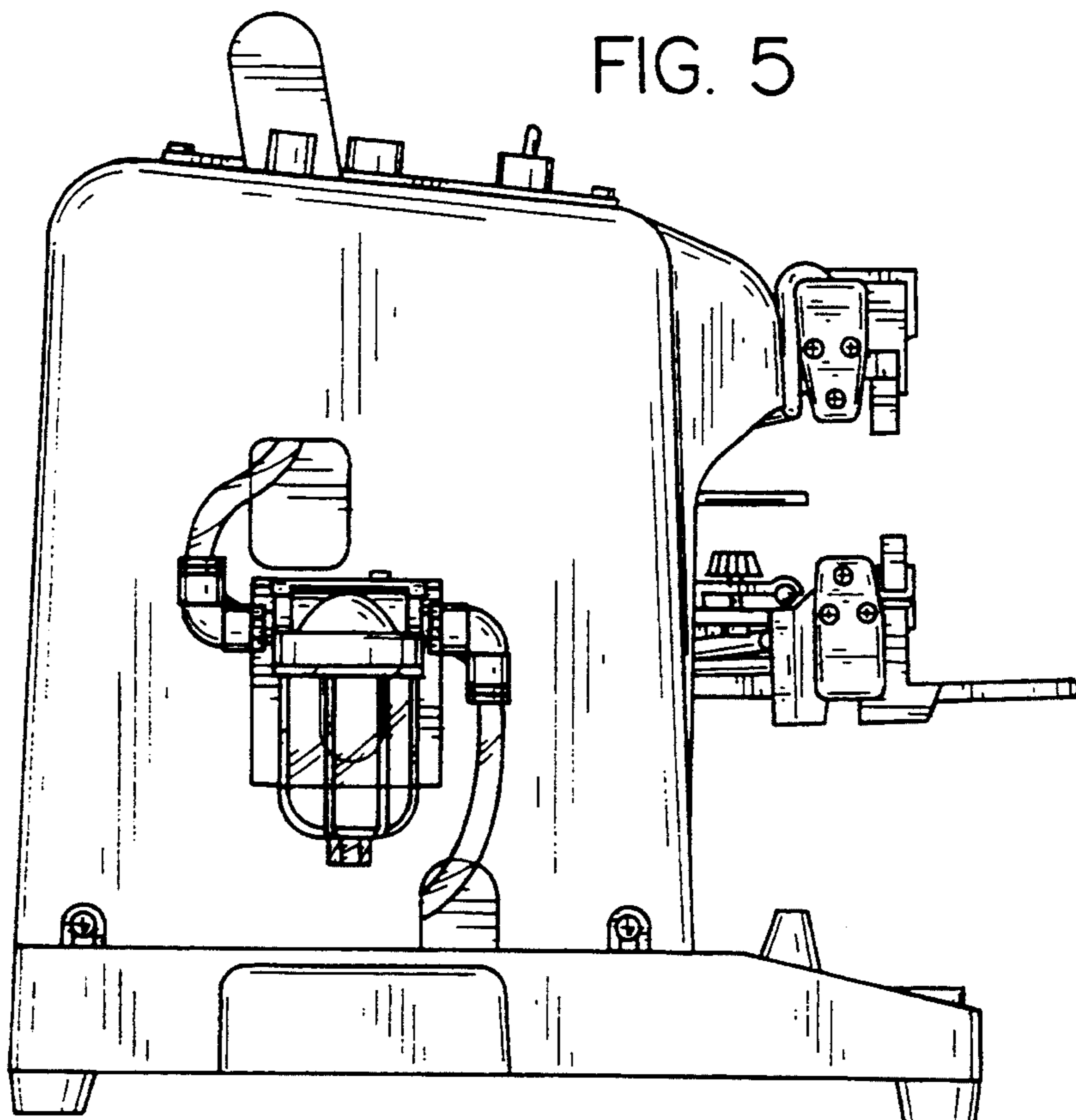


FIG. 6

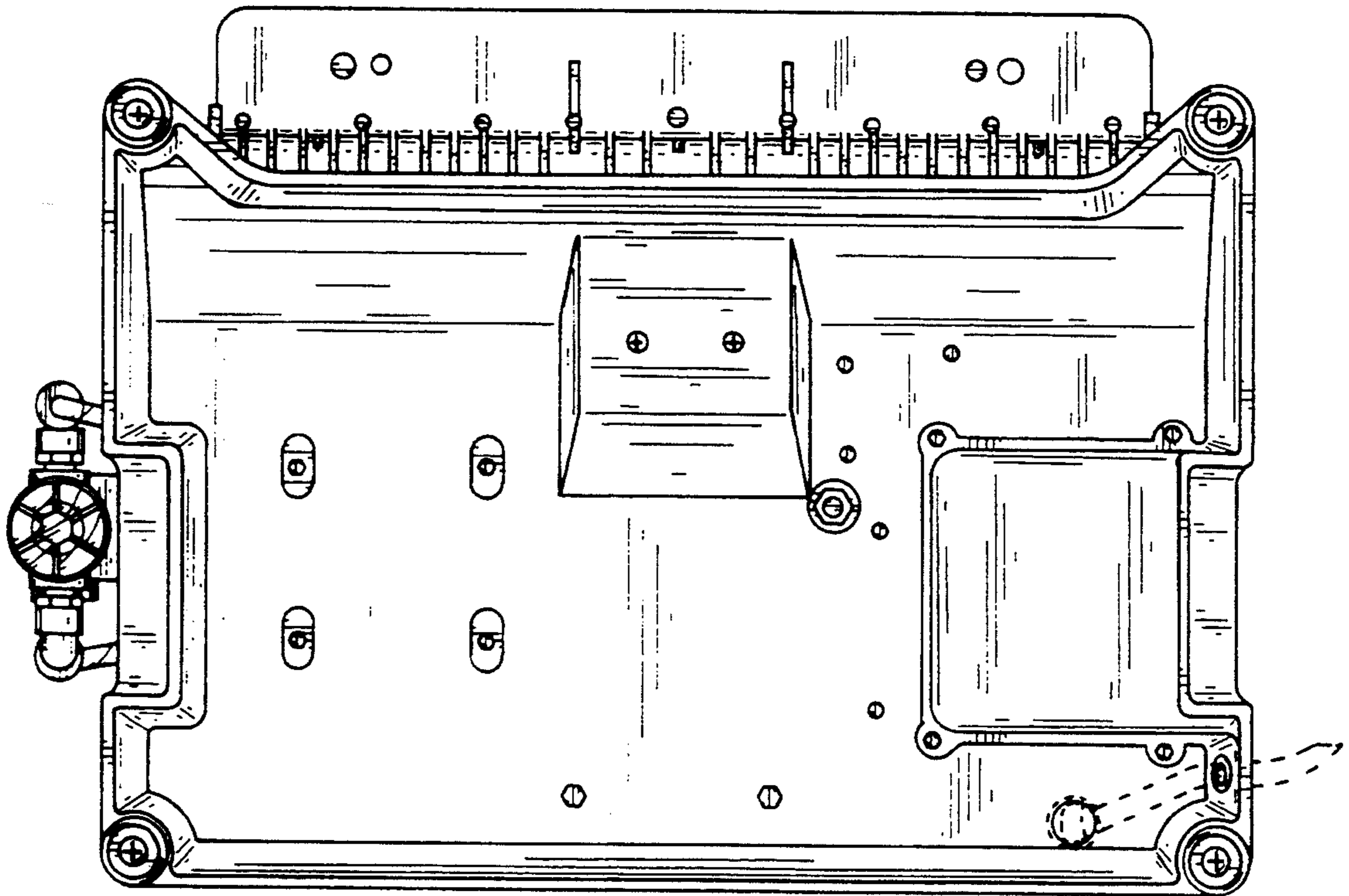
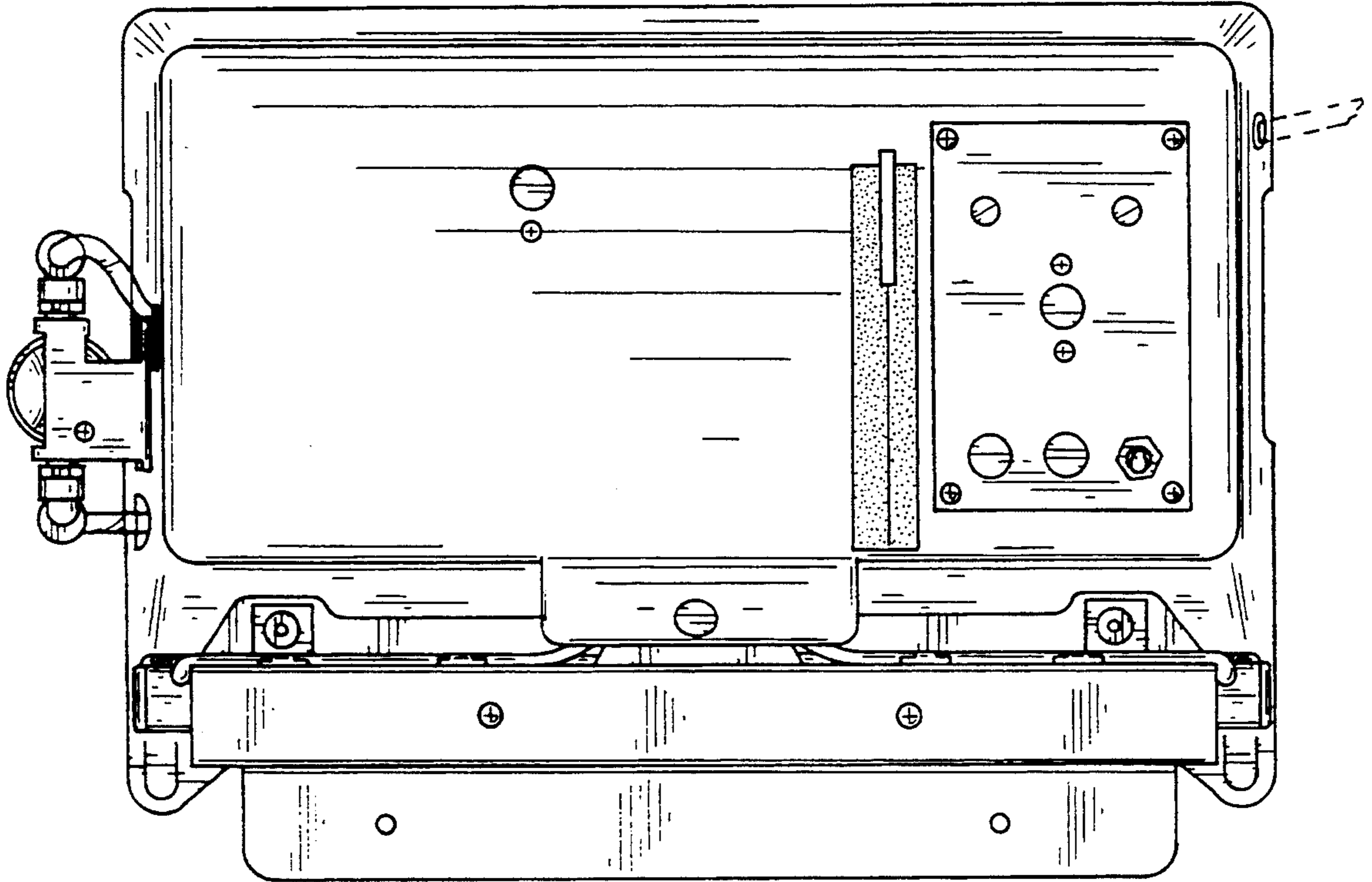


FIG. 7