



US00D350549S

# United States Patent [19]

[11] Patent Number: **Des. 350,549**

Lindstedt et al.

[45] Date of Patent: **\*\* Sep. 13, 1994**

[54] **CUTTING INSERT**

[56] **References Cited**

[75] Inventors: **Lars Lindstedt; Par Tagtstrom**, both of Sandviken, Sweden

### U.S. PATENT DOCUMENTS

1,276,081	8/1918	Kuhn .....	407/116
4,668,132	5/1987	Villa et al. ....	407/117
4,832,541	5/1989	Noguchi et al. ....	407/117 X

[73] Assignee: **Sandvik AB**, Sandviken, Sweden

*Primary Examiner*—Alan P. Douglas  
*Assistant Examiner*—Antoine D. Davis  
*Attorney, Agent, or Firm*—Burns, Doane, Swecker & Mathis

[\*\*] Term: **14 Years**

[57] **CLAIM**

[21] Appl. No.: **15,515**

The ornamental design for a cutting insert, as shown and described.

[22] Filed: **Nov. 19, 1993**

### DESCRIPTION

#### Related U.S. Application Data

FIG. 1 is a top perspective view of a reversible cutting insert according to the present invention;

FIG. 2 is a right side view thereof;

FIG. 3 is a top view thereof; and,

FIG. 4 is an end view thereof.

The left side and other end of the cutting insert are not shown as they are mirror images identical with the illustrated views.

[62] Division of Ser. No. 858,773, Mar. 27, 1992, Pat. No. Des. 343,400.

[52] U.S. Cl. .... **D15/139**

[58] Field of Search ..... 407/114, 115, 116, 117; **D15/139**

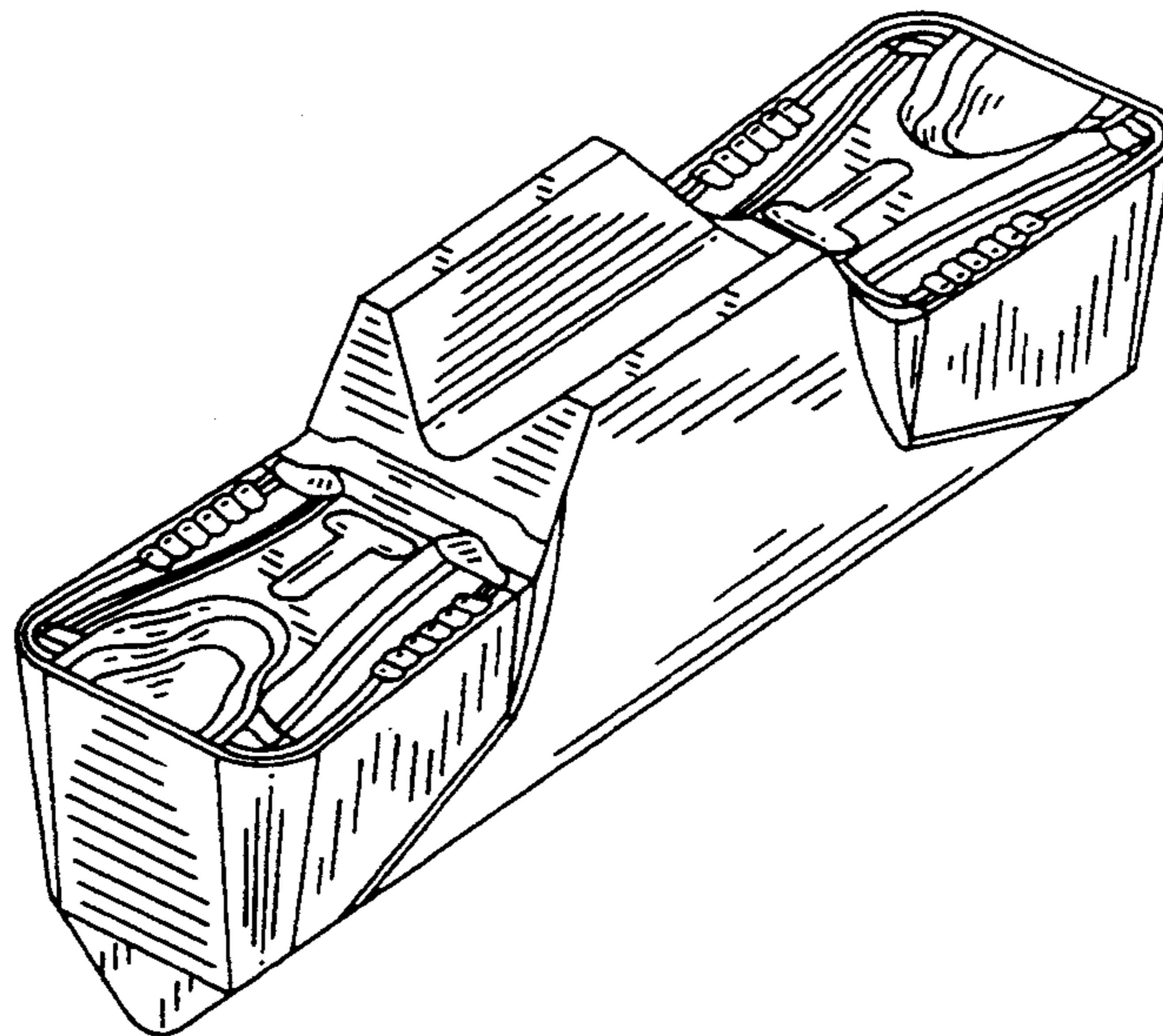


FIG. 1

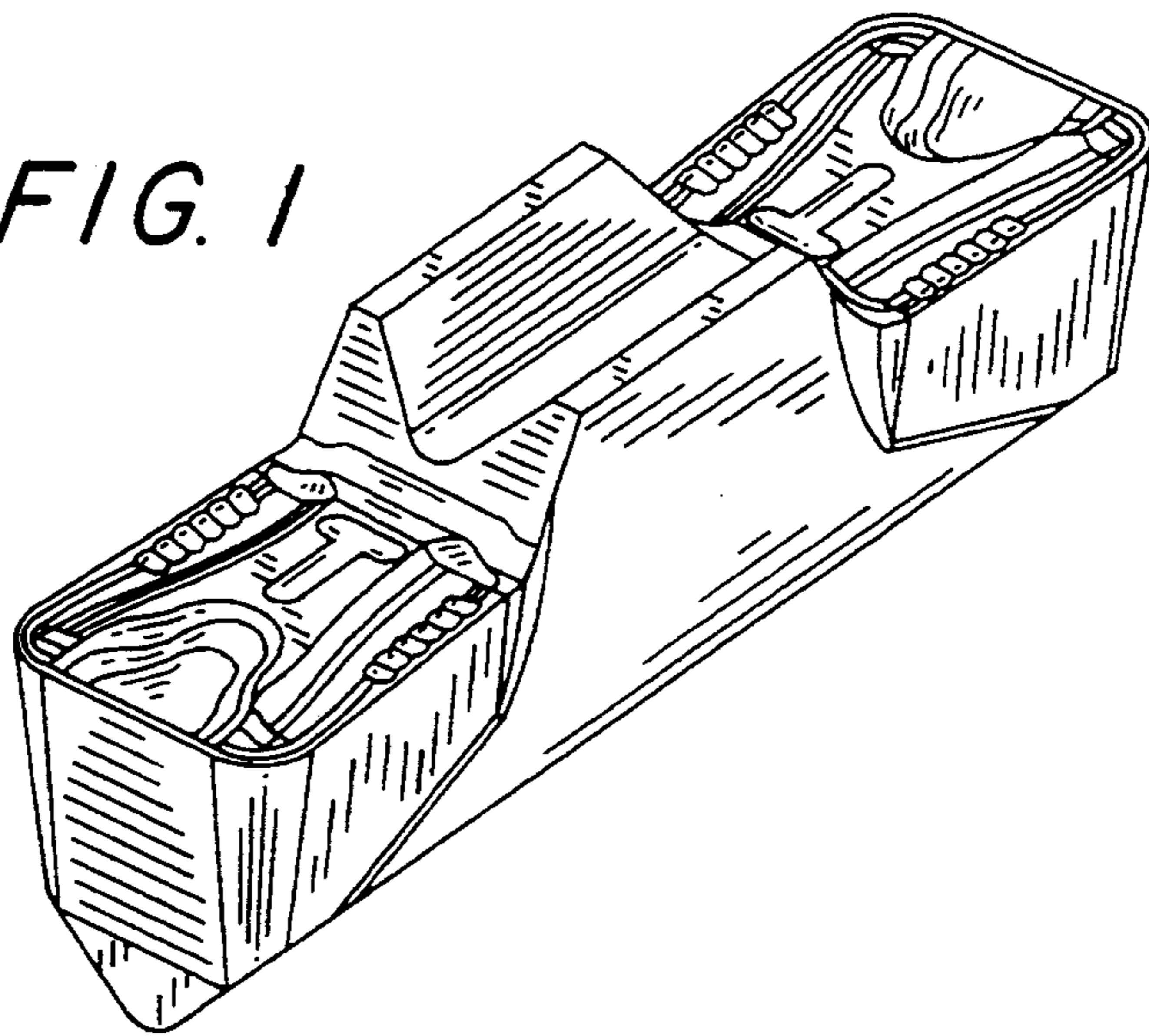


FIG. 2

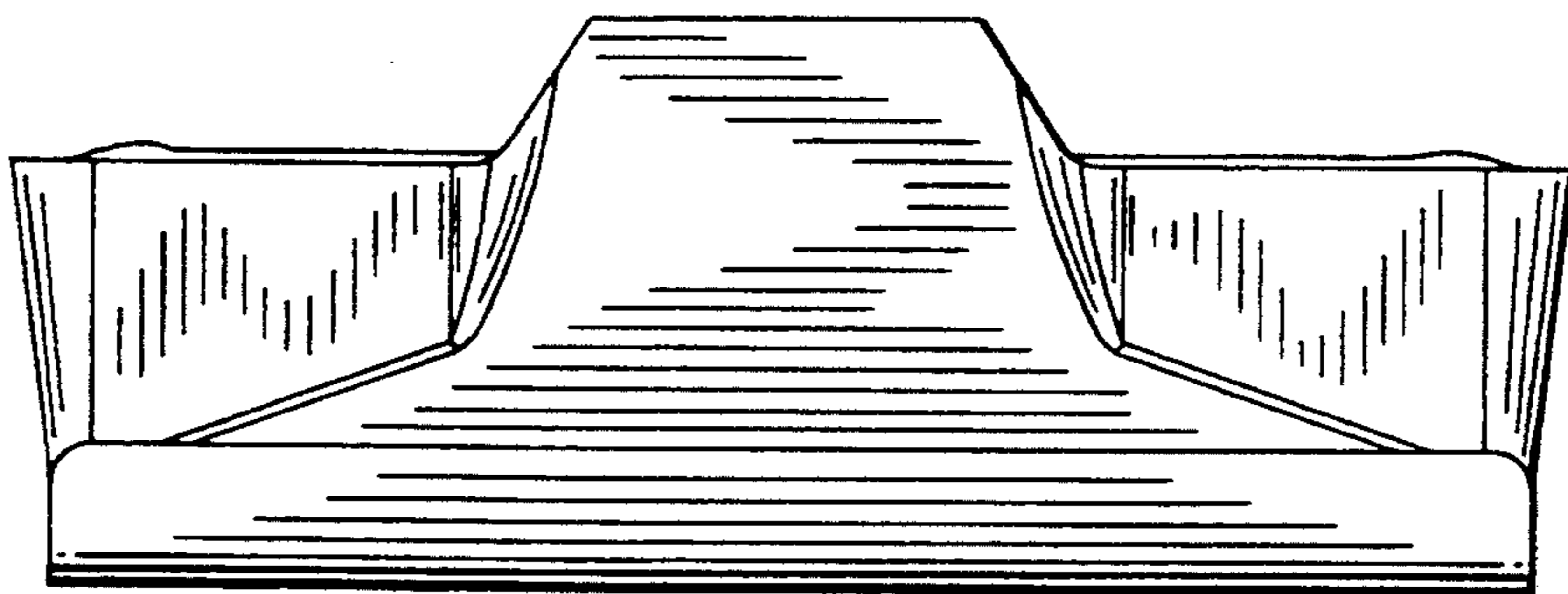


FIG. 3

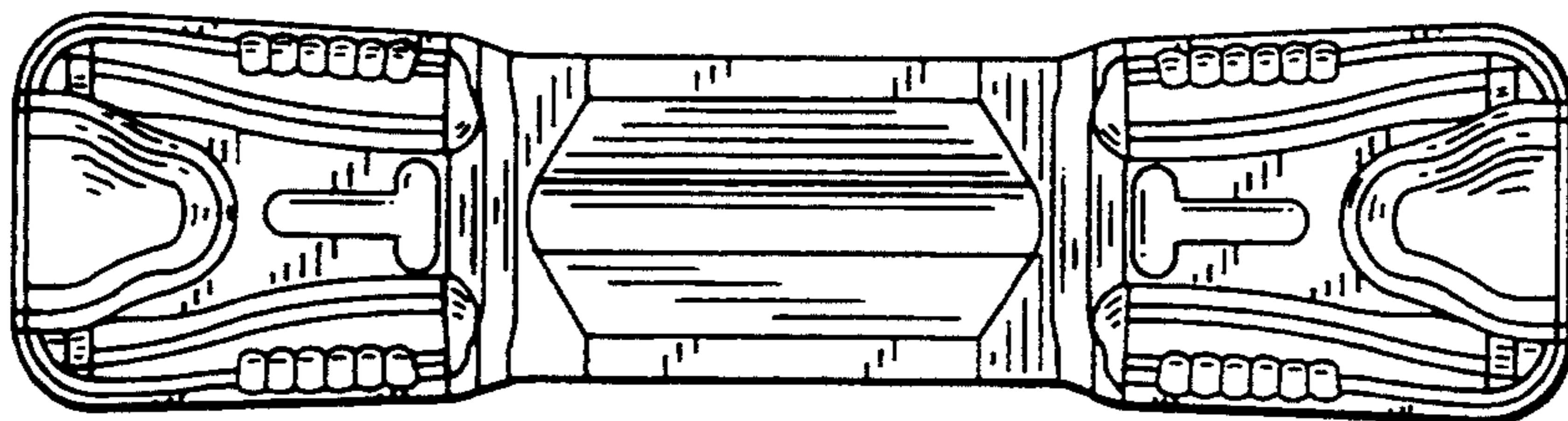


FIG. 4

