



US00D350548S

# United States Patent [19]

[11] Patent Number: **Des. 350,548**

Bosten et al.

[45] Date of Patent: **\*\* Sep. 13, 1994**

[54] **POCKET JOINT CUTTER**

[56] **References Cited**

[75] Inventors: **Donald R. Bosten; Earl R. Clowers,** both of Jackson; **Daniel P. Wall,** Humboldt; **Gary W. Barnhill,** Huntingdon; **Thomas O. Walls,** Cedar Grove; **George W. Mitchell,** Jackson, all of Tenn.

### U.S. PATENT DOCUMENTS

D. 267,406	12/1982	Glore .....	D15/127
4,858,661	8/1989	Bosten et al. ....	144/134 D
4,858,662	8/1989	Bosten et al. ....	144/136 C
4,858,663	8/1989	Bosten et al. ....	144/136 C

[73] Assignee: **Porter-Cable Corporation,** Jackson, Tenn.

*Primary Examiner*—Alan P. Douglas  
*Assistant Examiner*—Antoine D. Davis  
*Attorney, Agent, or Firm*—Merchant, Gould, Smith, Edell, Welter & Schmidt

[\*\*] Term: **14 Years**

### [57] CLAIM

The ornamental design for a pocket joint cutter, as shown and described.

[21] Appl. No.: 7,320

### DESCRIPTION

[22] Filed: **Mar. 11, 1993**

[52] U.S. Cl. .... **D15/127**

[58] Field of Search ..... 83/471.1, 471.3, 477, 83/520, 581; 144/134 R, 134 D, 136 C; D15/127

FIG. 1 is a top and right front perspective view of a pocket joint cutter showing our new design; FIG. 2 is a right side elevational view; FIG. 3 is a left side elevational view; FIG. 4 is a front elevational view; FIG. 5 is a rear elevational view; FIG. 6 is a top plan view; and, FIG. 7 is a bottom plan view.

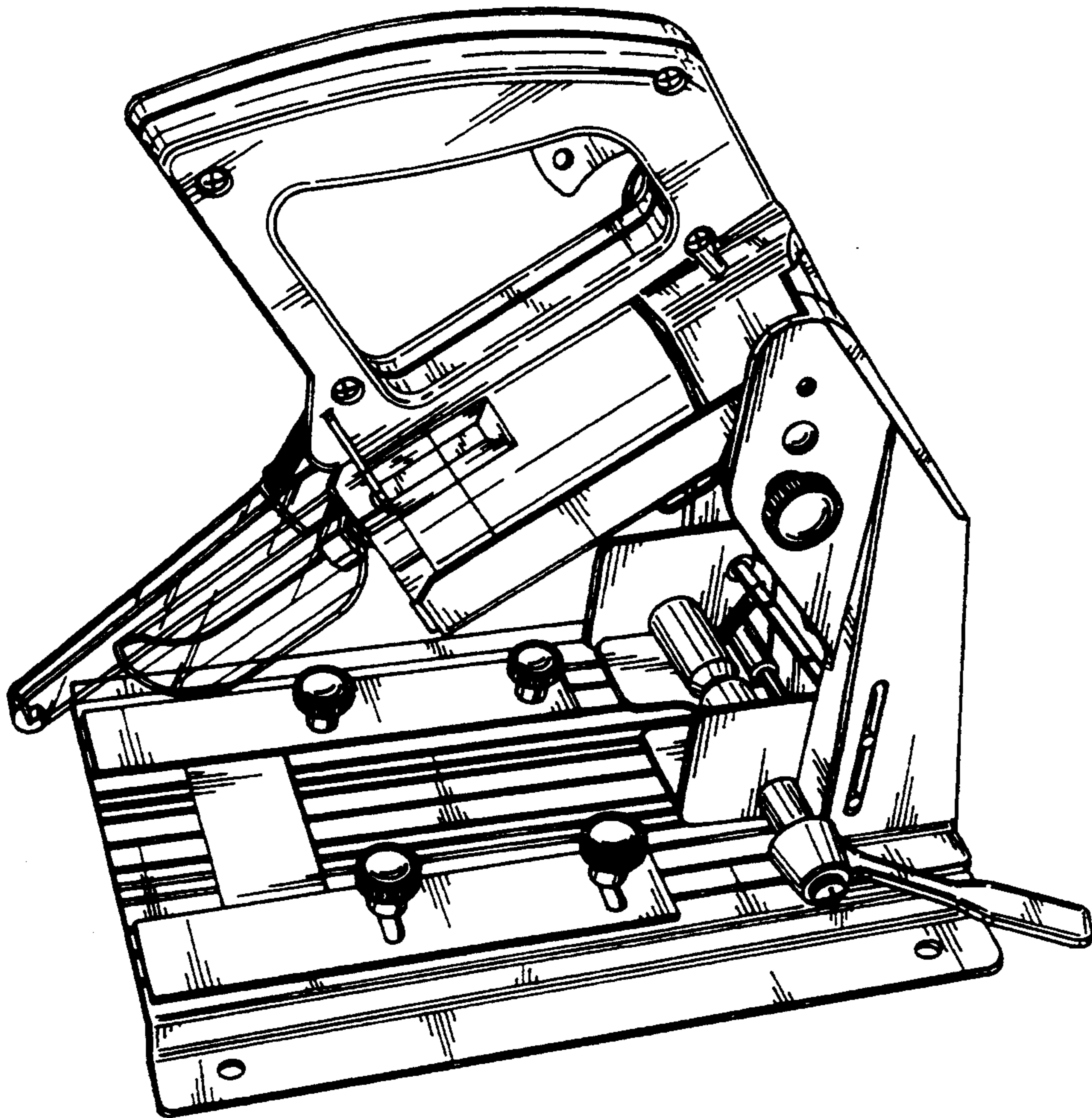


FIG. 1

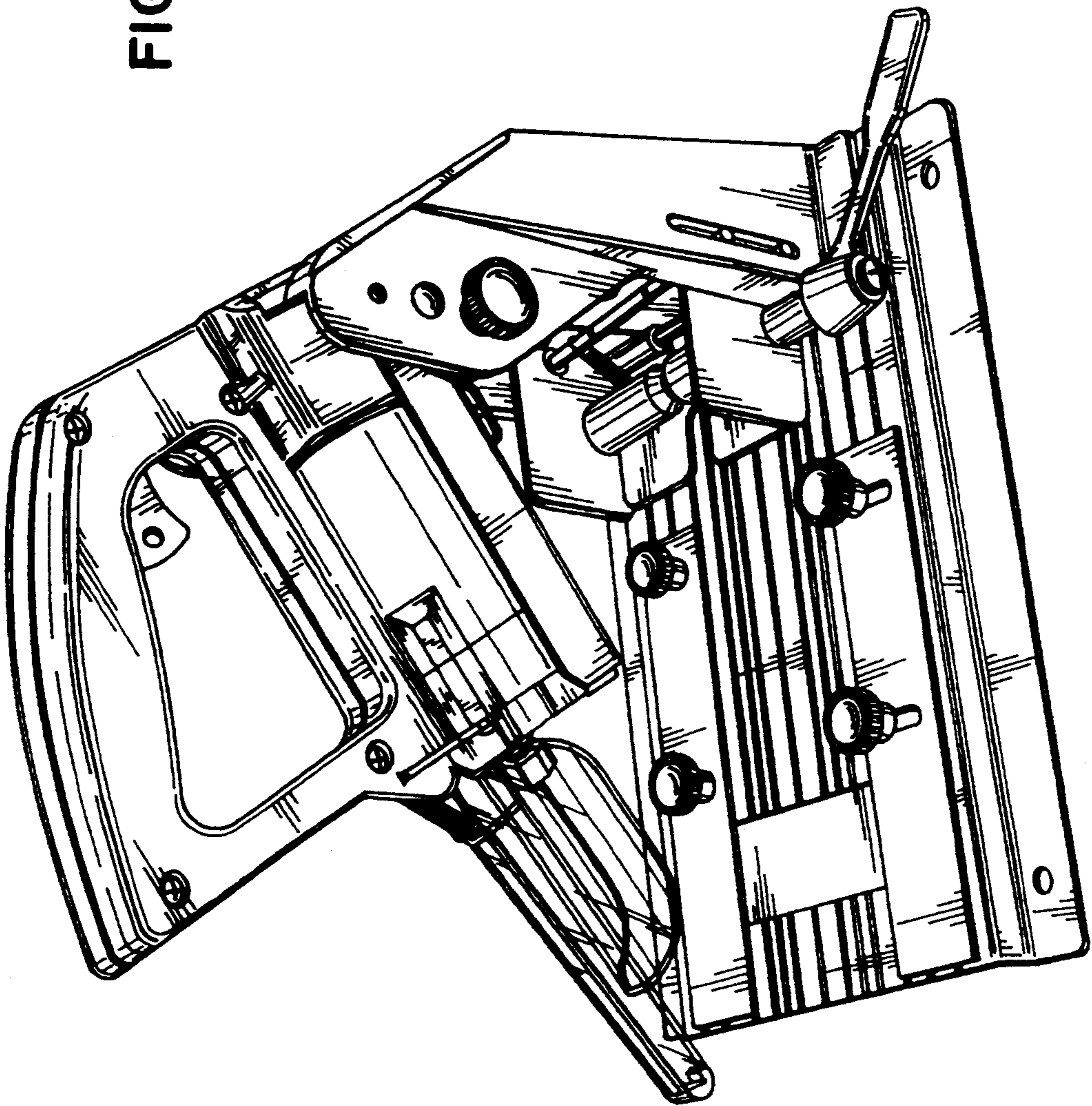
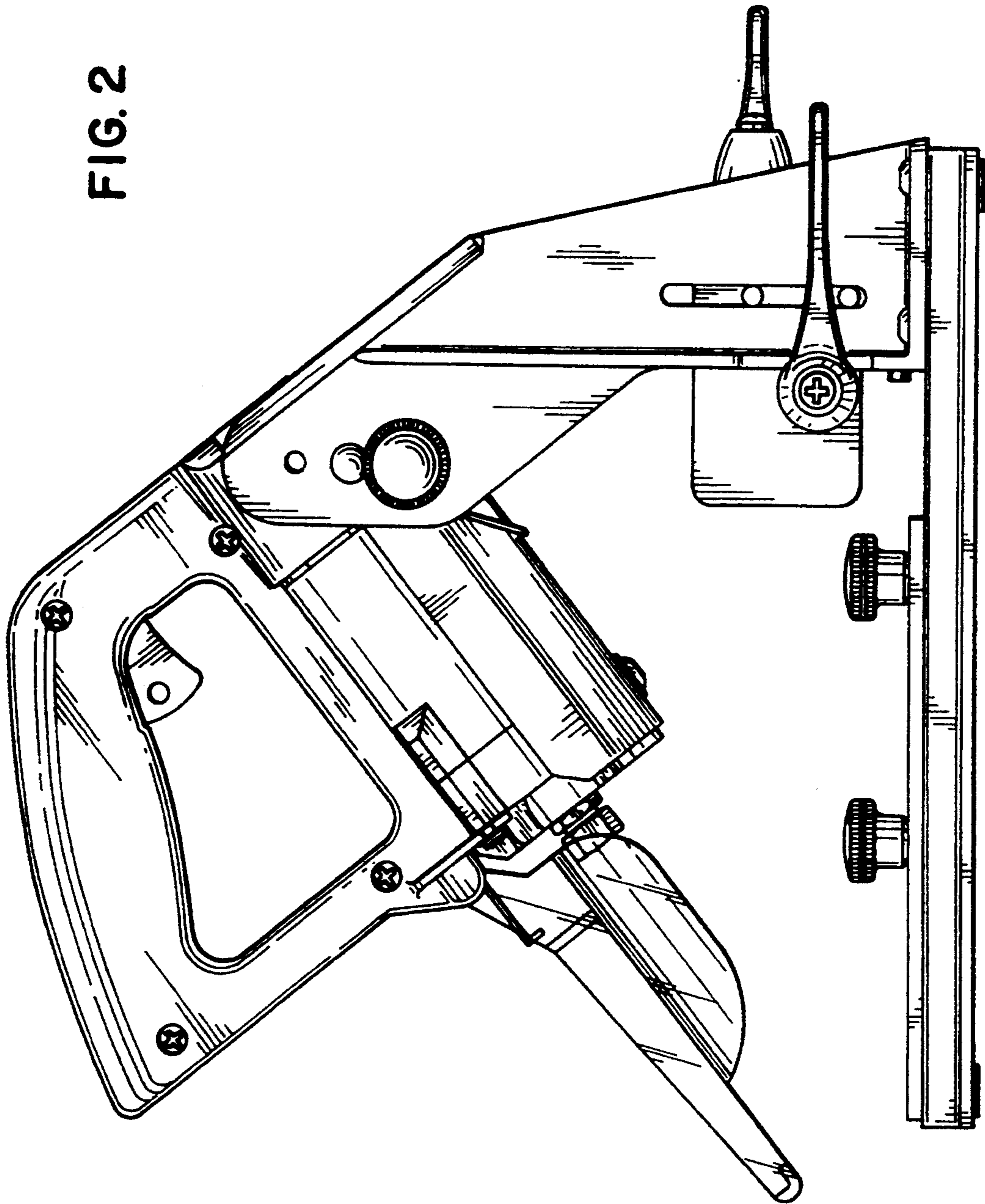


FIG. 2



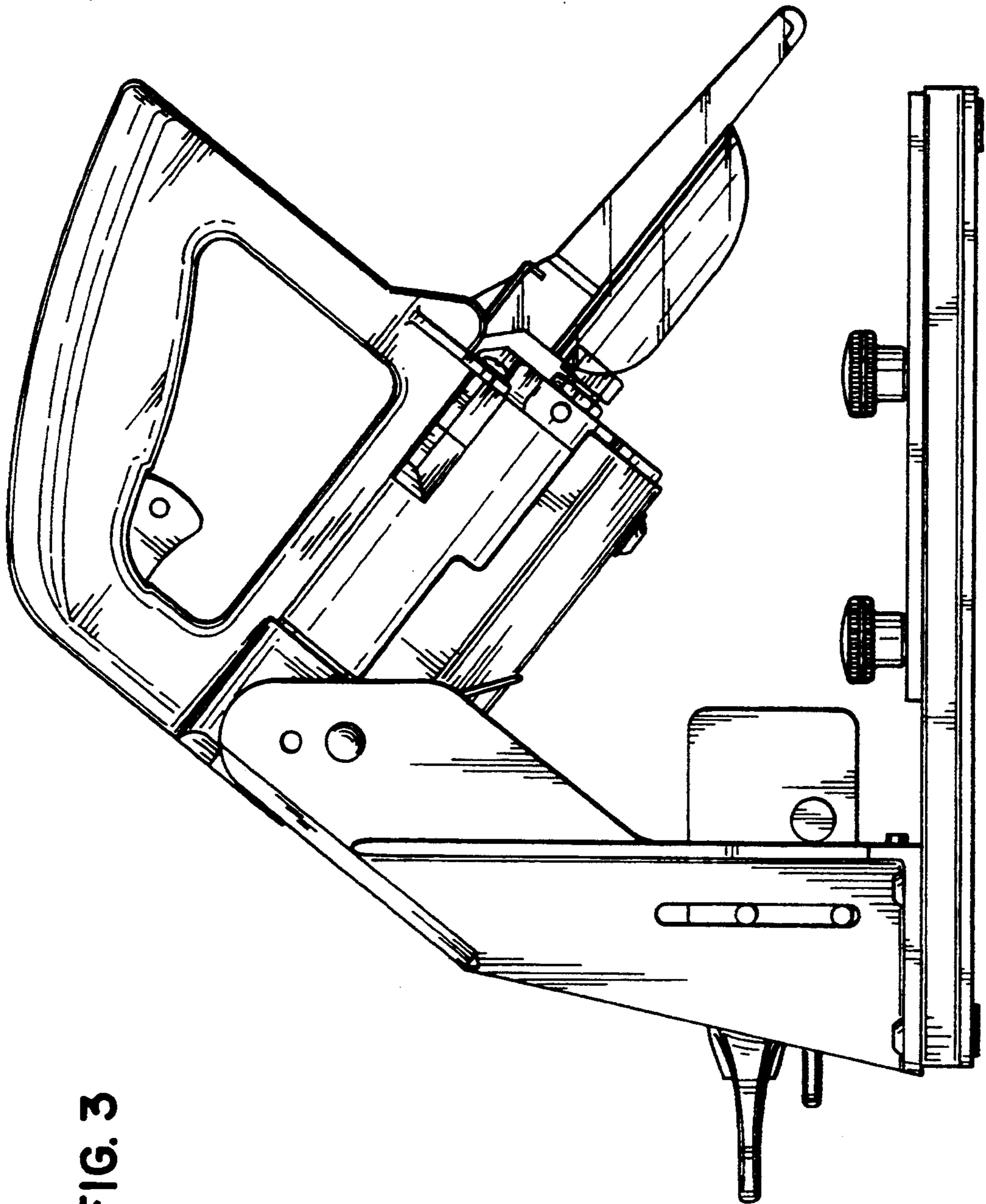


FIG. 3

FIG. 4

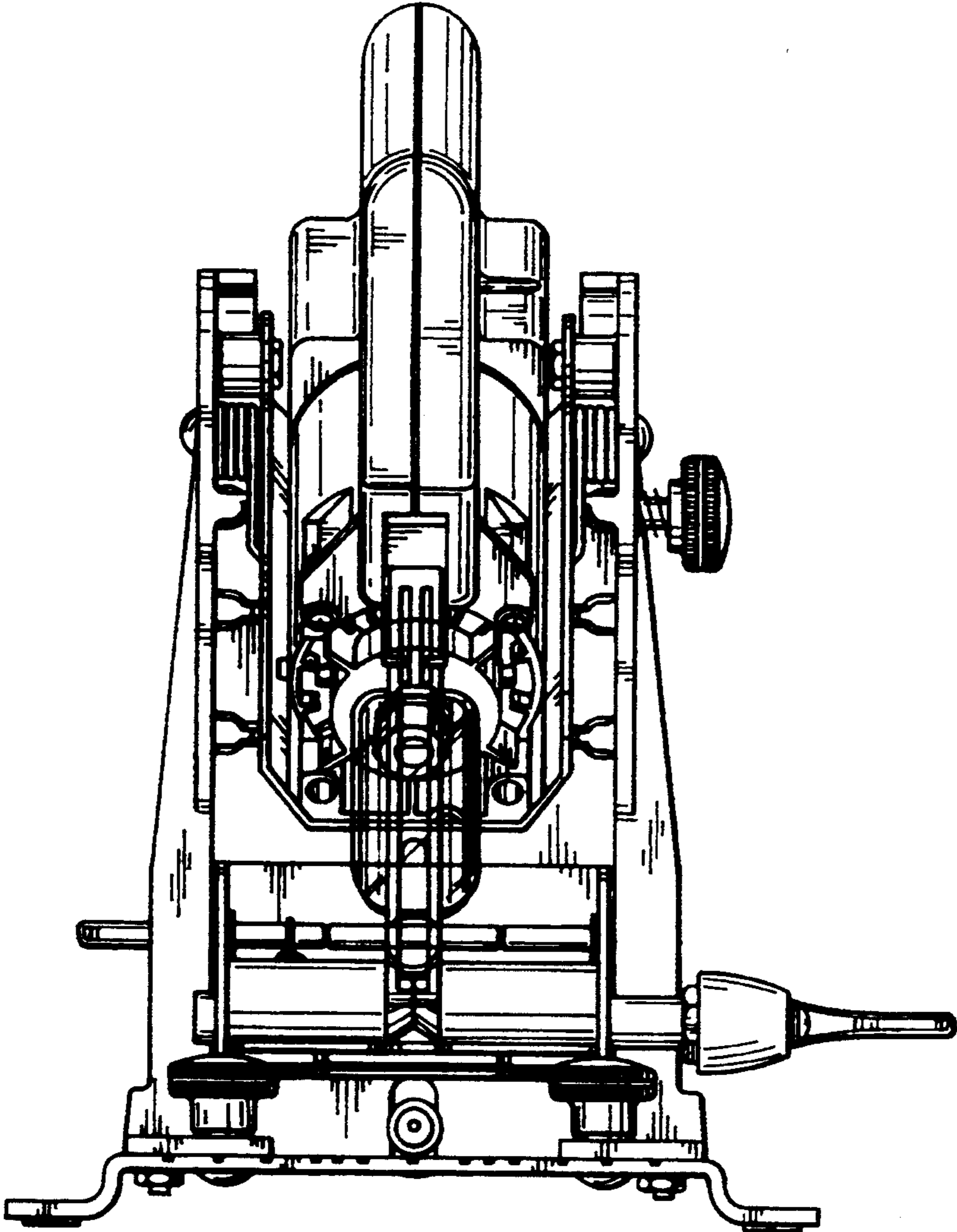


FIG. 5

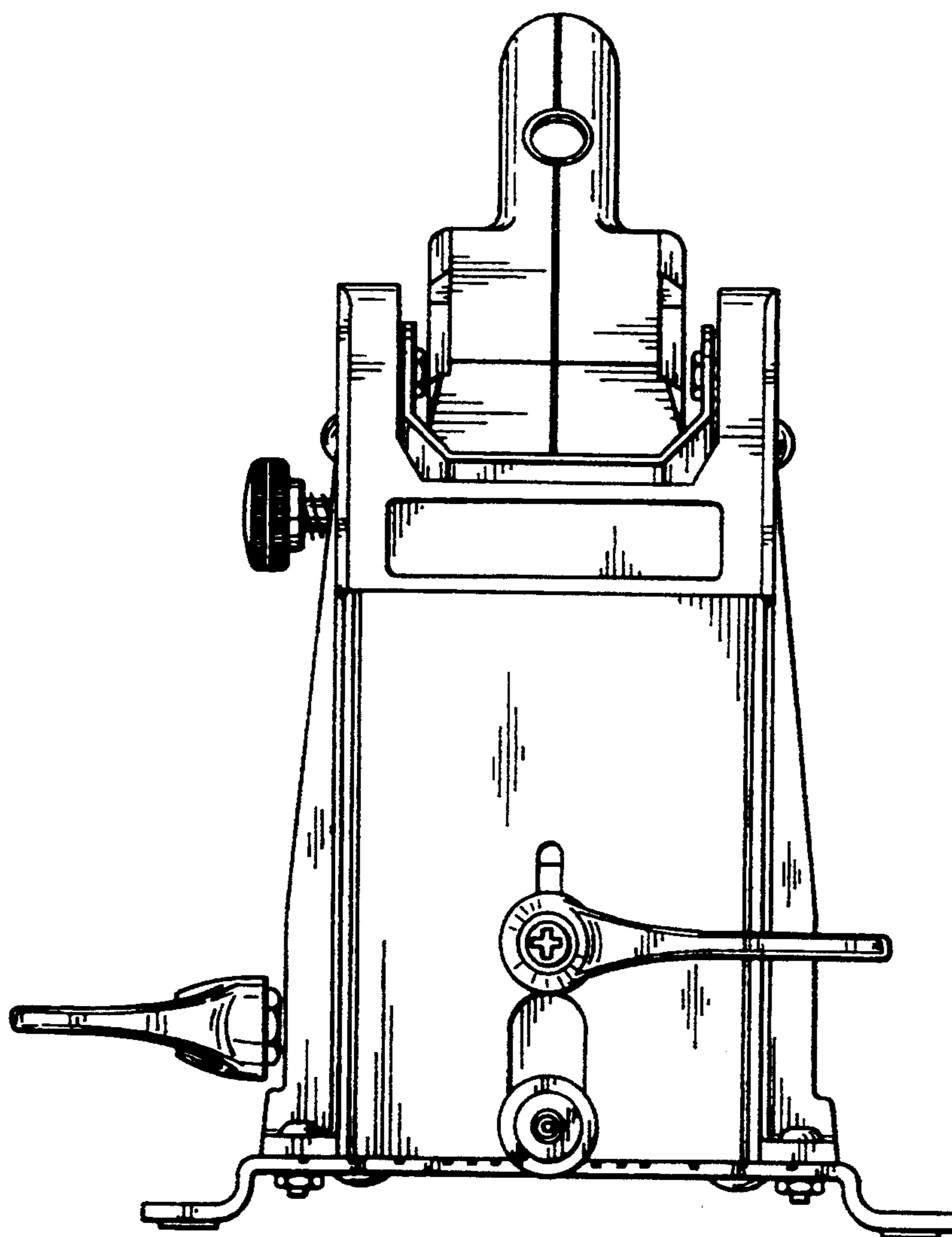
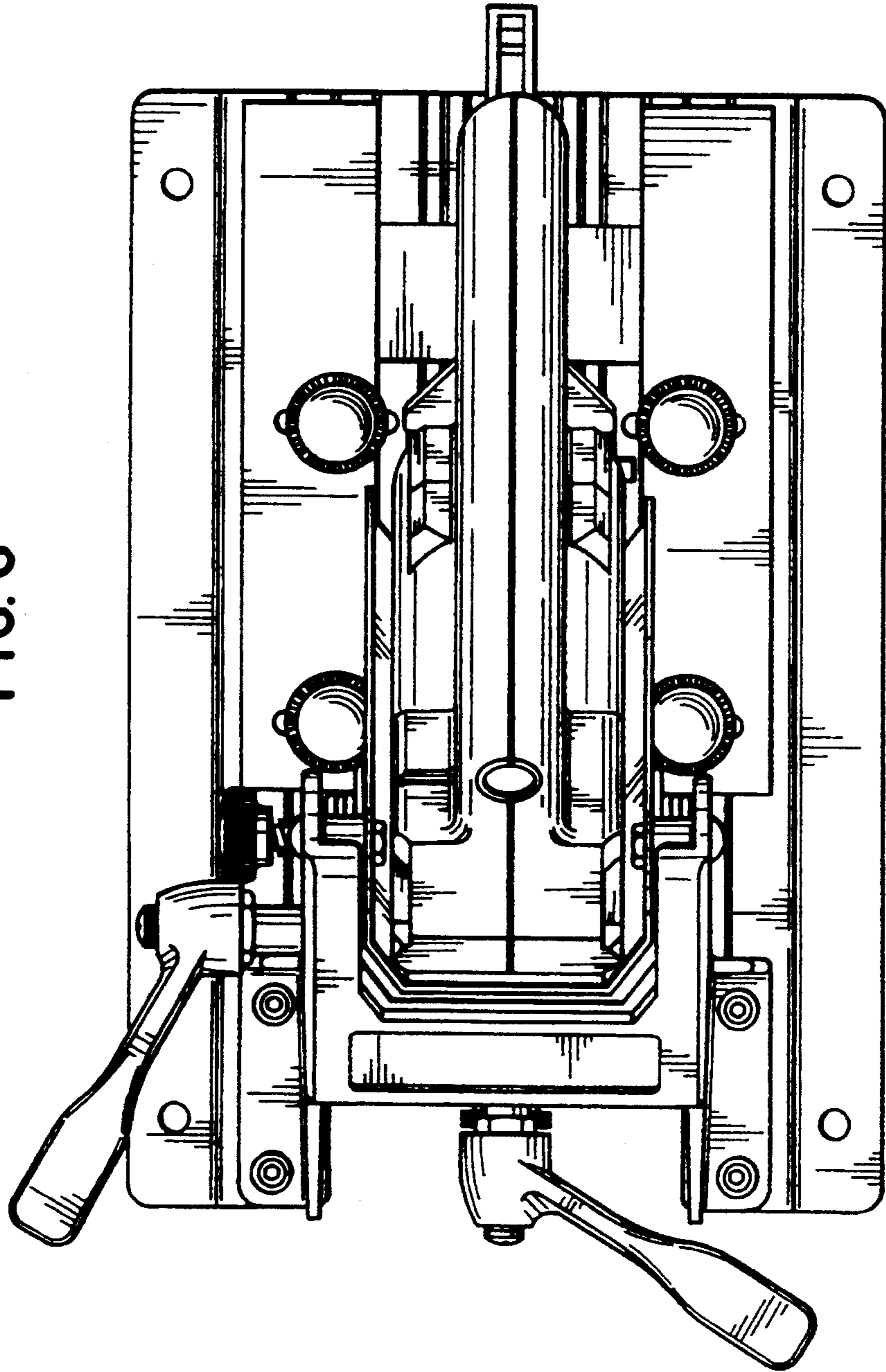


FIG. 6



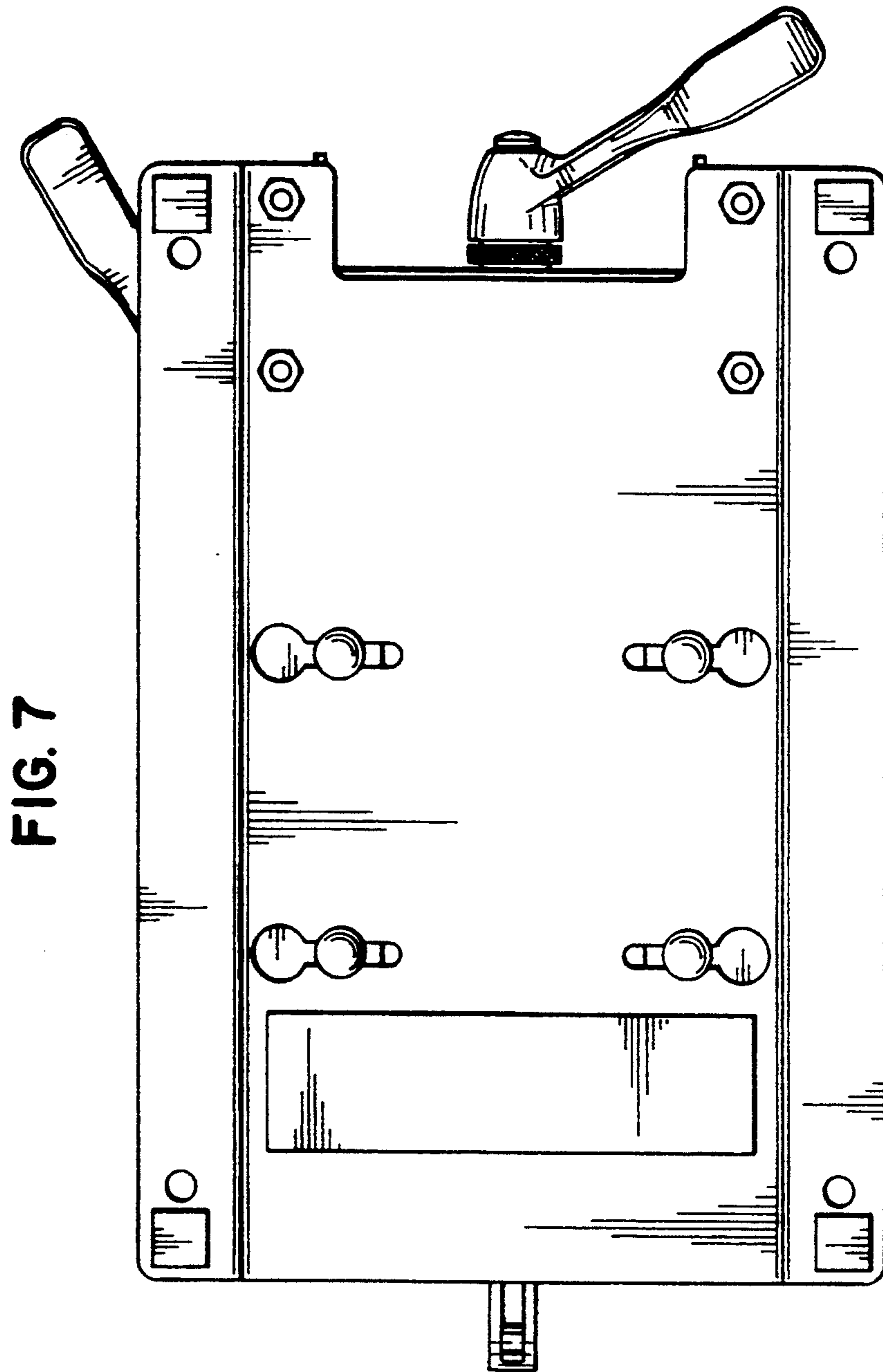


FIG. 7