



US00D350545S

United States Patent [19]

Olkkola et al.

[11] **Patent Number: Des. 350,545**

[45] **Date of Patent: ** Sep. 13, 1994**

[54] **HOLDER FOR HAND TELEPHONE**

[75] **Inventors: Jari Olkkola, Salo; Ari Leman, Perttuli; Tapani Hyvönen, Turku, all of Finland**

[73] **Assignee: Nokia Mobile Phones, Ltd., Salo, Finland**

[**] **Term: 14 Years**

[21] **Appl. No.: 893,696**

[22] **Filed: Jun. 5, 1992**

[30] **Foreign Application Priority Data**

Dec. 5, 1991 [FI] Finland 996/91

[52] **U.S. Cl. D14/253; D14/142**

[58] **Field of Search 379/58-61, 379/419, 420, 428, 440, 441, 454, 455; D14/144, 217, 140, 142, 149, 240, 251, 253, 138; D13/107, 108:110, 184**

[56] **References Cited**

U.S. PATENT DOCUMENTS

D. 276,809 12/1984 Taylor D14/253

- D. 306,299 2/1990 Soren et al. D14/138 X
- D. 306,594 3/1990 Taylor D14/253
- D. 307,016 4/1990 Watanabe D14/144 X
- D. 320,991 10/1991 Nagai et al. D14/138 X
- D. 321,885 11/1991 Sheldrake D14/253
- D.327,868 7/1992 Oka D13/110

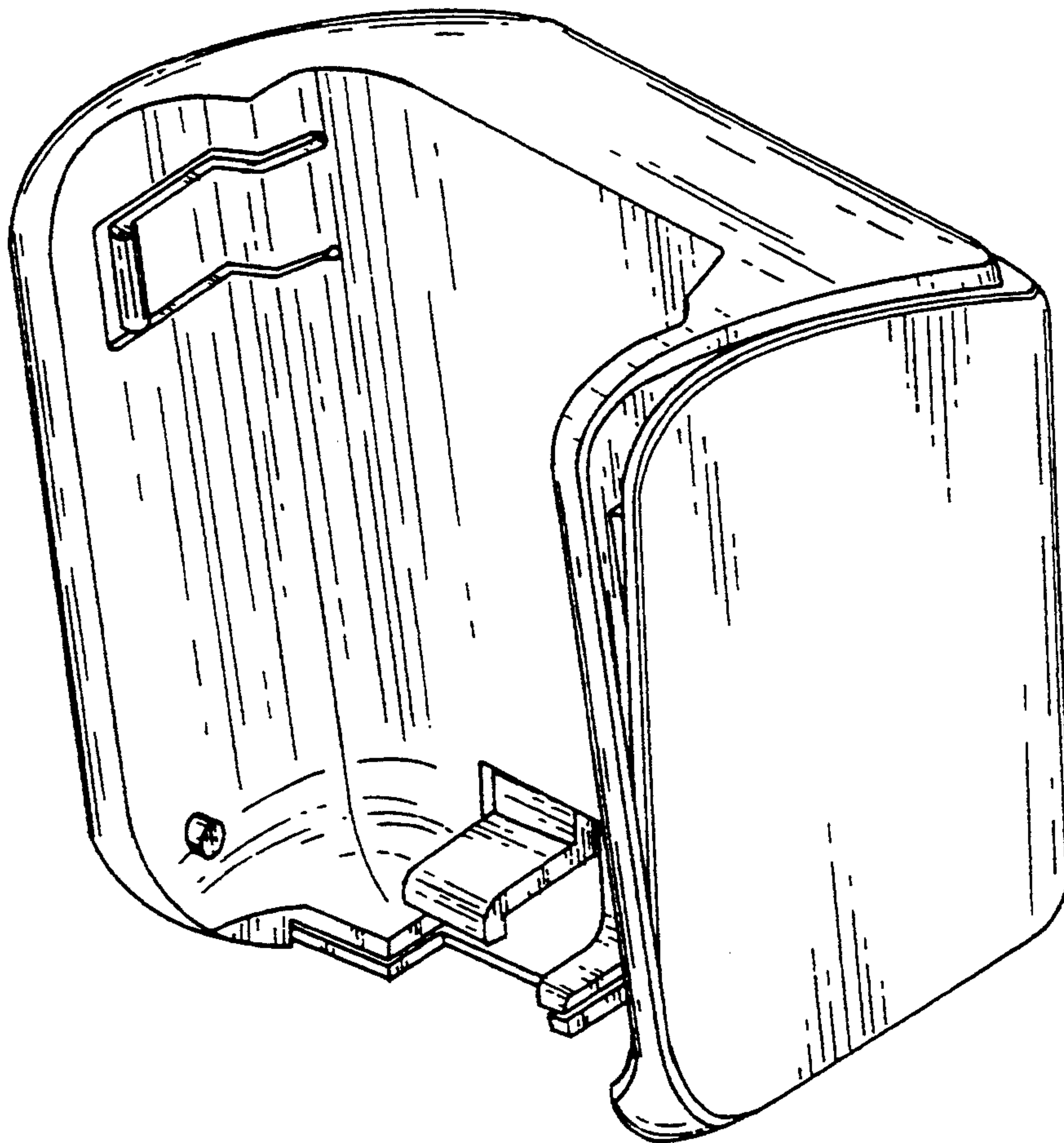
Primary Examiner—Alan P. Douglas
Assistant Examiner—Jeffrey Asch
Attorney, Agent, or Firm—Seed and Berry

[57] **CLAIM**

The ornamental design for a holder for hand telephone, as shown and described.

DESCRIPTION

FIG. 1 is a front isometric view of a holder for hand telephone showing our new design; FIG. 2 is a rear isometric view thereof; FIG. 3 is a front isometric view thereof, showing the inner front right side portion of the design; FIG. 4 is a right side elevational view thereof; FIG. 5 is a left side elevational view thereof; FIG. 6 is a front elevational view thereof; and, FIG. 7 is a bottom plan view thereof.



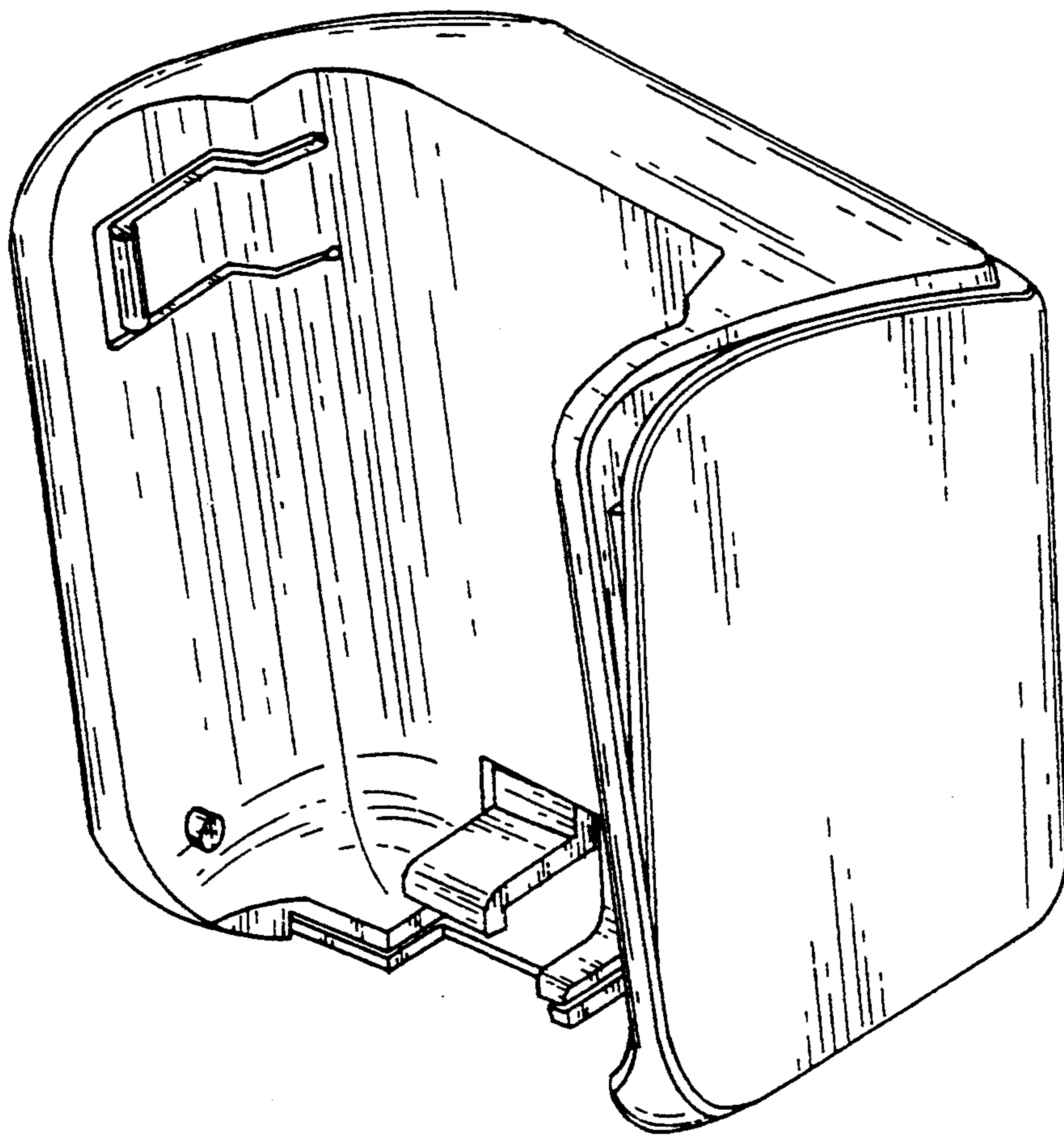


FIG. 1

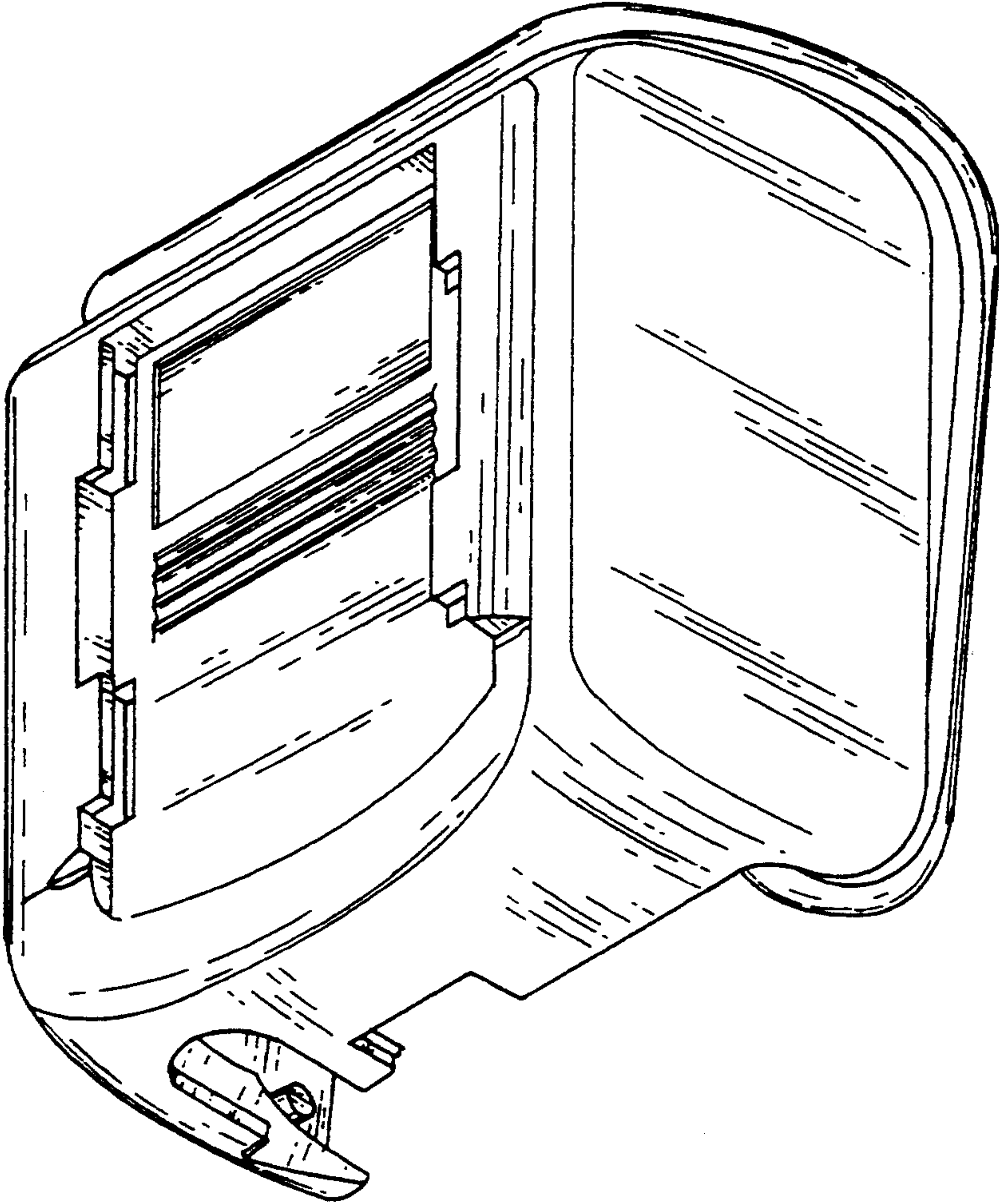


FIG. 2

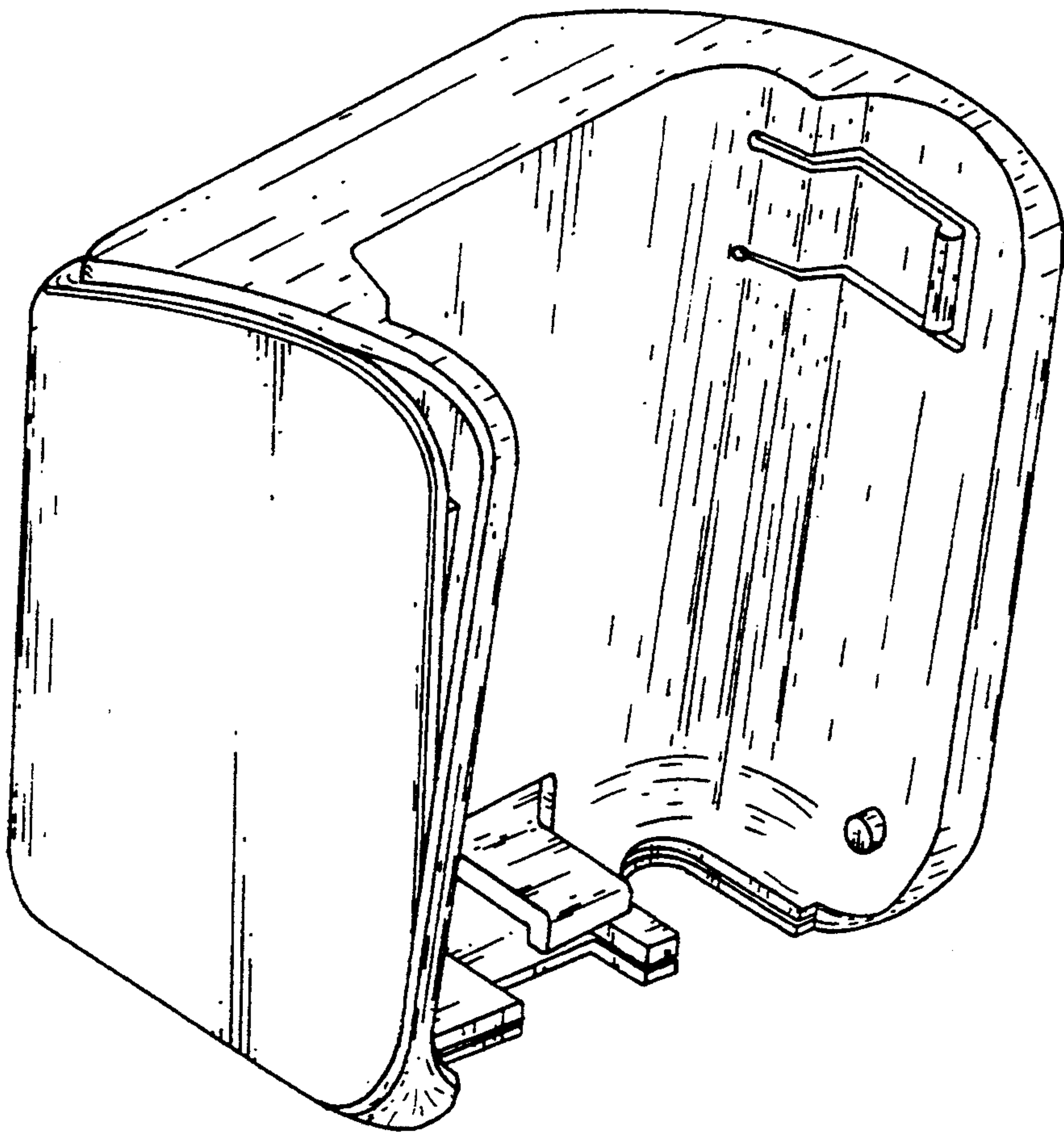


FIG. 3

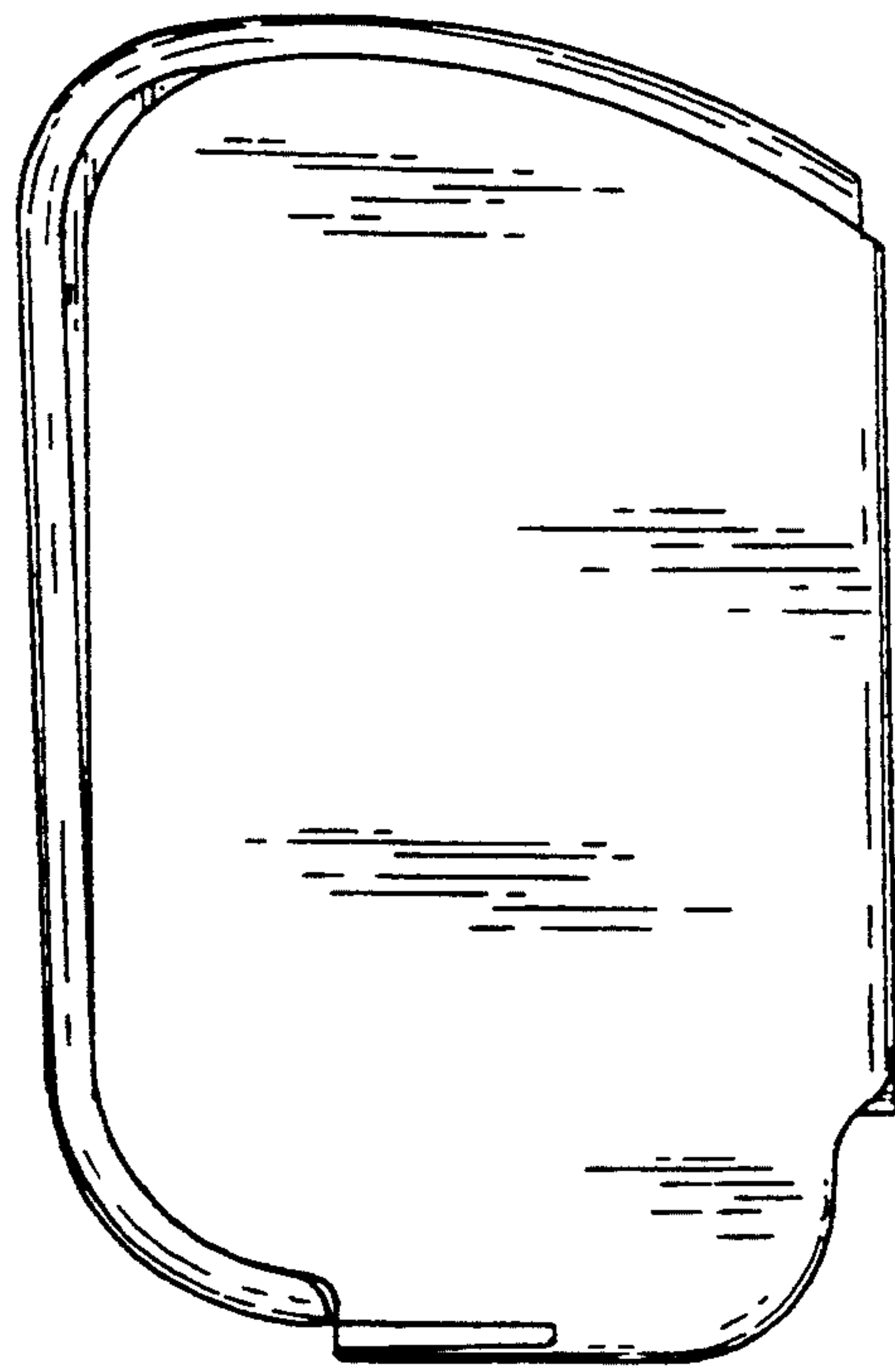


FIG. 4

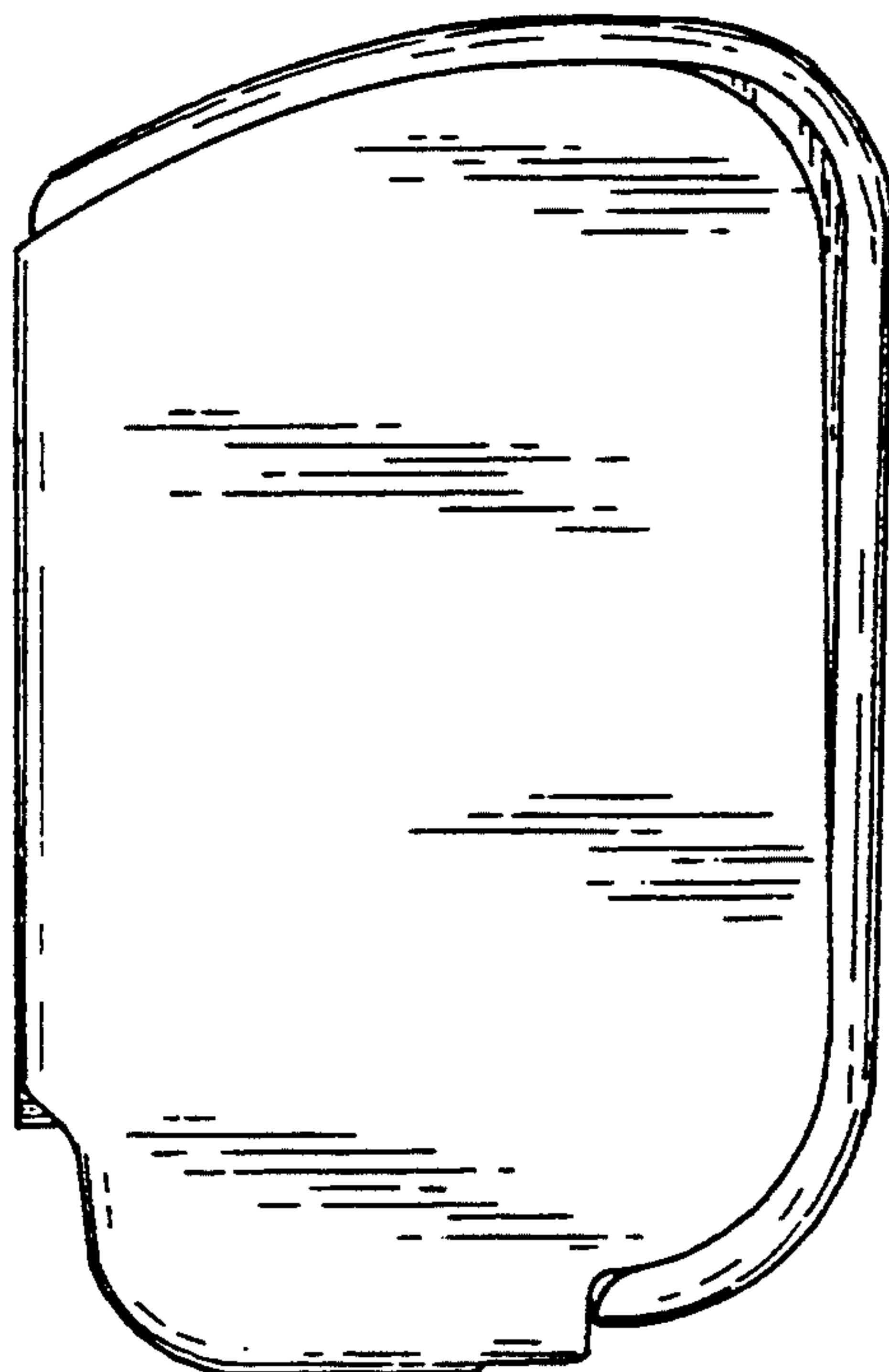


FIG. 5

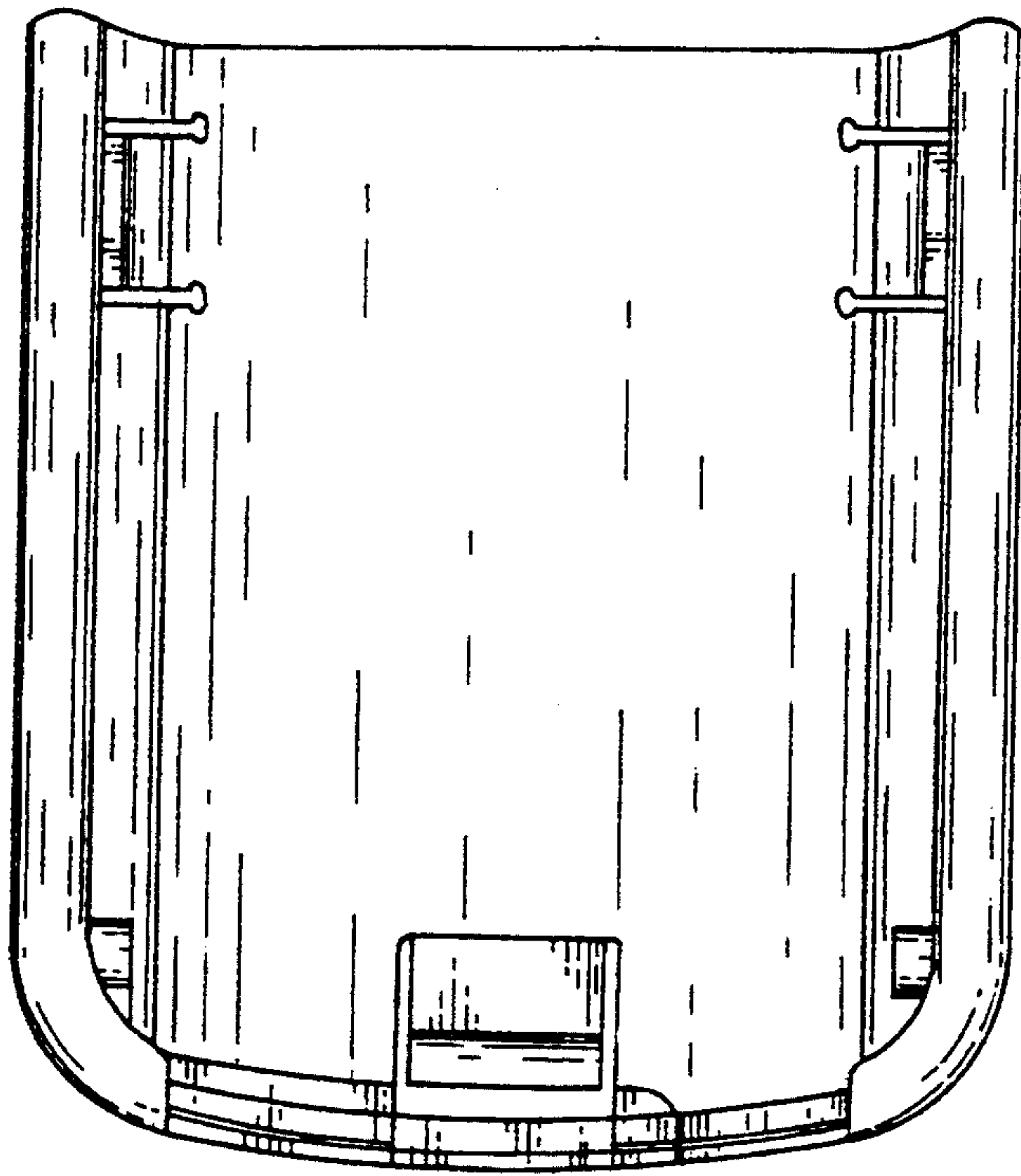


FIG. 6

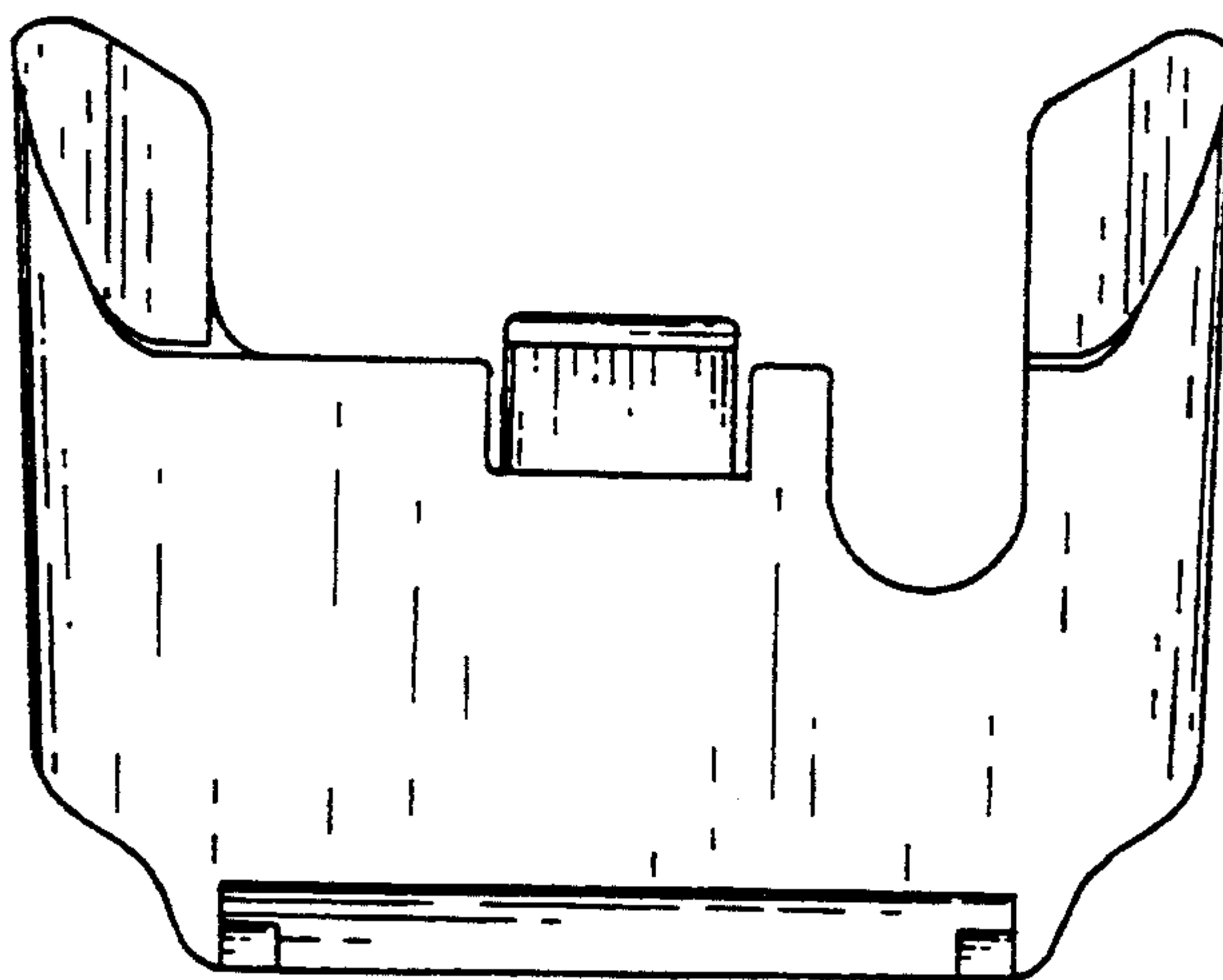


FIG. 7