



US00D350541S

United States Patent [19]

[11] Patent Number: **Des. 350,541**

Chung et al.

[45] Date of Patent: **** Sep. 13, 1994**

[54] **TELEPHONE HOUSING**

[75] Inventors: **Curly L. K. Chung; Joseph C. K. Hung**, both of Hong Kong, Hong Kong

[73] Assignee: **Video Technology Engineering, Ltd.**, Hong Kong

[**] Term: **14 Years**

[21] Appl. No.: **843,970**

[22] Filed: **Feb. 28, 1992**

[30] **Foreign Application Priority Data**

Aug. 30, 1991 [DE] Fed. Rep. of Germany 9106392

[52] U.S. Cl. **D14/149; D14/148**

[58] Field of Search 379/58.61, 419, 420, 379/428, 434, 440; D14/137, 138, 140, 142, 149-151, 240, 241, 156; D13/108

[56] **References Cited**

U.S. PATENT DOCUMENTS

- D. 305,119 12/1989 Pfeifer et al. D14/138 X
- D. 307,008 4/1990 Shaanan et al. D14/149 X
- D. 322,436 12/1991 Myoga D14/138
- D. 323,164 1/1992 Myoga D14/138
- D. 327,247 6/1992 Higuchi et al. D13/108
- D. 339,564 9/1993 Nagele et al. D13/108

FOREIGN PATENT DOCUMENTS

- 115285 7/1986 Switzerland .
- 117685 8/1989 Switzerland .

OTHER PUBLICATIONS

- Copies of packaging, Panasonic KX-T9000BS (undated).
- Photos of SINUS 12 telephone (undated).
- Copy of advertising for Italtel Colibri (undated).
- Copy of advertising for Tritel Mesocco (undated).
- Copy of advertising for ASCOM CT800 (undated, but in use since at least as early as Aug. 29, 1990).
- International Designs Bulletin, May 1987, pp. 1062-1064, DM/008727.
- International Designs Bulletin, Feb. 1990, p. 999, DM/015932.

Primary Examiner—Alan P. Douglas

Assistant Examiner—Jeffrey Asch
Attorney, Agent, or Firm—Dick and Harris

[57] **CLAIM**

The ornamental design for telephone housing, as shown and described.

DESCRIPTION

FIG. 1 is a top perspective view of the telephone housing, showing the handset and base unit combined; FIG. 2 is a perspective view thereof, showing the handset apart from the base unit and in the open configuration; FIG. 3 is a front elevation of the combined handset and base unit; FIG. 4 is a rear elevation of the combined handset and base unit; FIG. 5 is a top plan view of the combined handset and base unit; FIG. 6 is a right side elevation of the combined handset and base unit; FIG. 7 is a left side elevation of the combined handset and base unit; FIG. 8 is a bottom view of the combined handset and base unit; FIG. 9 is a right side elevation of the closed handset; FIG. 10 is a left side elevation of the closed handset; FIG. 11 is a left side elevation of the open handset; FIG. 12 is a bottom plan view of the closed handset; FIG. 13 is a bottom plan view of the open handset; FIG. 14 is a top plan view of the base unit; FIG. 15 is a right side elevation of the base unit; FIG. 16 is a left side elevation of the base unit; FIG. 17 is a front elevation of the base unit; FIG. 18 is a rear elevation of the base unit; FIG. 19 is a front elevation of the closed handset; FIG. 20 is a rear elevation of the closed handset; FIG. 21 is a front elevation of the open handset; FIG. 22 is a rear elevation of the open handset; FIG. 23 is a bottom view of the base unit; FIG. 24 is a top perspective view of an alternative embodiment of the telephone housing, showing the handset and base unit combined; FIG. 25 is a perspective view thereof, showing the handset apart from the base unit and in the open configuration;

(Description continued on next page.)

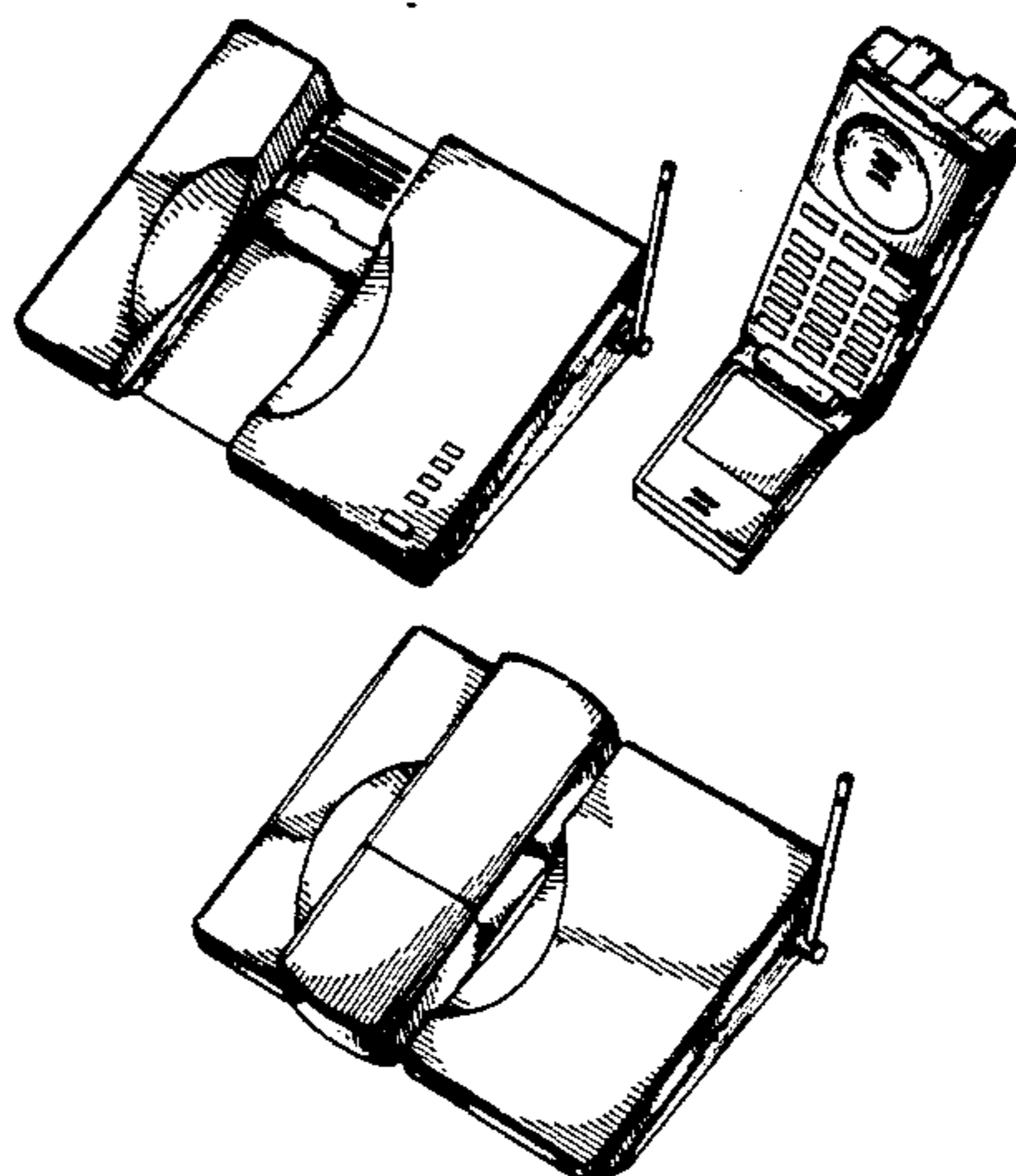


FIG. 26 is a front elevation of the combined handset and base unit;

FIG. 27 is a rear elevation of the combined handset and base unit;

FIG. 28 is a top plan view of the combined handset and base unit;

FIG. 29 is a right side elevation of the combined handset and base unit;

FIG. 30 is a left side elevation of the combined handset and base unit;

FIG. 31 is a bottom view of the combined handset and base unit;

FIG. 32 is a right side elevation of the closed handset;

FIG. 33 is a left side elevation of the closed handset;

FIG. 34 is a left side elevation of the open handset;

FIG. 35 is a bottom plan view of the closed handset;

FIG. 36 is a bottom plan view of the open handset;

FIG. 37 is a top plan view of the base unit;

FIG. 38 is a right side elevation of the base unit;

FIG. 39 is a left side elevation of the base unit;

FIG. 40 is a front elevation of the base unit;

FIG. 41 is a rear elevation of the base unit;

FIG. 42 is a front elevation of the closed handset;

FIG. 43 is a rear elevation of the closed handset;

FIG. 44 is a front elevation of the open handset;

FIG. 45 is a rear elevation of the open handset; and,

FIG. 46 is a bottom view of the base unit thereof.

The handset has been shown separately in FIGS. 9-13, 19-22, 32-36 and 42-45 and the base unit has been shown separately in FIGS. 14-18, 23, 37-41 and 46 both for convenience of illustration.

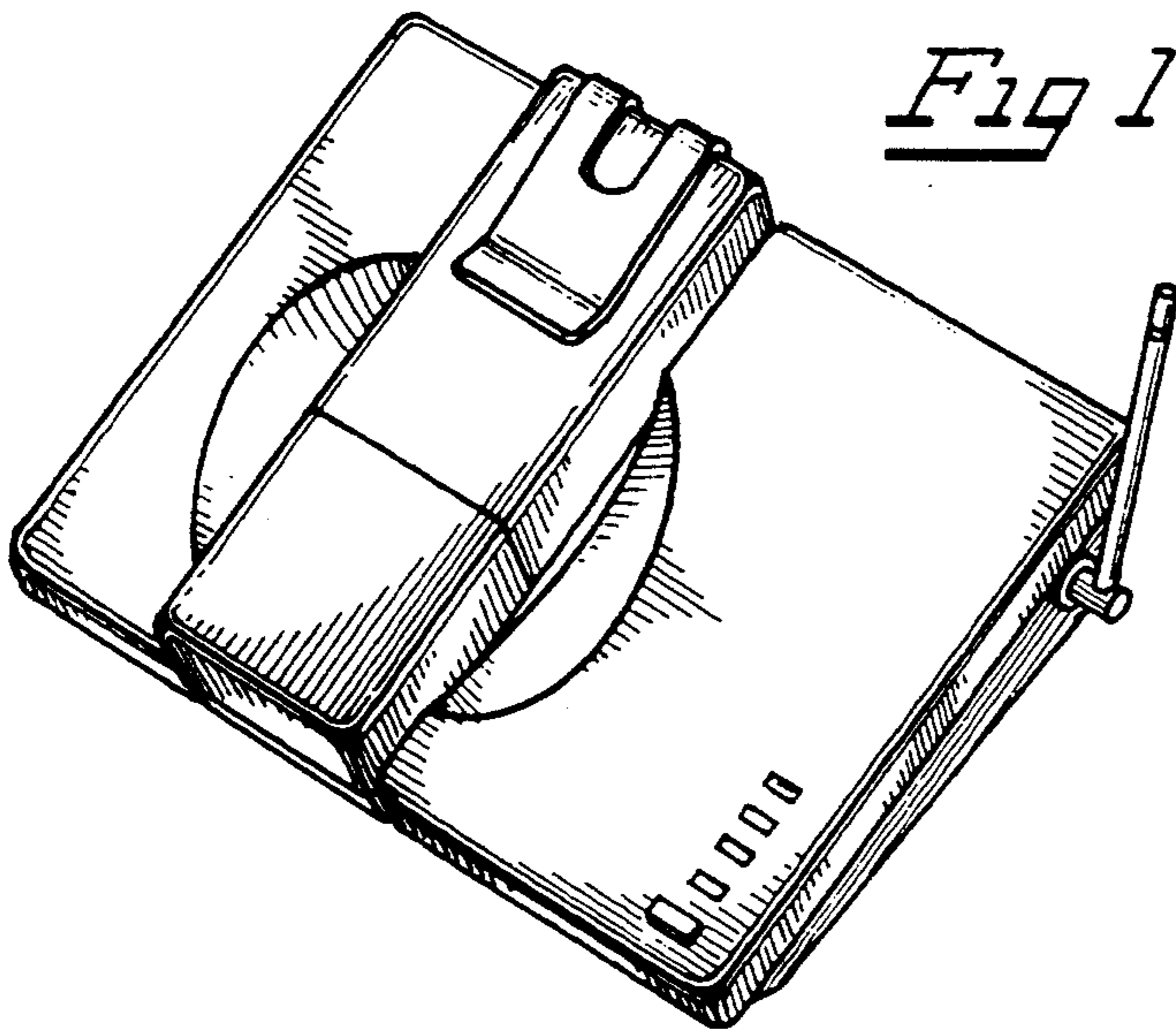


Fig 2

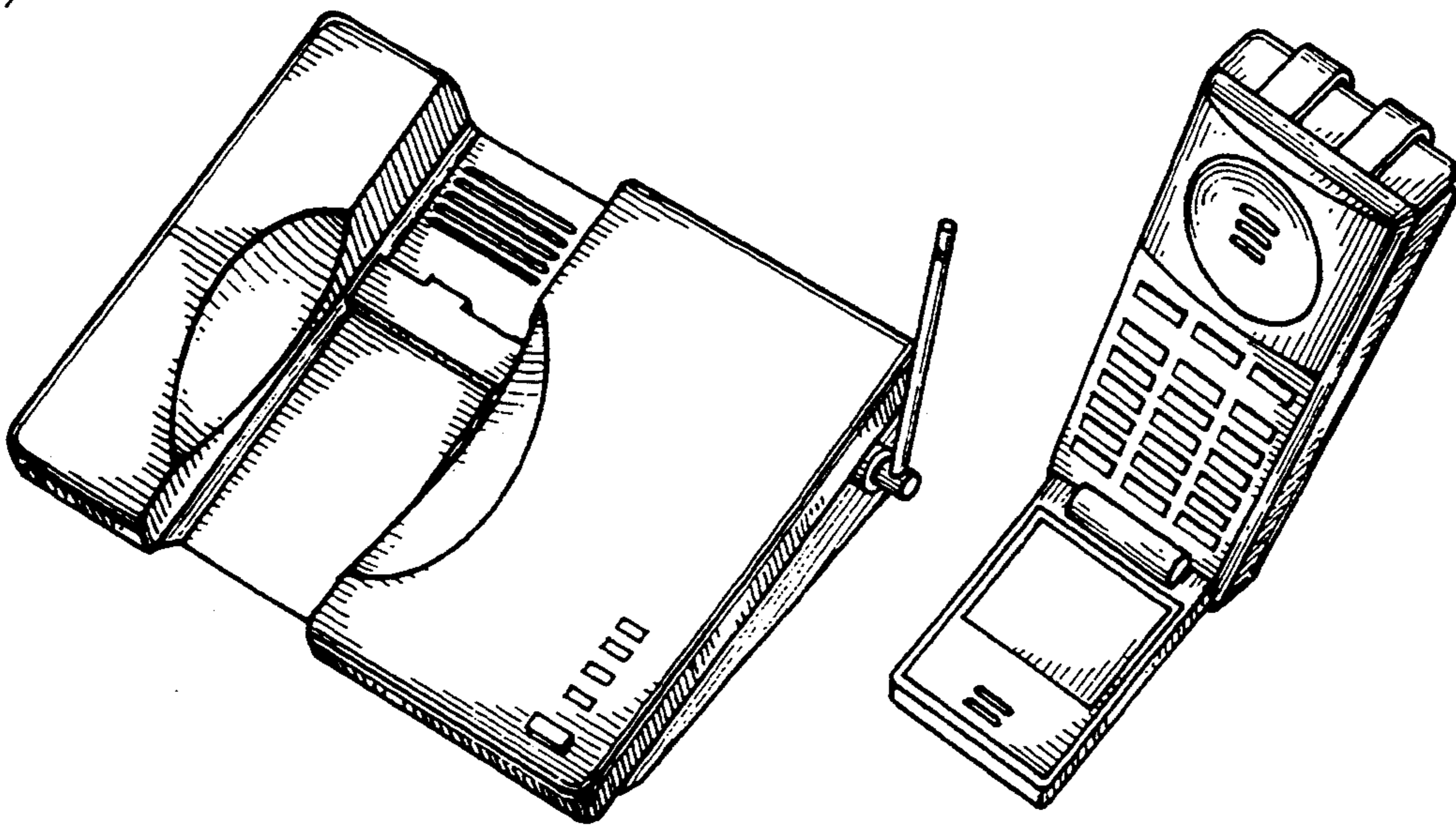
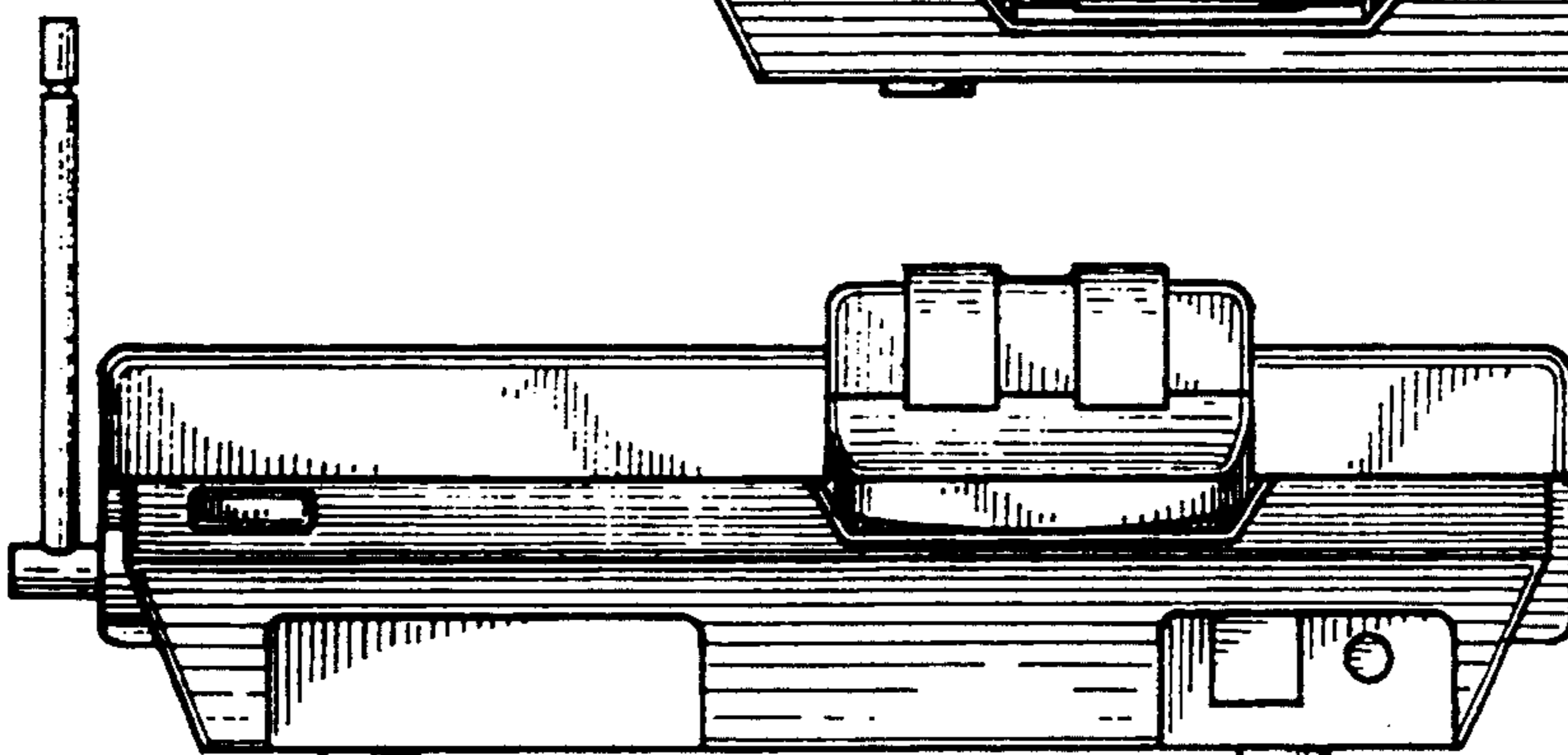
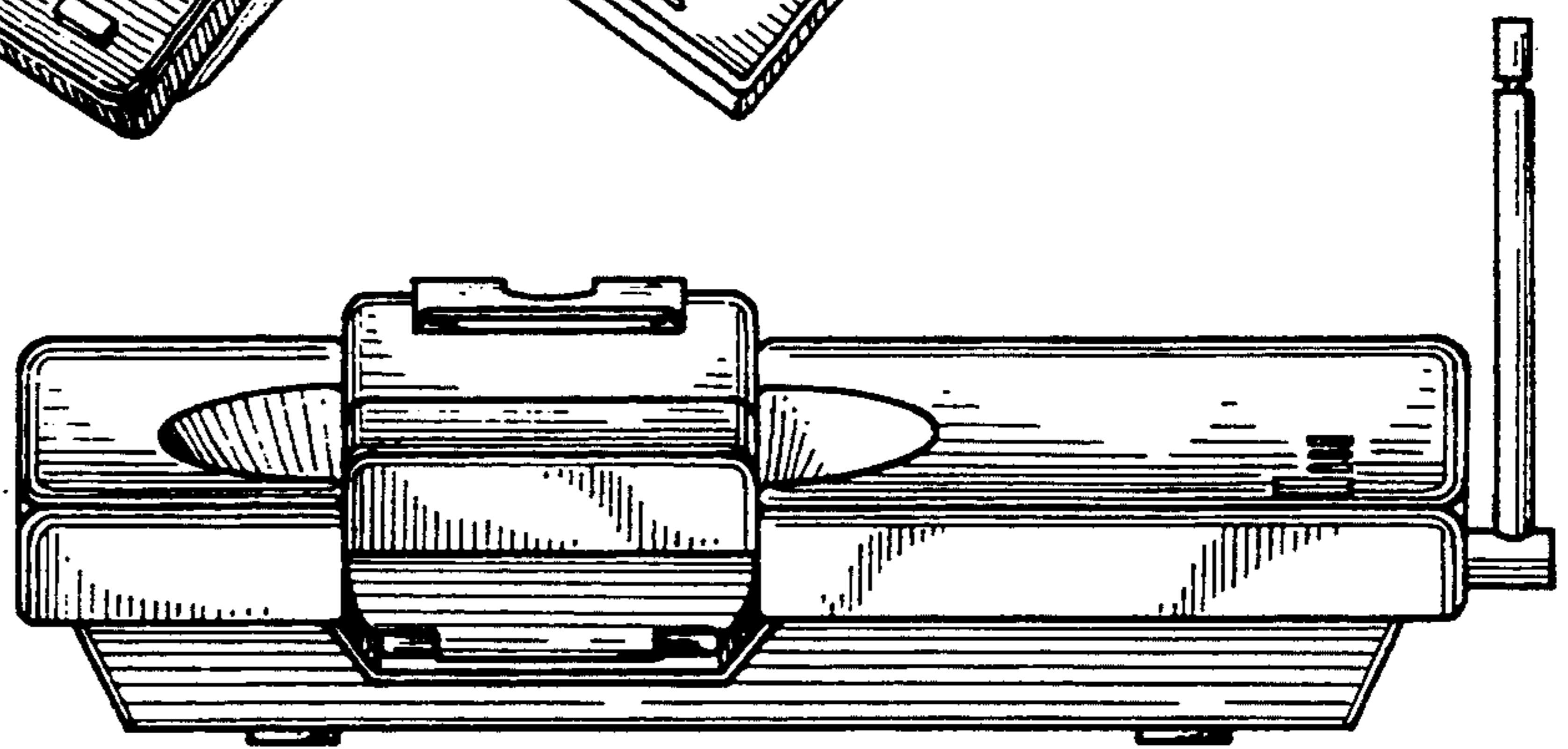


Fig 3



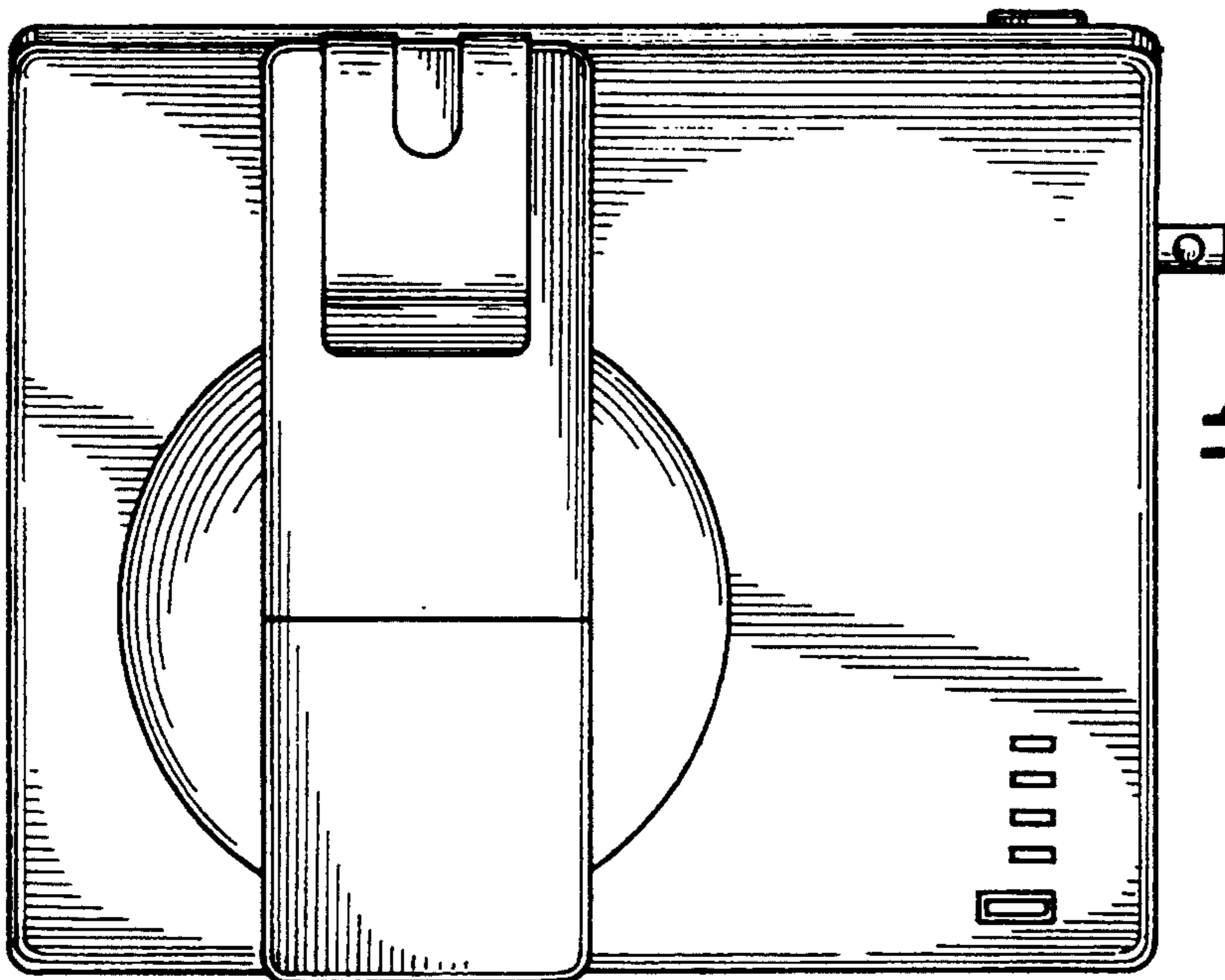


Fig 5

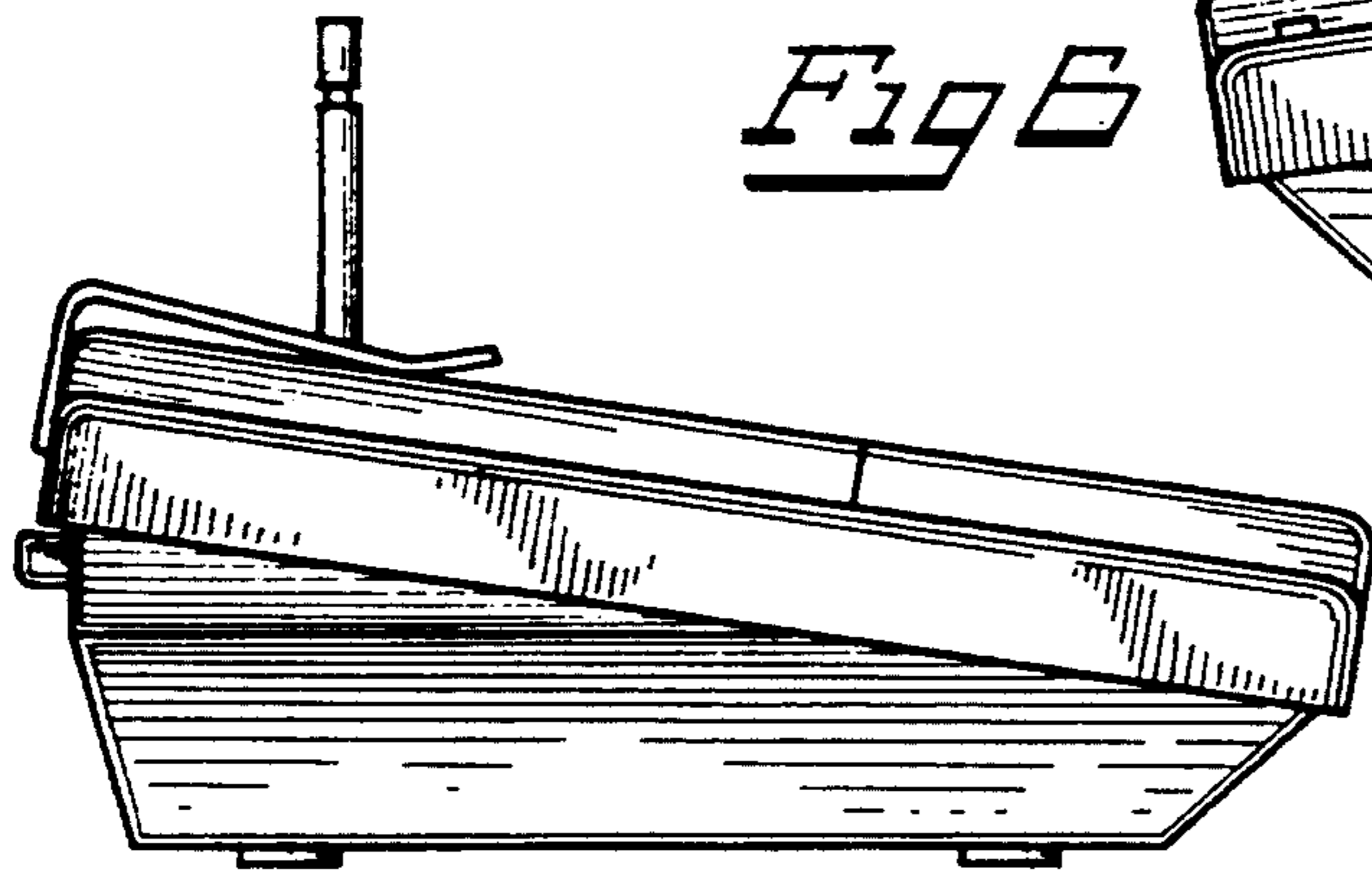


Fig 6

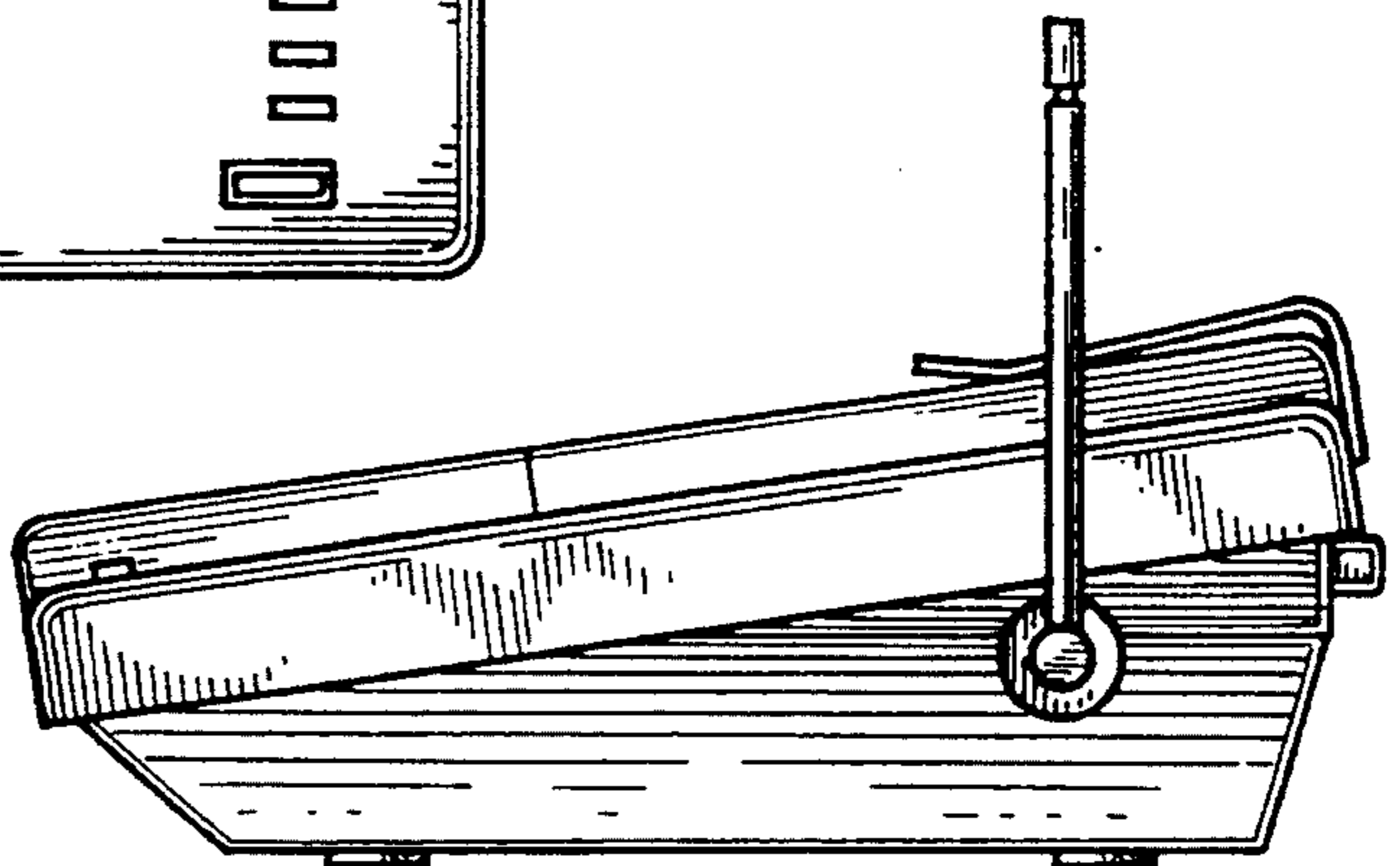


Fig 7

Fig 8

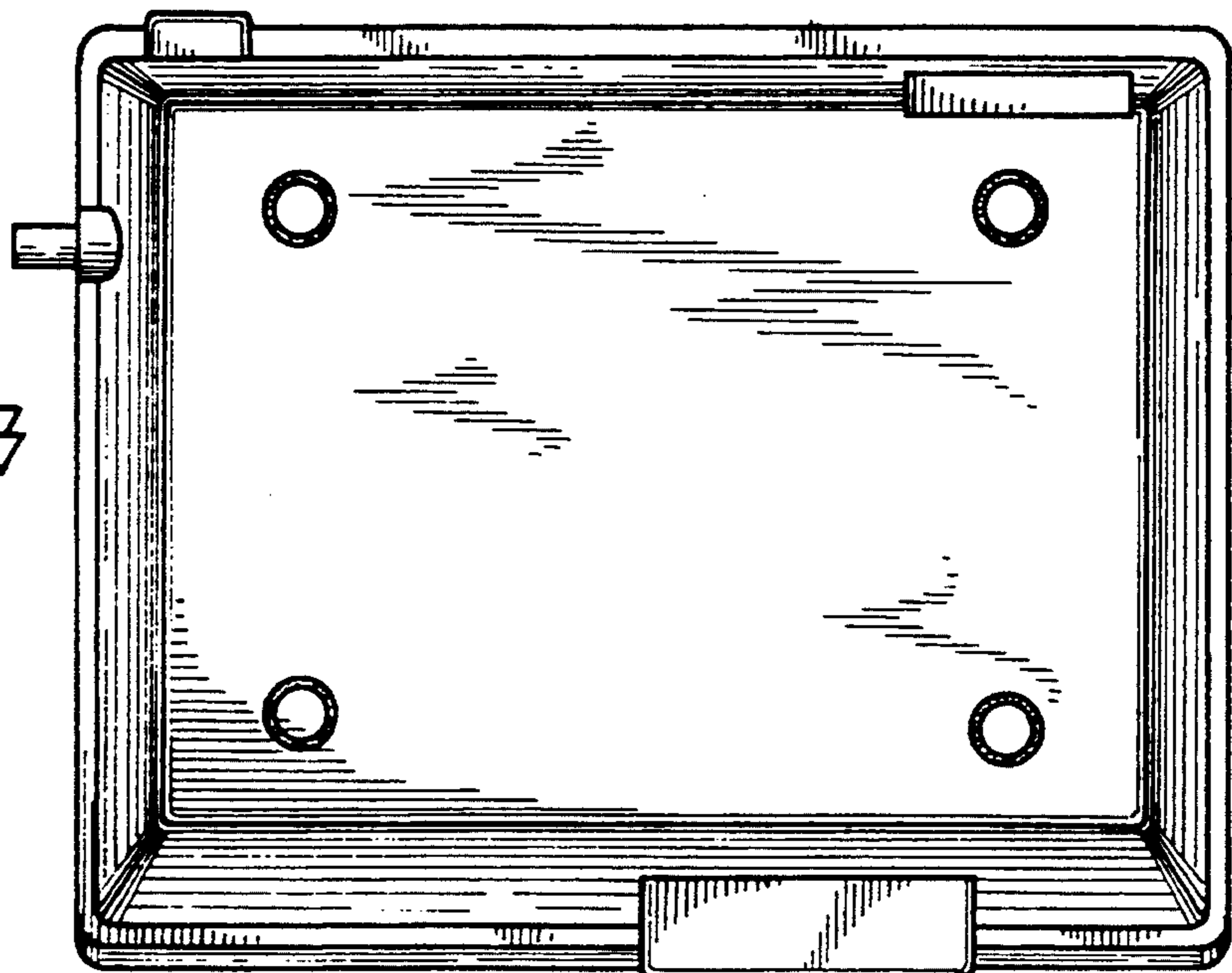


Fig 9

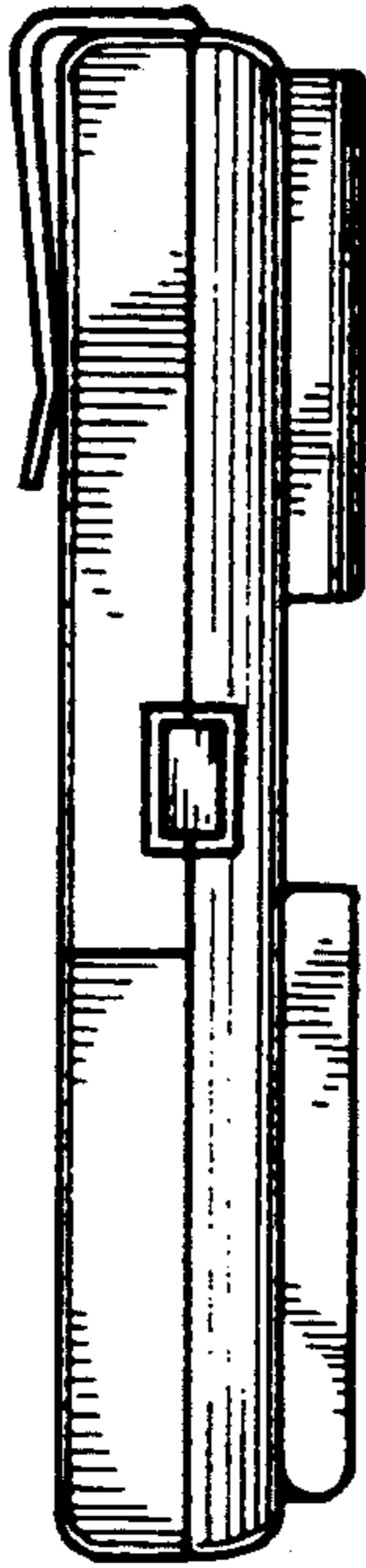


Fig 10

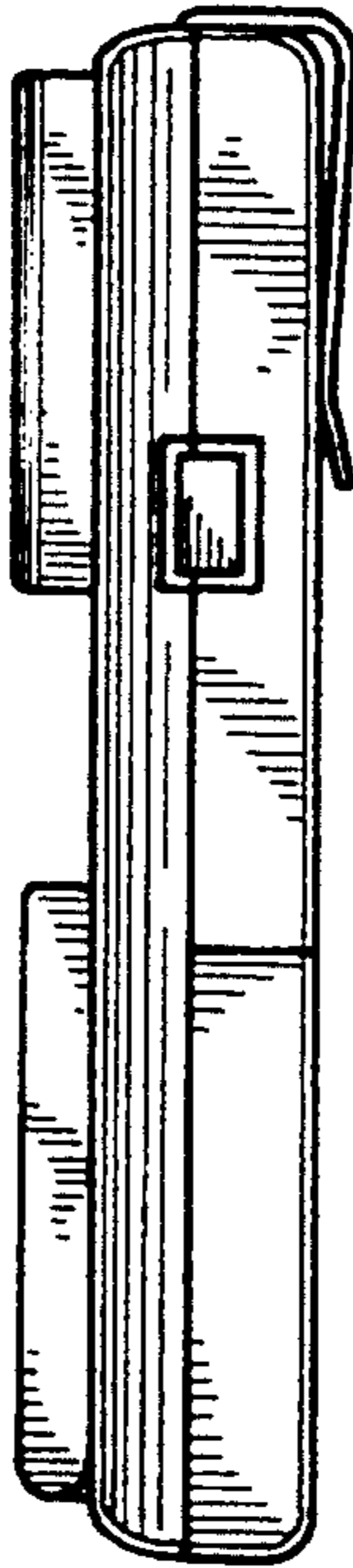


Fig 11

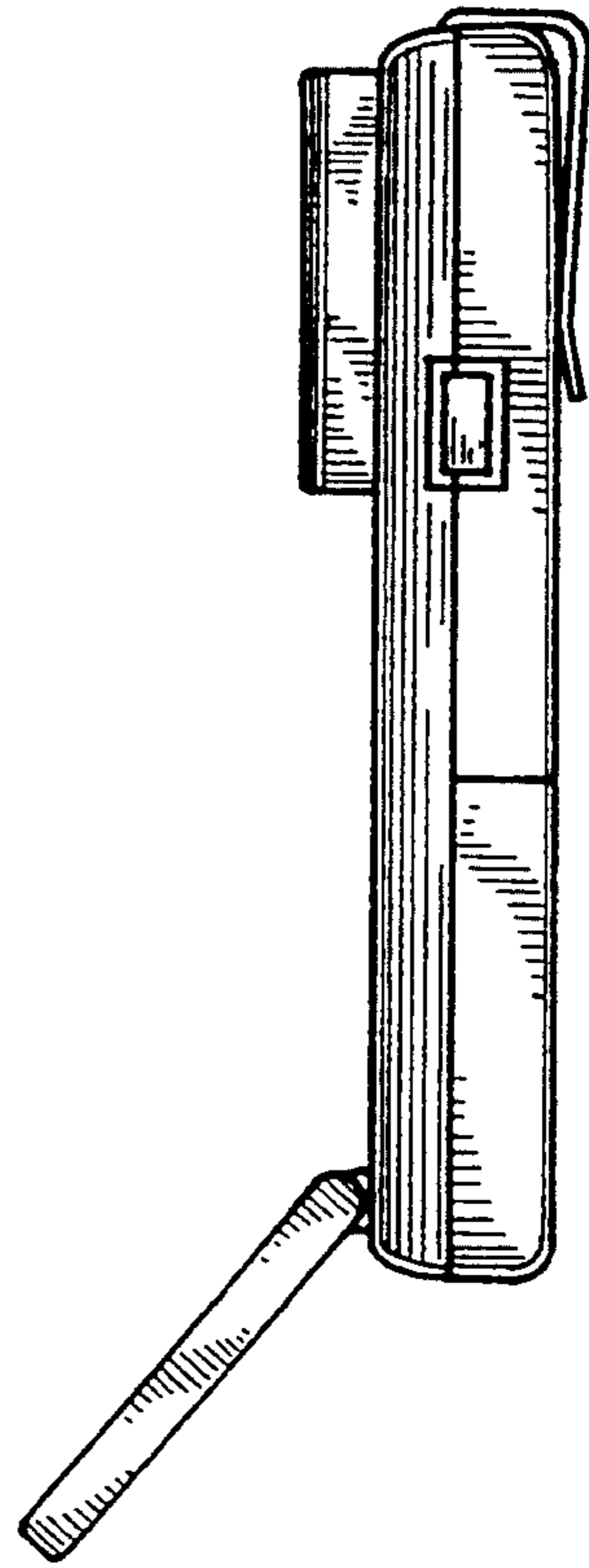


Fig 12

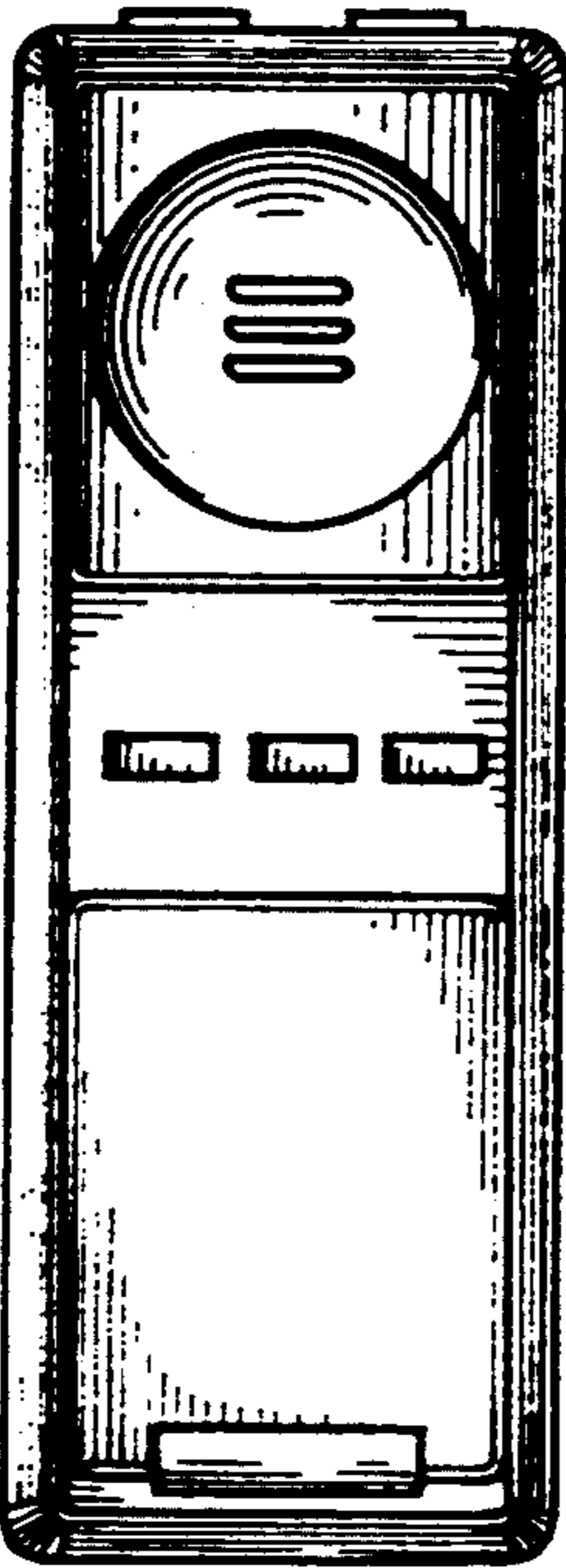
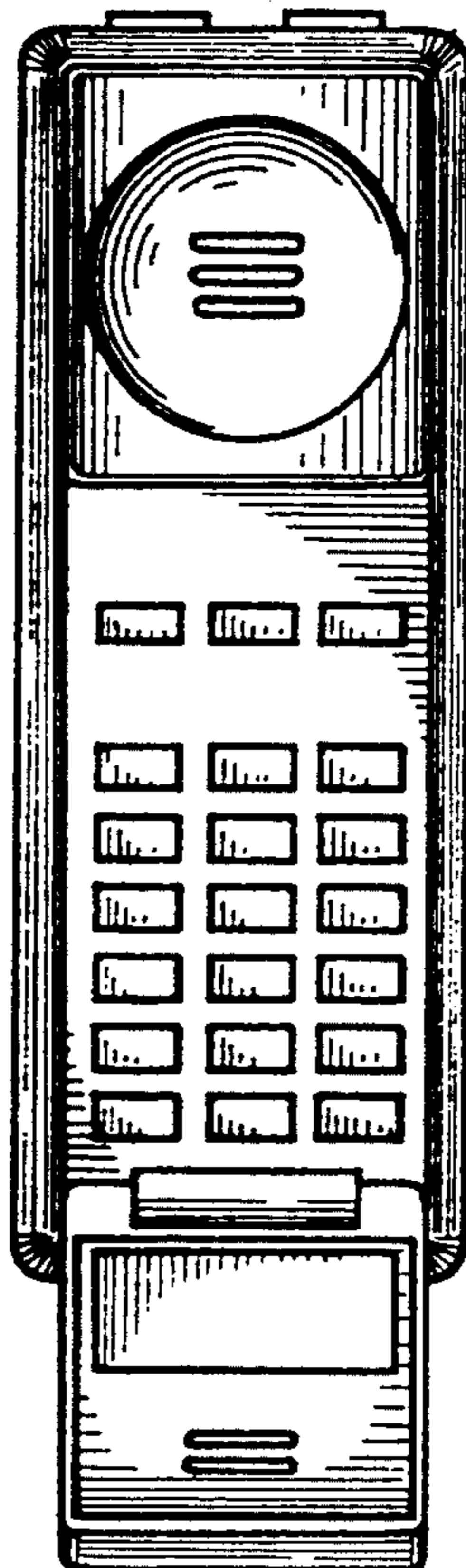


Fig 13



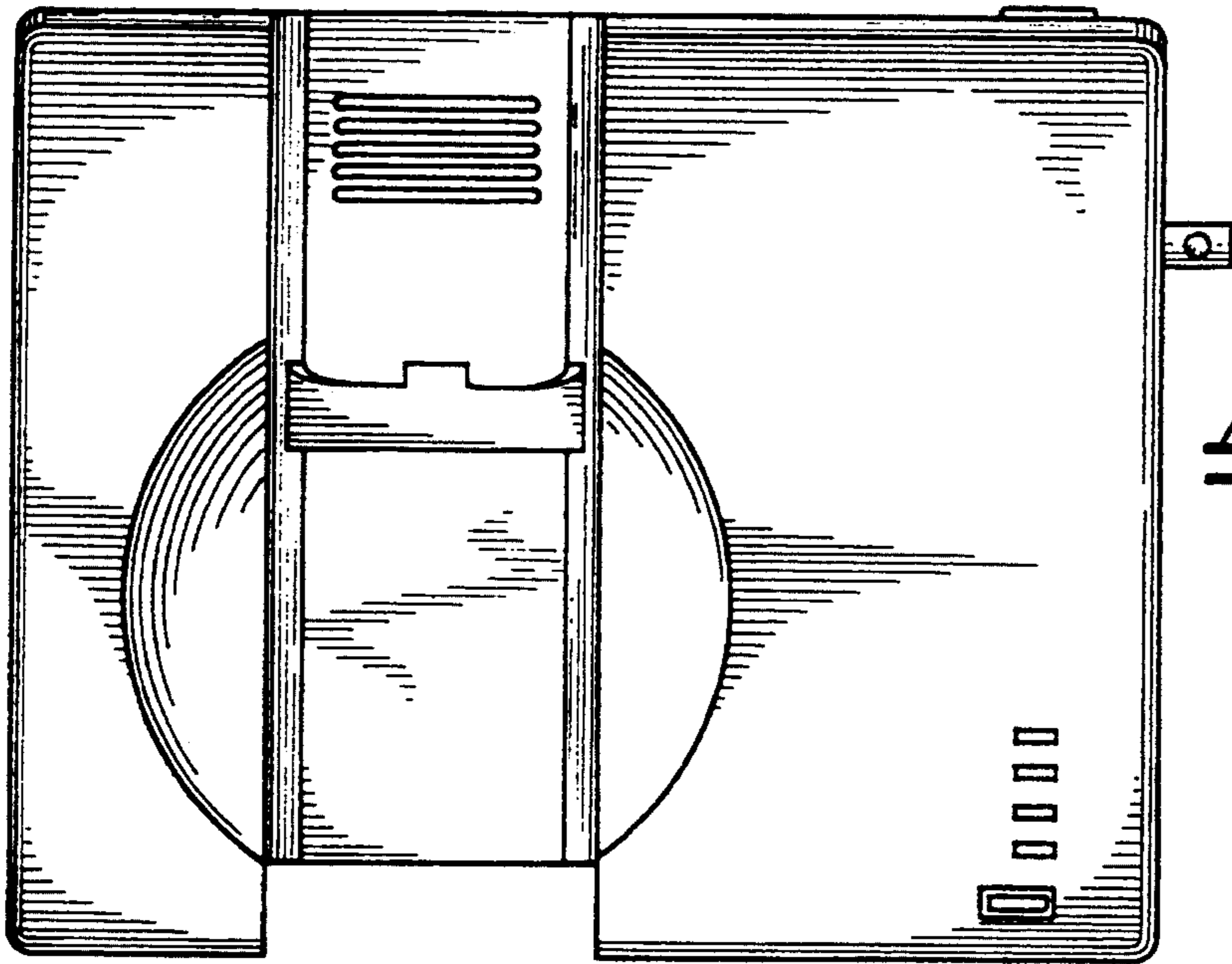


Fig 14

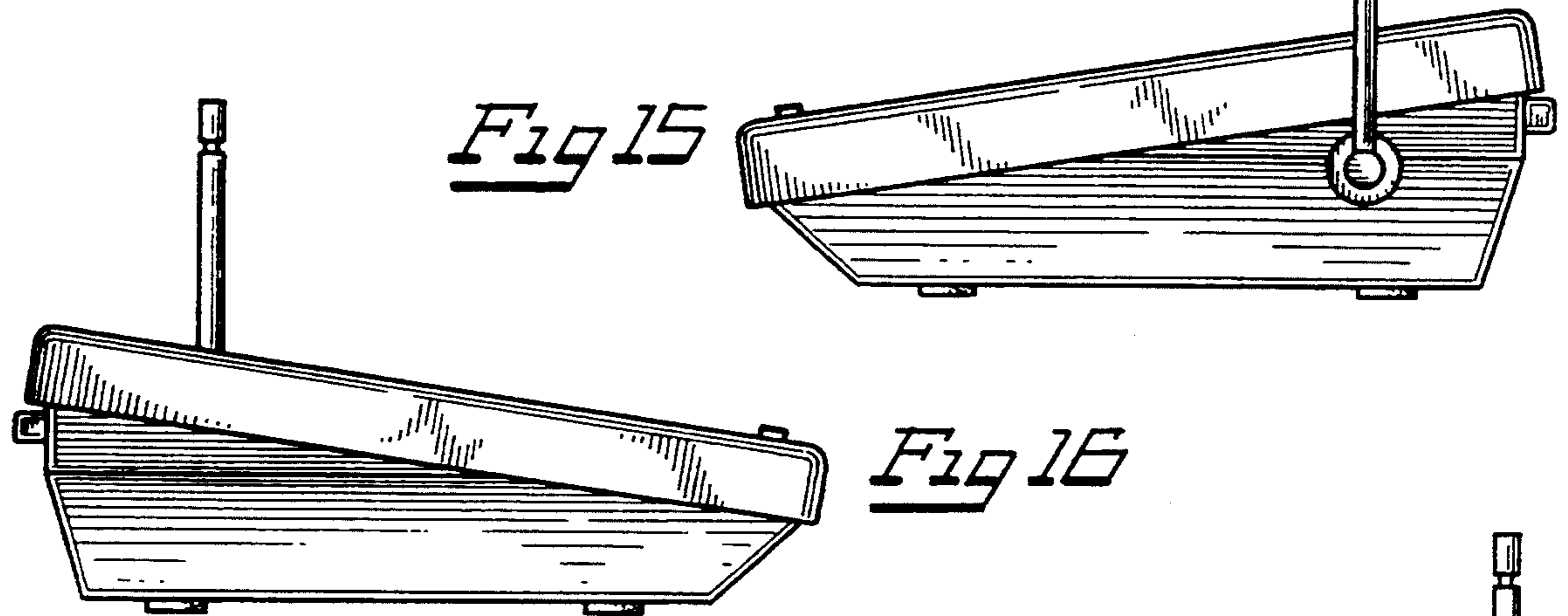


Fig 15

Fig 16

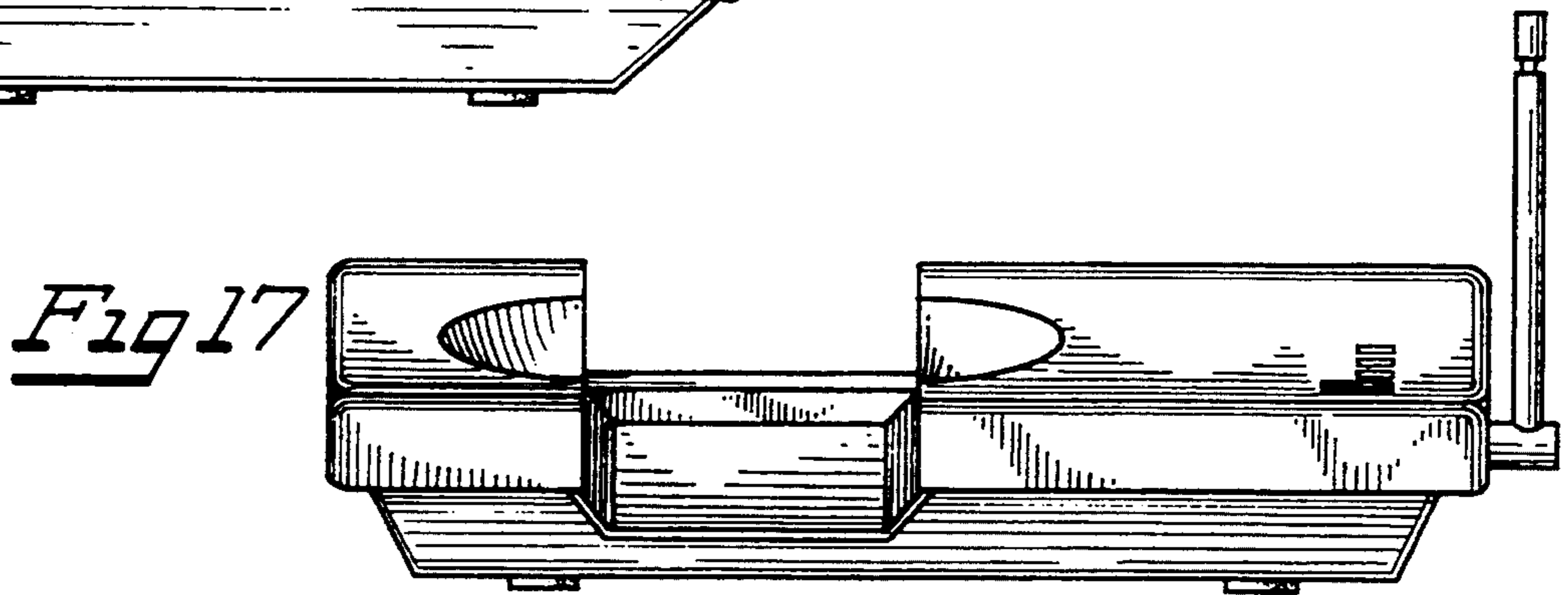


Fig 17

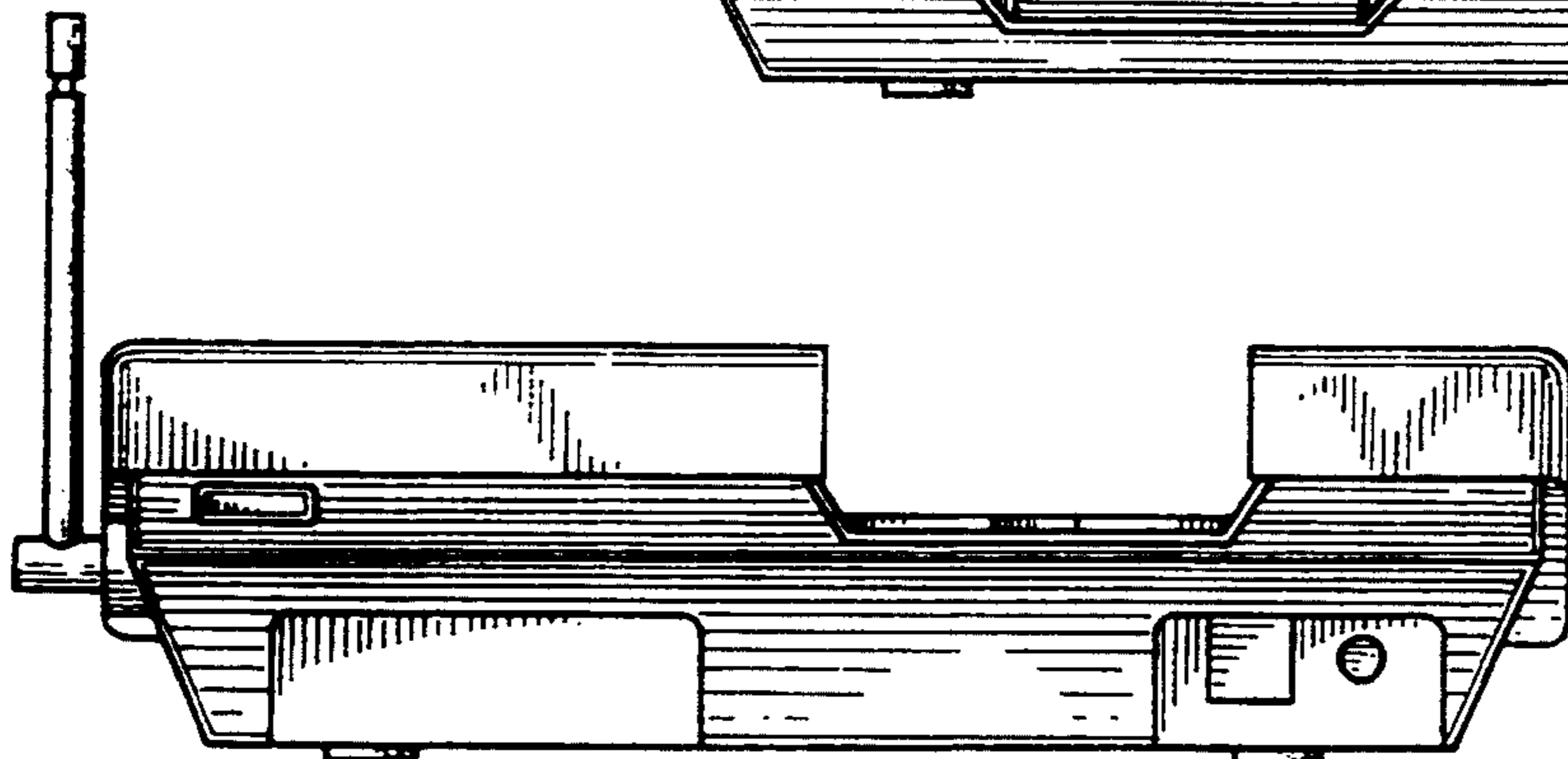


Fig 18

Fig 19

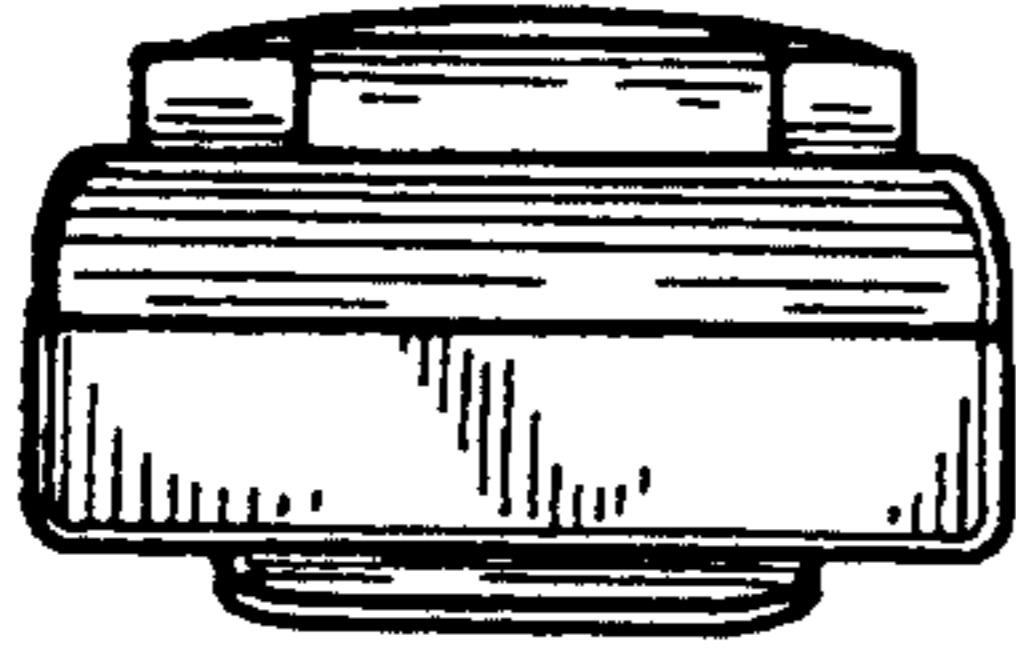


Fig 20

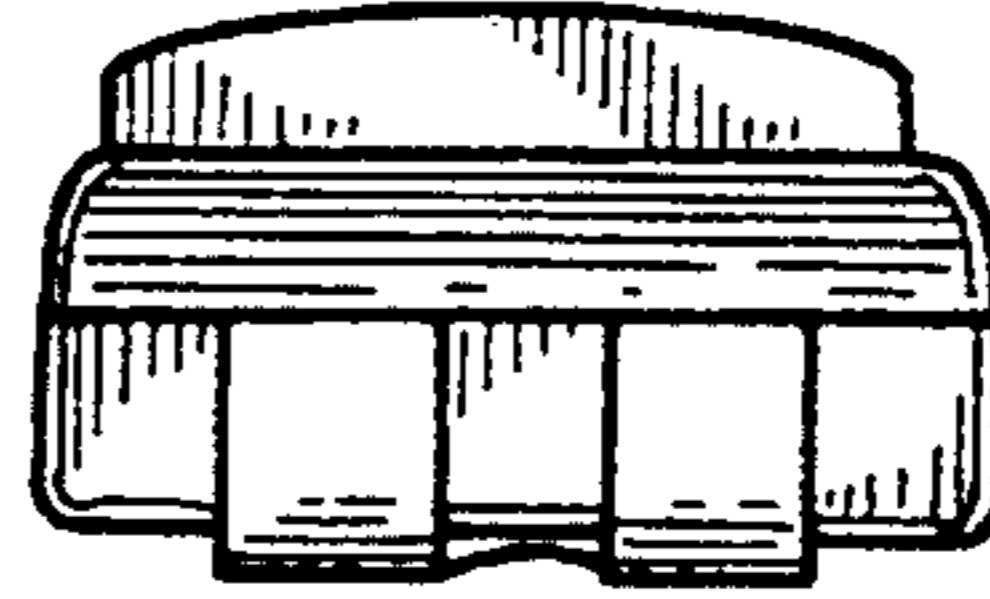


Fig 21

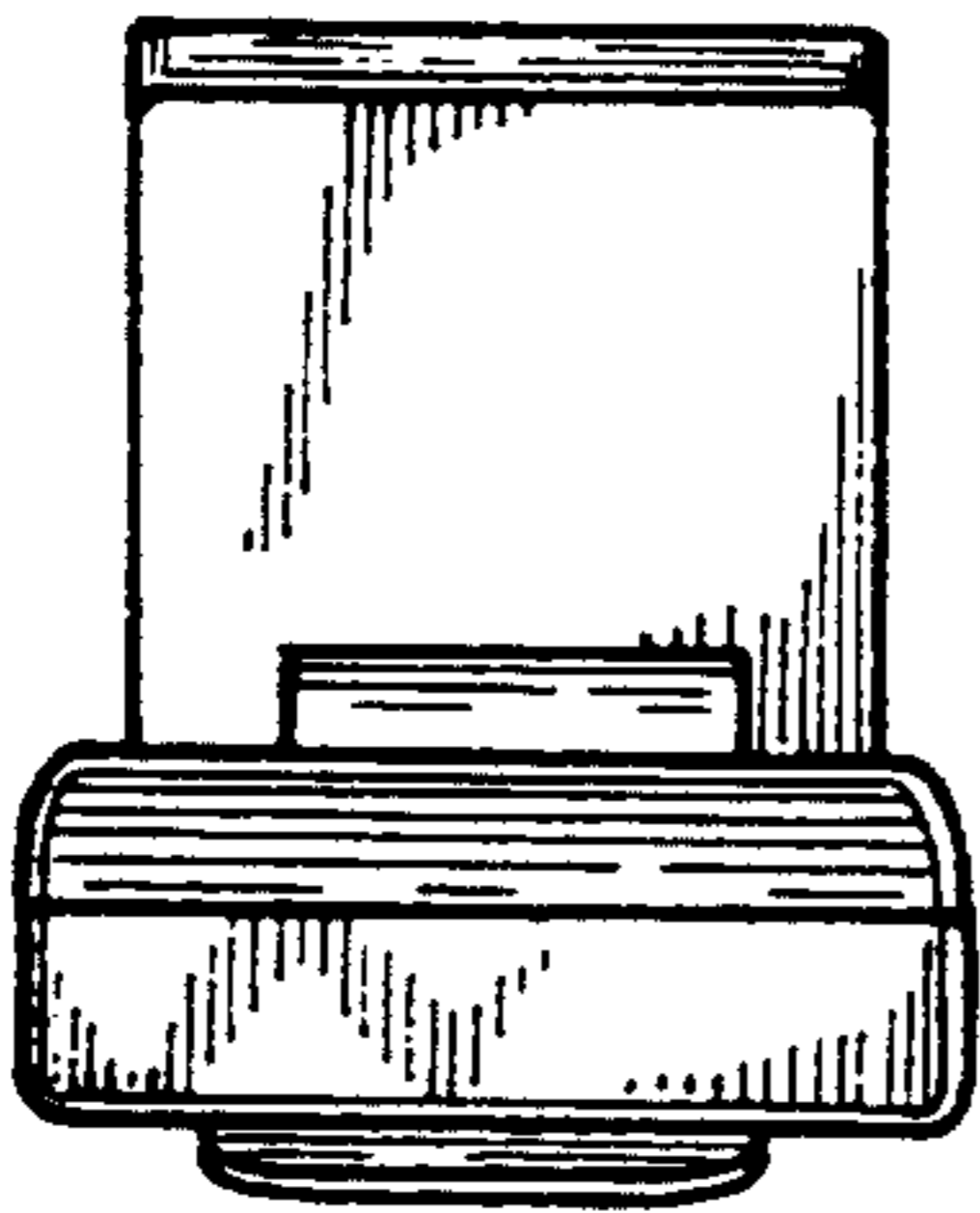


Fig 22

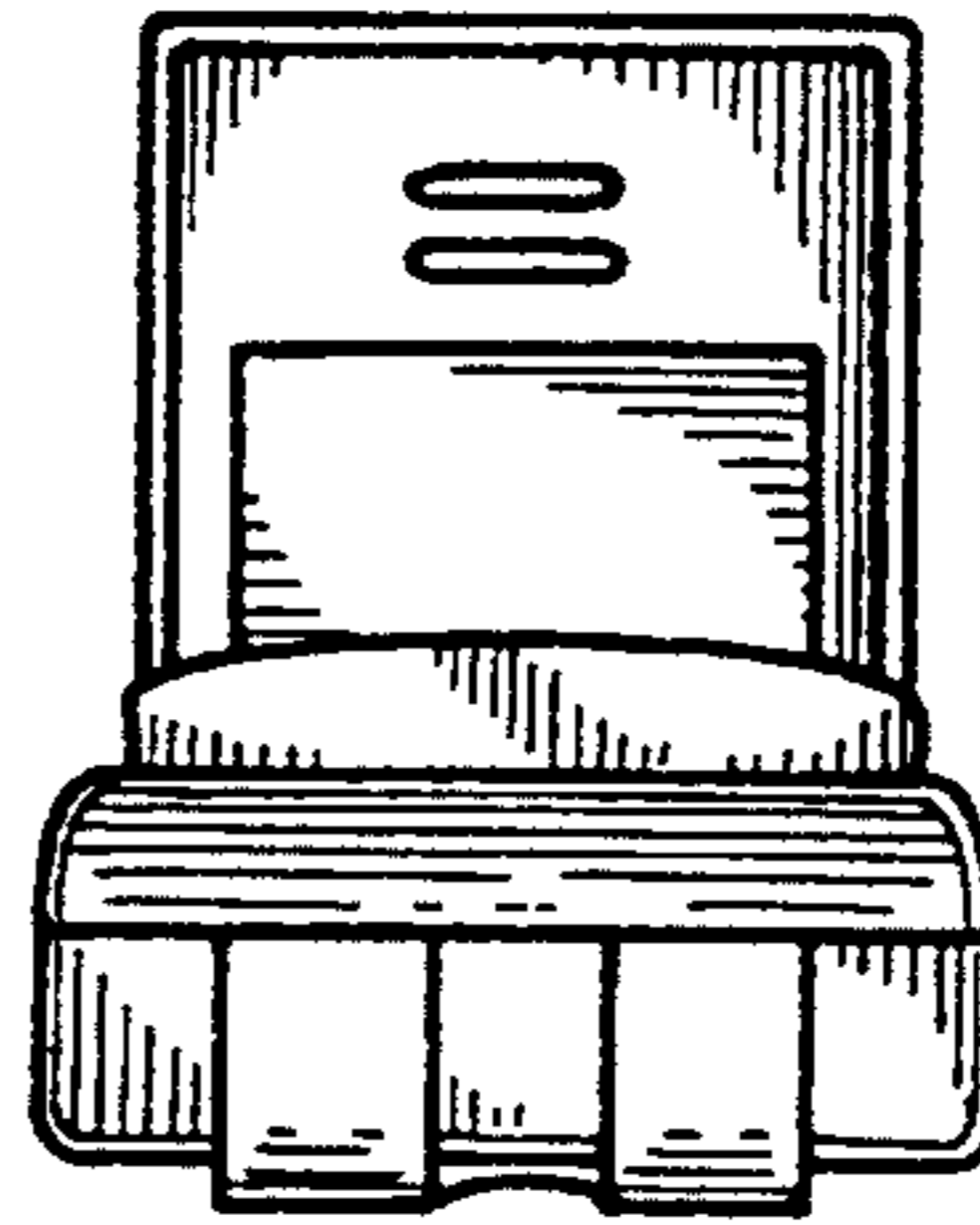
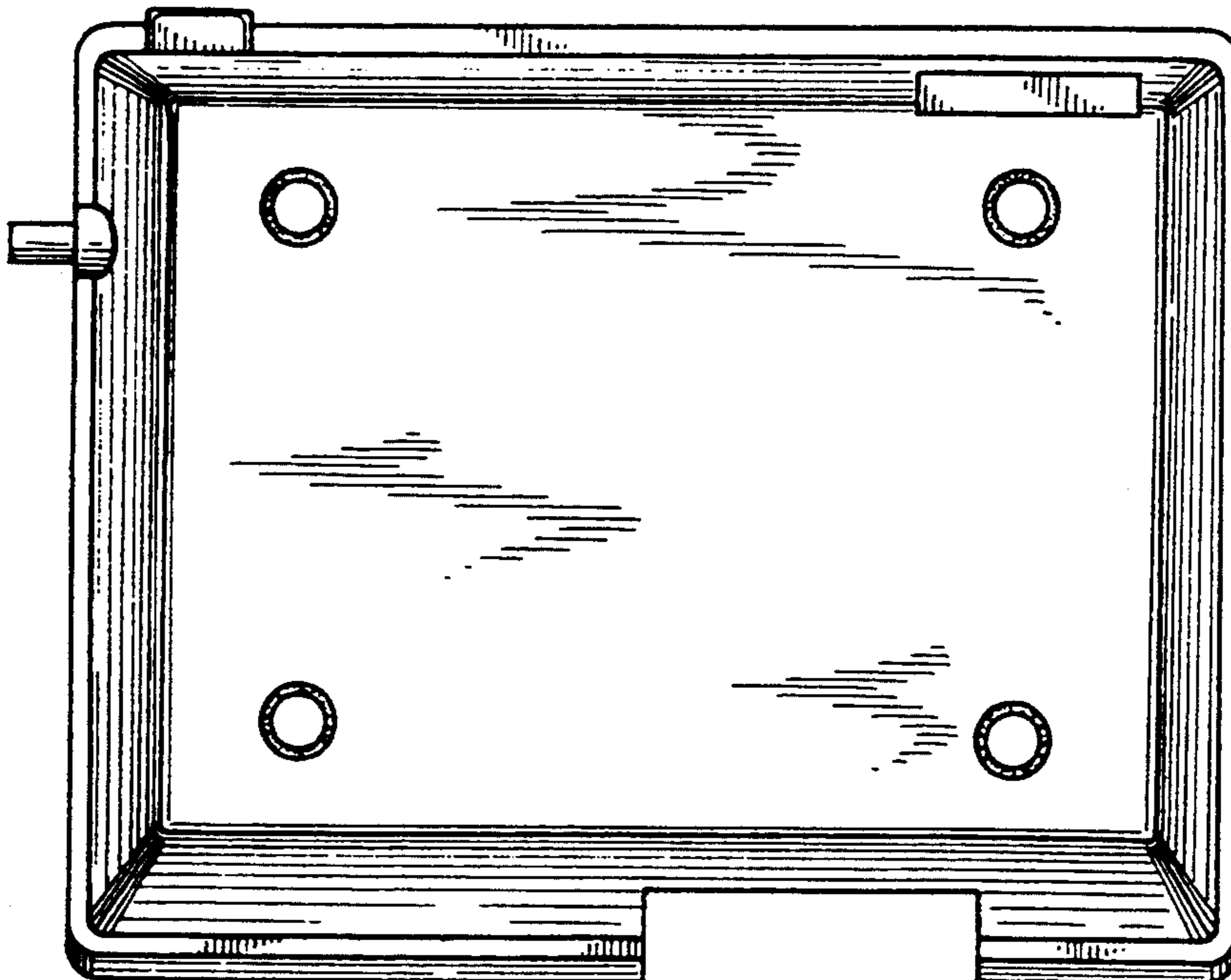


Fig 23



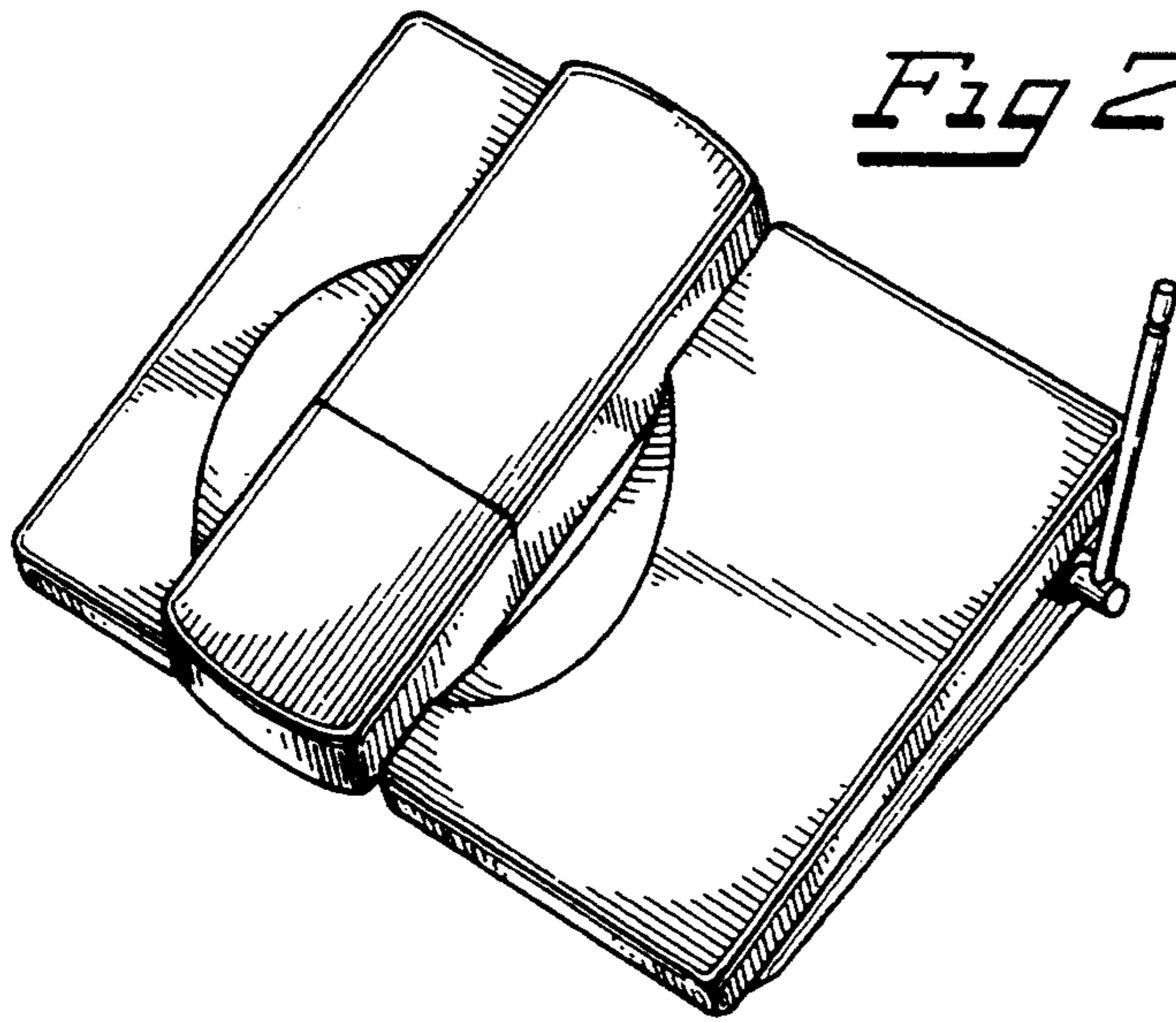


Fig 24

Fig 25

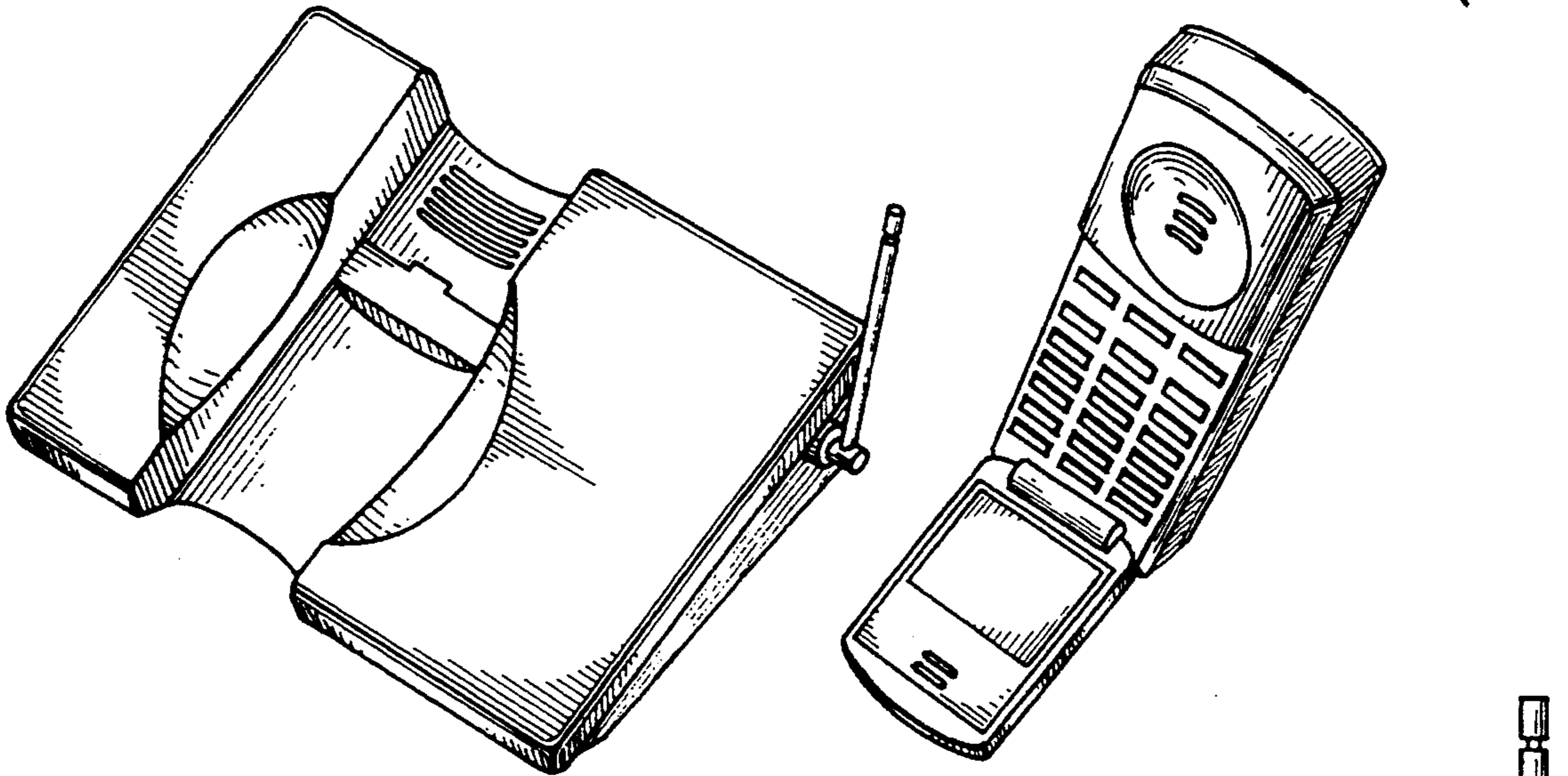


Fig 26

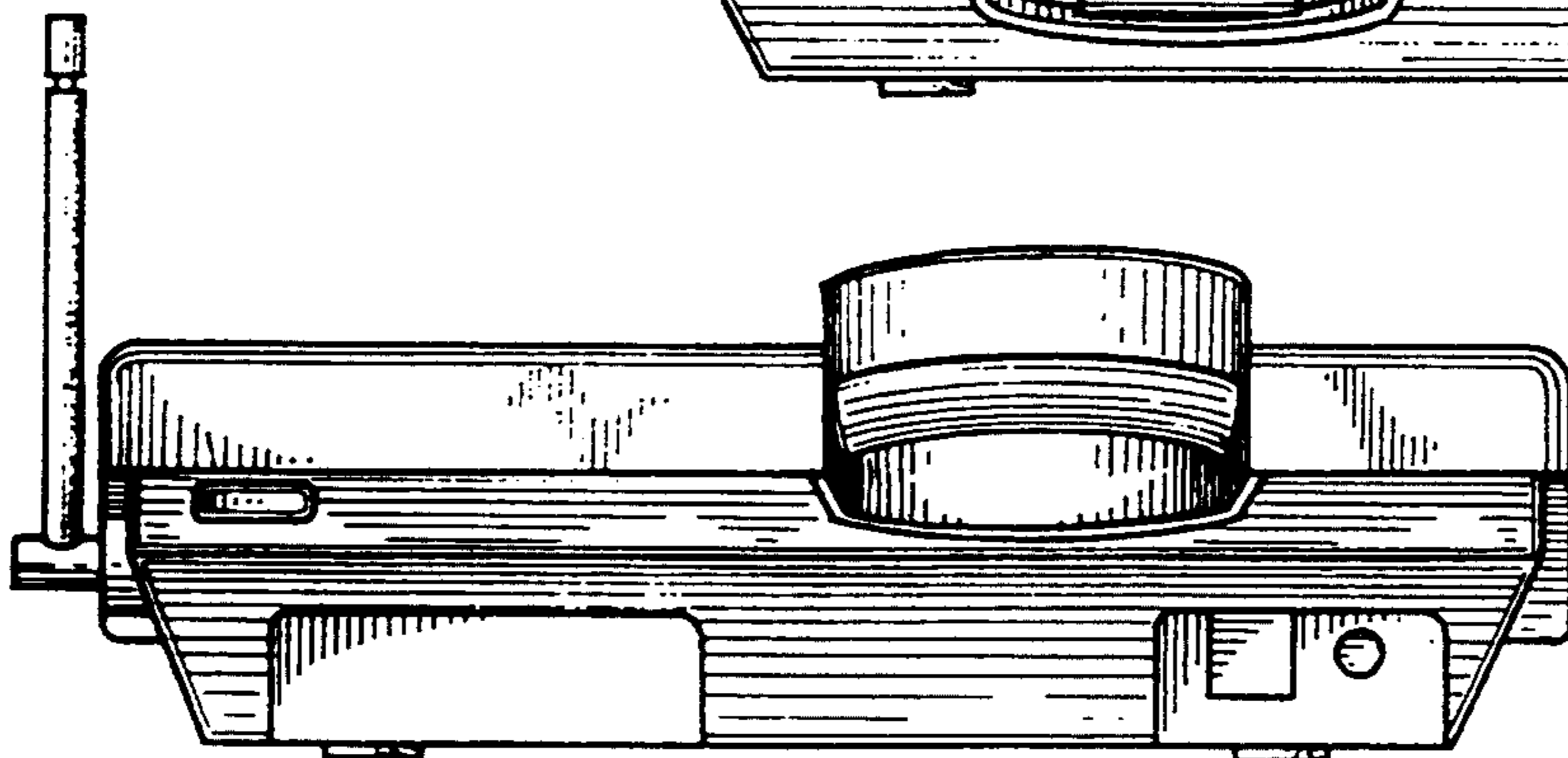
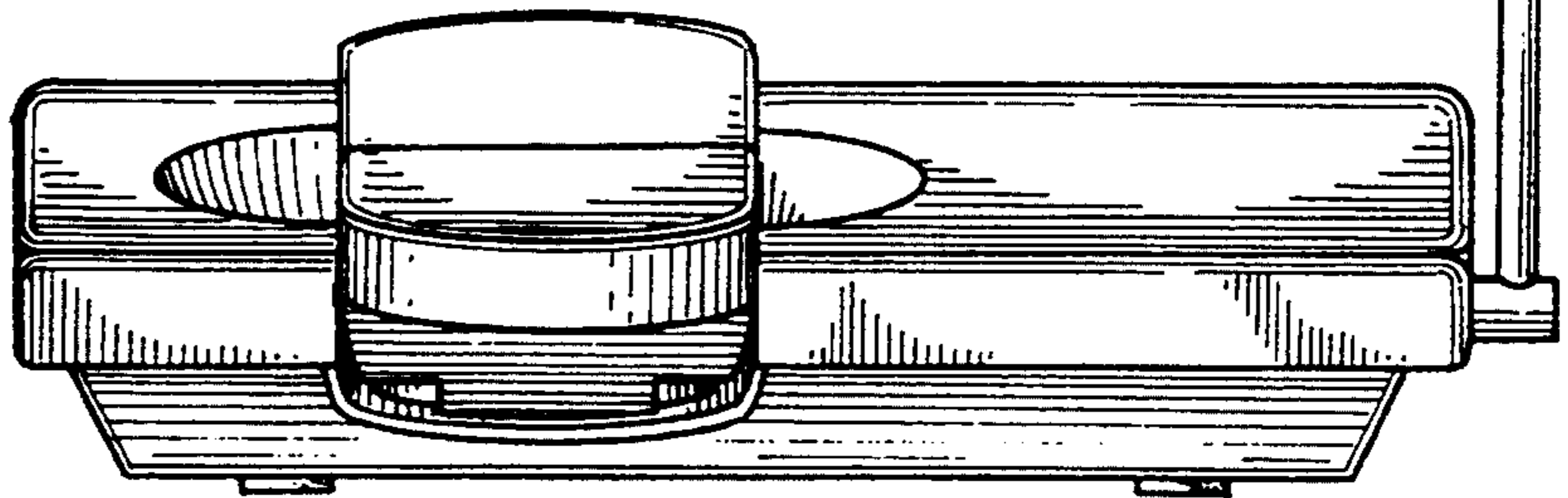


Fig 27

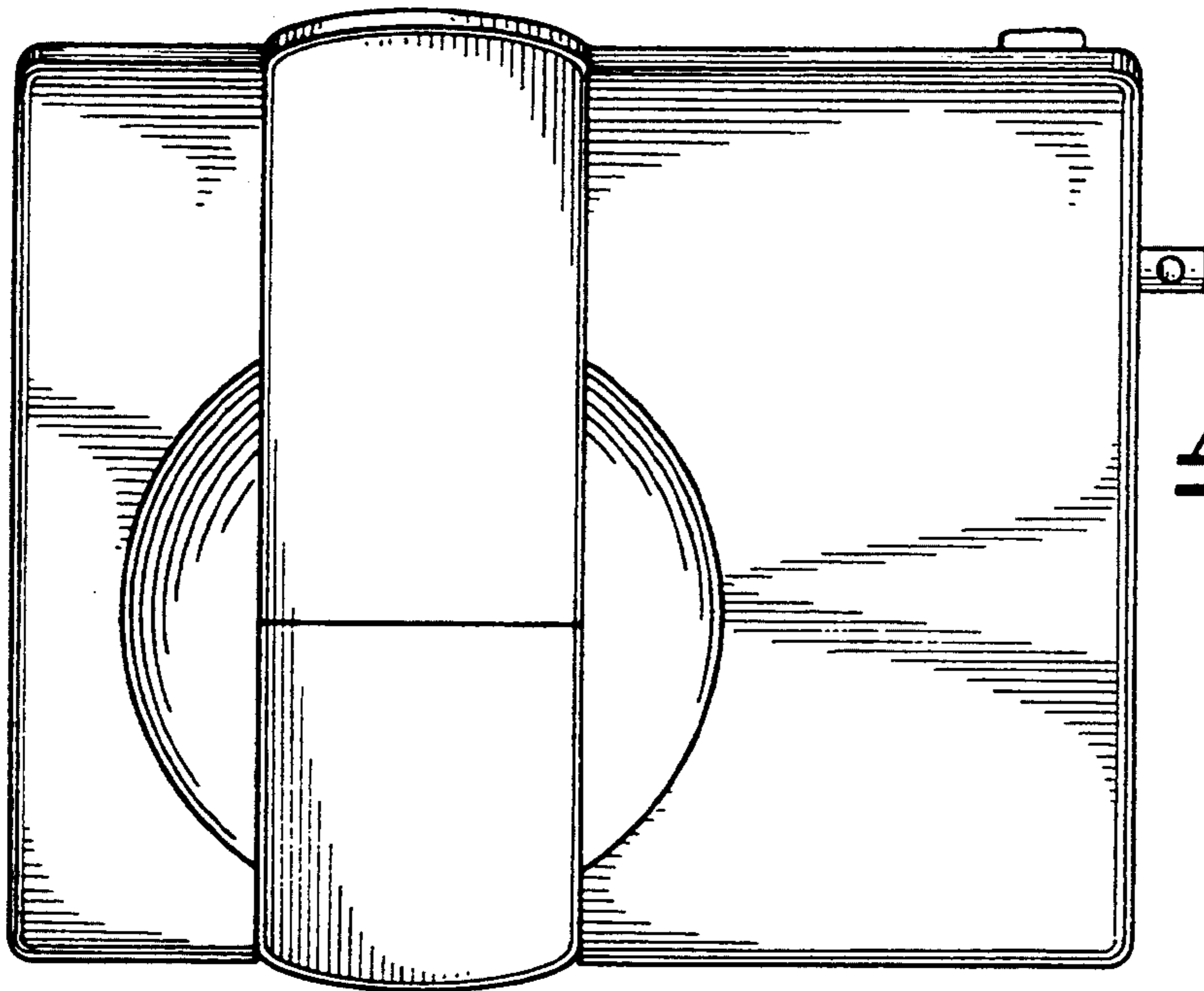


Fig 28

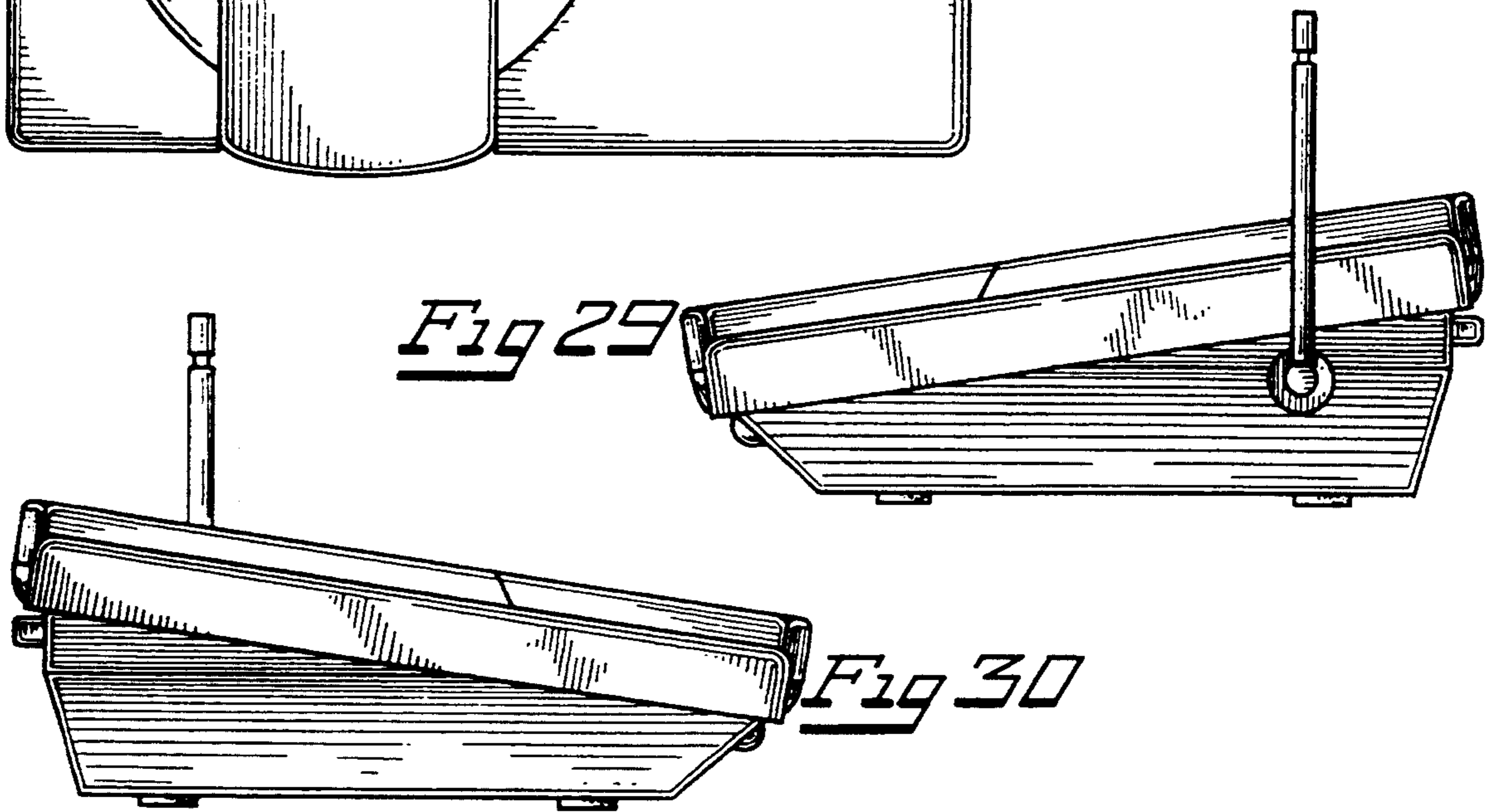


Fig 29

Fig 30

Fig 31

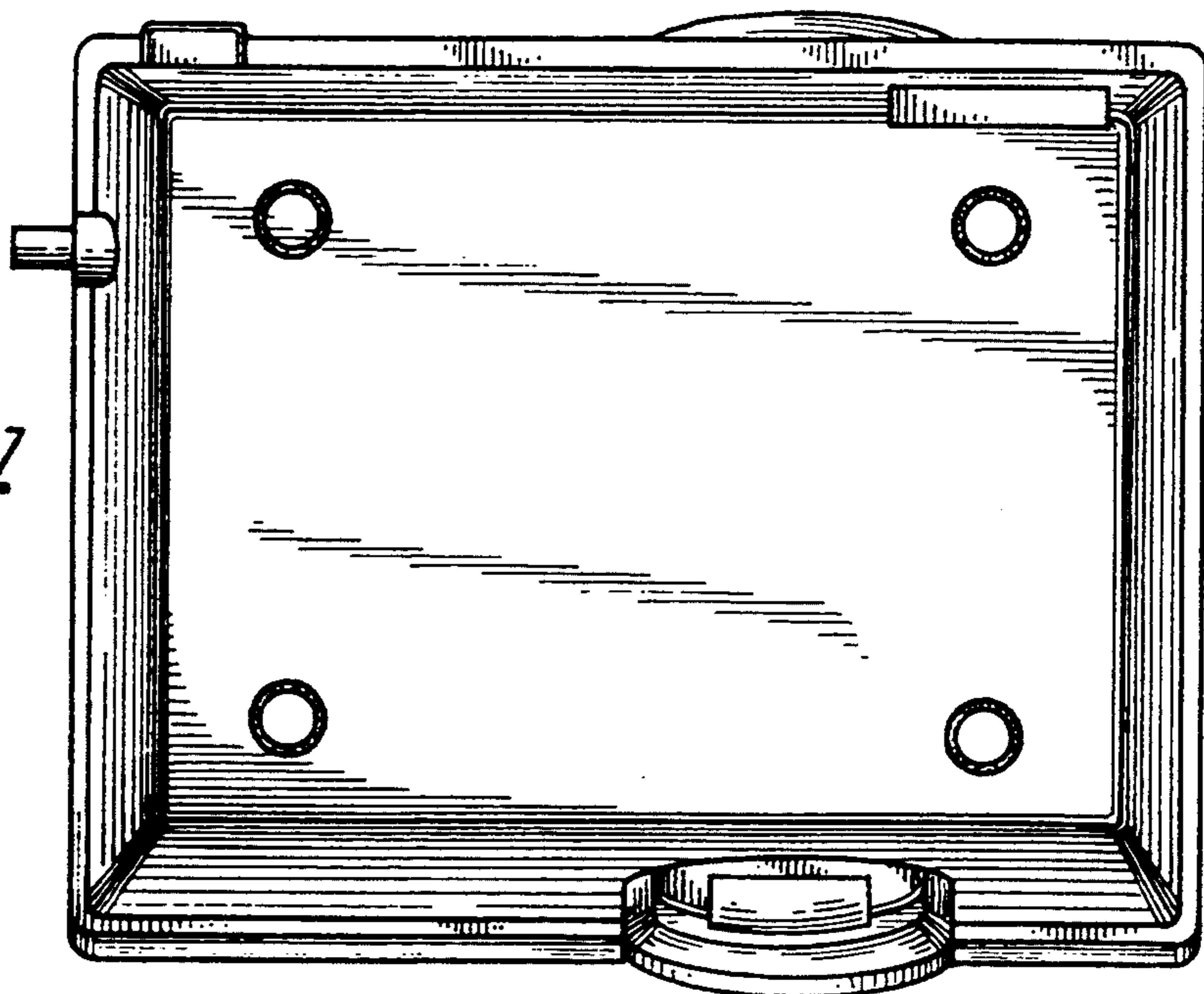


Fig 32

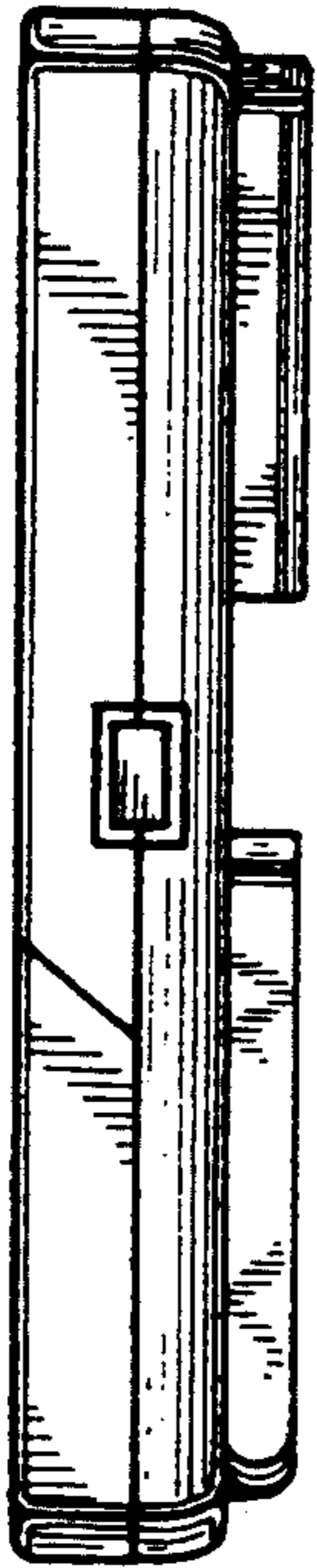


Fig 33

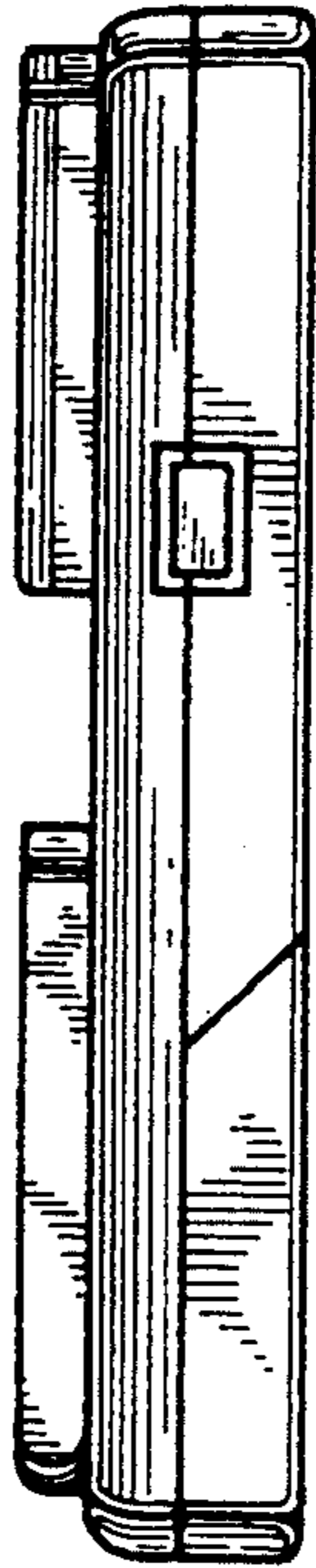


Fig 34

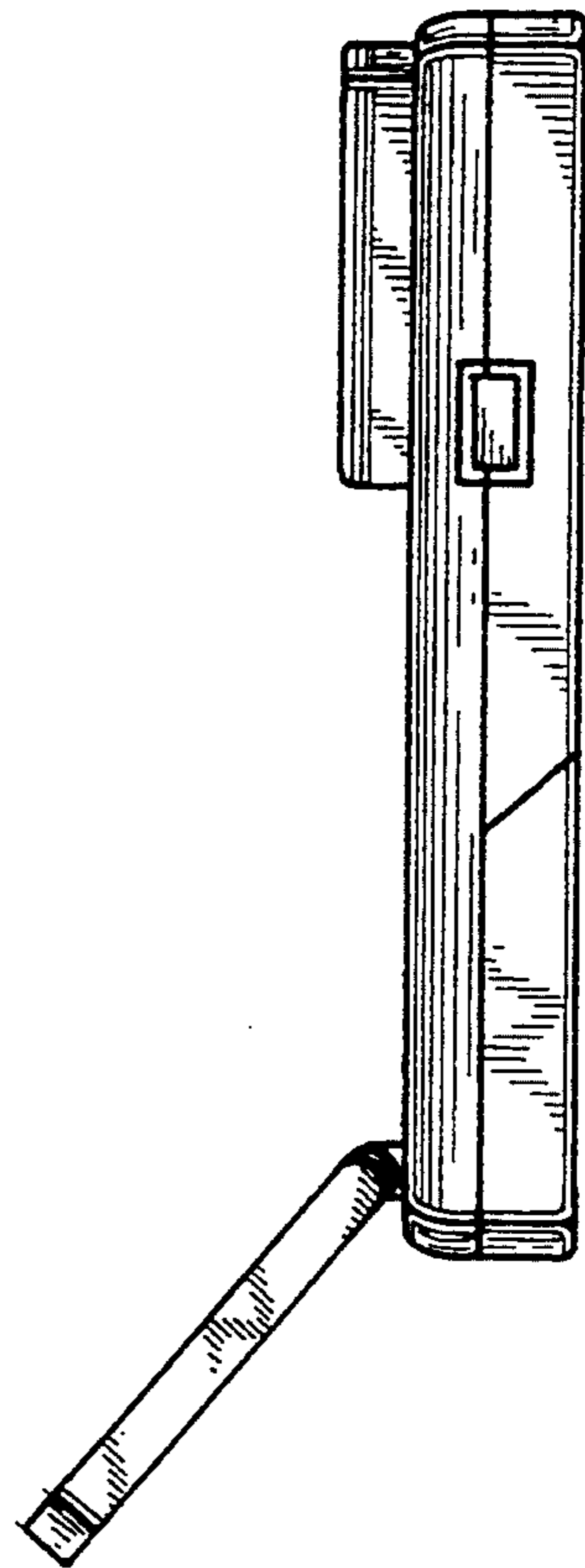


Fig 35

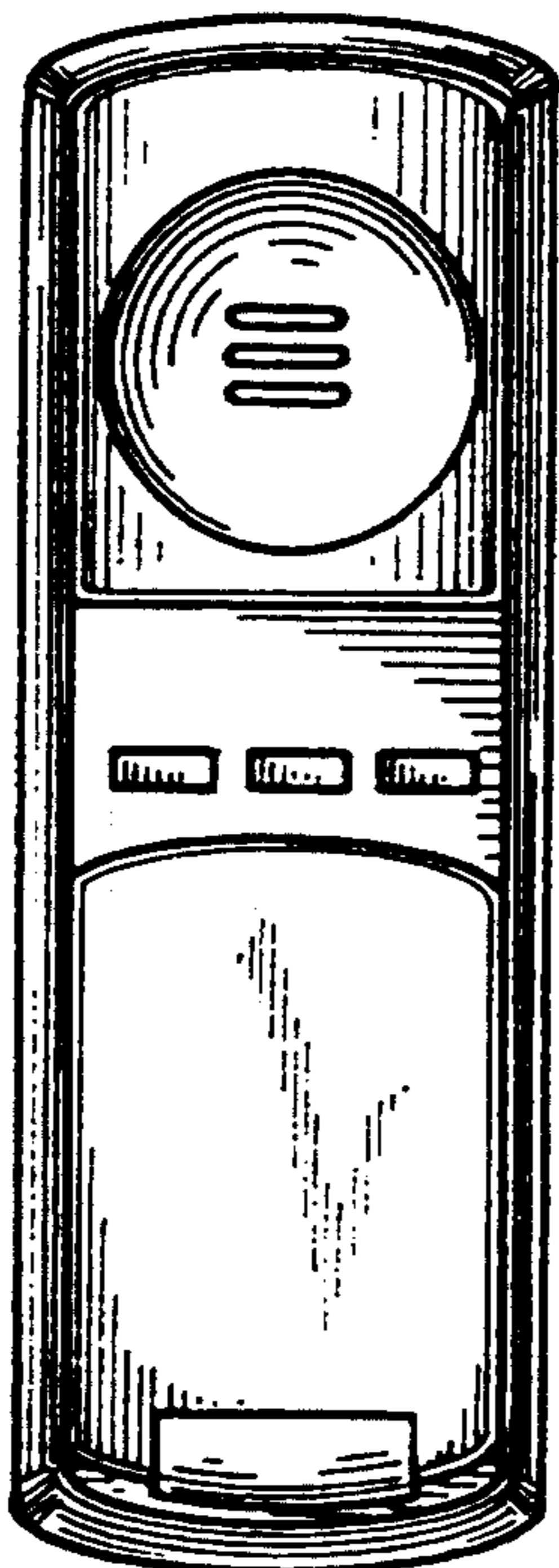
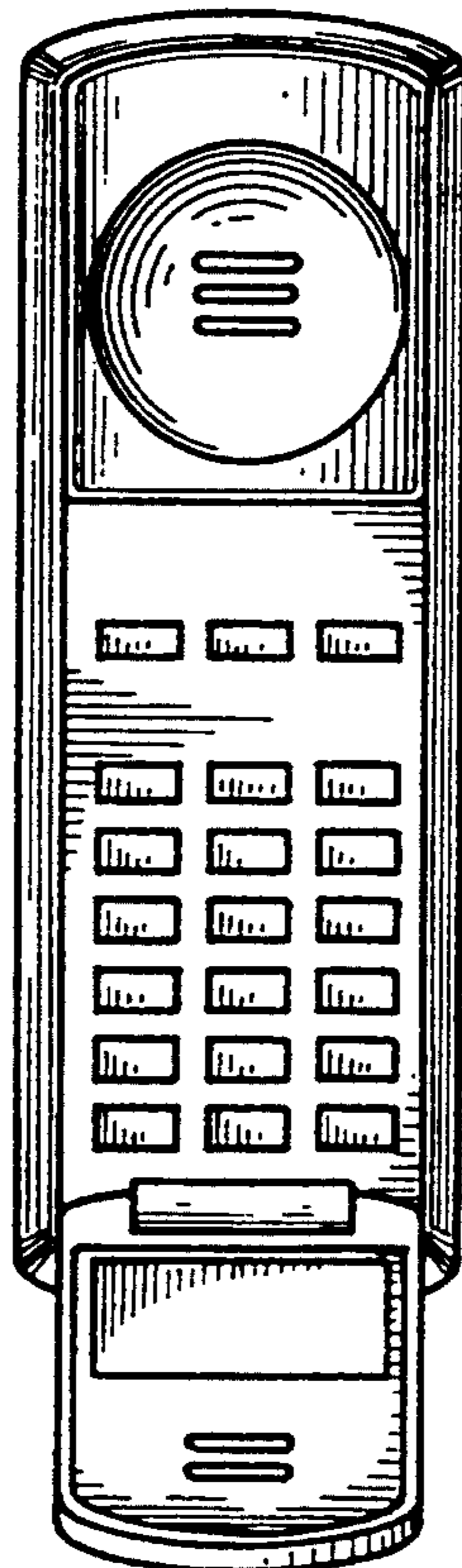


Fig 36



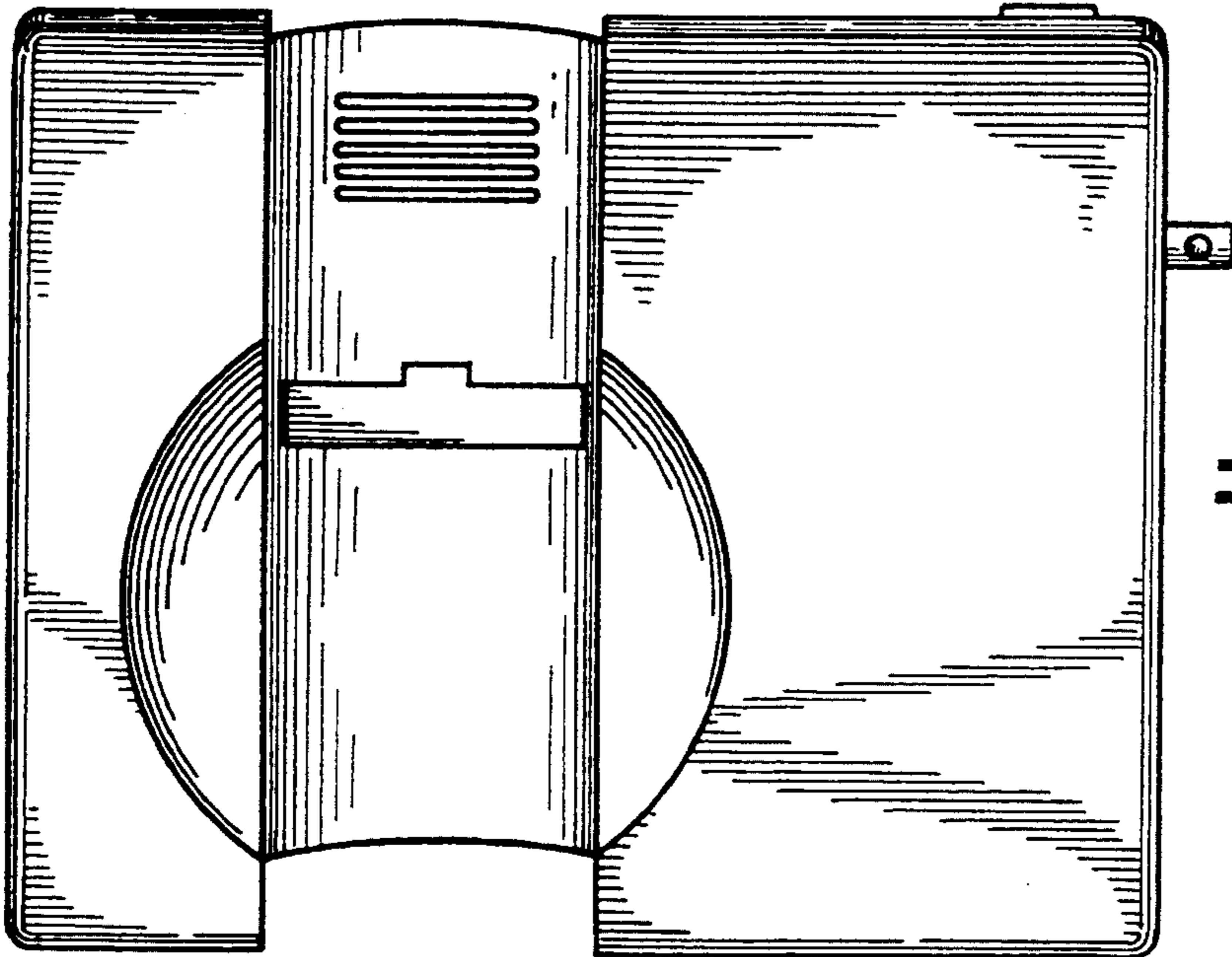


Fig 37

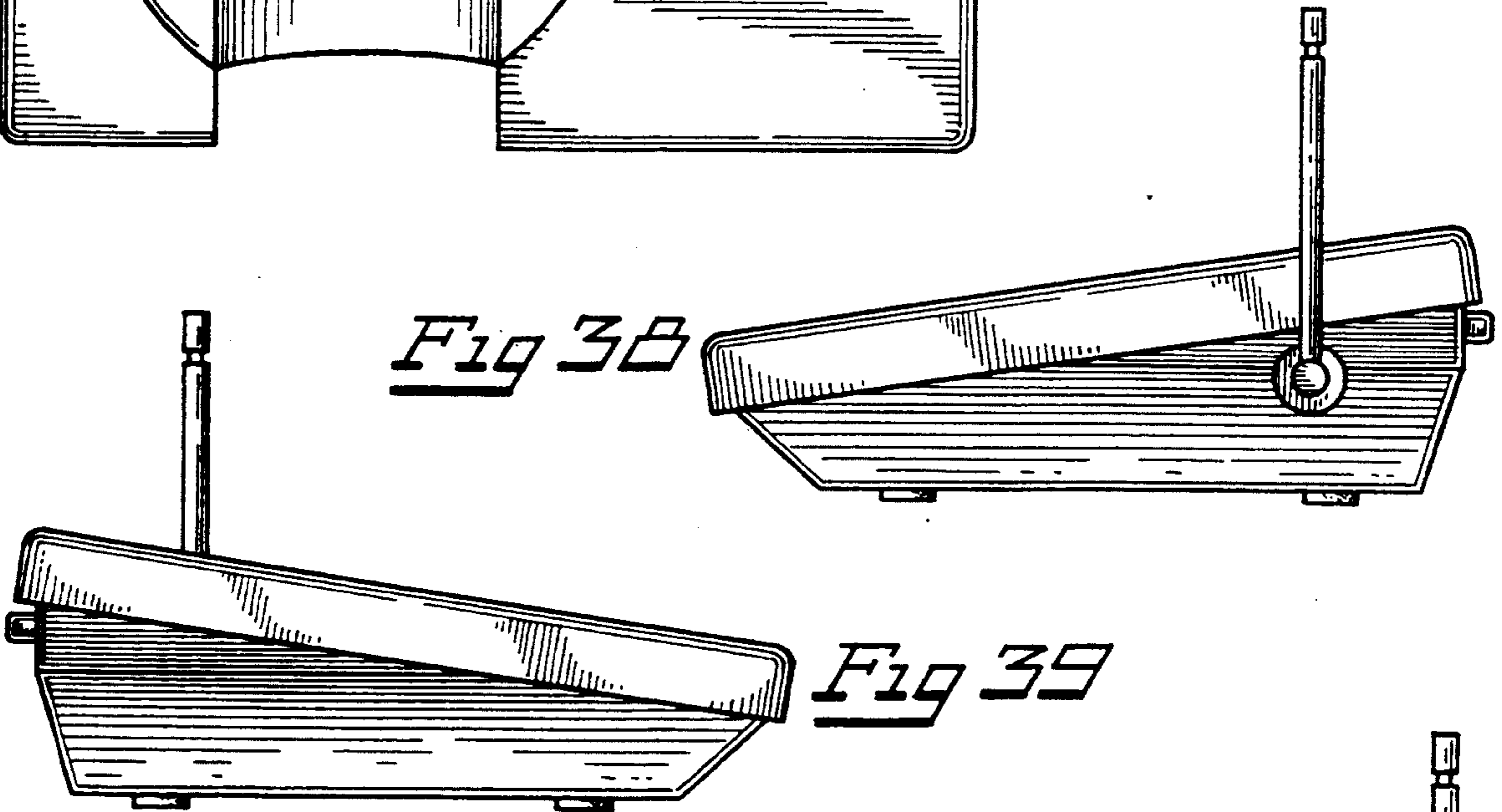


Fig 38

Fig 39

Fig 40

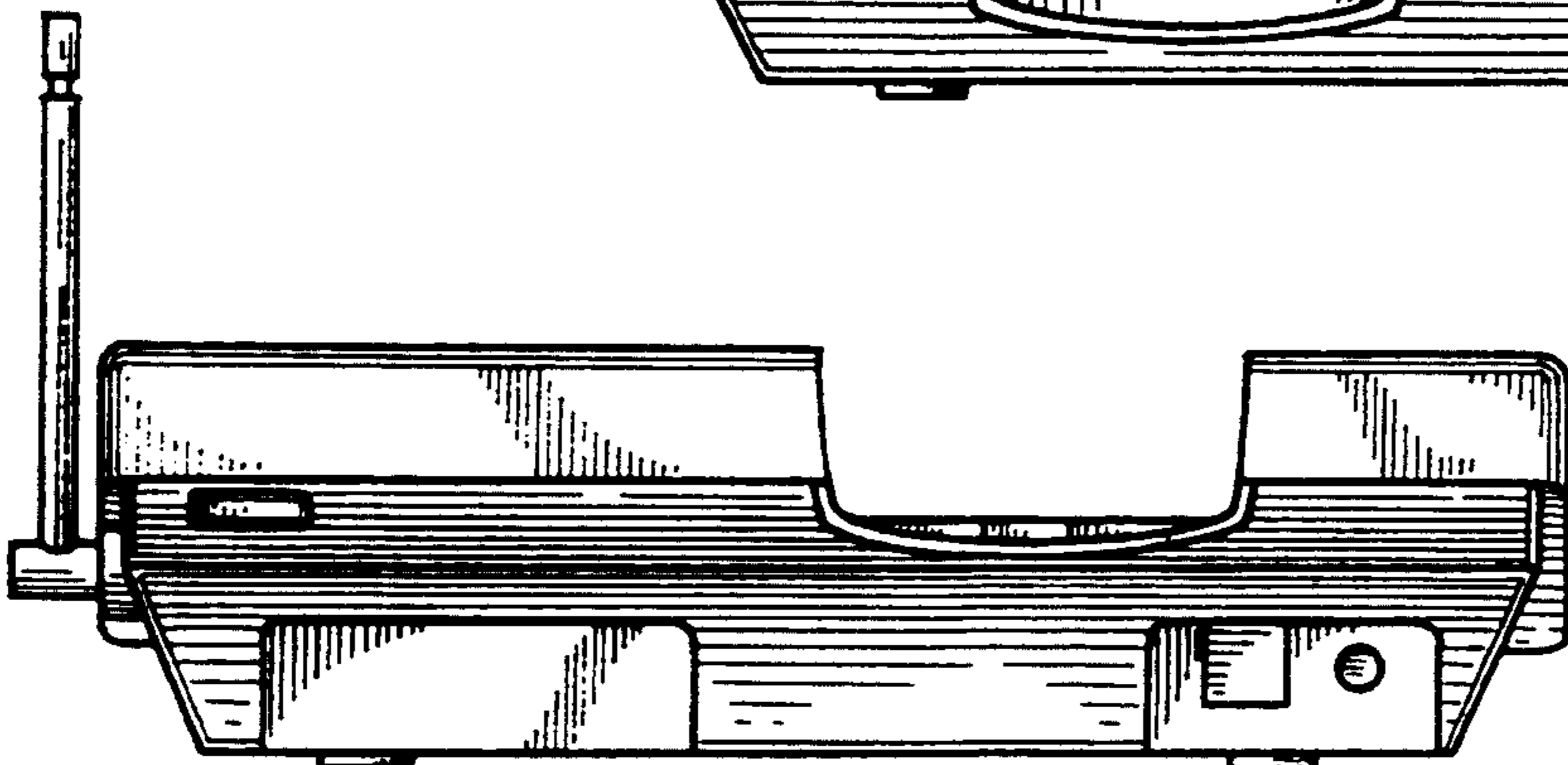
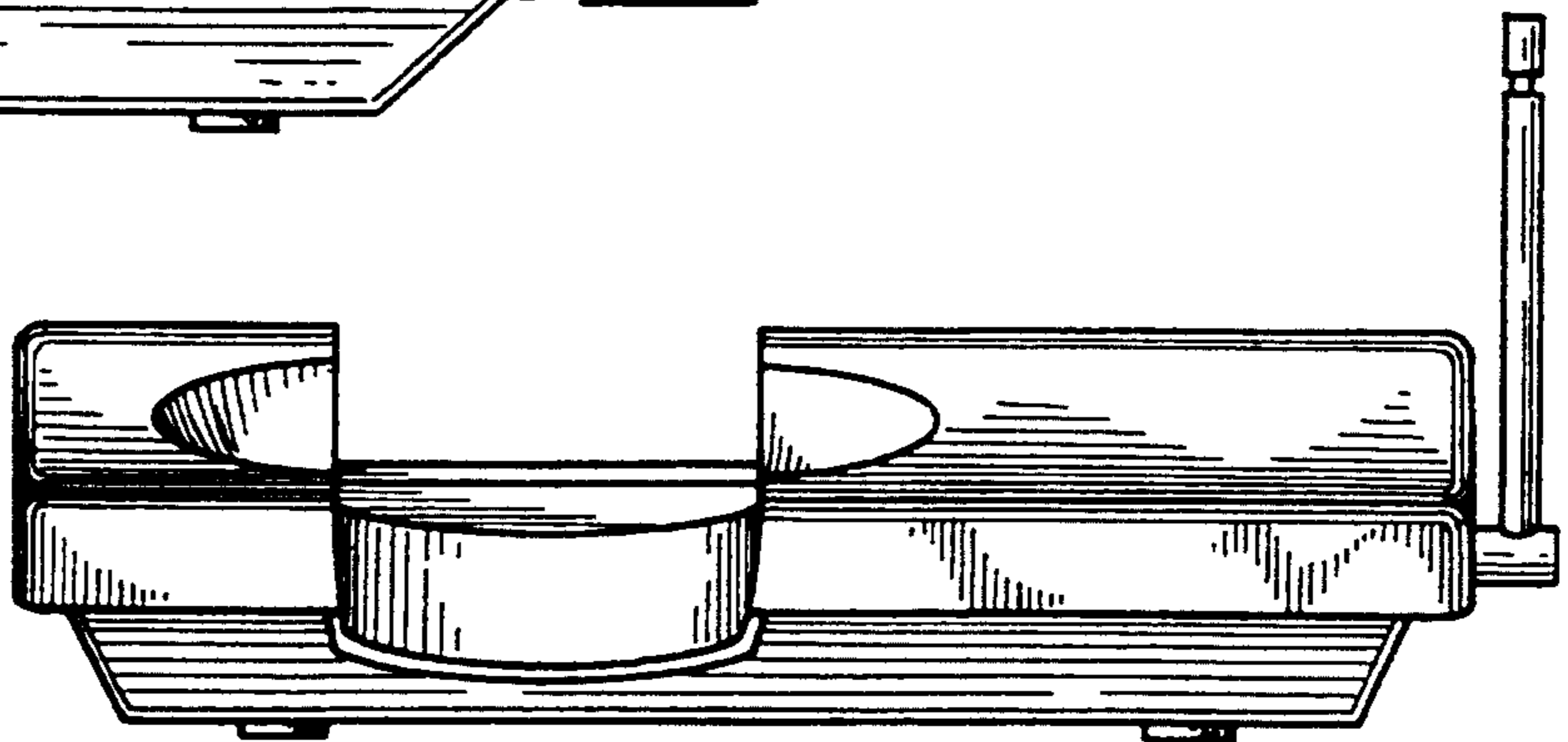


Fig 41

Fig 42

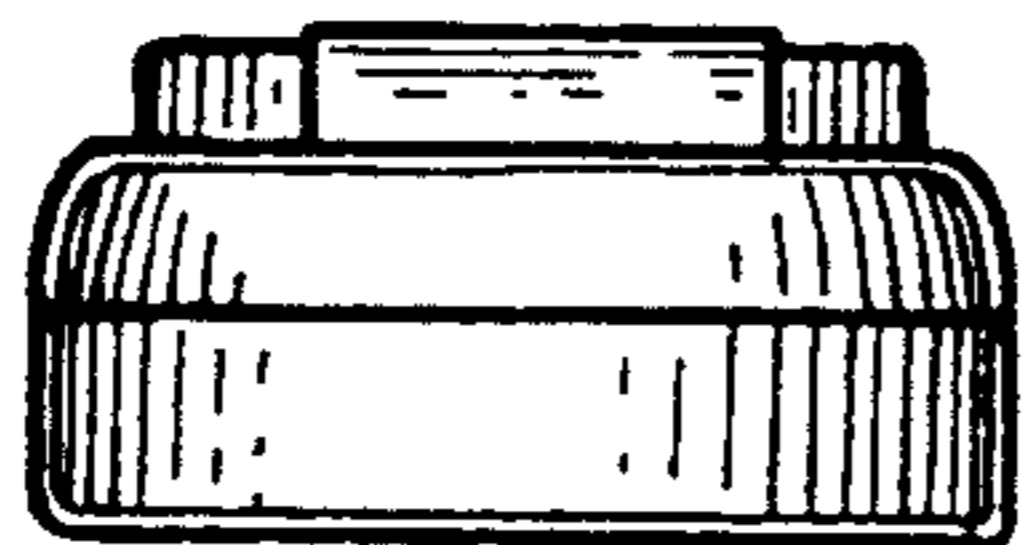


Fig 43

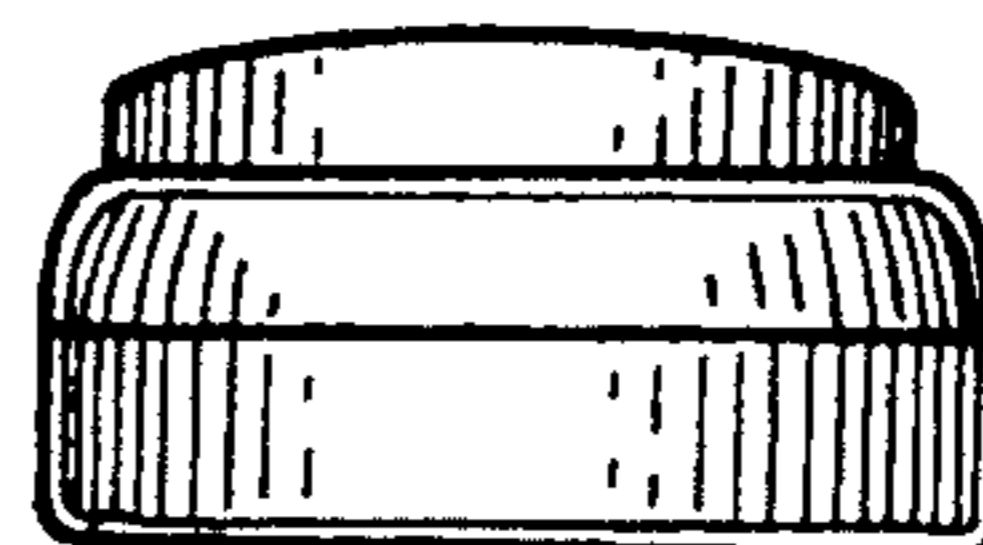


Fig 44

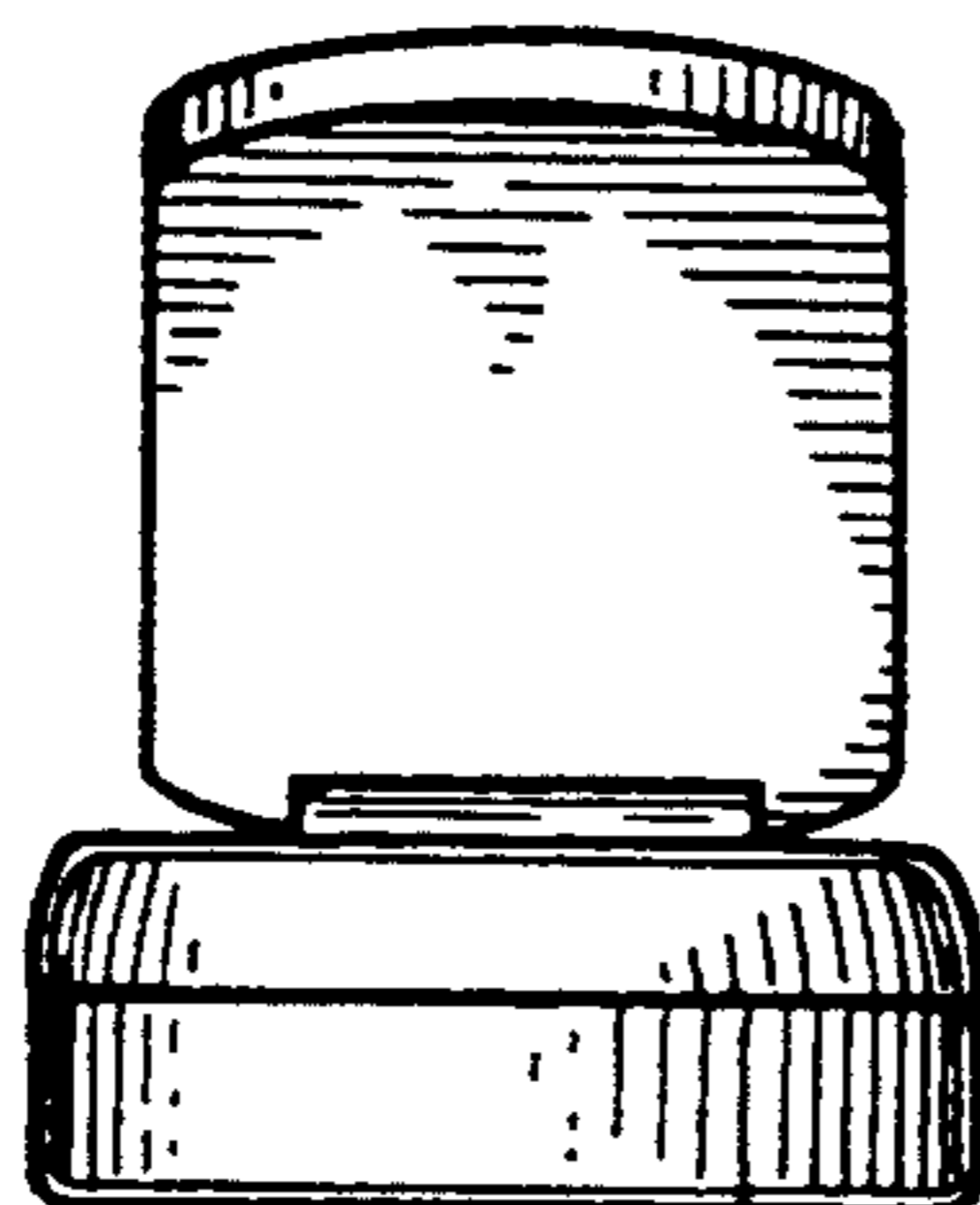


Fig 45

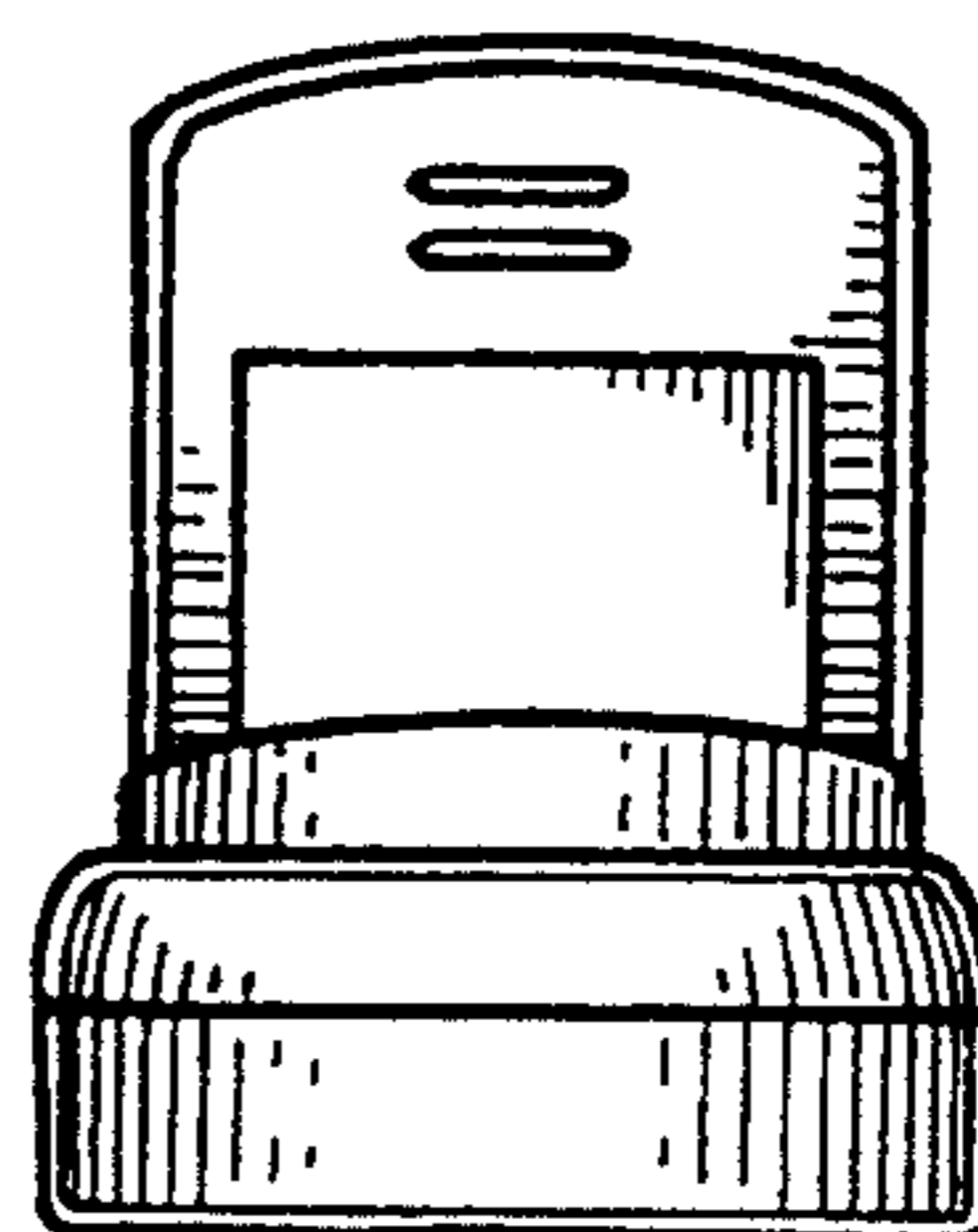


Fig 46

