



US00D350539S

United States Patent [19]

[11] Patent Number: **Des. 350,539**

Yatabe et al.

[45] Date of Patent: **** Sep. 13, 1994**

[54] **AUTOMATIC TELEPHONE MESSAGE RECORDER**

D. 320,599	10/1991	Ocepek	D14/141
D. 328,069	7/1992	Langton	D14/137 X
D. 338,885	8/1993	Solomita et al.	D14/141
4,596,901	6/1986	Hanscom et al.	379/76

[75] Inventors: **Takashi Yatabe, Higashimurayama; Isamu Yoshitake, Musashino, both of Japan**

OTHER PUBLICATIONS

TEPRA TR6G Ad, dated May 1992.

[73] Assignee: **Casio Computer Co., Ltd., Tokyo, Japan**

Primary Examiner—Alan P. Douglas

Assistant Examiner—Jeffrey Asch

[**] Term: **14 Years**

Attorney, Agent, or Firm—Frishauf, Holtz, Goodman & Woodward

[21] Appl. No.: **7,890**

[57] CLAIM

[22] Filed: **May 4, 1993**

The ornamental design for an automatic telephone message recorder, as shown and described.

[52] U.S. Cl. **D14/141**

[58] Field of Search 379/76, 77, 428, 419, 379/420, 67, 70, 440; D14/141, 140, 137, 138, 142, 107, 149-151, 240, 156, 241

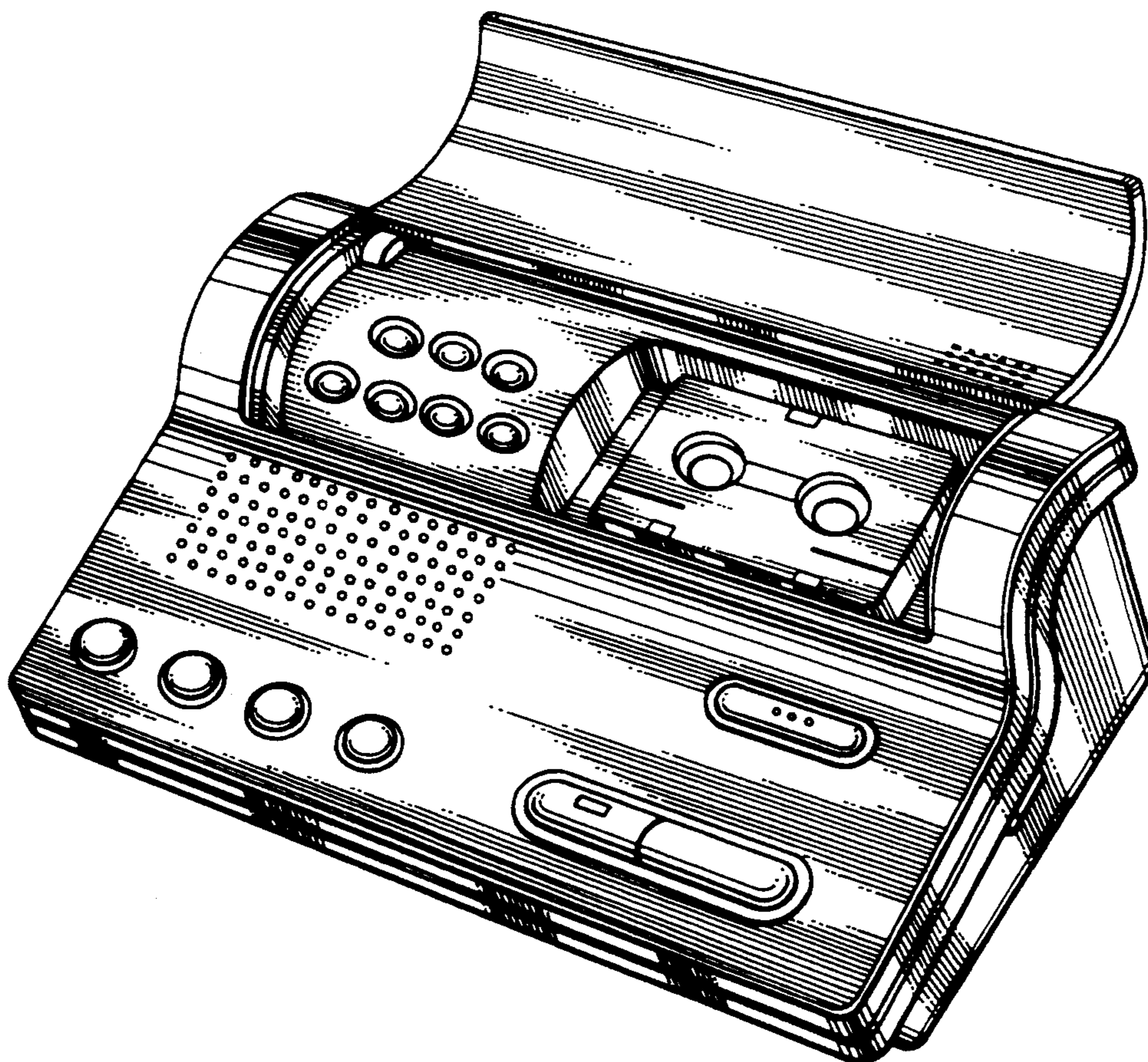
DESCRIPTION

[56] References Cited

U.S. PATENT DOCUMENTS

D. 272,341	1/1984	Martinez	D14/141
D. 299,451	1/1989	Ikeda	D14/107 X
D. 305,121	12/1989	Pfeifer et al.	D14/240 X
D. 306,730	3/1990	Sugano et al.	D14/142 X
D. 311,184	10/1990	Appleby	D14/141
D. 316,262	4/1991	Kikutani	D14/141

FIG. 1 is a front elevation view of an automatic telephone message recorder showing our new design; FIG. 2 is a right side elevation view thereof; FIG. 3 is a left side elevation view thereof; FIG. 4 is a top plan view thereof; FIG. 5 is a bottom plan view thereof; FIG. 6 is a rear elevation view thereof; FIG. 7 is a perspective view thereof; and, FIG. 8 is a perspective view thereof with the upside cover opened.



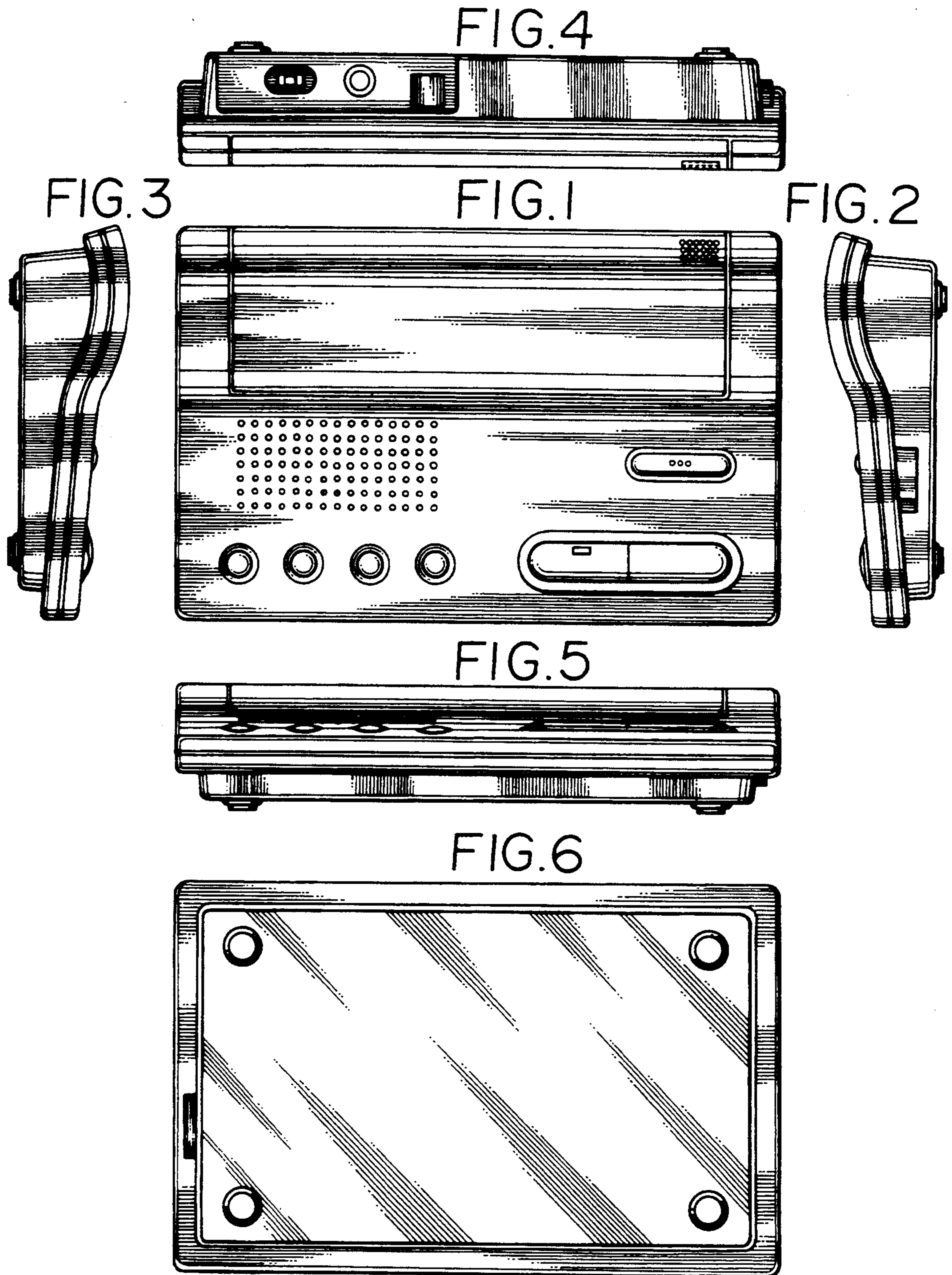


FIG. 8

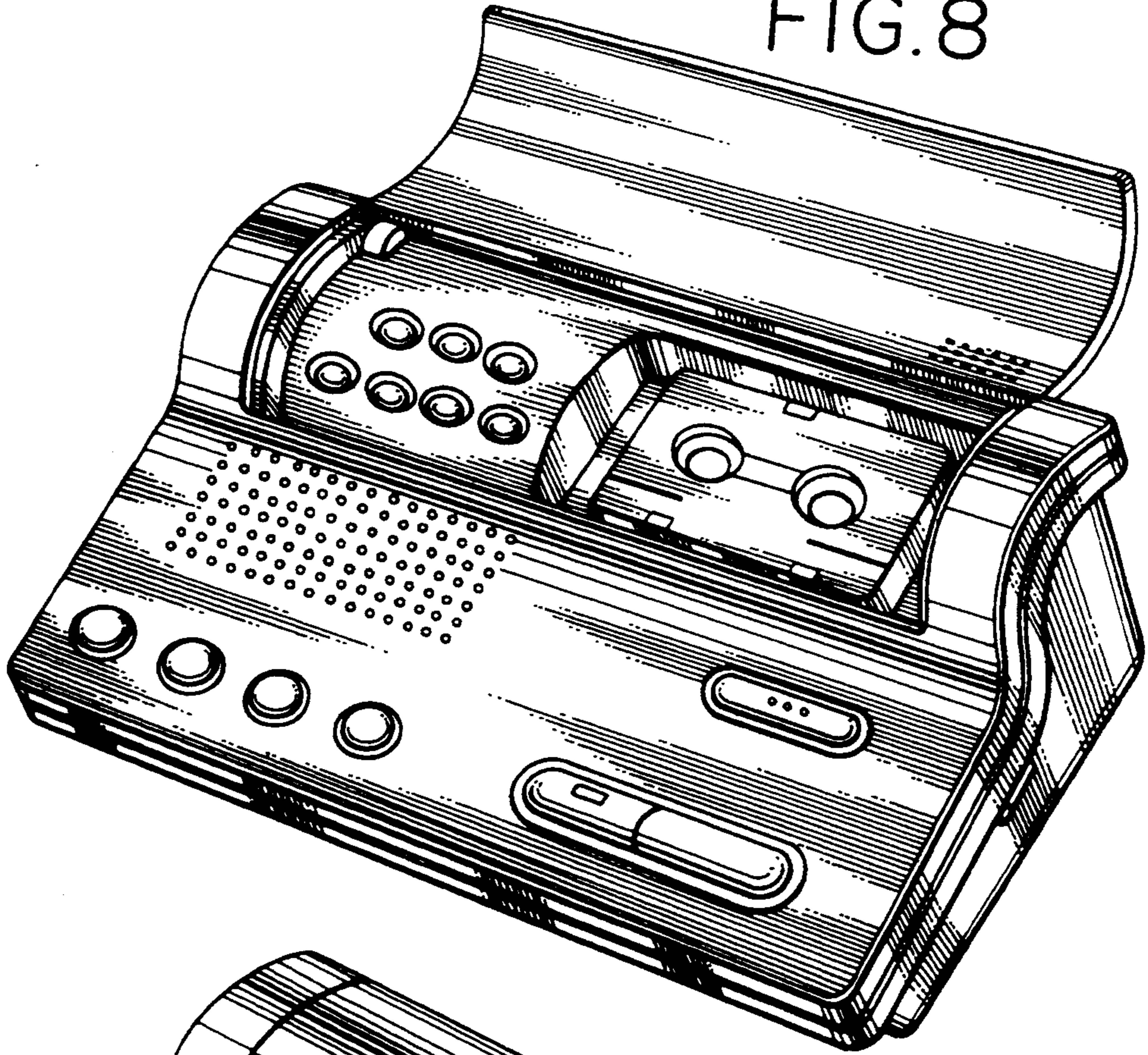


FIG. 7

