



US00D350536S

# United States Patent [19]

[11] Patent Number: **Des. 350,536**

McKnight et al.

[45] Date of Patent: **\*\* Sep. 13, 1994**

[54] **UNDER COMPUTER MONITOR POWER CONTROLLING BASE**

[56] **References Cited**

### U.S. PATENT DOCUMENTS

[75] Inventors: **William J. McKnight; Lonnie C. Pogue**, both of San Diego, Calif.

|            |         |                |       |         |
|------------|---------|----------------|-------|---------|
| D. 260,515 | 9/1981  | Welch et al.   | ..... | D14/114 |
| D. 303,959 | 10/1989 | Suyama et al.  | ..... | D14/114 |
| D. 309,728 | 8/1990  | Nuttall et al. | ..... | D14/100 |
| D. 313,795 | 1/1991  | Bina           | ..... | D14/100 |
| D. 325,194 | 4/1992  | Kline et al.   | ..... | D14/100 |

[73] Assignee: **Proxima Corporation**, San Diego, Calif.

*Primary Examiner*—Wallace R. Burke  
*Assistant Examiner*—M. H. Tung  
*Attorney, Agent, or Firm*—Bernard L. Kleinke; Jerry R. Potts

[\*\*] Term: **14 Years**

### [57] CLAIM

[21] Appl. No.: **8,269**

The ornamental design for an under computer monitor power controlling base, as shown and described.

[22] Filed: **May 12, 1993**

### DESCRIPTION

#### Related U.S. Application Data

[62] Division of Ser. No. 714,437, Jun. 13, 1991.

[52] U.S. Cl. .... **D14/114**

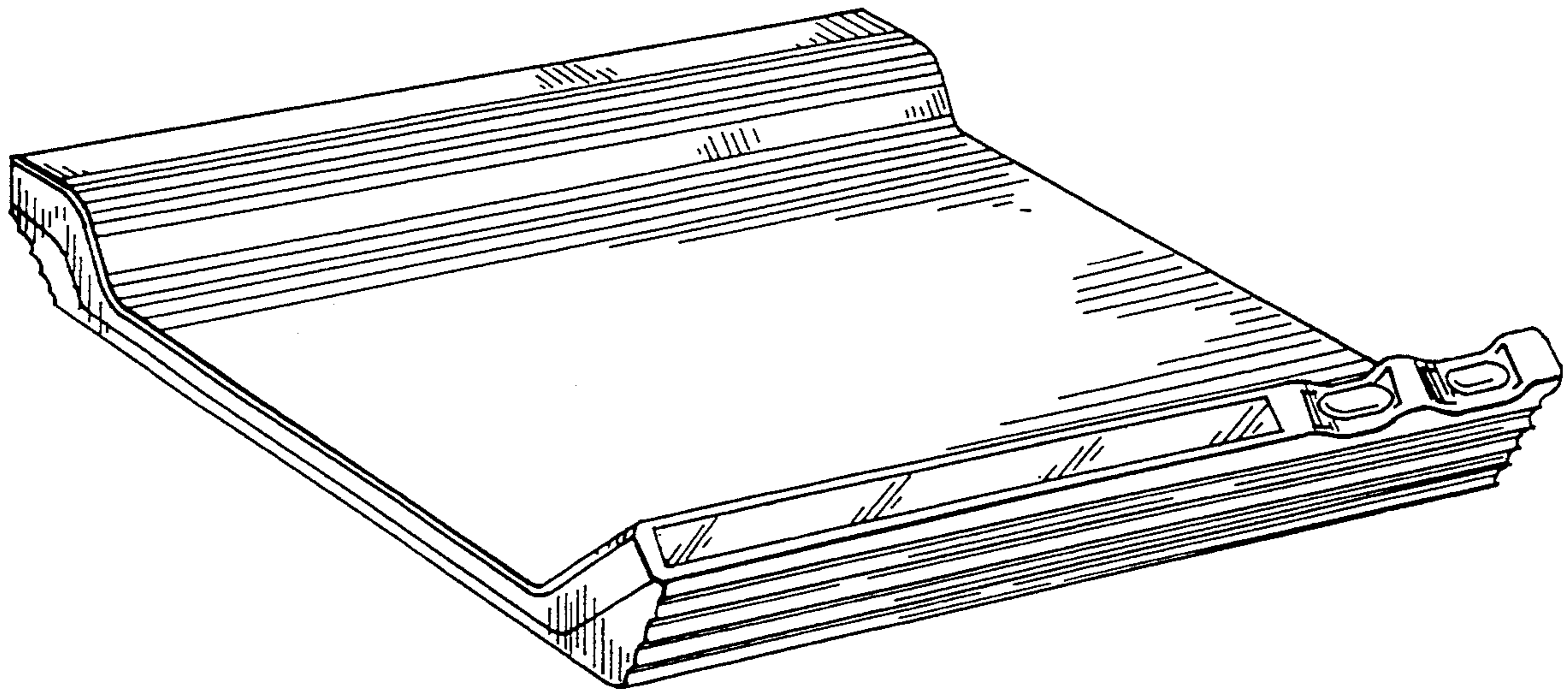
[58] Field of Search ..... 361/331-334, 361/380-381, 390-395; 200/5 R, 5 A, 6 R, 6 A; D14/100, 114, 102, 107; D13/184, 199

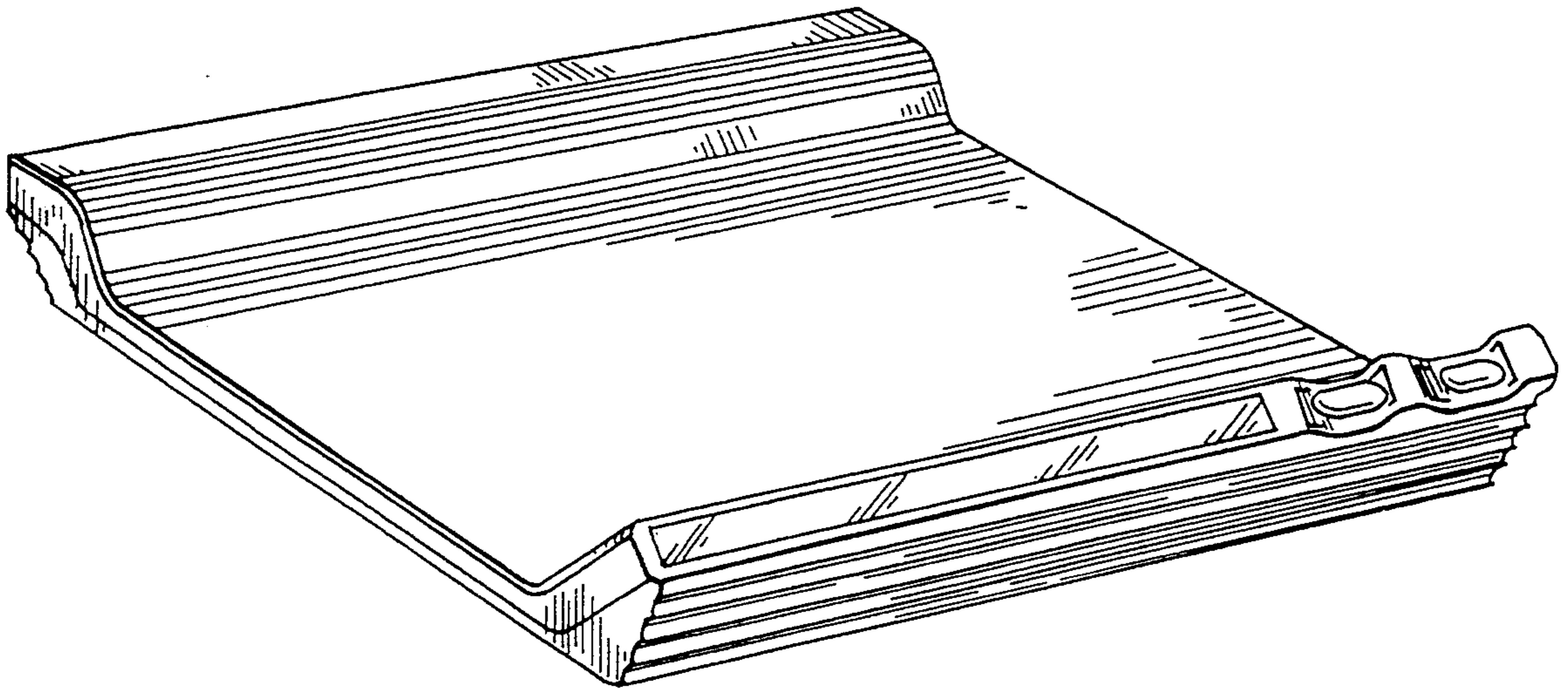
FIG. 1 is a top, front, right side perspective view of an under computer monitor controlling base showing our new design;

FIG. 2 is a bottom, rear, left side perspective view thereof;

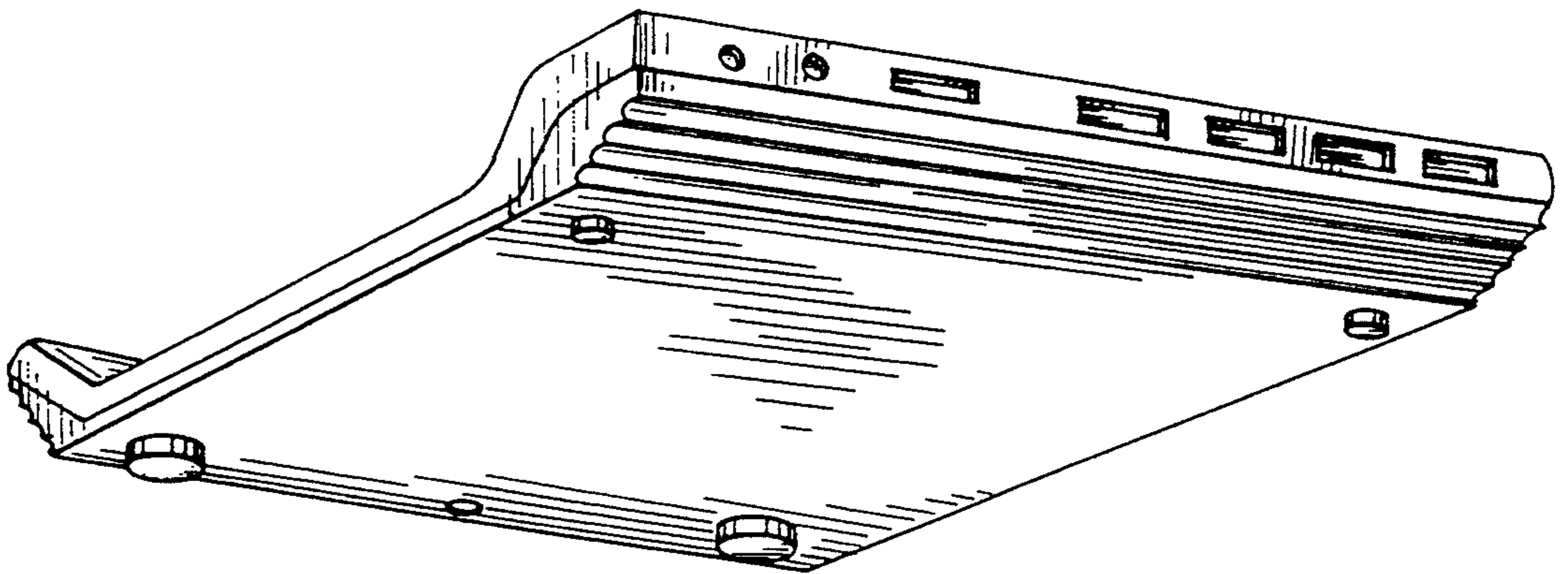
FIG. 3 is a top plan view thereof; and,

FIG. 4 is a right side elevational view thereof, the left side is a mirror image.



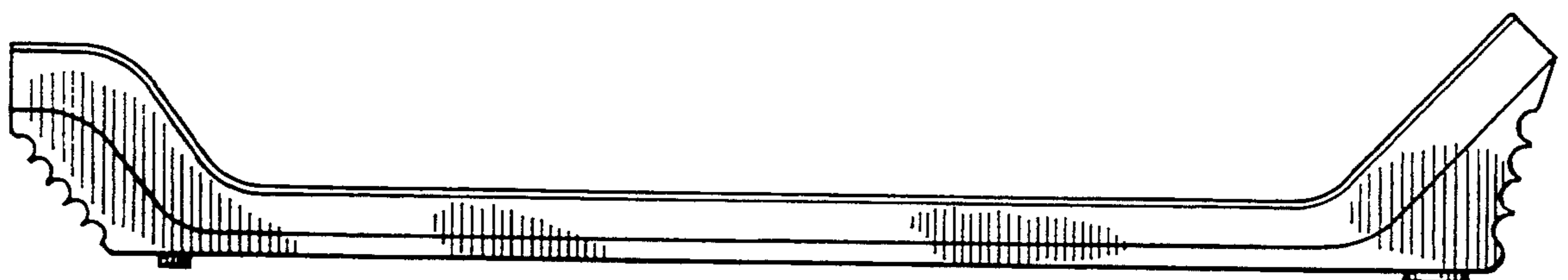
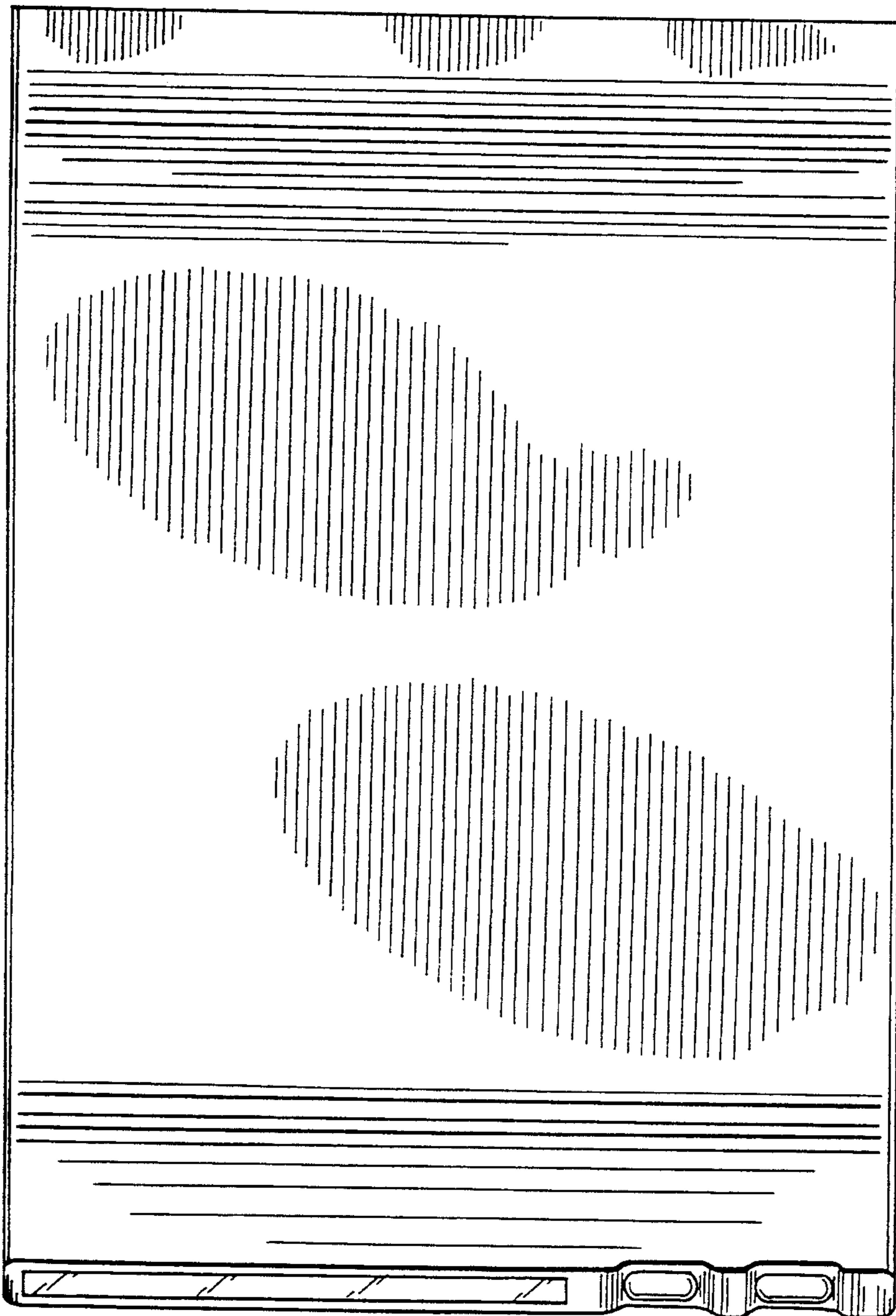


*Fig. 1*



*Fig. 2*

*Fig. 3*



*Fig. 4*