



US00D350530S

# United States Patent [19]

[11] Patent Number: **Des. 350,530**

Comerci et al.

[45] Date of Patent: **\*\* Sep. 13, 1994**

[54] COVER PLATE FOR AN ELECTRICAL  
OUTLET BOX

1340066 12/1973 United Kingdom ..... 174/66  
1585760 3/1981 United Kingdom ..... 174/66

[75] Inventors: **Joseph D. Comerci, Elmhurst; Robert DeRoss, Naperville; Dennis Stanhibel, Justice, all of Ill.**

### OTHER PUBLICATIONS

Faceplate 65B on p. 4 of AT&T Publication 700 289 ©1986.

[73] Assignee: **Molex Incorporated, Lisle, Ill.**

Lutron light switches and faceplate in Lutron publication.

[\*\*] Term: **14 Years**

Decora switch and coverplate on p. 126 of Interstate Supply Co. catalog ©1989.

[21] Appl. No.: **1,154**

Smart Switches and coverplates on p. 48 of AMP Jan. 1992 publication, *Smart House*.

[22] Filed: **Nov. 4, 1992**

Legrand 1986 Catalog, p. 163.

[52] U.S. Cl. .... **D13/177**

[58] Field of Search ..... D8/353; 174/66, 67;  
220/3.8, 241, 242, 278; 200/308; D13/156, 158,  
171, 177

*Primary Examiner*—Wallace R. Burke

*Assistant Examiner*—Joel Sincavage

*Attorney, Agent, or Firm*—Stephen Z. Weiss

### [56] References Cited

### [57] CLAIM

#### U.S. PATENT DOCUMENTS

The ornamental design for a cover plate for an electrical outlet box, as shown.

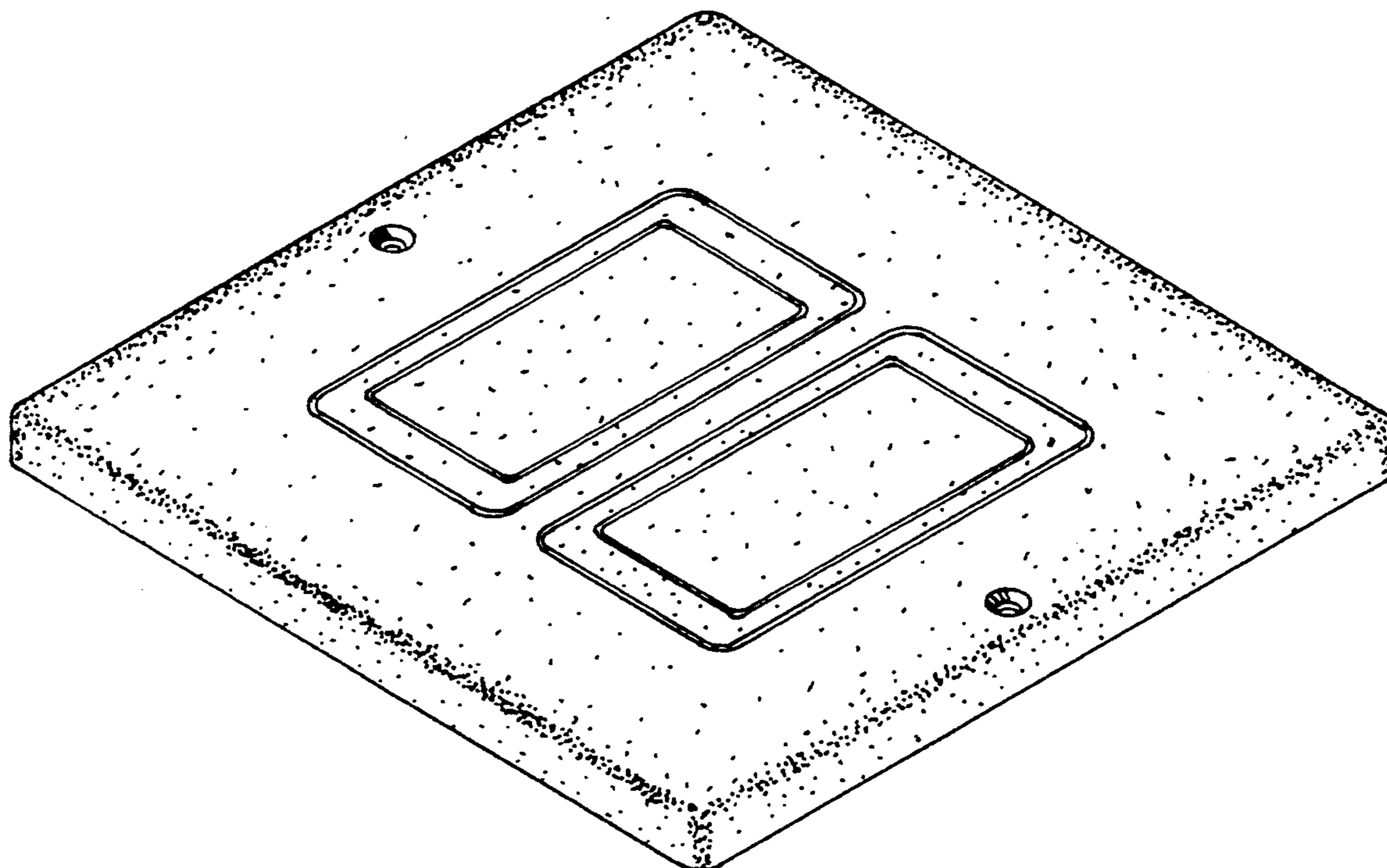
- D. 327,212 6/1992 Hubben et al. .... D8/353
- D. 329,422 9/1992 Fujiyoshi ..... D13/137
- D. 336,419 6/1993 Leggett ..... D8/353 X
- D. 336,744 6/1993 Kahn et al. .... D13/158 X
- 2,630,477 3/1953 Rypinski ..... 220/421 X
- 3,438,534 4/1969 Zerwes ..... 220/241
- 4,833,277 5/1989 Jacoby, Jr. et al. .... 174/66
- 4,835,343 5/1989 Graef et al. .... 174/66

### DESCRIPTION

FIG. 1 is a perspective view of the cover plate for an electrical outlet box embodying our new design; FIG. 2 is a front elevation view thereof; FIG. 3 is a left side elevation view thereof; FIG. 4 is a rear elevation view thereof; FIG. 5 is a top plan view; and, FIG. 6 is a cross-sectional view thereof taken along line 6—6 of FIG. 2.

#### FOREIGN PATENT DOCUMENTS

- 1462072 11/1966 France ..... 174/66



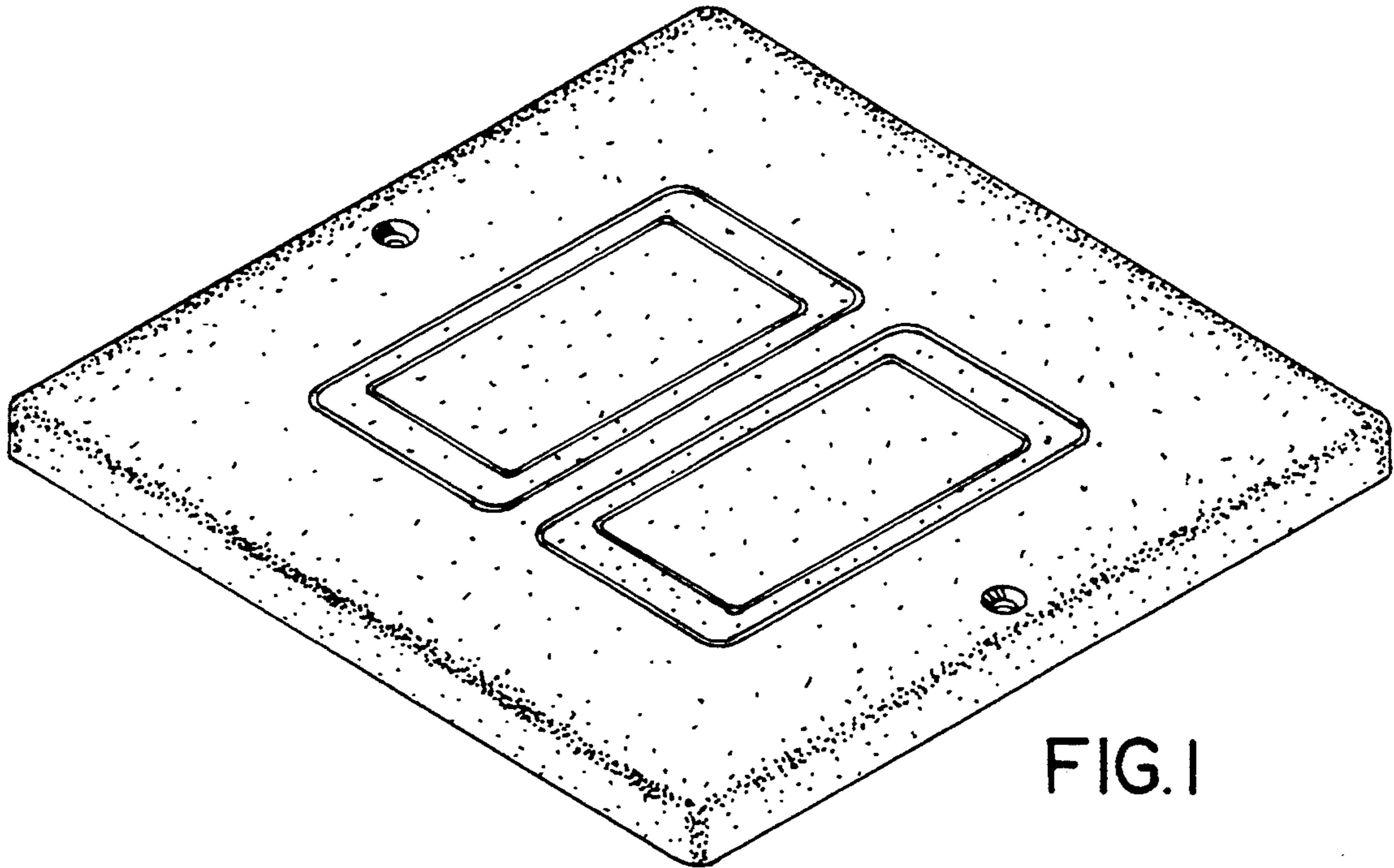


FIG. 1

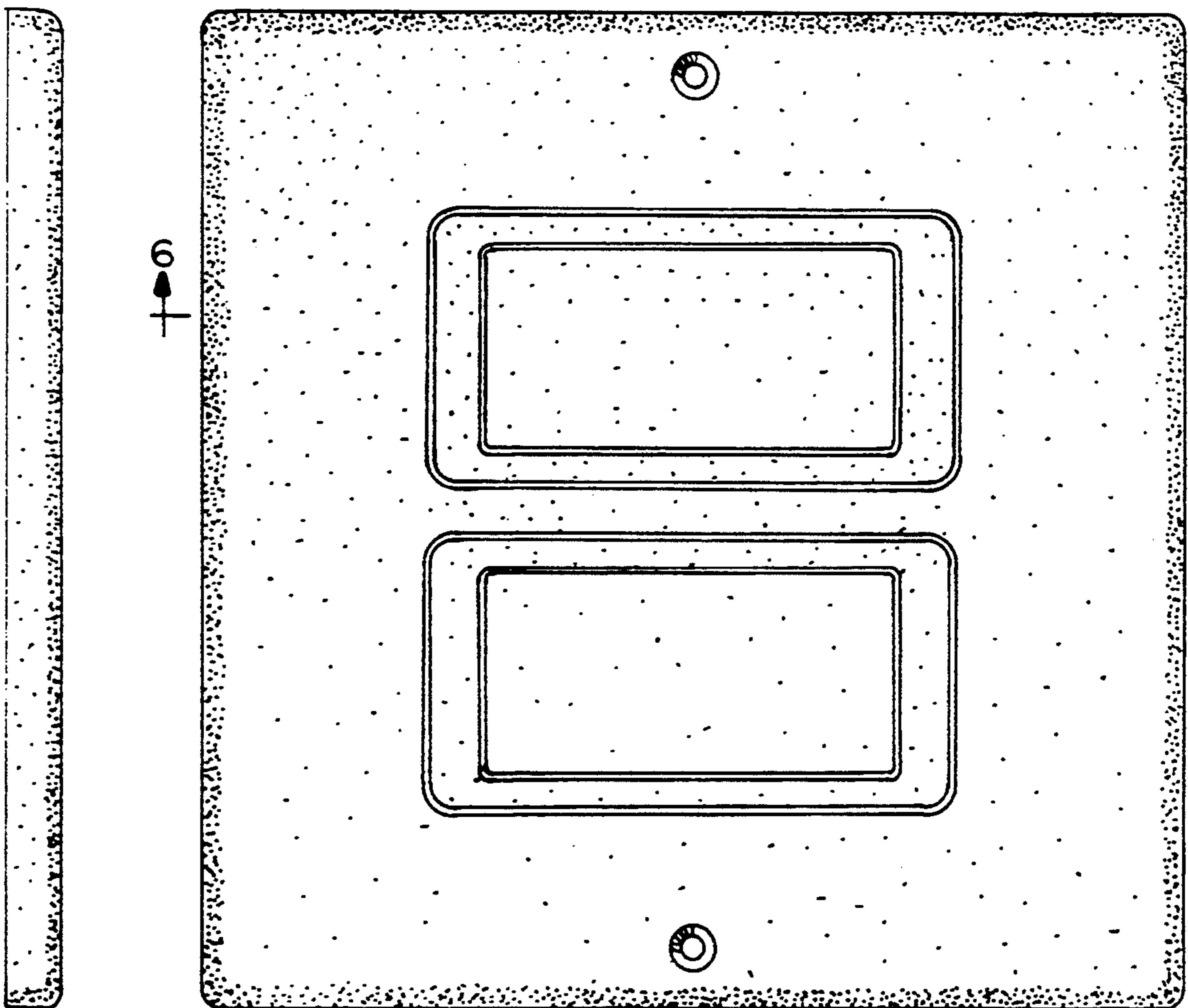


FIG. 2



FIG. 3



FIG.6



FIG.5

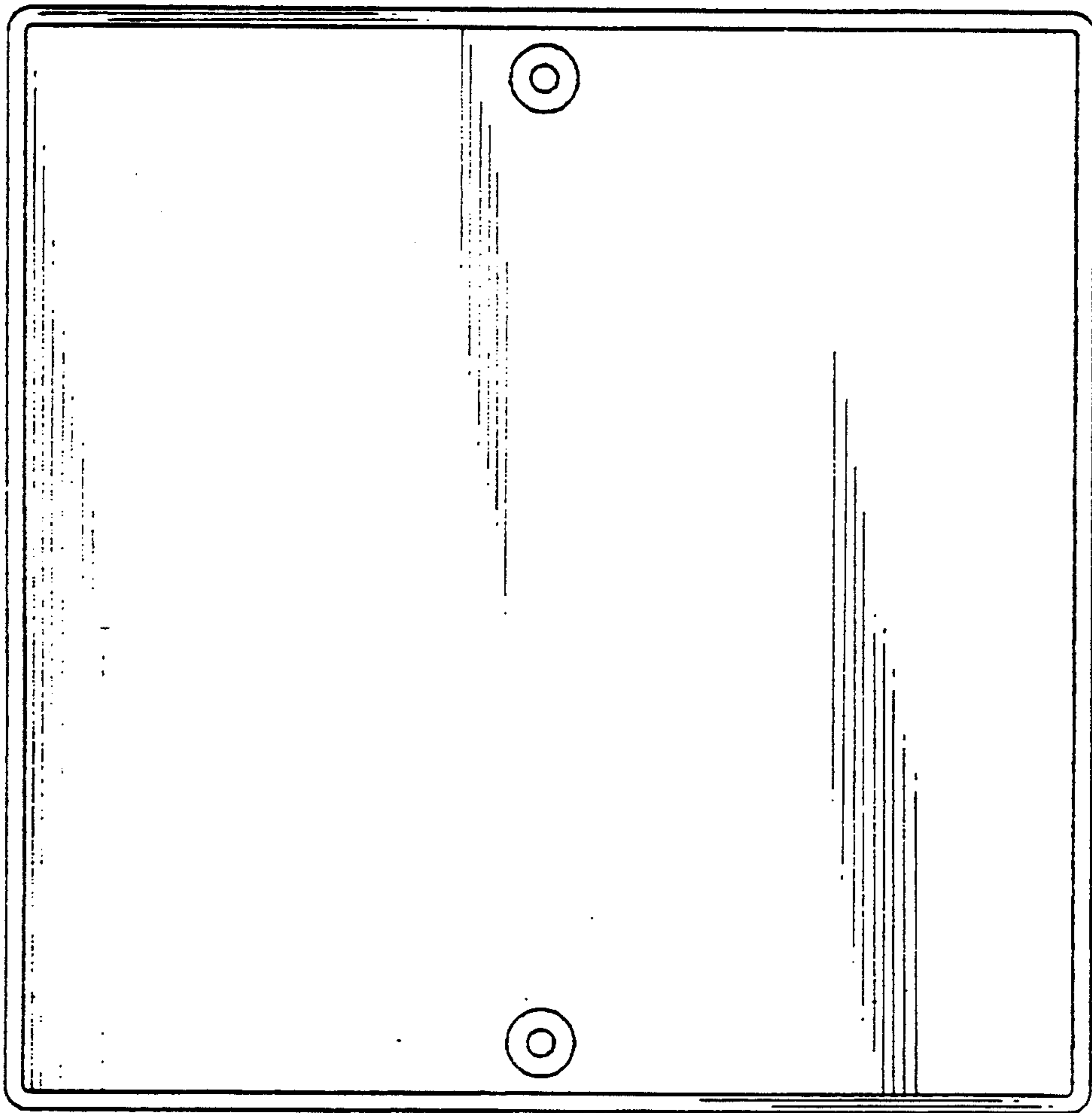


FIG.4