



US00D350529S

United States Patent [19]

[11] Patent Number: Des. 350,529

Hunziker

[45] Date of Patent: ** Sep. 13, 1994

[54] POWER CONVERTER CASING

[75] Inventor: **Hansjuerg Hunziker**, Embrach, Switzerland

[73] Assignee: **Melcher AG**, Uster, Switzerland

[**] Term: **14 Years**

[21] Appl. No.: **6,910**

[22] Filed: **Apr. 8, 1993**

[30] Foreign Application Priority Data

Oct. 15, 1992 [XH] Hague DM/024145
 [52] U.S. Cl. **D13/110**
 [58] Field of Search 363/15, 141, 144;
 361/679, 688, 690, 707, 709, 728; D13/110, 123;
 D14/107, 114

[56] References Cited

U.S. PATENT DOCUMENTS

D. 202,349 9/1965 Bisnett et al. D13/110
 D. 215,604 10/1969 Shmural et al. D13/110
 3,348,148 10/1967 Parsons et al. 361/688 X
 4,716,499 12/1987 Bhargava 361/690 X
 4,916,575 4/1990 Van Asten 361/707 X
 4,953,058 8/1990 Harris 361/690

OTHER PUBLICATIONS

Vicor power supplies on p. 6 of EDN Nov. 7, 1991.
Kepeco power supplies on p. 175 of EDN Nov. 21, 1991.

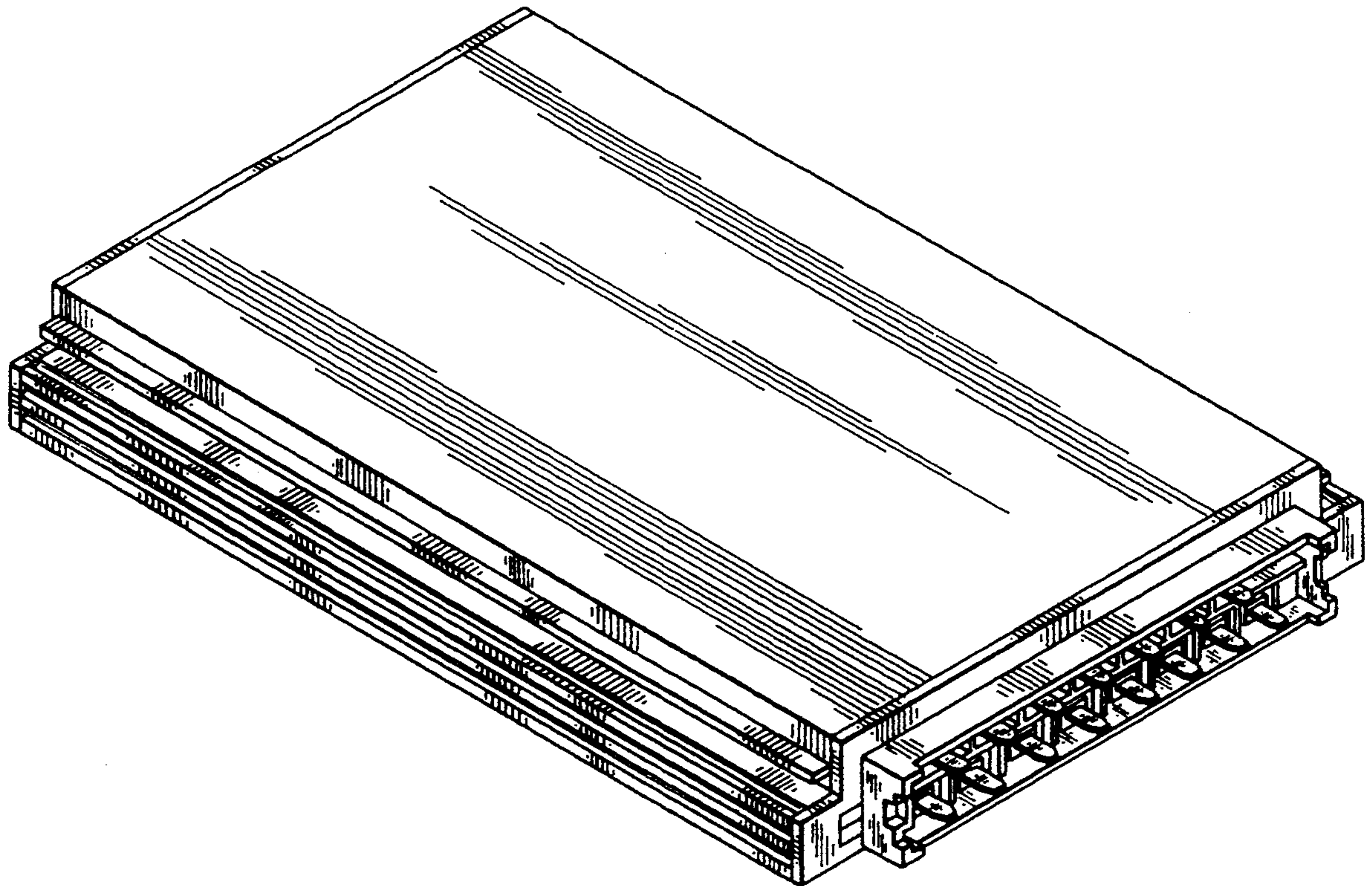
Primary Examiner—Wallace R. Burke
Assistant Examiner—Joel Sincavage
Attorney, Agent, or Firm—Johnson & Gibbs

[57] CLAIM

The ornamental design for the power converter casing, as shown and described.

DESCRIPTION

FIG. 1 is a perspective view of the power converter casing;
 FIG. 2 is a side elevational view taken from the right side thereof of the power converter casing;
 FIG. 3 is a front elevational view which is identical to the rear elevational view of the power converter casing;
 FIG. 4 is a side elevational view taken from the left side thereof of the power converter casing;
 FIG. 5 is a top plan view of the power converter casing; and,
 FIG. 6 is a bottom plan view of the power converter casing.



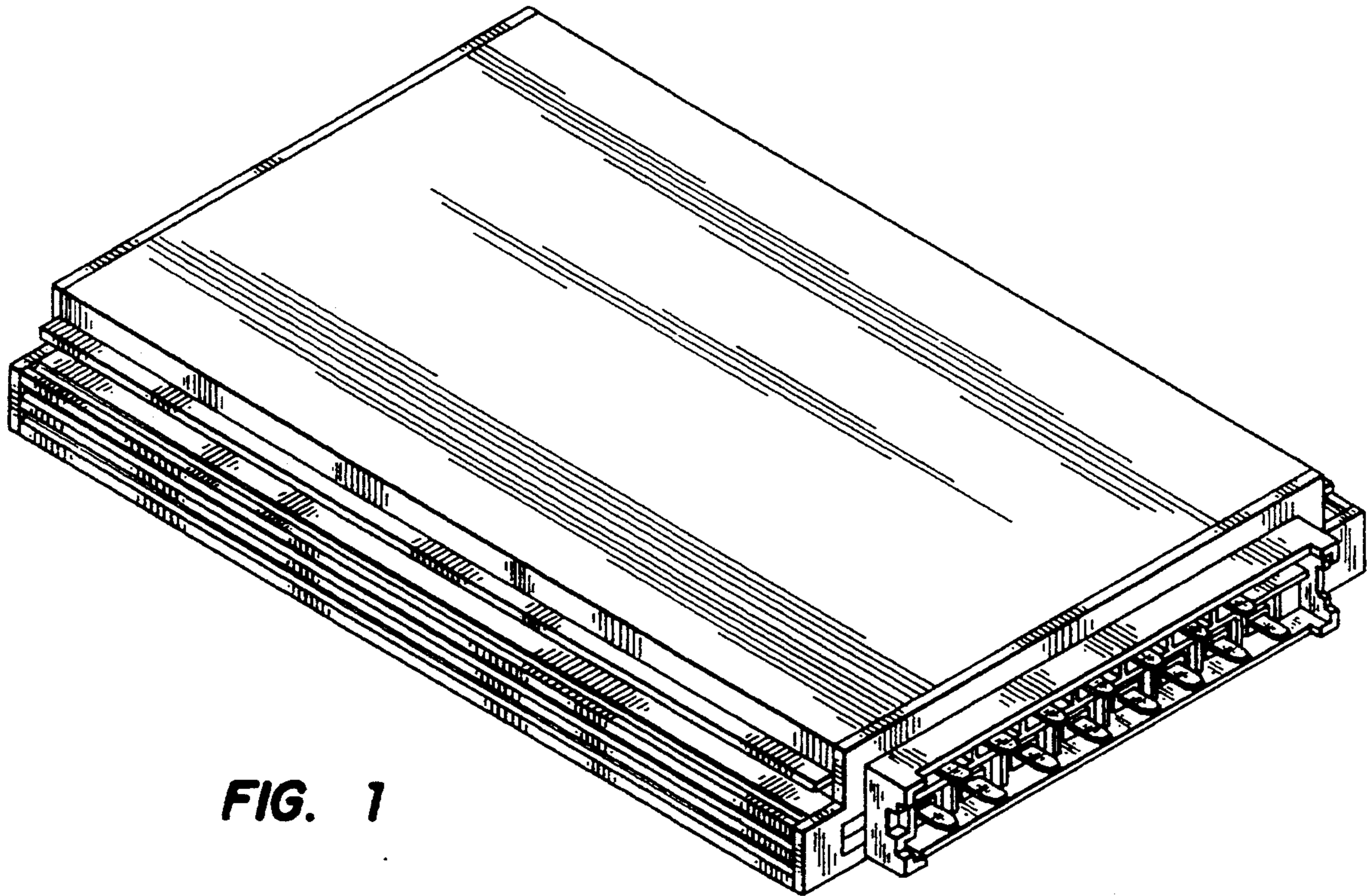


FIG. 1



FIG. 2

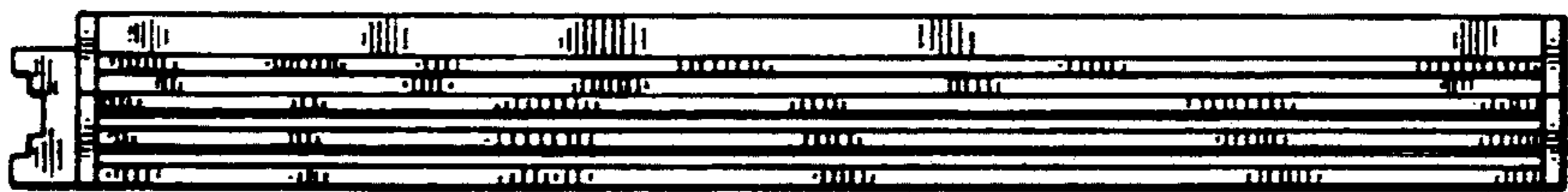


FIG. 3

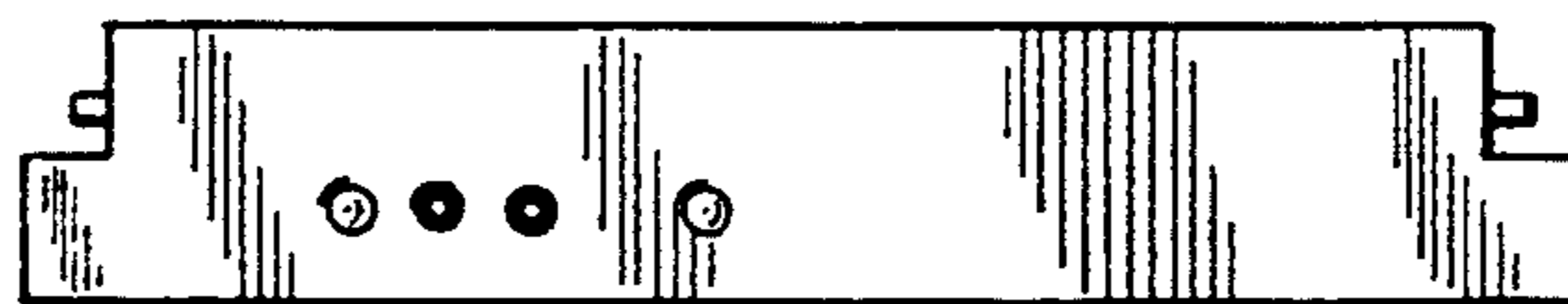


FIG. 4

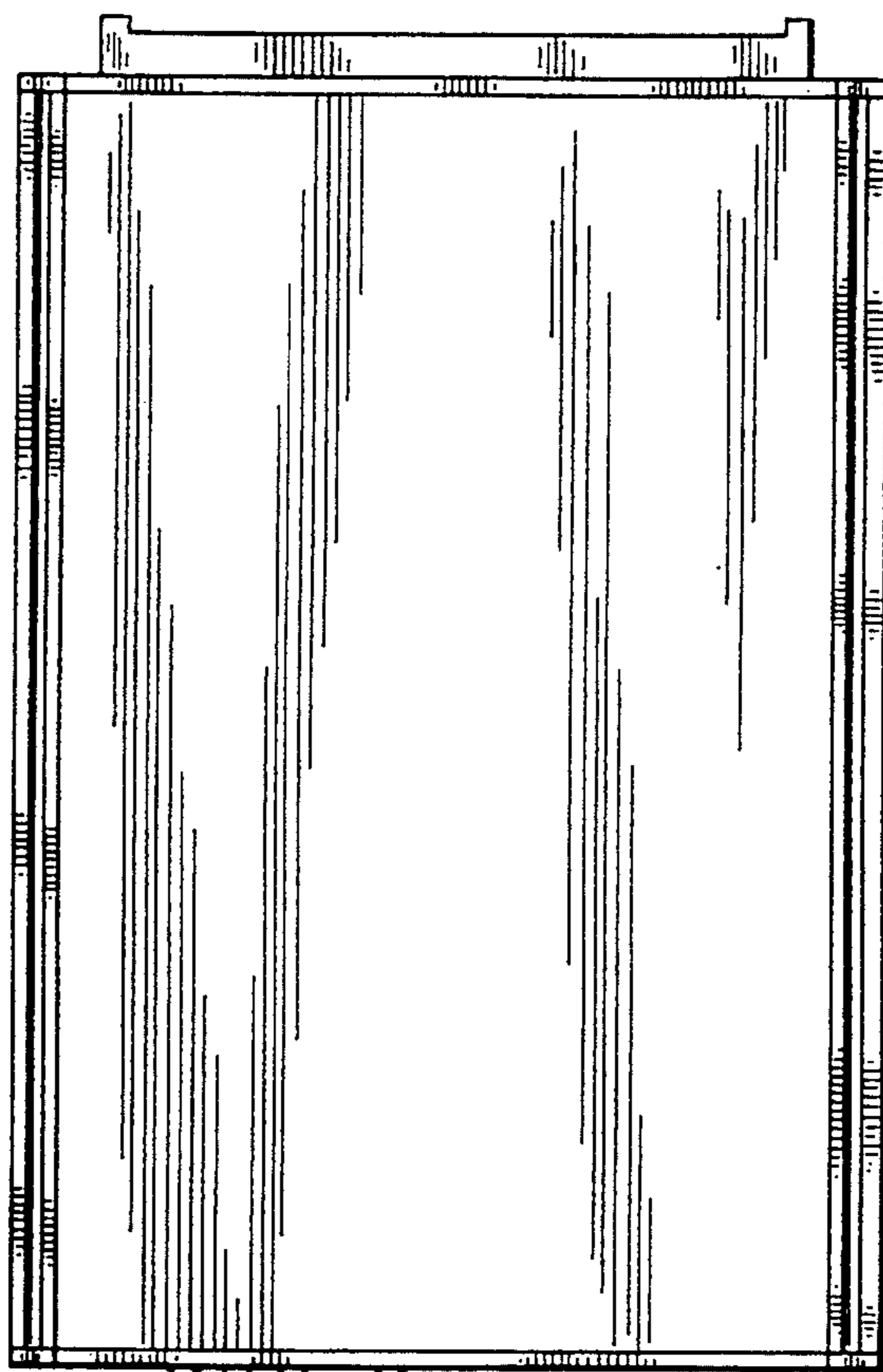


FIG. 5

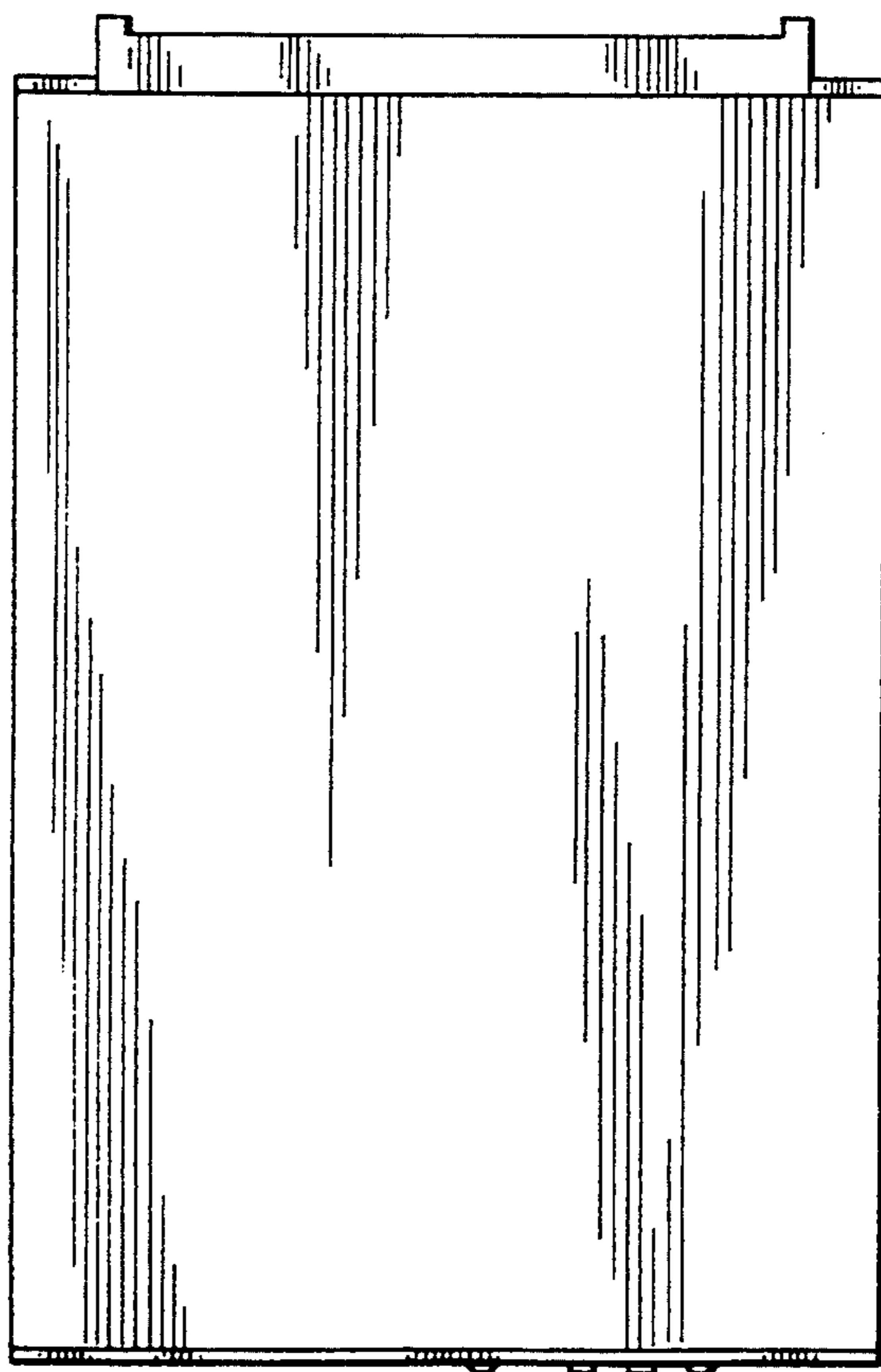


FIG. 6