



US00D350528S

United States Patent [19]

[11] Patent Number: **Des. 350,528**

Bent et al.

[45] Date of Patent: **** Sep. 13, 1994**

[54] **PAGER RECHARGER**

D. 320,991 10/1991 Nagai et al. D14/251

[75] Inventors: **Michael S. Bent**, Greenacres; **Eugene Fay**, Delray Beach; **Christopher R. Long**, Boca Raton; **Melvin Teitzman**, Lantana; **Paul D. Giles**, Boynton Beach, all of Fla.

OTHER PUBLICATIONS

Dec. 12, 1977 Japanese patent document 462,988. Jackson battery charger on p. 169 of *Hong Kong Enterprise*.

[73] Assignee: **Motorola, Inc.**, Schaumburg, Ill.

Primary Examiner—Wallace R. Burke
Assistant Examiner—Joel Sincavage
Attorney, Agent, or Firm—Keith A. Chanroo; Thomas G. Berry

[**] Term: **14 Years**

[21] Appl. No.: **877,012**

[57] **CLAIM**

The ornamental design for a pager recharger, as shown.

[22] Filed: **Apr. 30, 1992**

[52] U.S. Cl. **D13/108**

DESCRIPTION

[58] Field of Search 320/2, 3, 4; D13/107, D13/108, 144; D14/114, 217, 218, 240

FIG. 1 is a top plan view of a pager recharger showing our new design;

[56] **References Cited**

U.S. PATENT DOCUMENTS

- D. 229,499 12/1973 Krumin et al. D26/15 B
- D. 229,500 12/1973 Krumin et al. D26/15 B
- D. 237,893 12/1975 Wennerstrom D26/14 K
- D. 244,618 6/1977 Goldman et al. D26/14 K
- D. 281,064 10/1985 Scheid D13/5
- D. 311,919 11/1990 Klaczak et al. D14/138 X

FIG. 2 is a bottom plan view thereof;

FIG. 3 is a left side elevational view thereof;

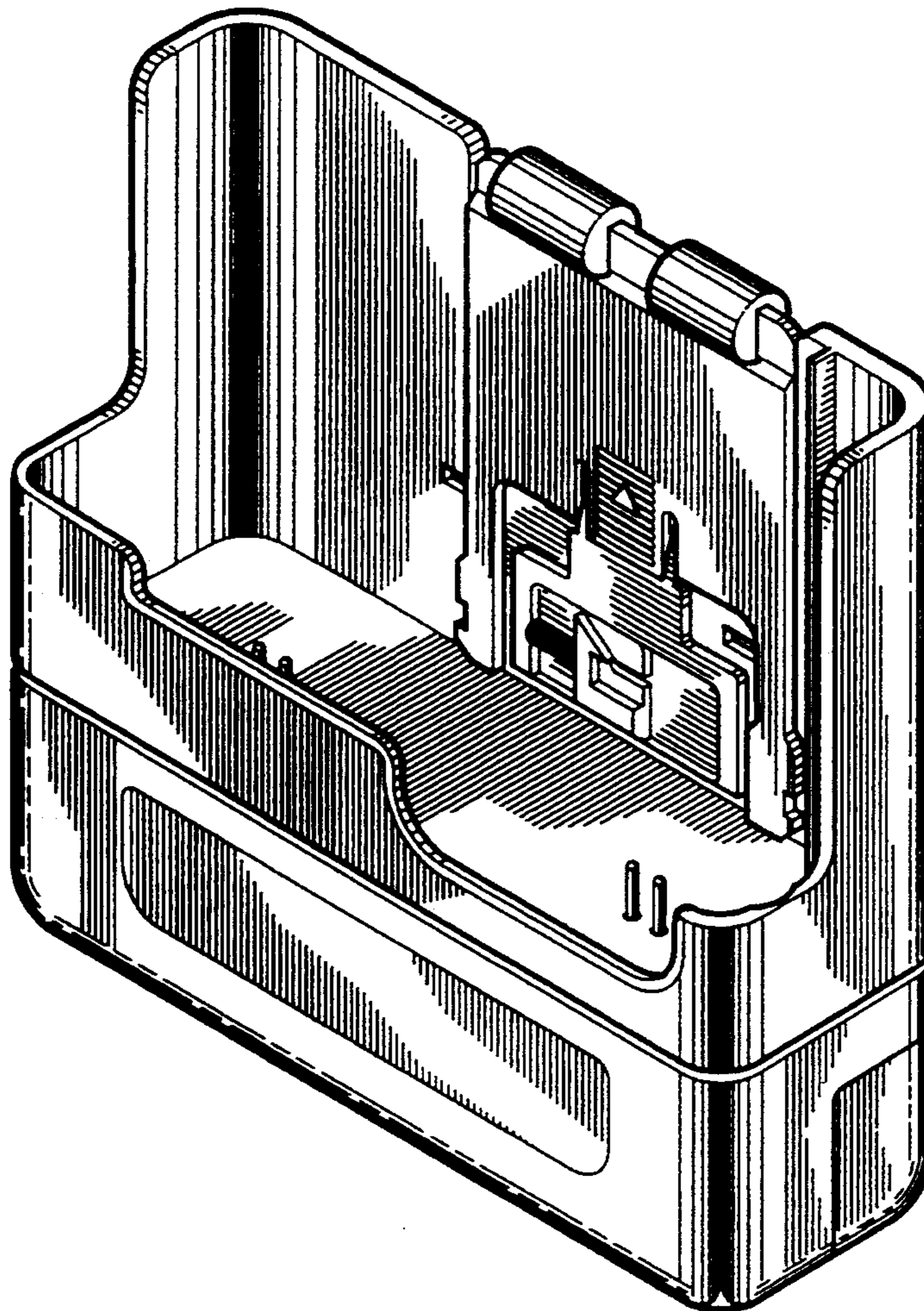
FIG. 4 is a right side elevational view thereof;

FIG. 5 is a front elevational view thereof;

FIG. 6 is a rear elevational view thereof;

FIG. 7 is a top front right side perspective view thereof; and,

FIG. 8 is a rear and lower left perspective view thereof.



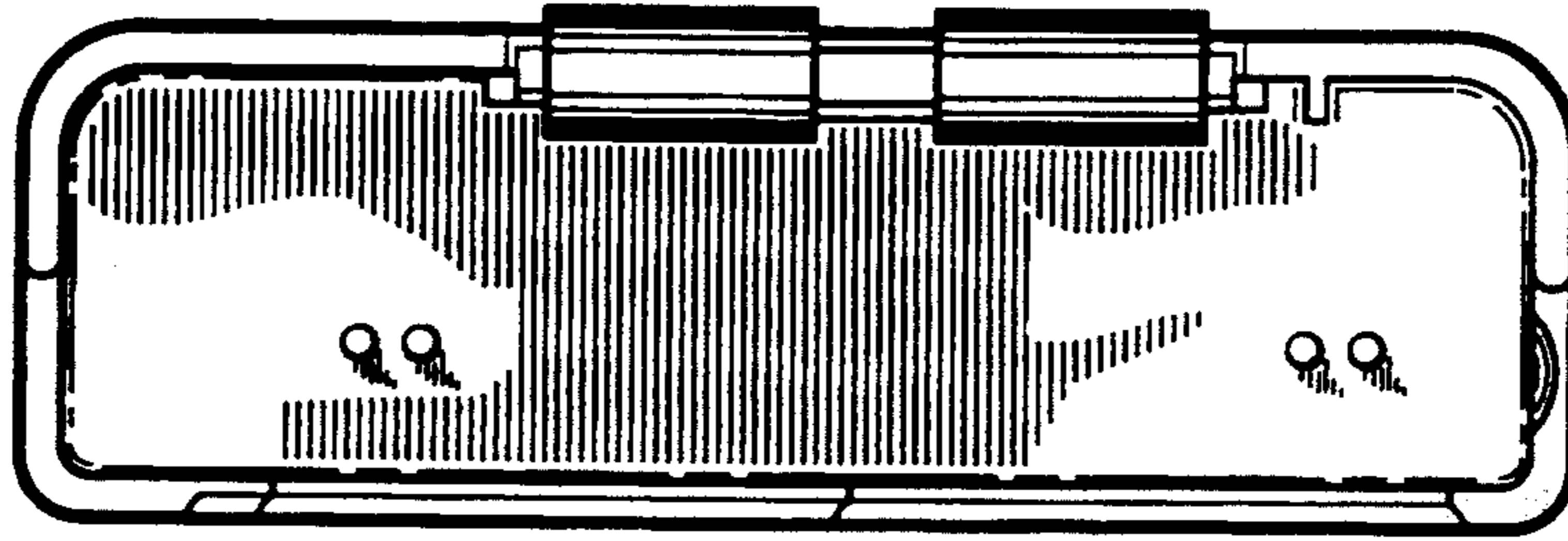


FIG. 1

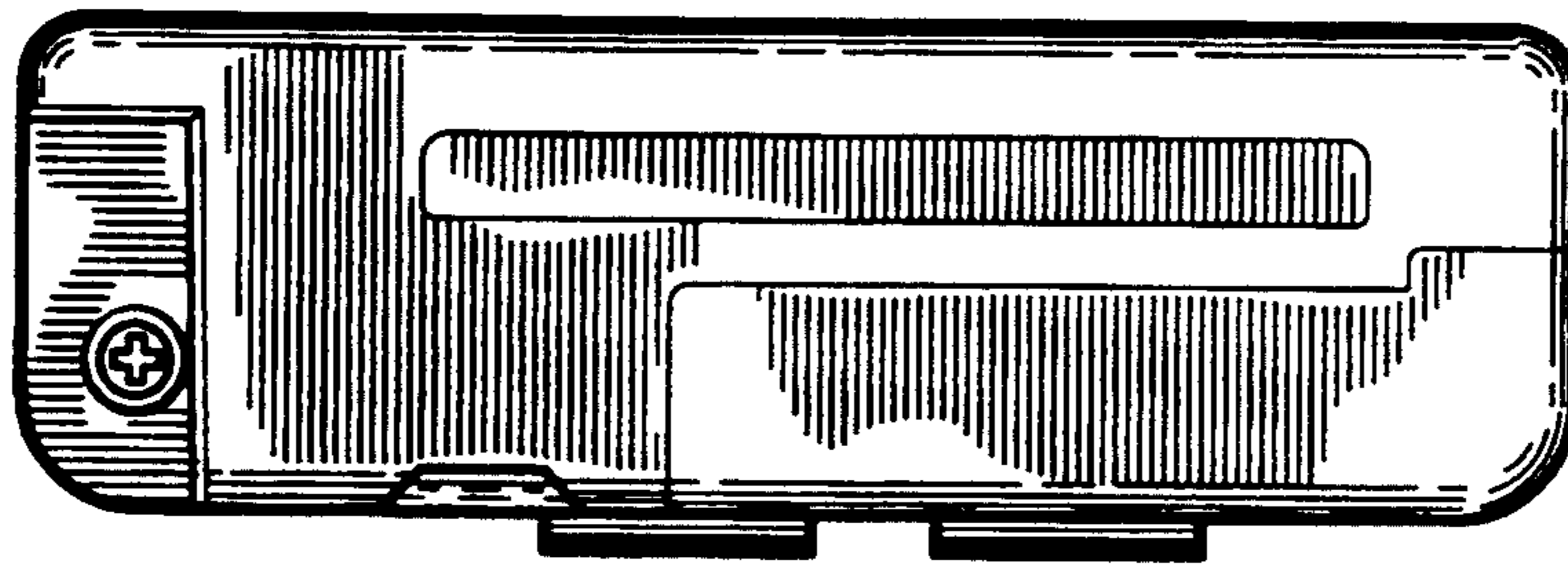


FIG. 2

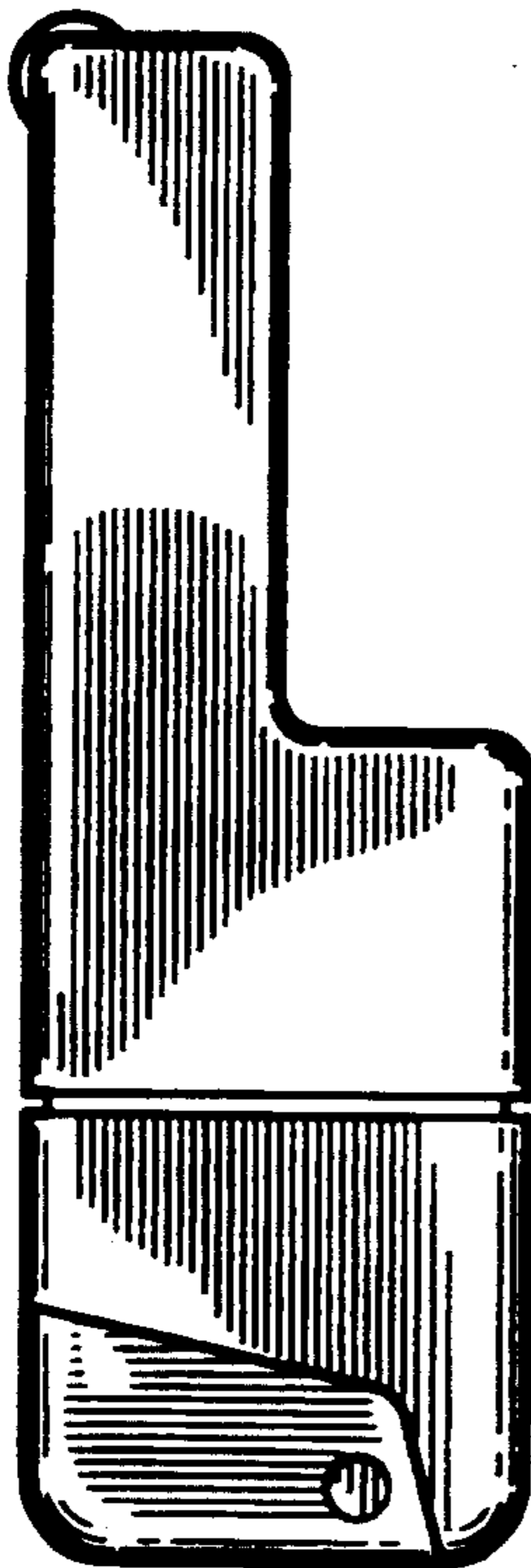


FIG. 3

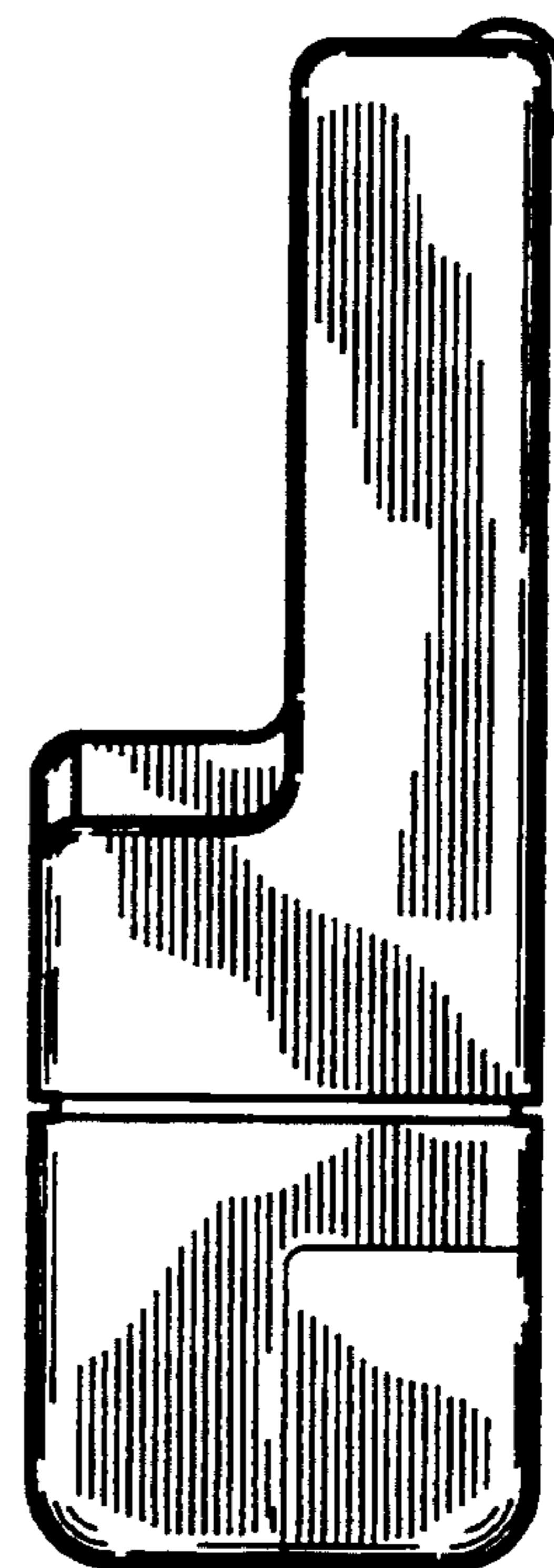


FIG. 4

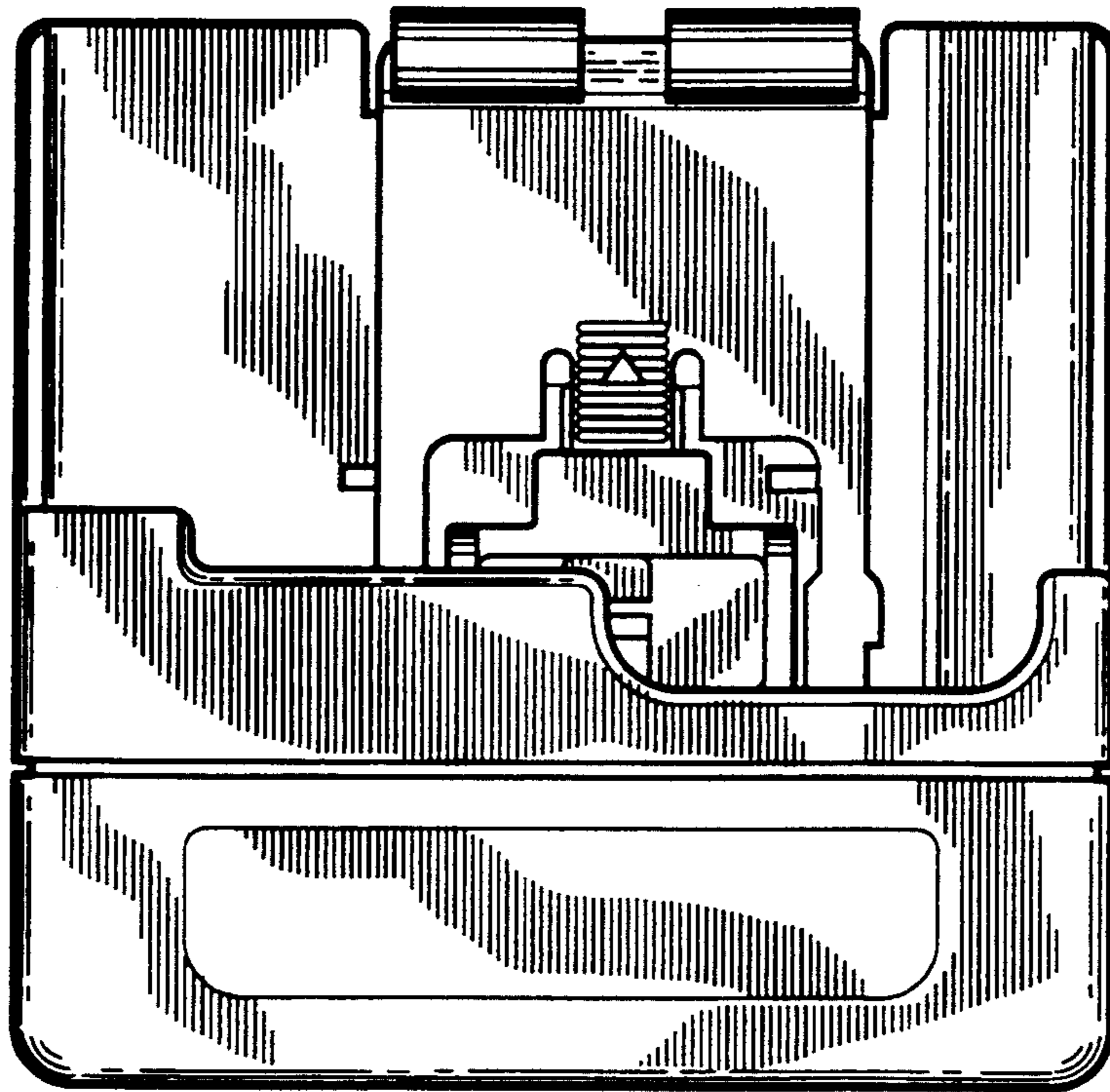


FIG. 5

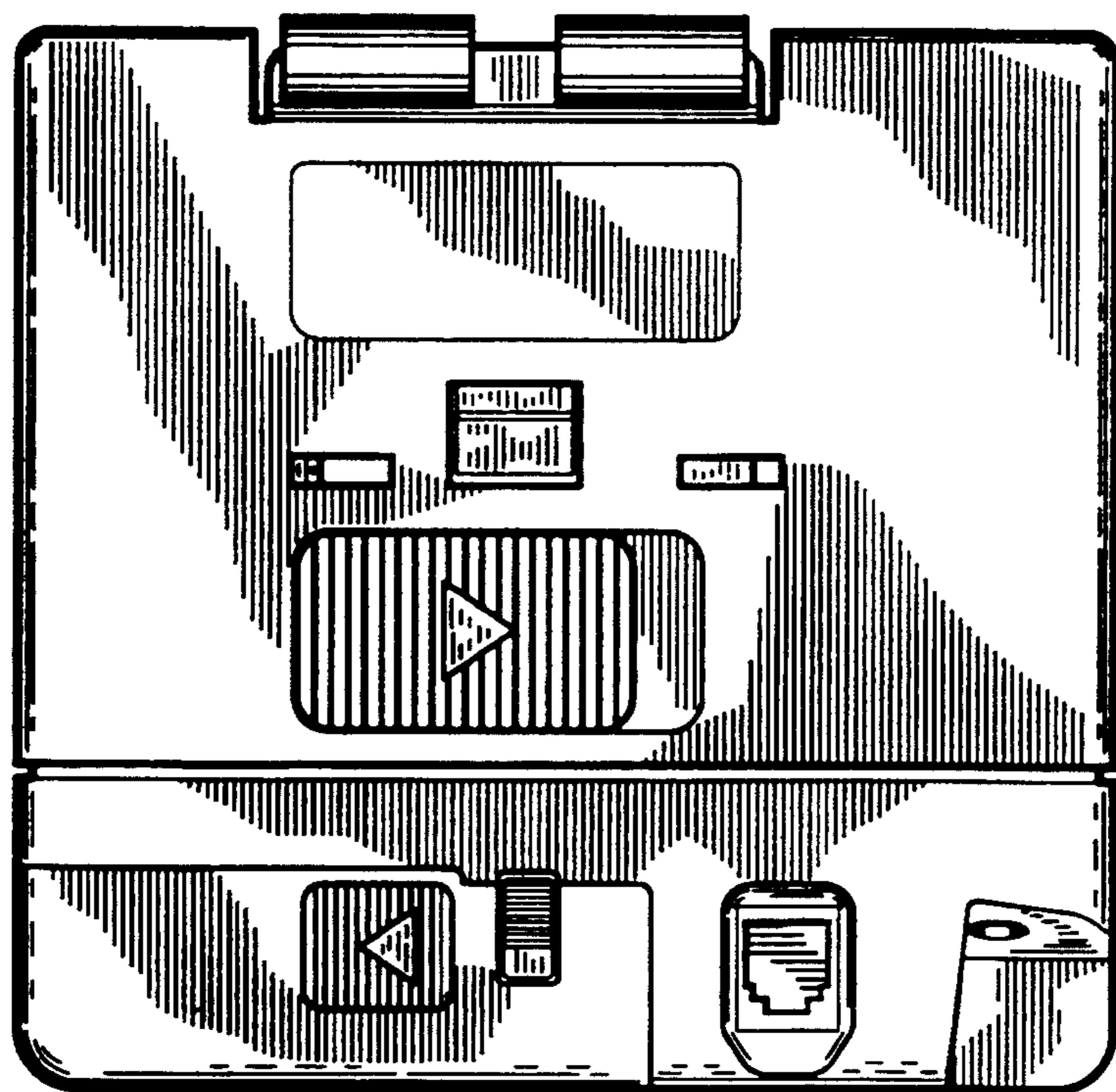


FIG. 6

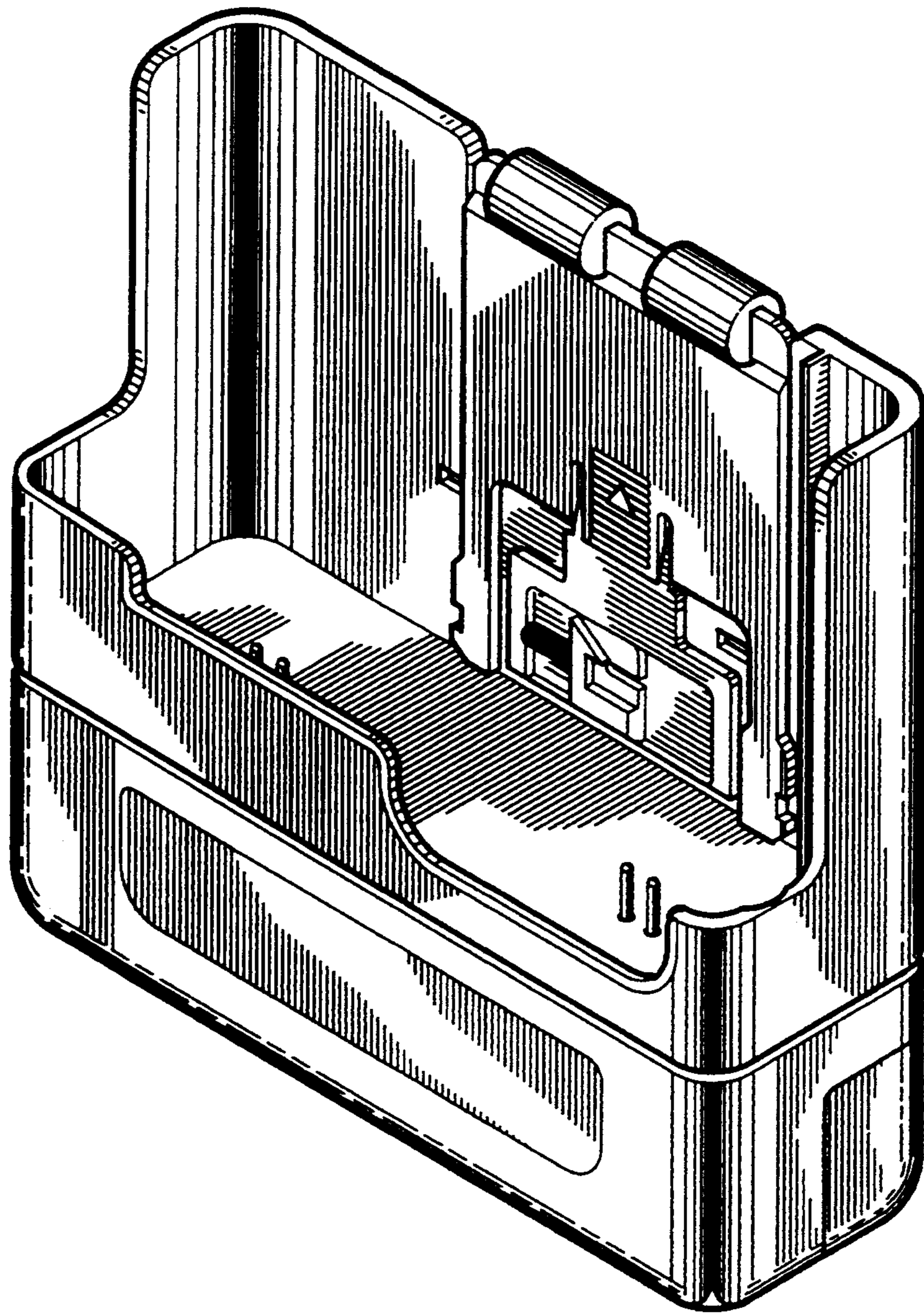


FIG. 7

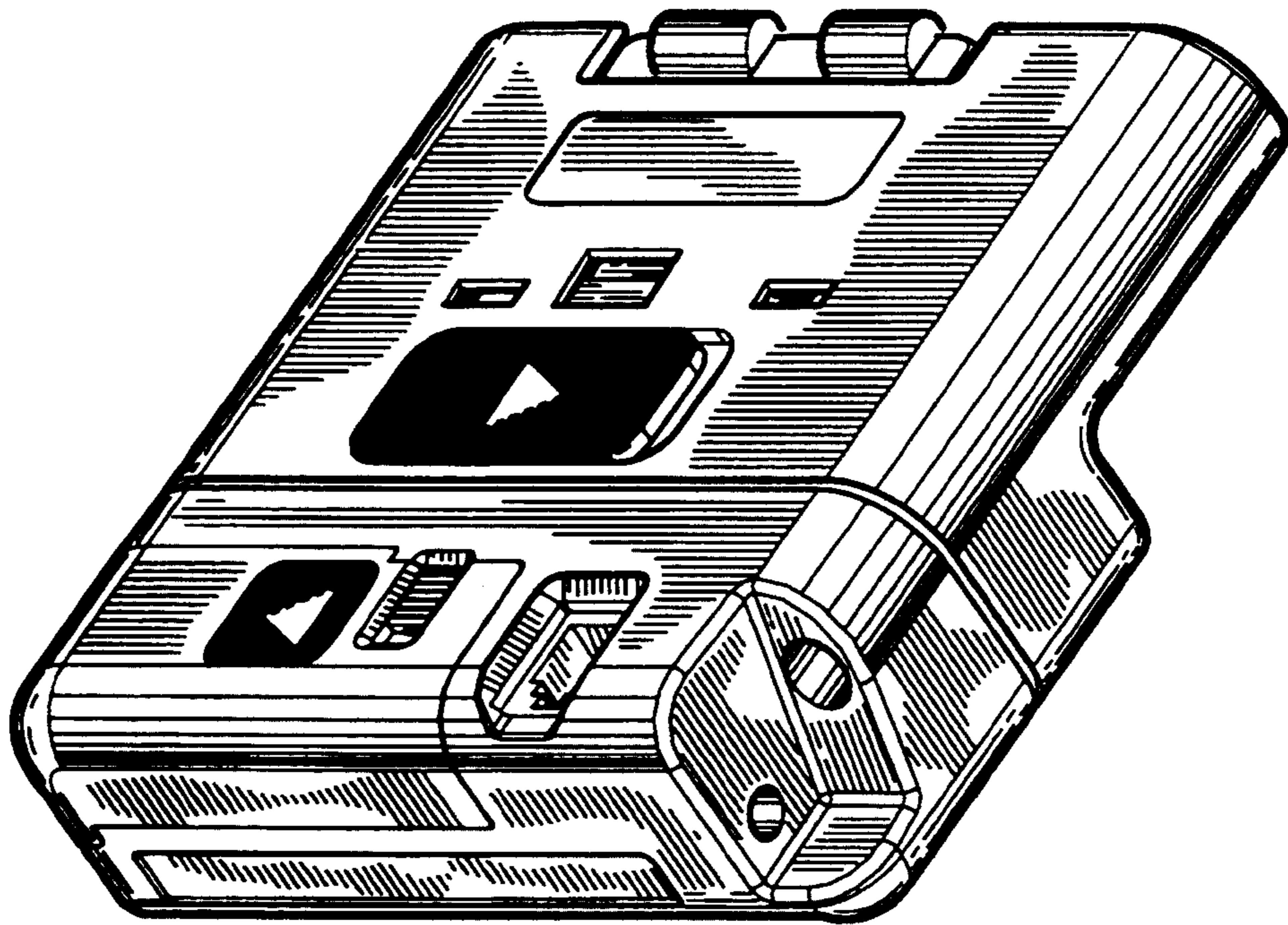


FIG. 8