



US00D350526S

United States Patent [19]
Wayne

[11] **Patent Number: Des. 350,526**

[45] **Date of Patent: ** Sep. 13, 1994**

[54] **VEHICLE CARGO AREA DIVIDER**

[76] **Inventor: Mark Wayne, 29436 Briarbank Ct., Southfield, Mich. 48034**

[**] **Term: 14 Years**

[21] **Appl. No.: 843,092**

[22] **Filed: Mar. 2, 1992**

[52] **U.S. Cl. D12/406**

[58] **Field of Search 410/118, 129, 156; D12/155, 98**

[56] **References Cited**

U.S. PATENT DOCUMENTS

D. 300,734	4/1989	Kruitbosch	D12/155
4,278,376	7/1981	Hunter	410/130
4,701,087	10/1987	Cain et al.	410/94
5,044,682	9/1991	Wayne	296/39.2

Primary Examiner—James M. Gandy

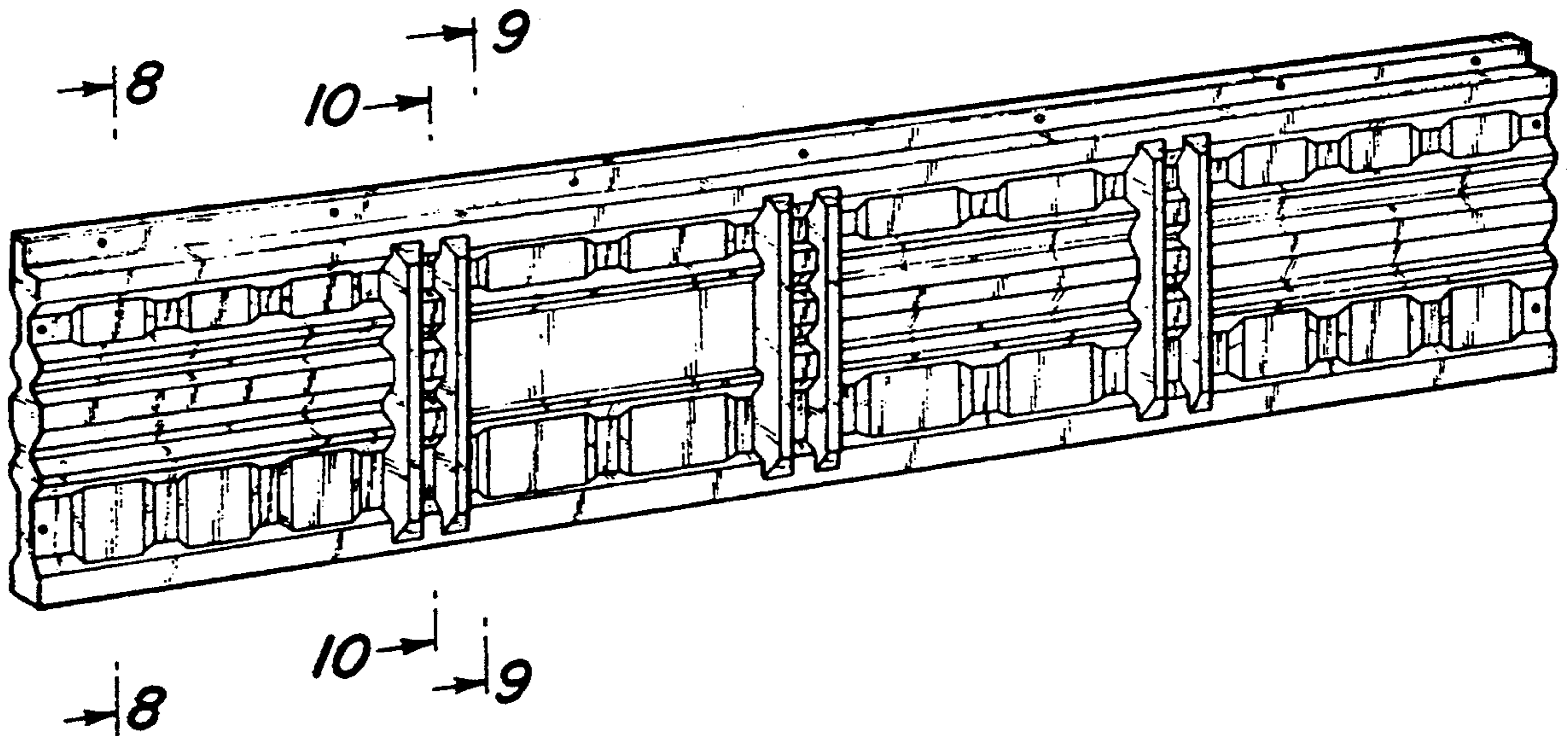
Attorney, Agent, or Firm—Gifford, Groh, Sprinkle, Patmore and Anderson

[57] **CLAIM**

The ornamental design for a vehicle cargo area divider, as shown.

DESCRIPTION

FIG. 1 is a perspective view of my new design for a vehicle cargo area divider;
 FIG. 2 is a top view thereof;
 FIG. 3 is a front elevational view thereof;
 FIG. 4 is a back elevational view thereof;
 FIG. 5 is a first end view thereof;
 FIG. 6 is a bottom view thereof;
 FIG. 7 is a second end view thereof;
 FIG. 8 is an enlarged sectional view taken along line 8—8 of FIG. 1;
 FIG. 9 is an enlarged sectional view taken along line 9—9 of FIG. 1; and,
 FIG. 10 is an enlarged sectional view taken along line 10—10 of FIG. 1.



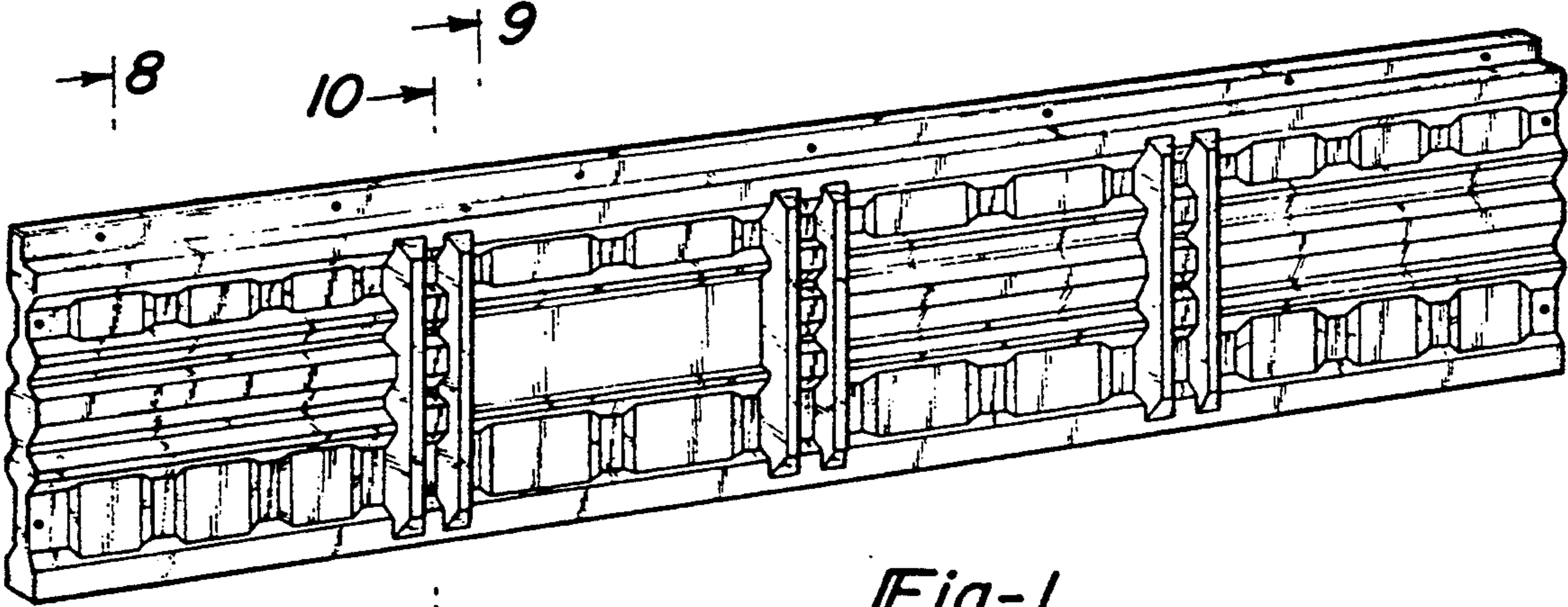


Fig-1



Fig-2

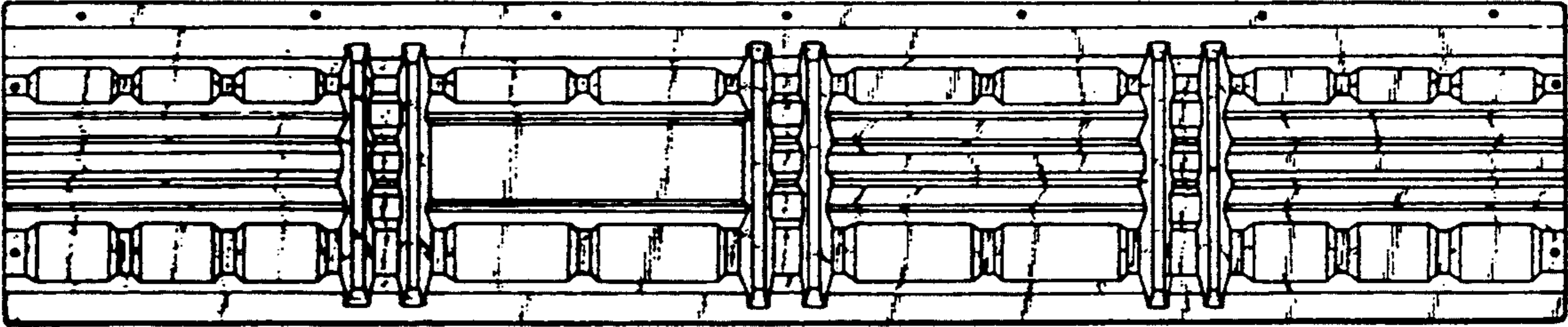


Fig-3

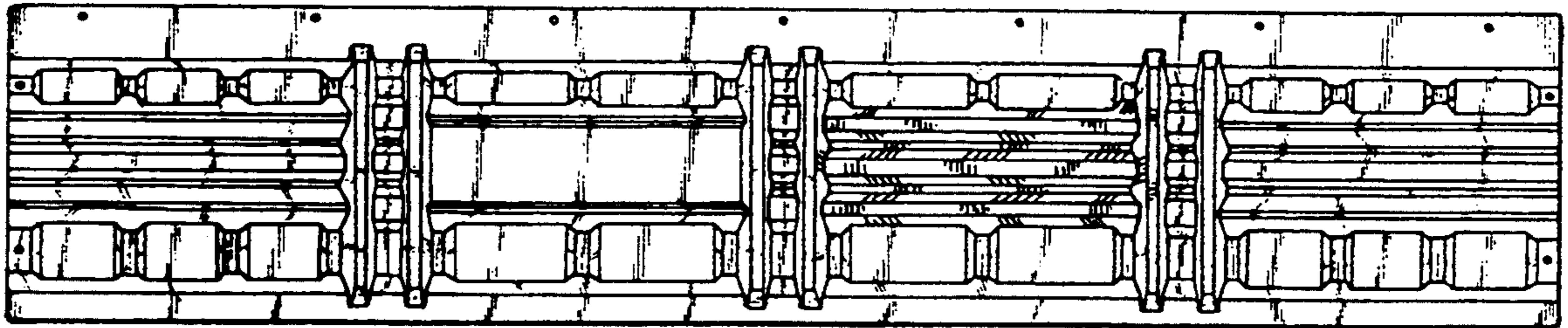


Fig-4



Fig-5



Fig-6



Fig-7

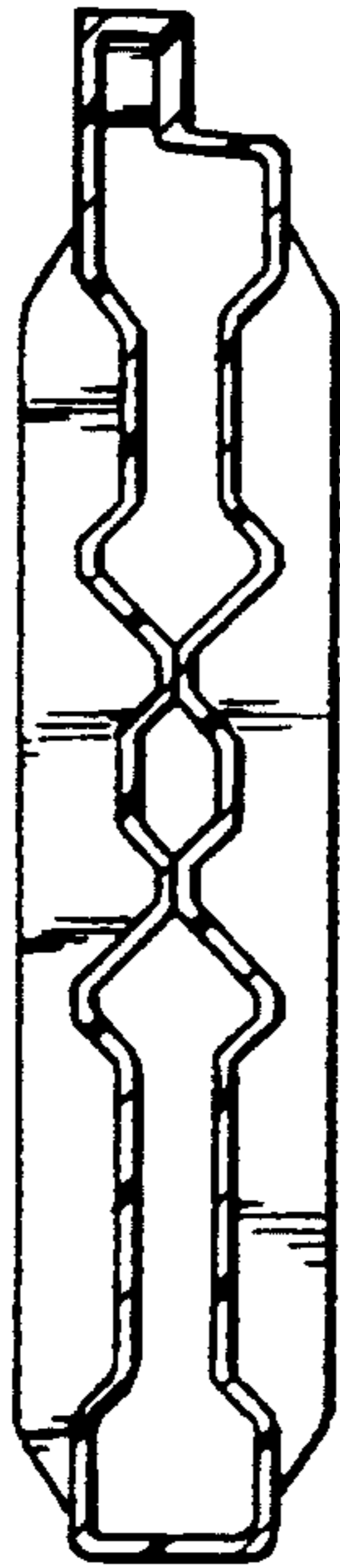


Fig-8

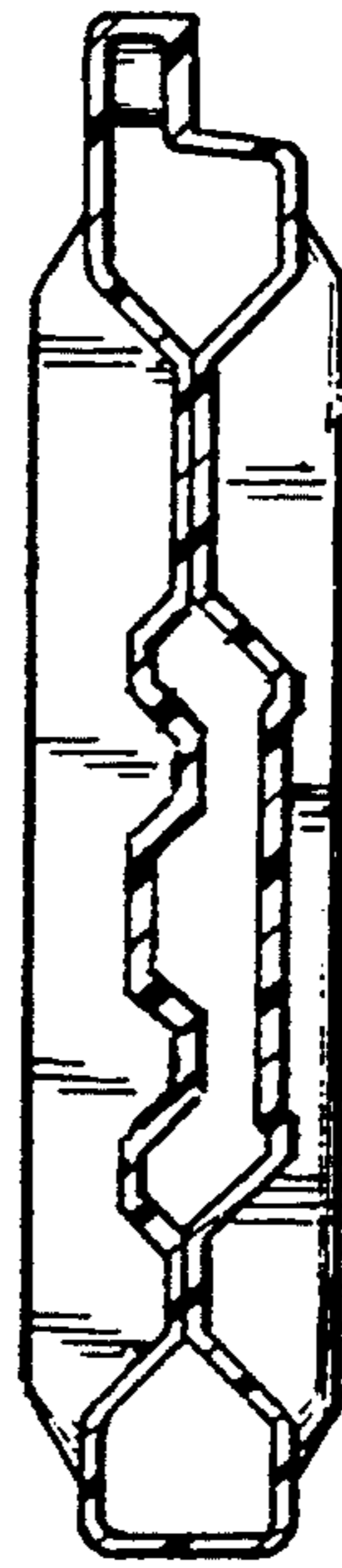


Fig-9

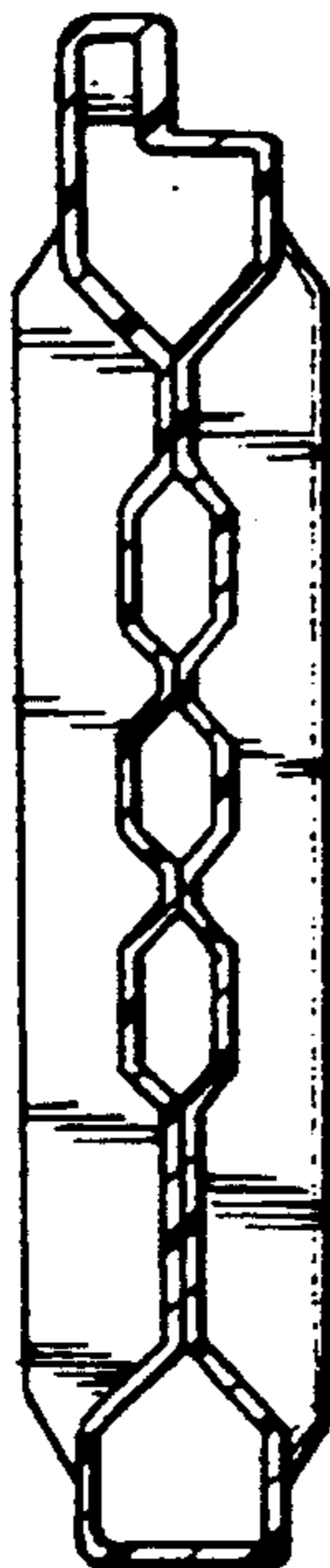


Fig-10