



US00D350525S

**United States Patent** [19]  
**Robinson**

[11] **Patent Number: Des. 350,525**  
[45] **Date of Patent: \*\* Sep. 13, 1994**

[54] **VEHICLE PARKING MARKER MAT**

[76] **Inventor: Ronnie D. Robinson, 19 Calle del Sur, Rancho Santa Margarita, Calif. 92688**

[\*\*] **Term: 14 Years**

[21] **Appl. No.: 11,159**

[22] **Filed: Jul. 27, 1993**

[52] **U.S. Cl. .... D12/217**

[58] **Field of Search ..... 188/32, 36; D12/217**

[56] **References Cited**

**U.S. PATENT DOCUMENTS**

- D. 245,416 8/1977 Carpenter ..... D12/217
- D. 280,611 9/1985 Nelson ..... D12/217
- D. 314,938 2/1991 Anderson ..... D12/217

- D. 343,821 2/1994 Bush et al. .... D12/217
- D. 348,588 8/1992 Mitchell ..... D12/217

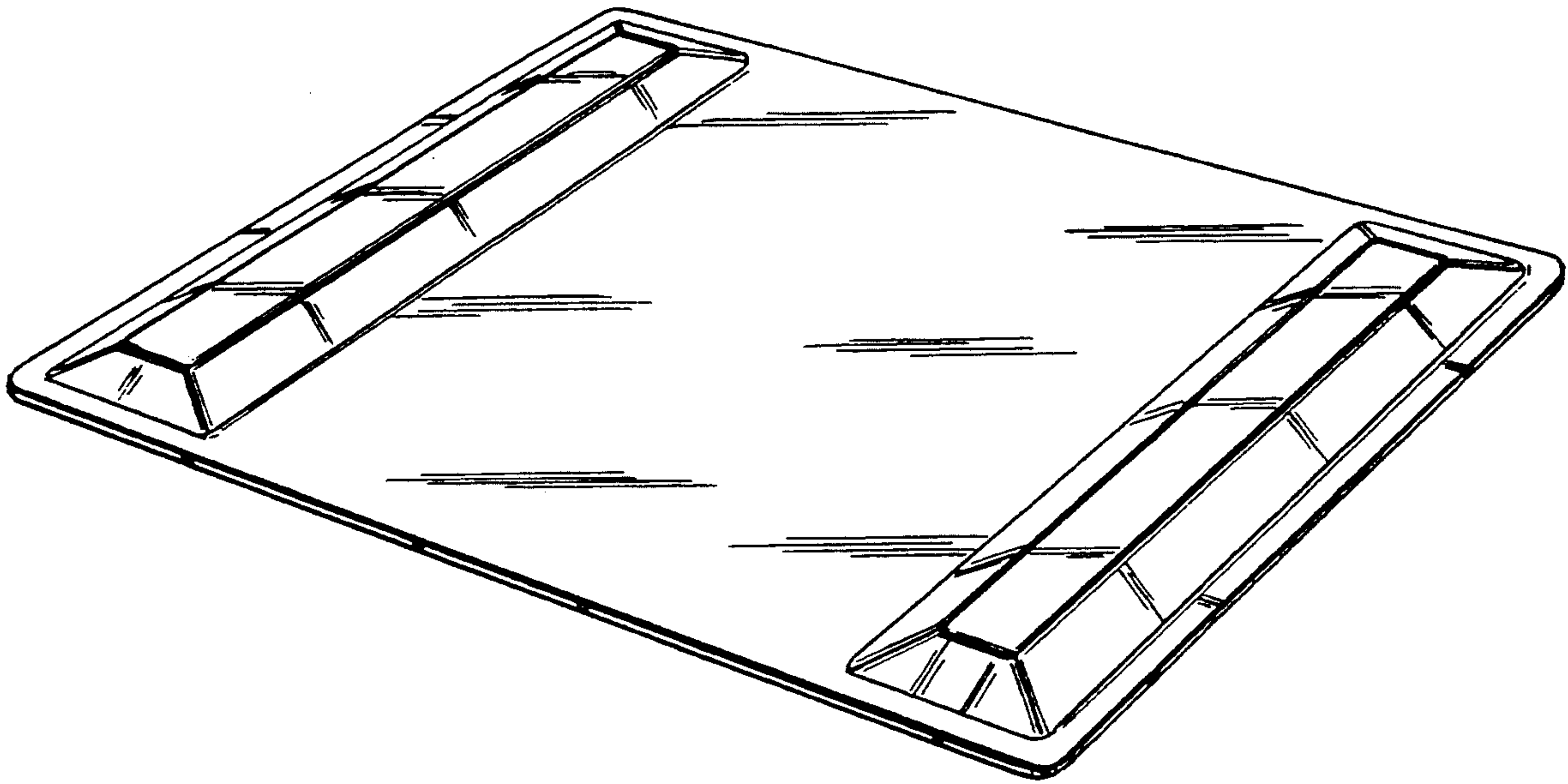
*Primary Examiner*—Wallace R. Burke  
*Assistant Examiner*—M. Brown  
*Attorney, Agent, or Firm*—Stetina and Brunda

[57] **CLAIM**

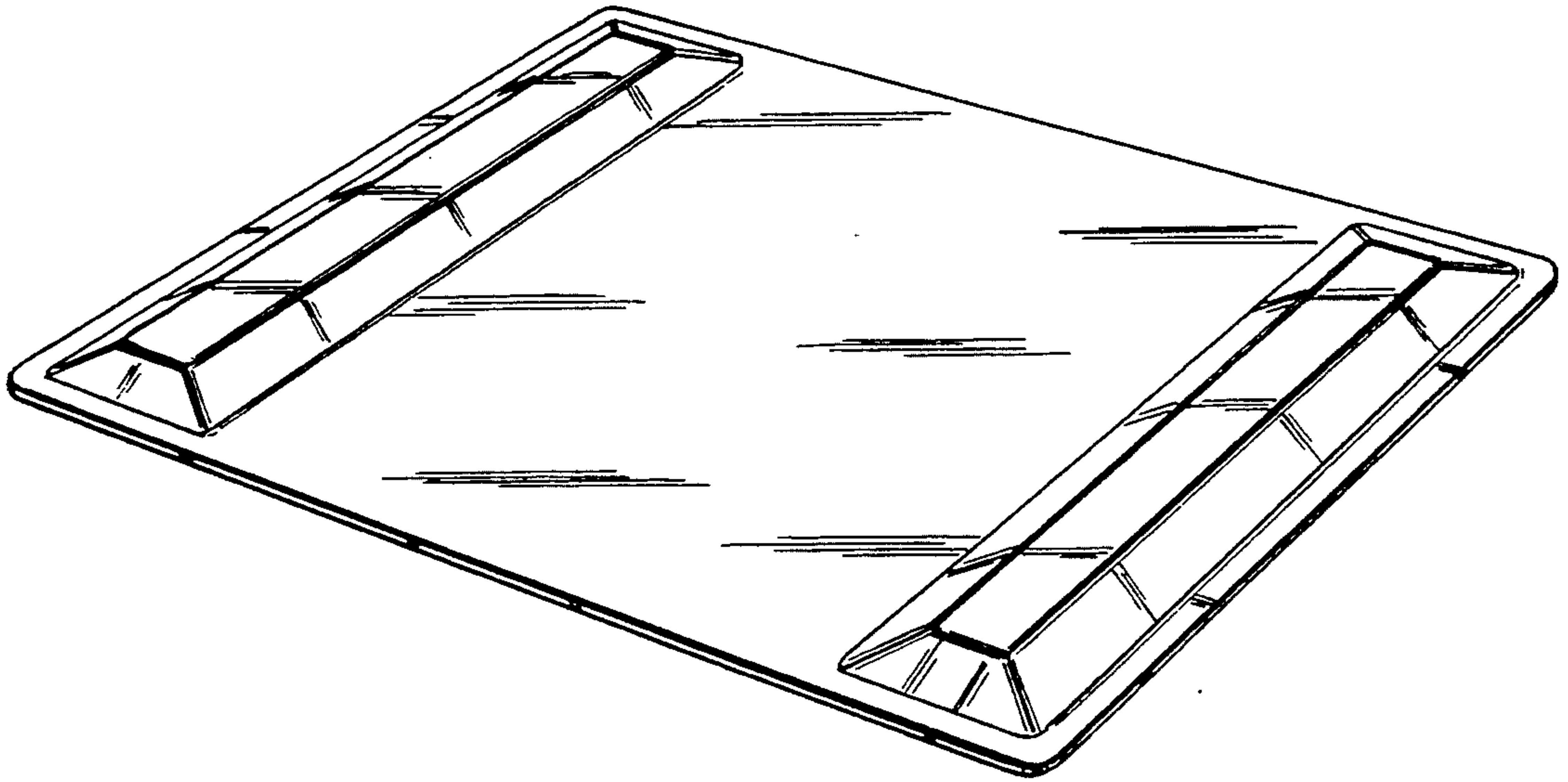
The ornamental design for a vehicle parking marker mat, as shown.

**DESCRIPTION**

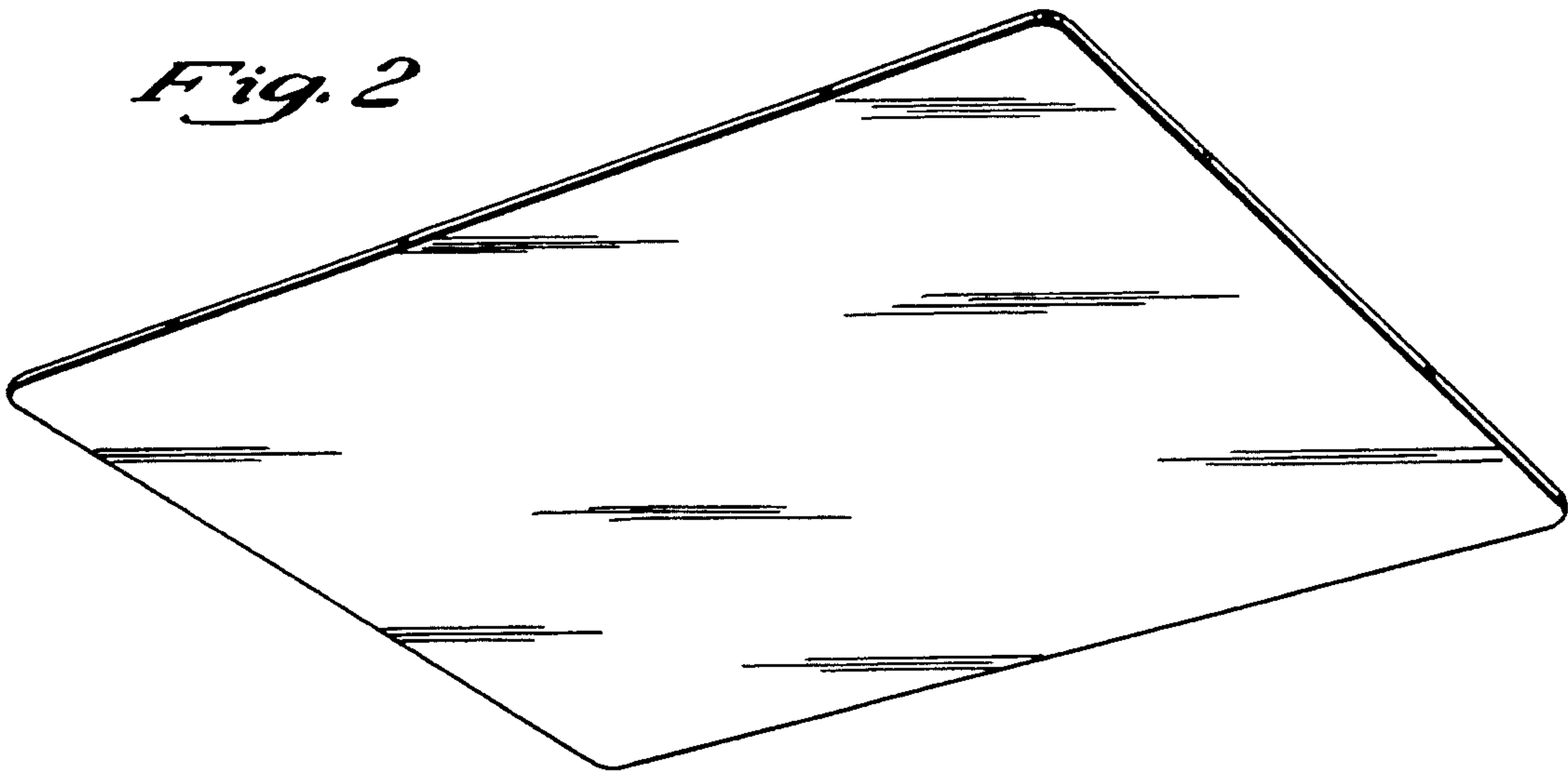
FIG. 1 is a top perspective view of the vehicle parking marker mat of the present invention showing my new design;  
FIG. 2 is a bottom perspective view thereof;  
FIG. 3 is a side elevational view thereof; and,  
FIG. 4 is an end elevational view thereof.



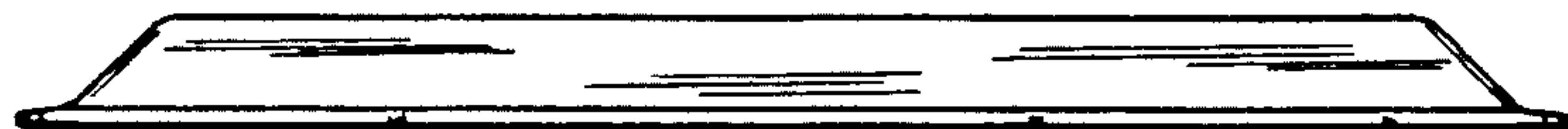
*Fig. 1*



*Fig. 2*



*Fig. 3*



*Fig. 4*