



US00D350521S

United States Patent [19]
Hu

[11] **Patent Number: Des. 350,521**
[45] **Date of Patent: ** Sep. 13, 1994**

[54] **SUPPLEMENTAL REARVIEW MIRROR FOR VEHICLE**

[76] **Inventor: Tsai-Fu Hu**, No. 200, Sec. 2, Fu-Chiang Road, Yung-Kang Shih, Tainan Hsien, Taiwan

[**] **Term: 14 Years**

[21] **Appl. No.: 11,909**

[22] **Filed: Aug. 18, 1993**

[52] **U.S. Cl. D12/187**

[58] **Field of Search 359/865, 844, 854, 868, 359/871, 875, 872; D12/187**

[56] **References Cited**

U.S. PATENT DOCUMENTS

D. 307,571	5/1990	Owen et al.	D12/187
4,892,400	1/1990	Brookes et al.	359/865
5,096,283	3/1992	Croteau	359/865

OTHER PUBLICATIONS

J. C. Whitney & Co Catalog No. 466c, ©1985, p. 26, the fender mounted mirror for trailer towing vehicles. J. C. Whitney & Co. Catalog No. 540j ©1990, p. 61, the strap on towing mirrors.

Primary Examiner—Wallace R. Burke

Assistant Examiner—M. Brown

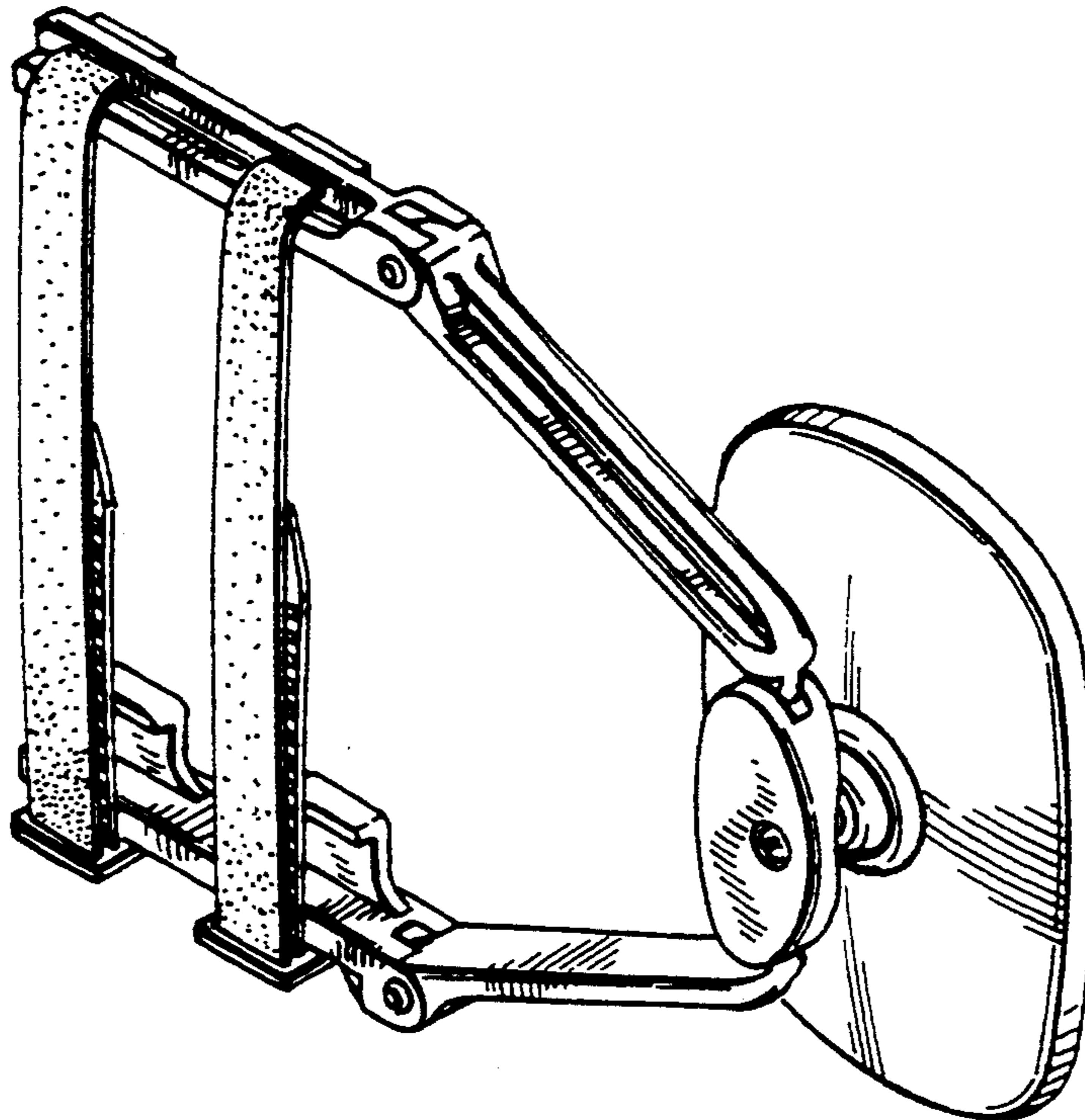
Attorney, Agent, or Firm—Morton J. Rosenberg; David I. Klein

[57] **CLAIM**

The ornamental design for a supplemental rearview mirror for vehicle, as shown.

DESCRIPTION

FIG. 1 is a perspective view of a supplemental rearview mirror for vehicle showing my new design; FIG. 2 is a front elevational view thereof; FIG. 3 is a rear elevational view thereof; FIG. 4 is a left side elevational view thereof; FIG. 5 is a right side elevational view thereof; FIG. 6 is a top plan view thereof; and, FIG. 7 is a bottom plan view thereof.



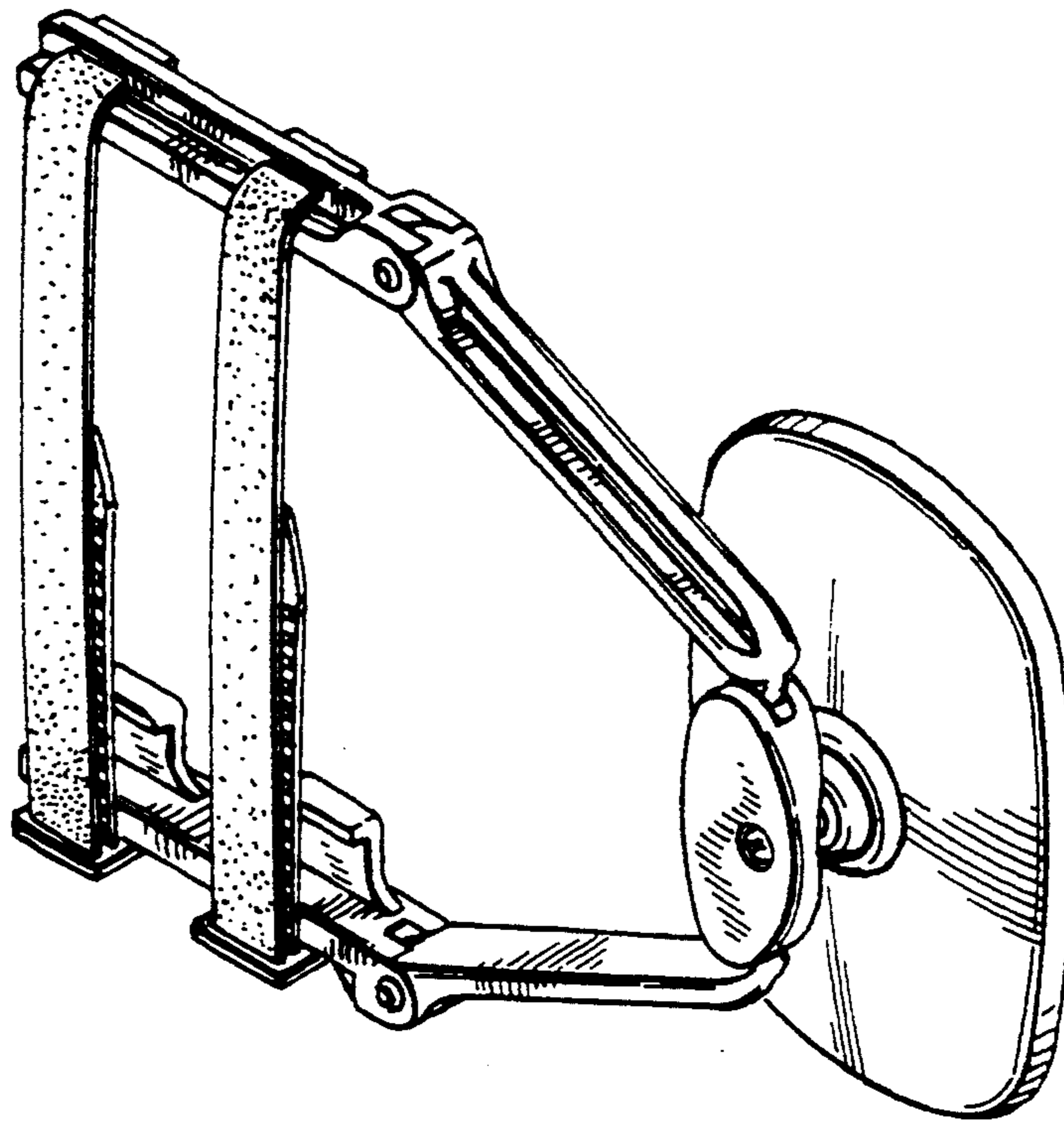


FIG. 1

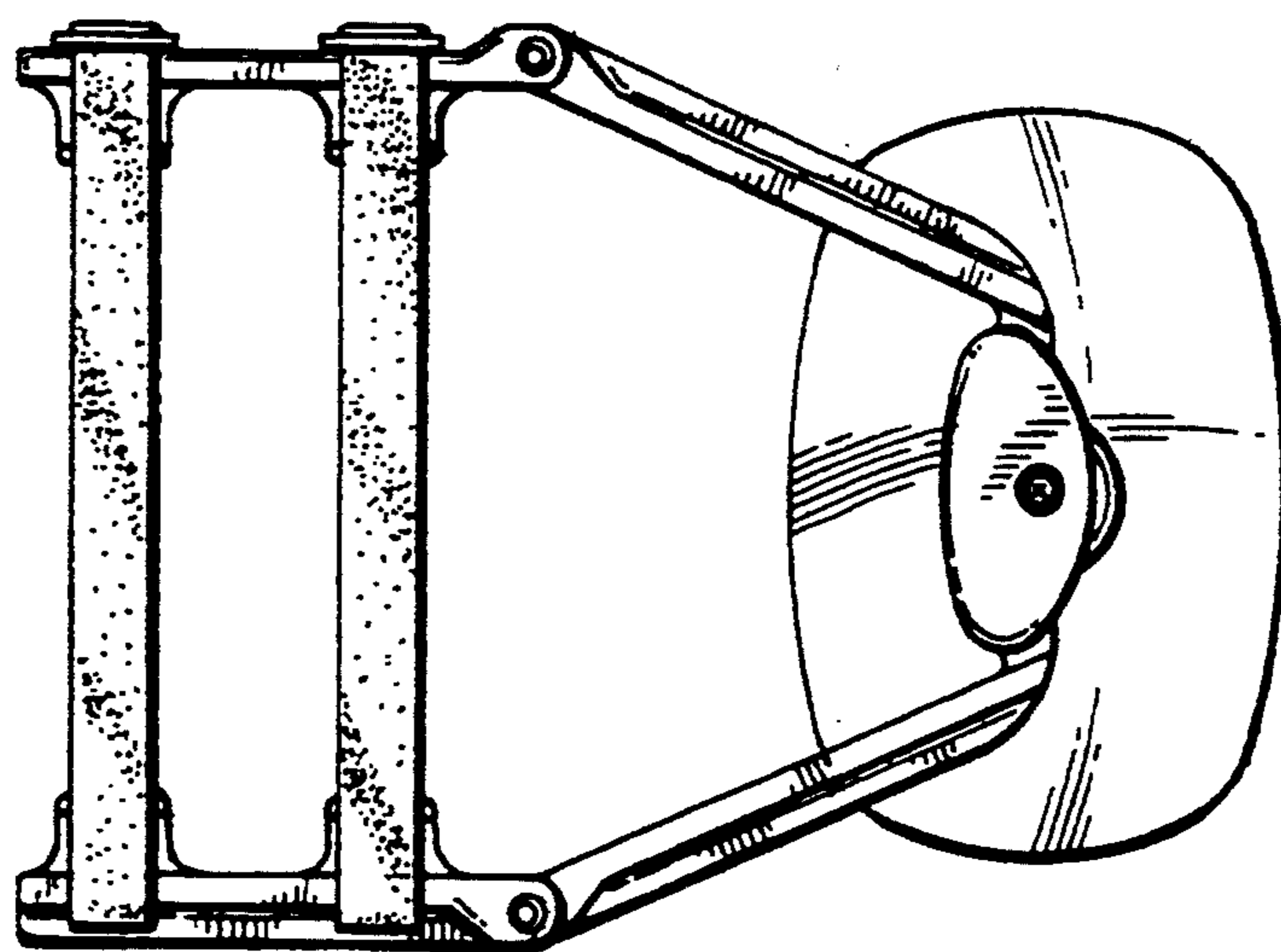


FIG. 2

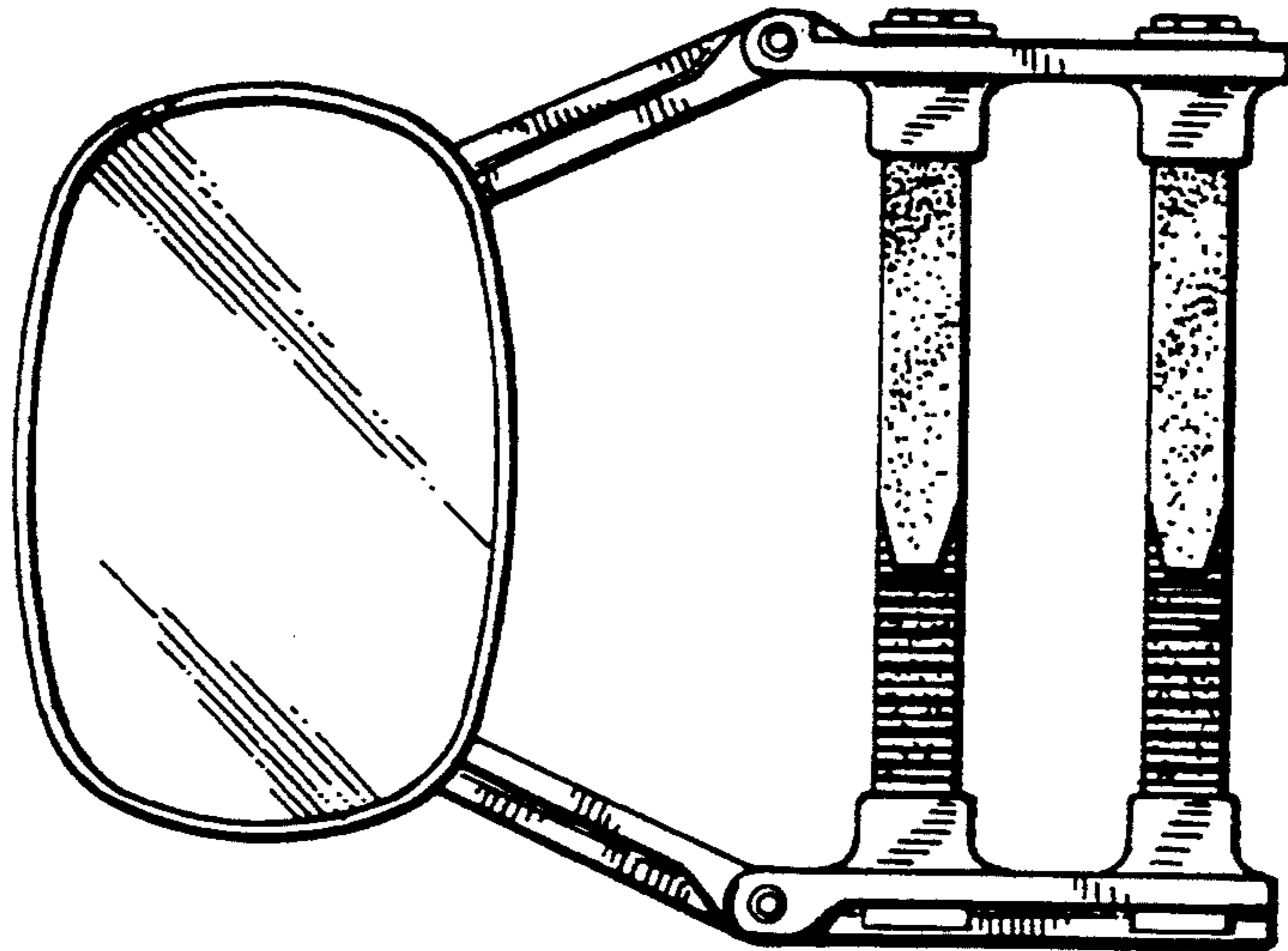


FIG. 3

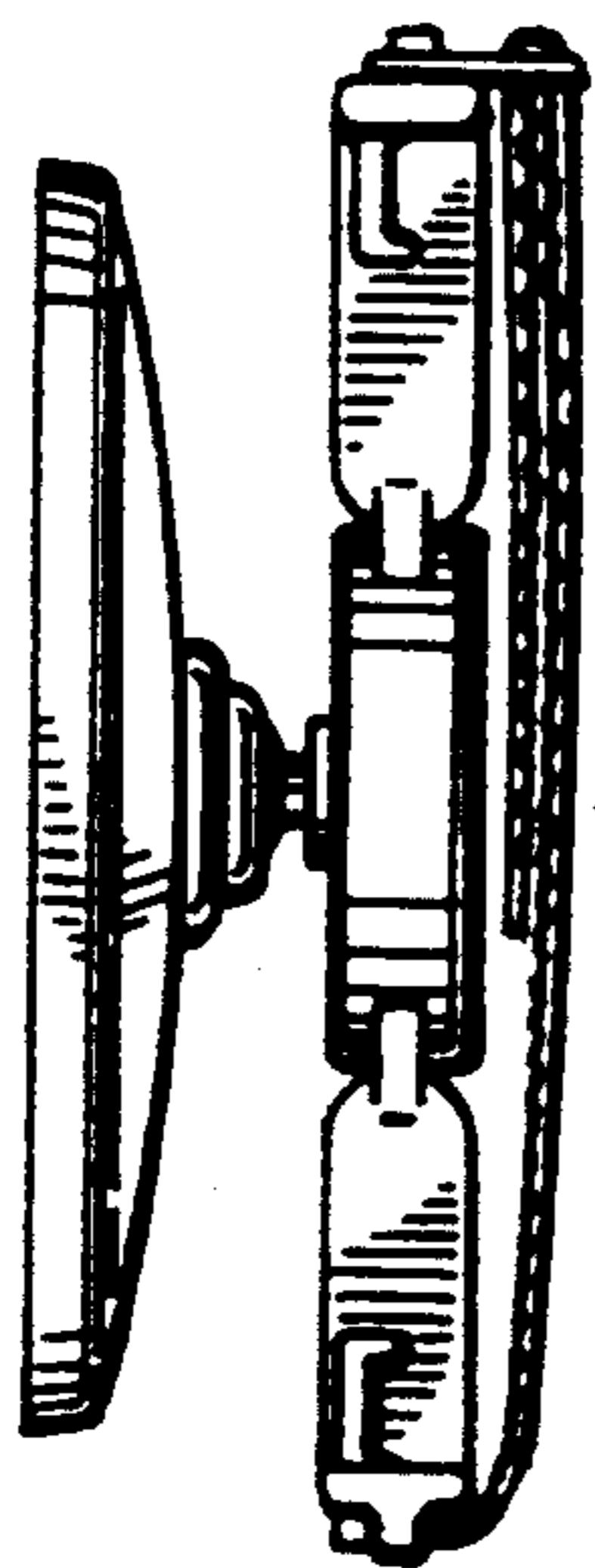


FIG. 4

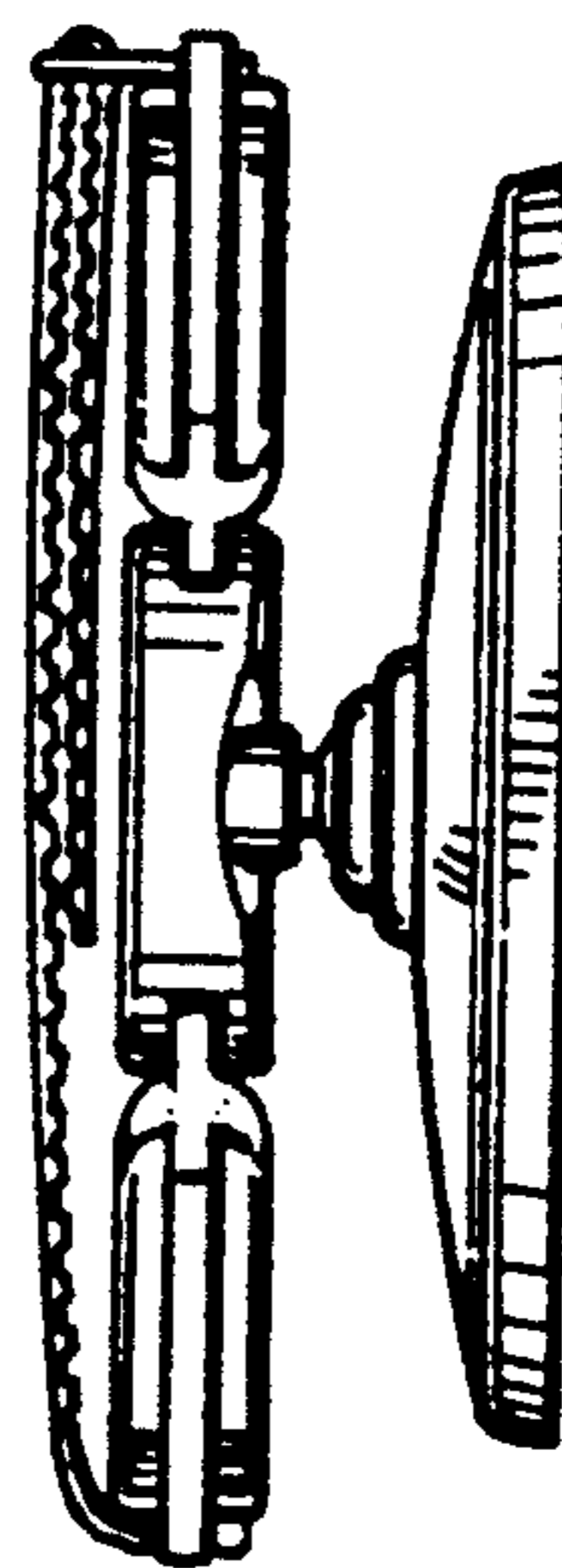


FIG. 5

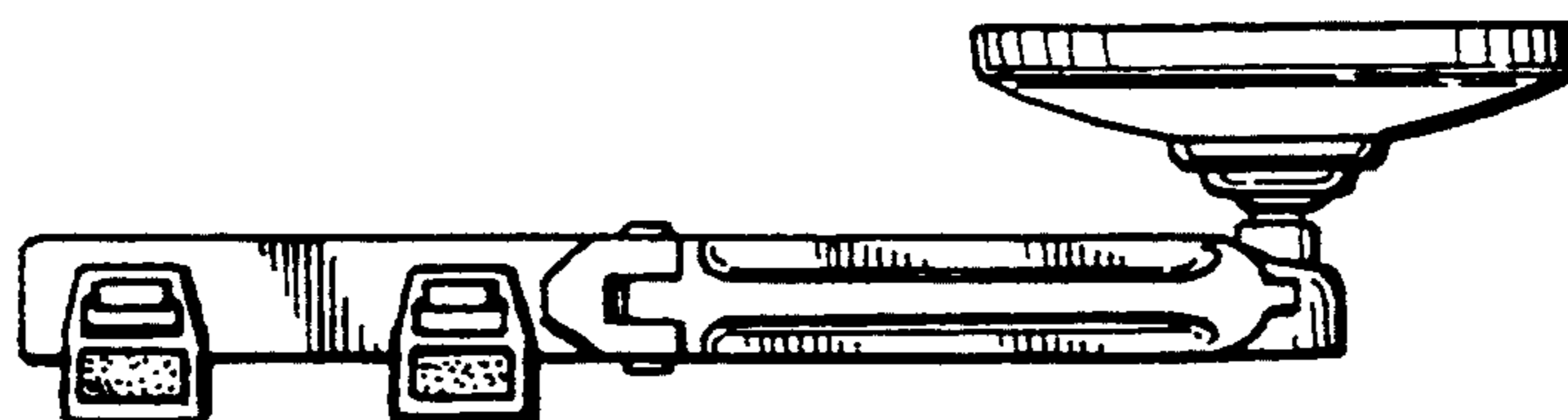


FIG. 6

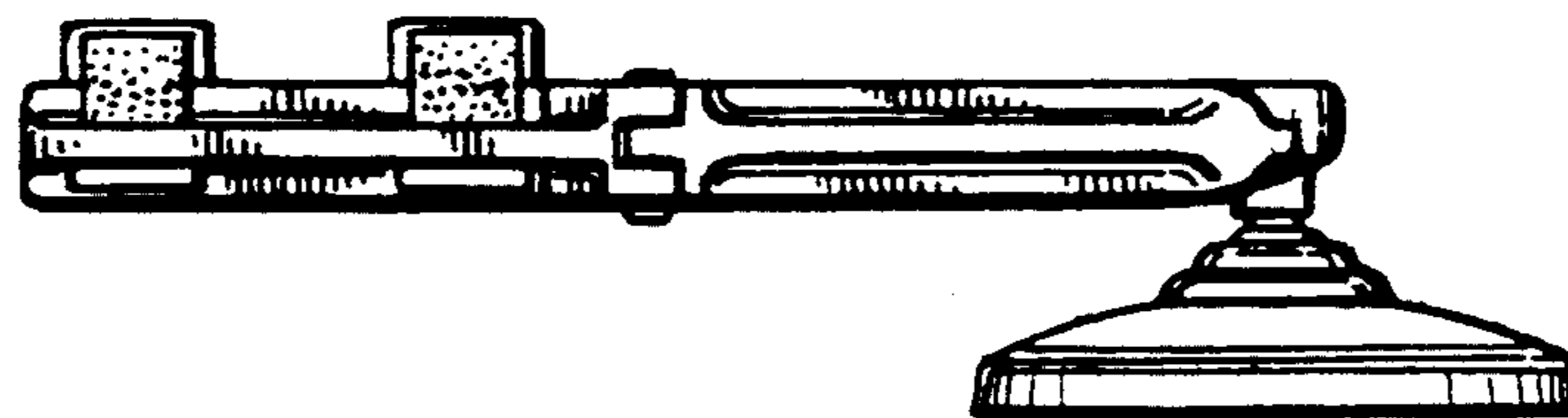


FIG. 7