



US00D350520S

# United States Patent [19]

[11] Patent Number: **Des. 350,520**

Steinke et al.

[45] Date of Patent: **\*\* Sep. 13, 1994**

- [54] **DISC BRAKE SHIM**
- [75] Inventors: **Gustav J. Steinke; Starla D. Huffer,**  
both of Lima, Ohio
- [73] Assignee: **International Brake Industries, Inc.,**  
Lima, Ohio
- [\*\*] Term: **14 Years**
- [21] Appl. No.: **8,255**
- [22] Filed: **May 12, 1993**

5,033,590 7/1991 Kobayashi et al. .... 188/250 B  
 5,141,083 8/1991 Burgoon ..... 188/250 B

### FOREIGN PATENT DOCUMENTS

0180555 5/1986 European Pat. Off. .... 188/73.1

*Primary Examiner*—Wallace R. Burke  
*Assistant Examiner*—M. Brown  
*Attorney, Agent, or Firm*—Edgar A. Zarins; Malcolm L. Sutherland

### [57] CLAIM

The ornamental design for a disc brake shim, as shown and described.

### Related U.S. Application Data

- [62] Division of Ser. No. 797,261, Nov. 25, 1991, Pat. No. Des. 341,119.
- [52] U.S. Cl. .... **D12/180**
- [58] Field of Search ..... 188/73.1, 250 B;  
D12/180

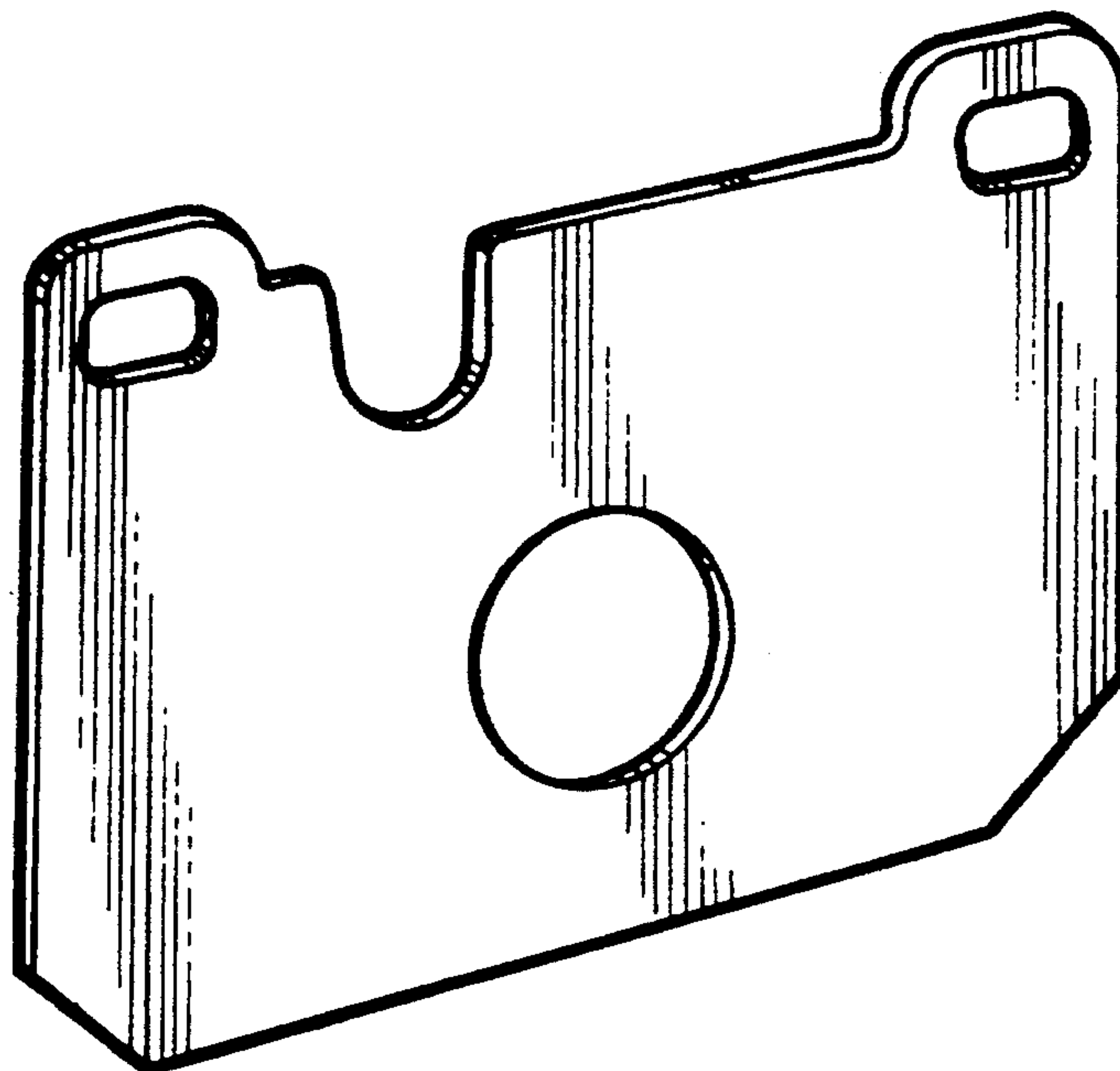
### DESCRIPTION

FIG. 1 is a perspective view of a disc brake shim showing our new design;  
 FIG. 2 is a front elevational view thereof;  
 FIG. 3 is a rear elevational view thereof;  
 FIG. 4 is a top plan view thereof;  
 FIG. 5 is a bottom plan view thereof; and,  
 FIG. 6 is a side view thereof, the opposite side being a mirror image of the side shown.

### [56] References Cited

#### U.S. PATENT DOCUMENTS

D. 279,467 7/1985 Eberhart et al. .... D12/180



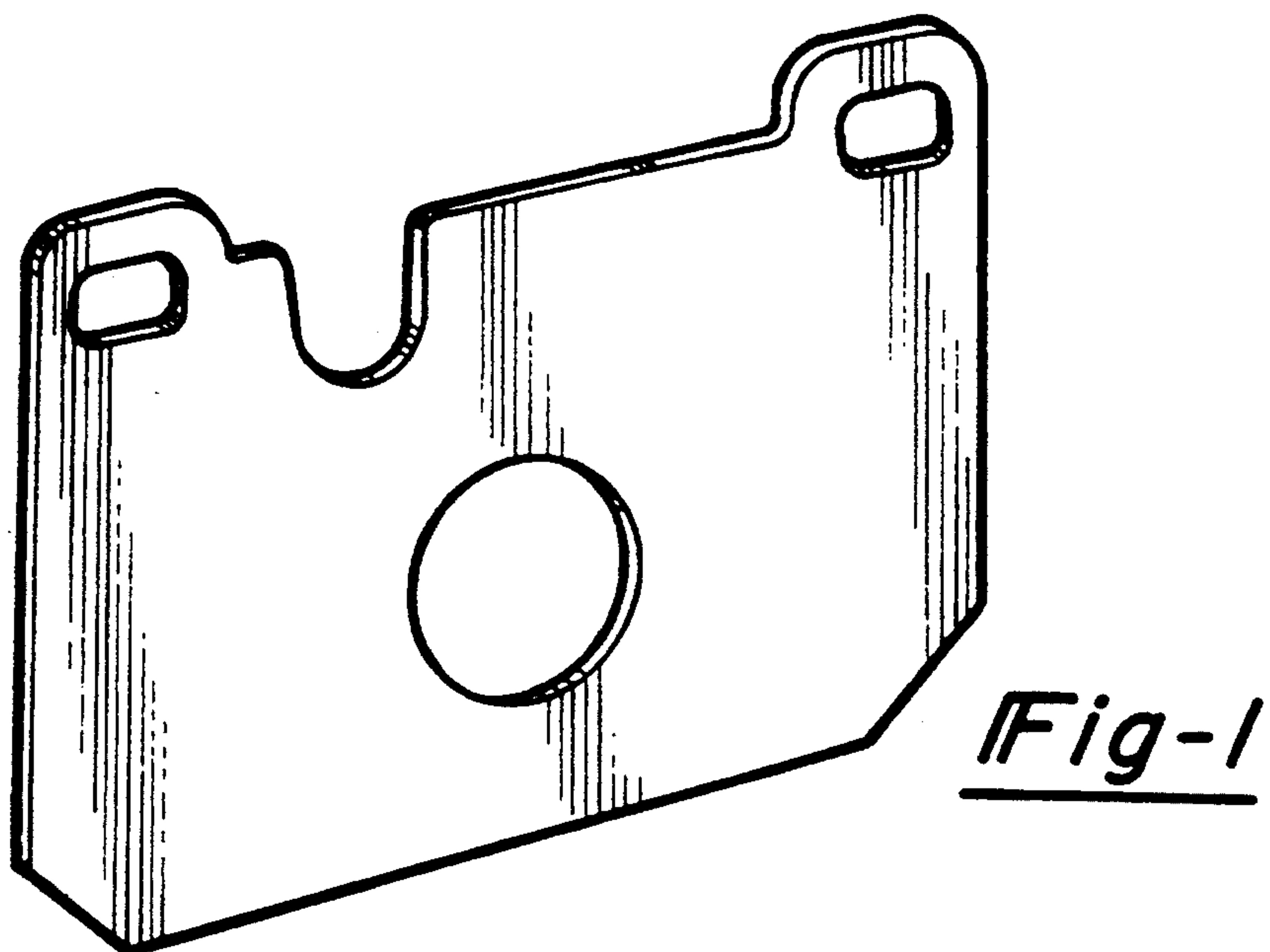


Fig-1

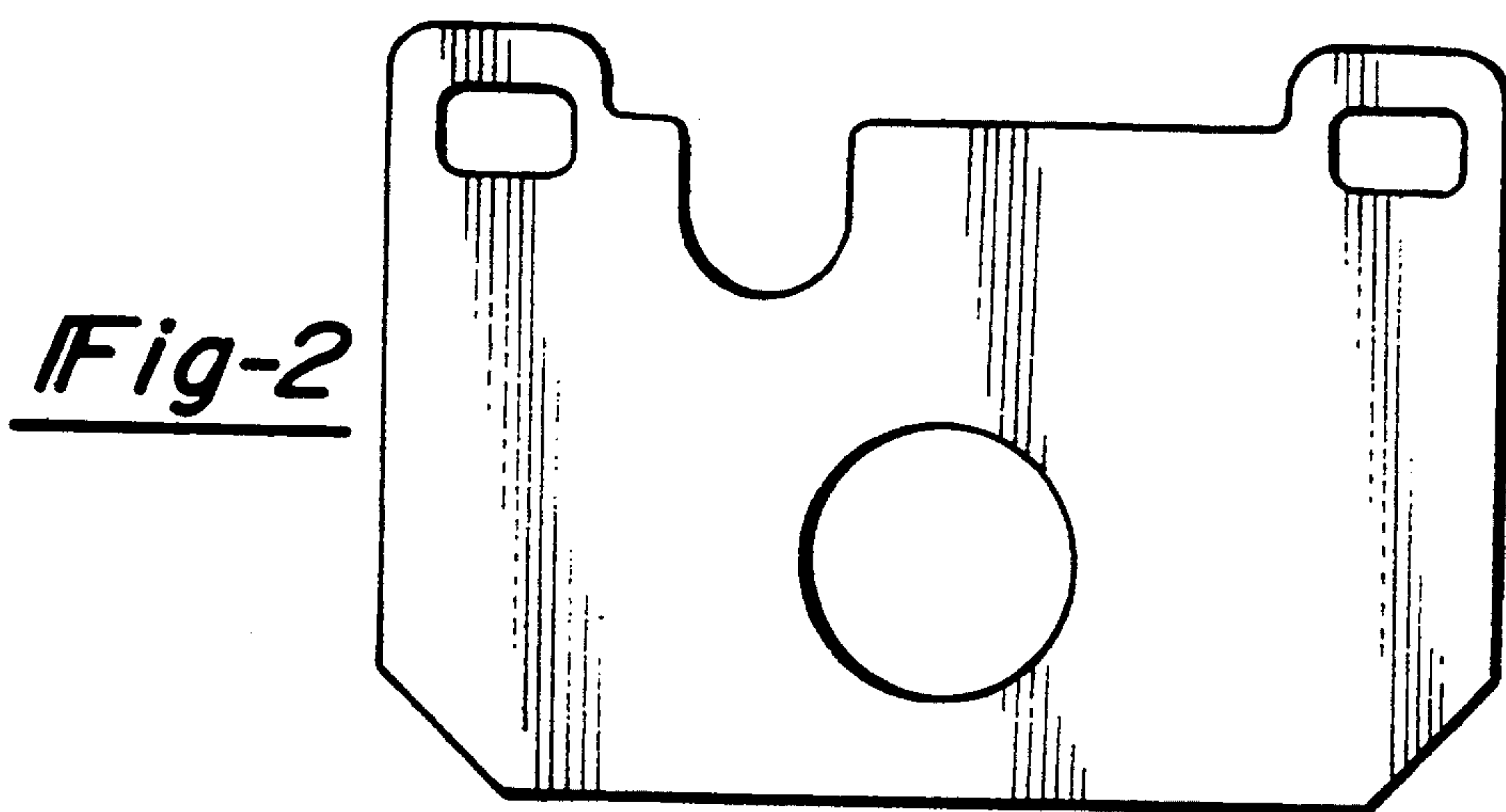


Fig-2

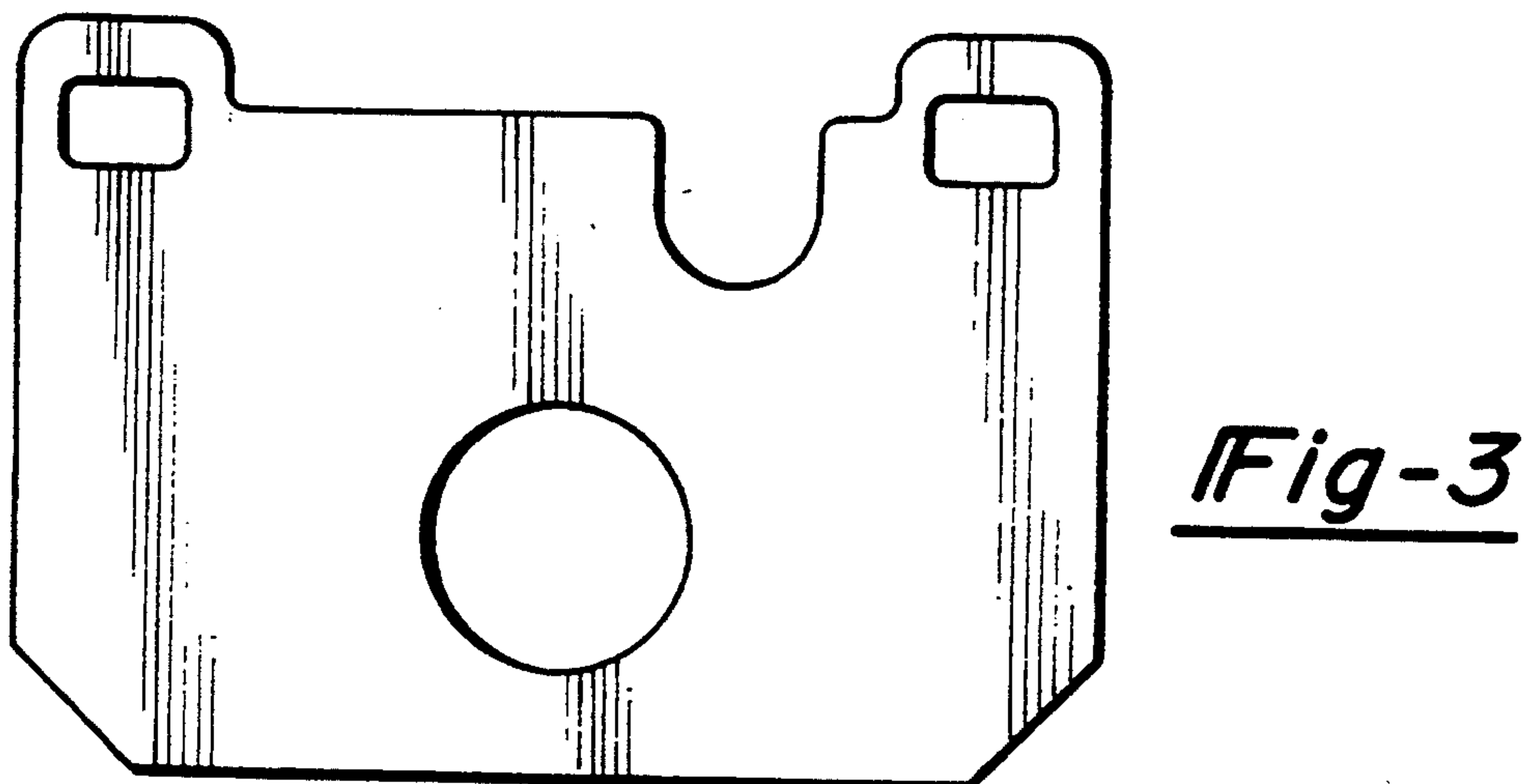


Fig-3



*Fig-4*



*Fig-5*



*Fig-6*