



US00D350519S

United States Patent [19]

[11] Patent Number: **Des. 350,519**

Steinke et al.

[45] Date of Patent: **** Sep. 13, 1994**

[54] **DISC BRAKE SHIM**

[56] **References Cited**

[75] Inventors: **Gustav J. Steinke; Starla D. Huffer,**
both of Lima, Ohio

U.S. PATENT DOCUMENTS

D. 279,467 7/1985 Eberhart et al. D12/180
5,033,590 7/1991 Kobayashi et al. 188/250 B
5,141,083 8/1991 Burgoon 188/250 B

[73] Assignee: **International Brake Industries, Inc.,**
Lima, Ohio

FOREIGN PATENT DOCUMENTS

0180555 5/1986 European Pat. Off. 188/73.1

[**] Term: **14 Years**

Primary Examiner—Wallace R. Burke
Assistant Examiner—M. Brown
Attorney, Agent, or Firm—Edgar A. Sutherland;
Malcolm L. Sutherland

[21] Appl. No.: **8,271**

[57] CLAIM

[22] Filed: **May 12, 1993**

The ornamental design for a disc brake shim, as shown and described.

Related U.S. Application Data

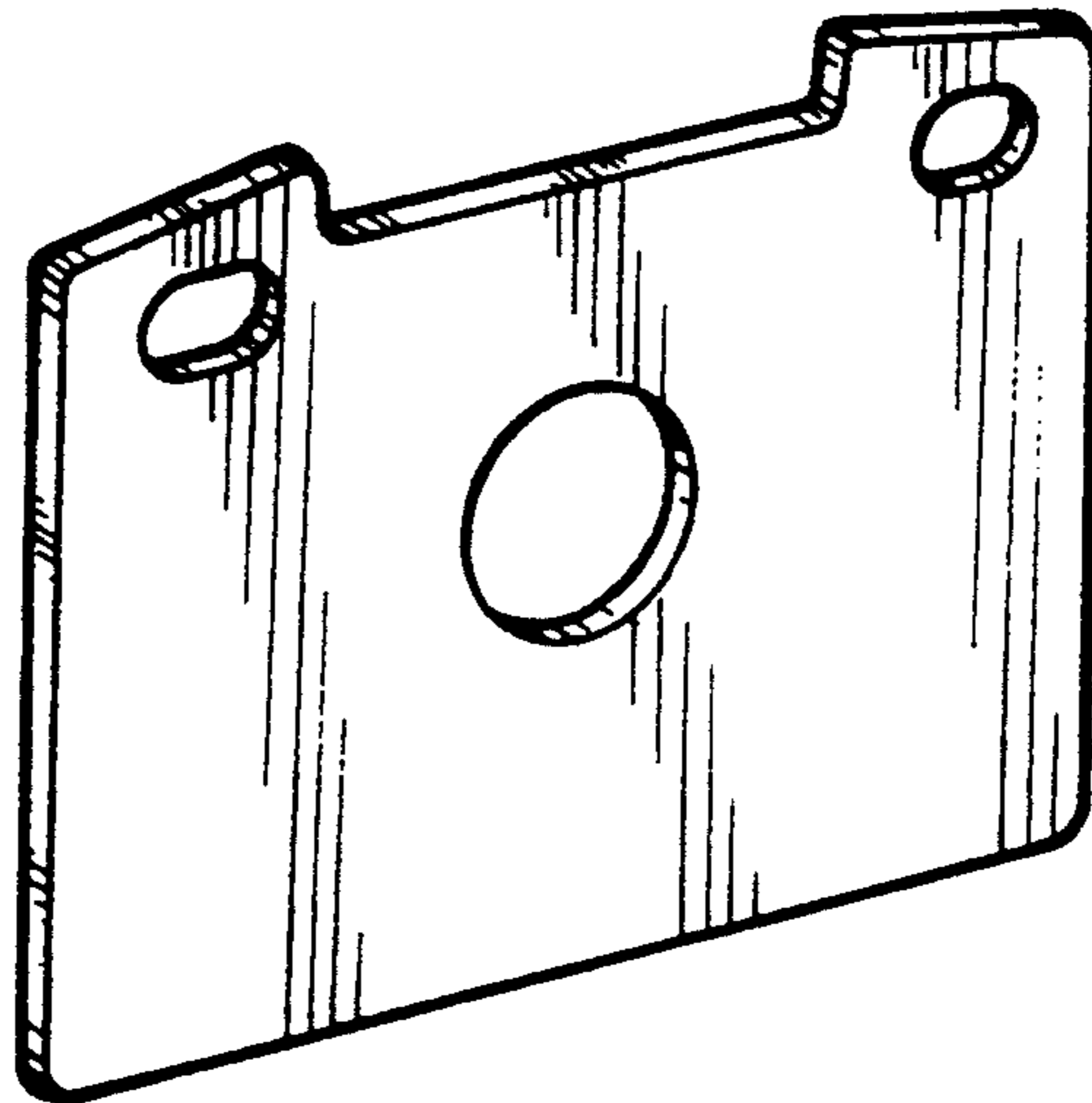
[62] Division of Ser. No. 798,407, Nov. 26, 1991, Pat. No. Des. 341,808.

[52] U.S. Cl. **D12/180**

[58] Field of Search 188/73.1, 250 B;
D12/180

DESCRIPTION

FIG. 1 is a perspective view of a disc brake shim showing our new design;
FIG. 2 is a front elevational view thereof;
FIG. 3 is a top plan view thereof;
FIG. 4 is a bottom plan view thereof; and,
FIG. 5 is a side view thereof, the opposite side being a mirror image of the side shown.



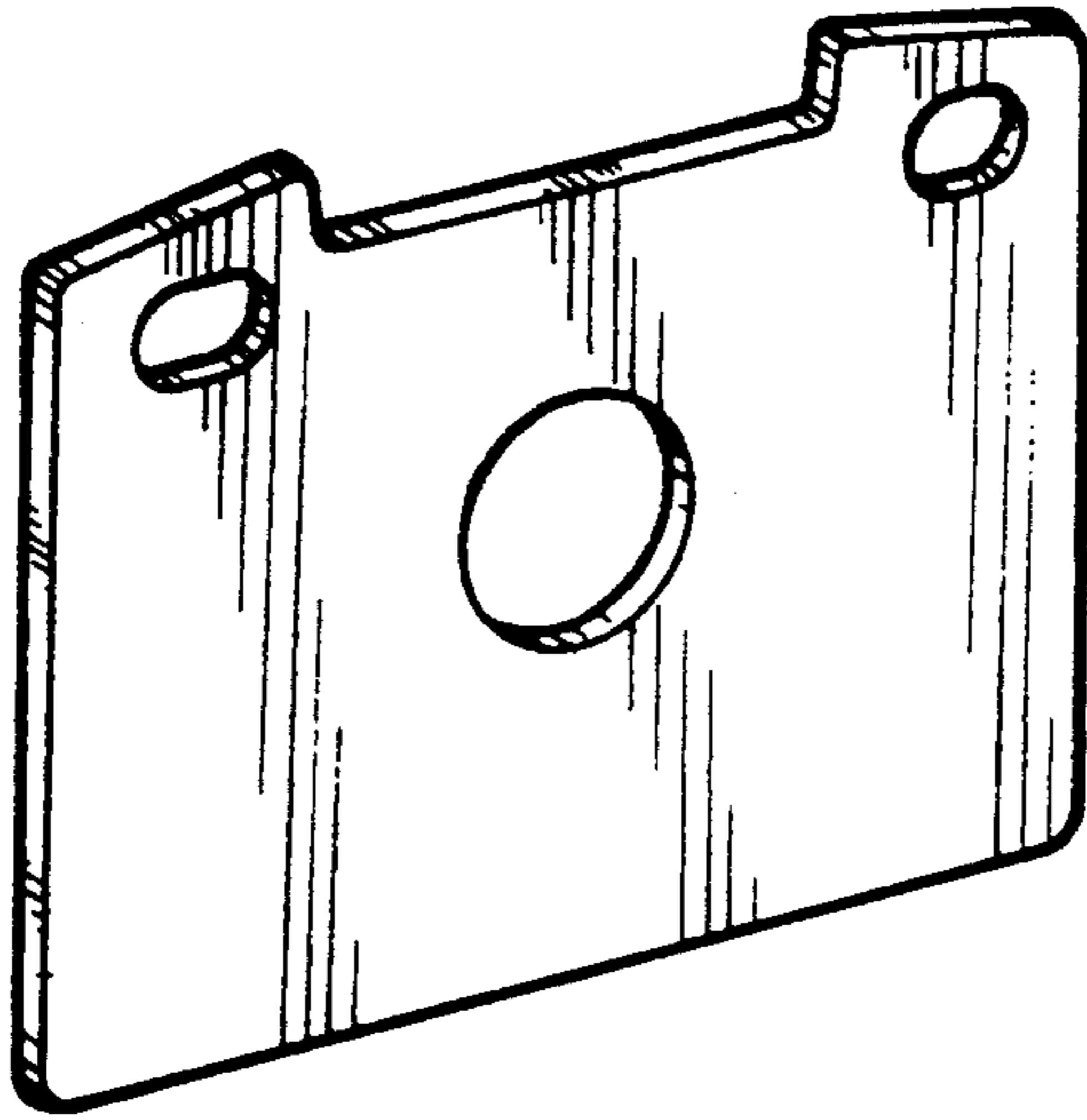


Fig-1

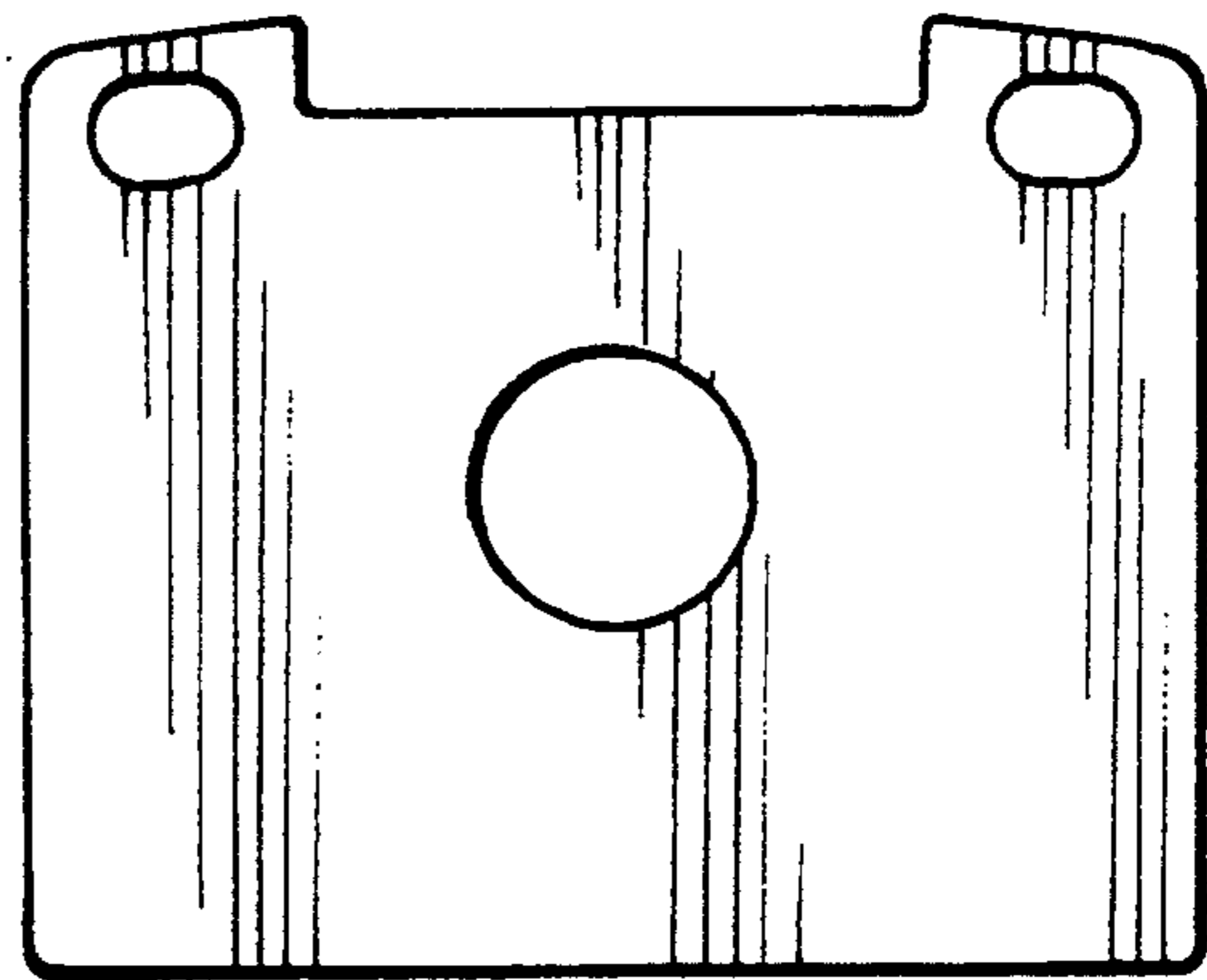


Fig-2



Fig-3

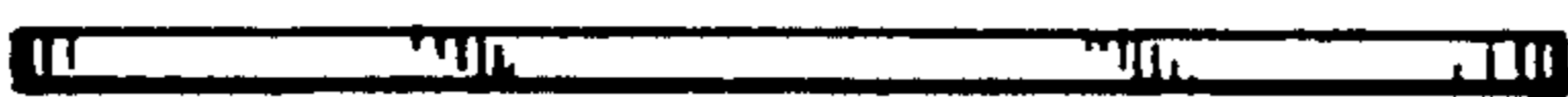


Fig-4



Fig-5