



US00D350509S

United States Patent [19] Killian

[11] Patent Number: **Des. 350,509**
[45] Date of Patent: **** Sep. 13, 1994**

[54] TIRE

[75] Inventor: **Laurie W. Killian**, Louisville, Ky.

[73] Assignee: **Michelin Recherche et Technique S.A.**, Granges-Paccot, Switzerland

[**] Term: **14 Years**

[21] Appl. No.: **843**

[22] Filed: **Oct. 26, 1992**

[52] U.S. Cl. **D12/146**

[58] Field of Search 152/209 R, 209 A, 209 B,
152/209 D; D12/136, 140, 145-148

[56] References Cited

U.S. PATENT DOCUMENTS

D. 274,805	7/1984	Dalmas	D12/146
D. 294,929	3/1988	Clemens	D12/147
D. 317,145	5/1991	Iwamura	D12/146
D. 328,444	8/1992	Graas	D12/147

FOREIGN PATENT DOCUMENTS

2128907	5/1990	Japan	152/209 R
3121910	5/1991	Japan	152/209 R

OTHER PUBLICATIONS

1991 Tread Design Guide, p. 13, Big O Legacy Plus Tire, top center of page.

1991 Tread Design Guide, p. 38, Hercules Superior Metric 70 Tire, second tire in from top left side of page.

1991 Tread Design Guide, p. 115, Hallmark Land Rover D/T Tire, top left side of page.

Tread Design Guide 1990 Kelly Springfield Metric 100 p. 43.

Tread Design Guide 1991 Big O Legacy MX p. 13.

Tread Design Guide 1991 B.F. Goodrich the Advantage p. 34.

Primary Examiner—James M. Gandy

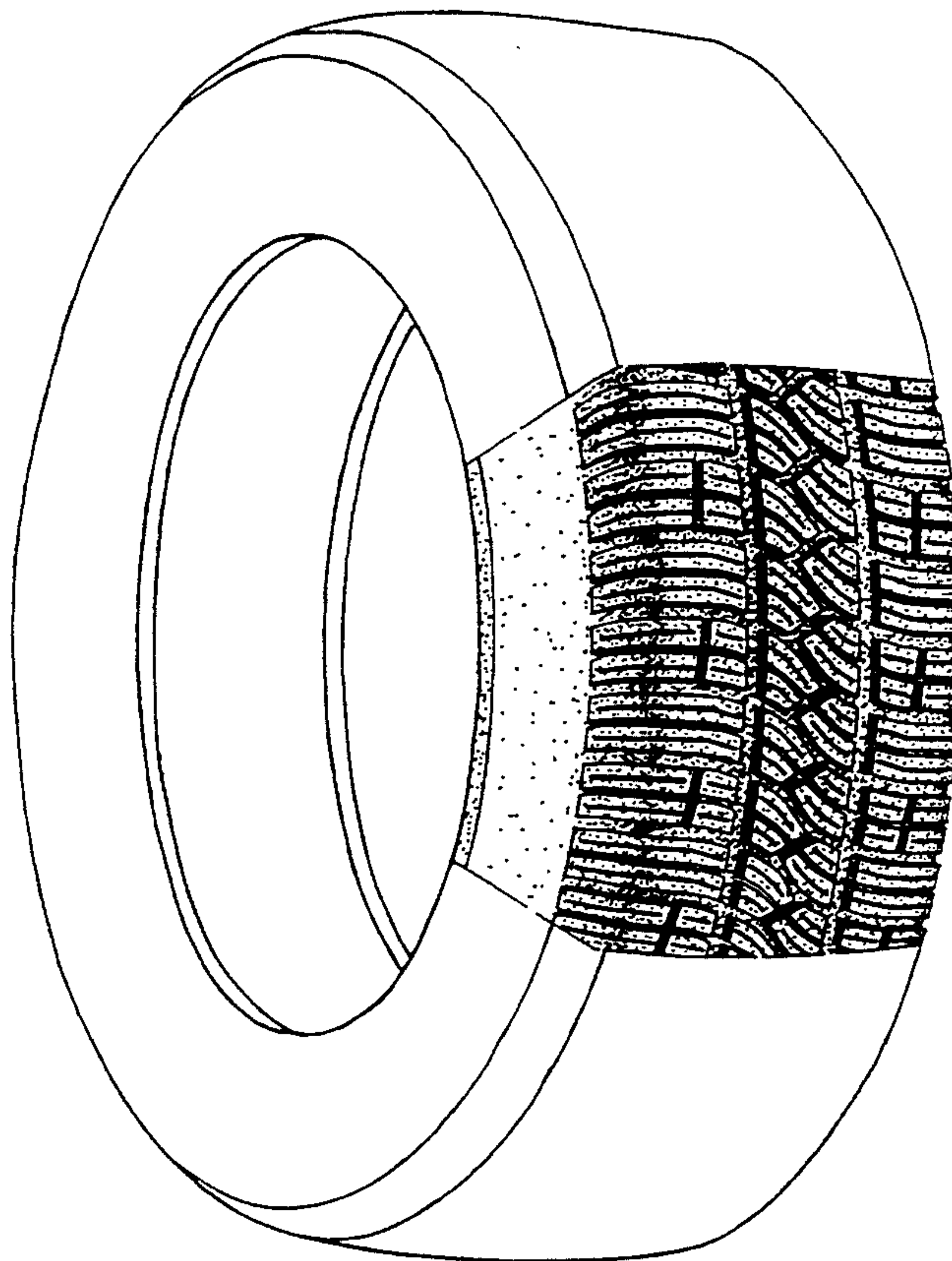
Attorney, Agent, or Firm—Robert R. Reed; Alan A. Csontos

[57] CLAIM

The ornamental design for a tire, as shown and described.

DESCRIPTION

FIG. 1 is a perspective view of a tire showing my new design, it being understood that the tread pattern is repeated throughout the circumference of the tire, as shown schematically by solid lines, the opposite side being substantially the same as that illustrated; and, FIG. 2 is an enlarged fragmentary plan view of the tread pattern of FIG. 1 showing my new design.



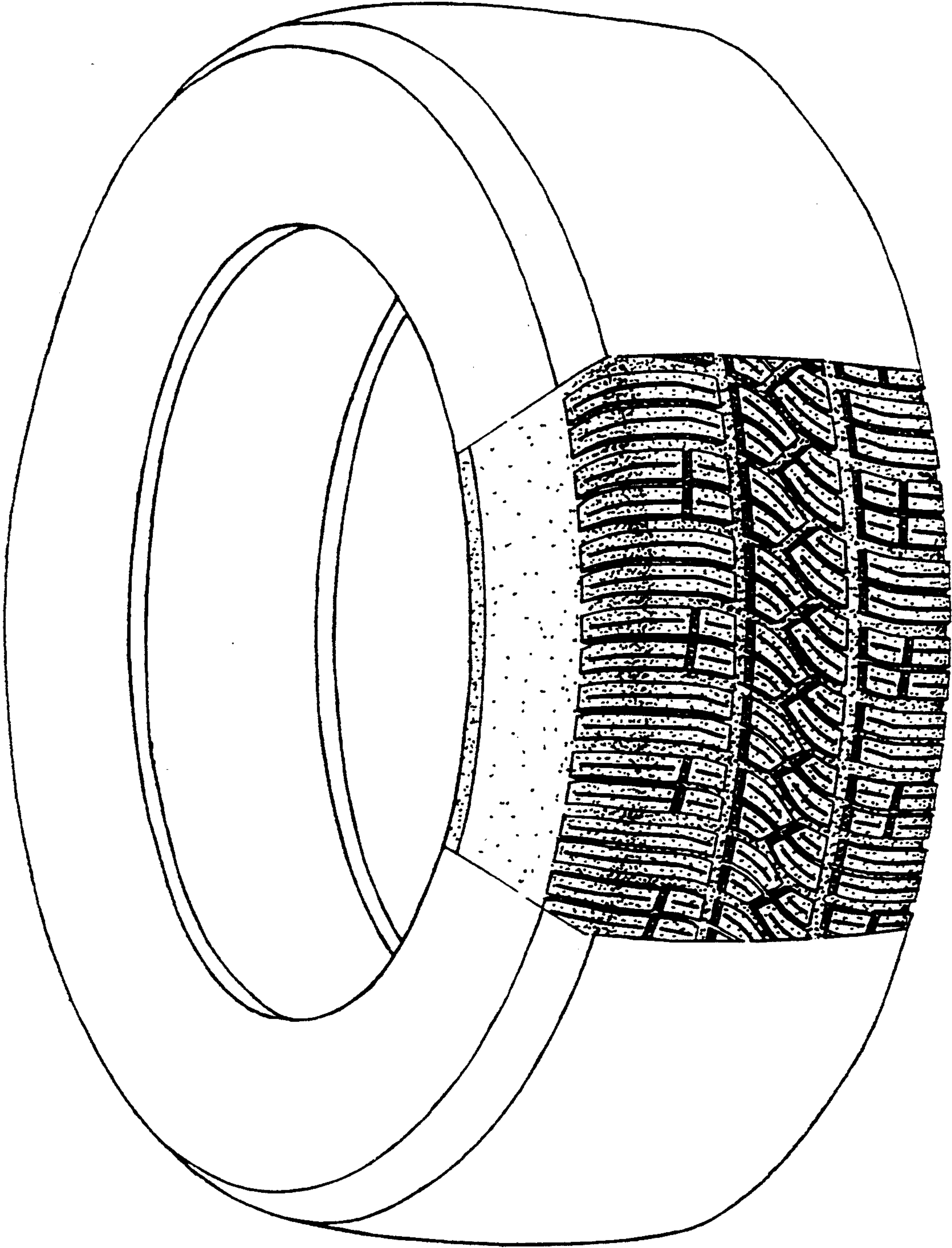


Fig. 1

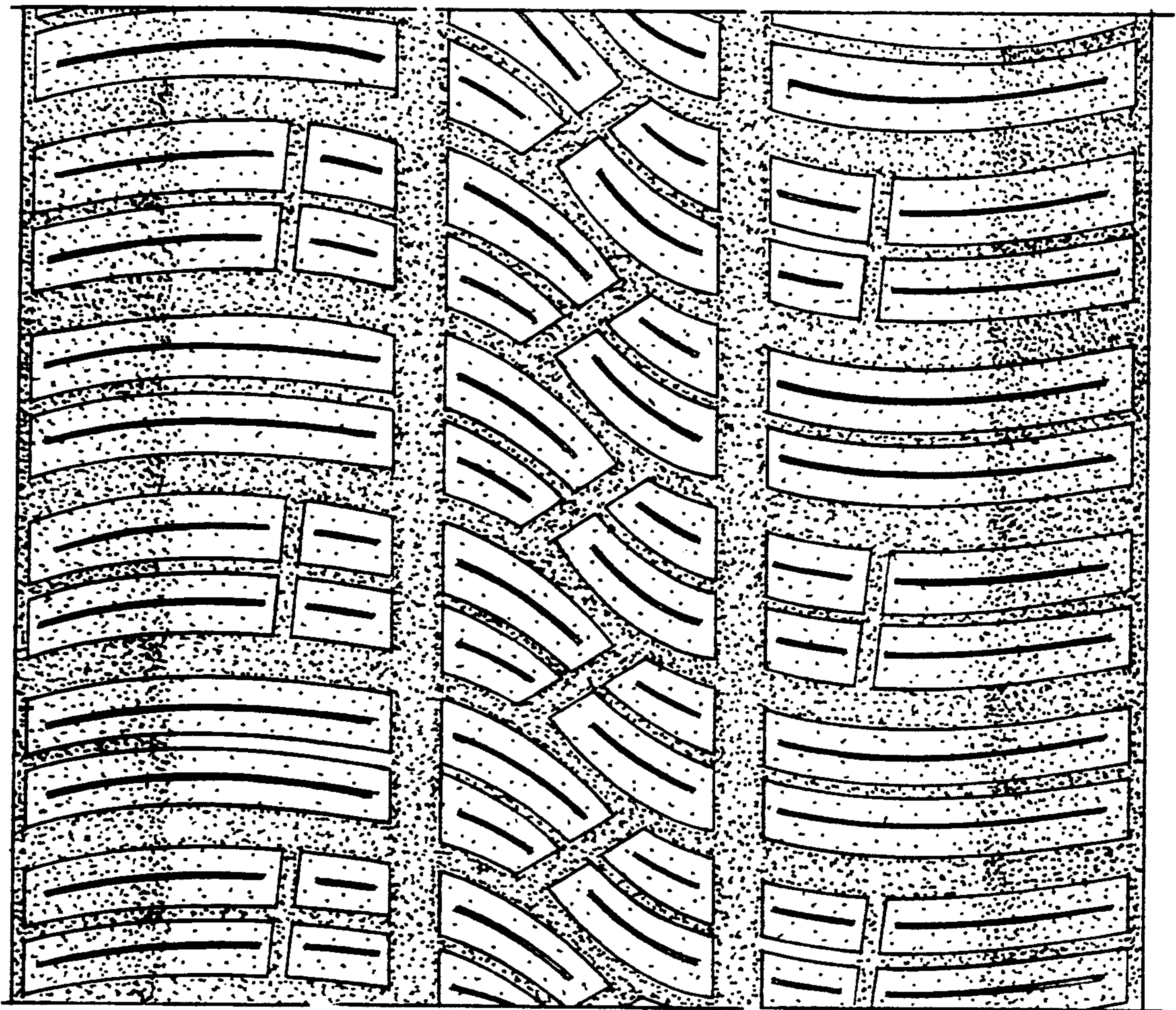


Fig. 2