



US00D350508S

United States Patent [19]

[11] Patent Number: **Des. 350,508**

Evraert

[45] Date of Patent: **** Sep. 13, 1994**

[54] TIRE

[75] Inventor: **Bruno Evraert**, Taylors, S.C.

[73] Assignee: **Michelin Recherche et Technique S.A.**, Granges-Paccot, Switzerland

[**] Term: **14 Years**

[21] Appl. No.: **5,009**

[22] Filed: **Feb. 19, 1993**

[52] U.S. Cl. **D12/146**

[58] Field of Search 152/209 R, 209 B, 209 D;
D12/146-151

Tread Design Guide 1988, p. 17, Bridgestone RD-610 Steel Desert Dueler.

Tread Design Guide 1992, p. 38, Fulda Kristall 3.

Tread Design Guide 1992, p. 53, Michelin MXT4.

Tread Design Guide 1992, p. 68, Sigma, Grand Sport Radial G/T 60.

Tread Design Guide 1992, p. 73, Sumitomo SC 870.

Tread Design Guide 1992, p. 153, Firestone Transteel Traction Drive.

Primary Examiner—James M. Gandy

Attorney, Agent, or Firm—Robert R. Reed; Alan A. Csontos

[57] CLAIM

The ornamental design for a tire, as shown and described.

DESCRIPTION

FIG. 1 is a perspective view of a tire showing my new design, it being understood that the tread pattern is repeated throughout the circumference of the tire, as shown schematically by solid lines, the opposite side being substantially the same as that illustrated; and, FIG. 2 is an enlarged fragmentary front elevation view of the tread pattern of FIG. 1 showing my new design.

[56] References Cited

U.S. PATENT DOCUMENTS

D. 274,715	7/1984	Baumgardner	D12/147
D. 334,362	3/1993	Stone et al.	D12/147
D. 341,345	11/1993	Killian	D12/146

OTHER PUBLICATIONS

1992 Tread Design Guide, p. 26, Co-Op Pacemark VR (V-Rated) Tire, second tire in from top right side of page.

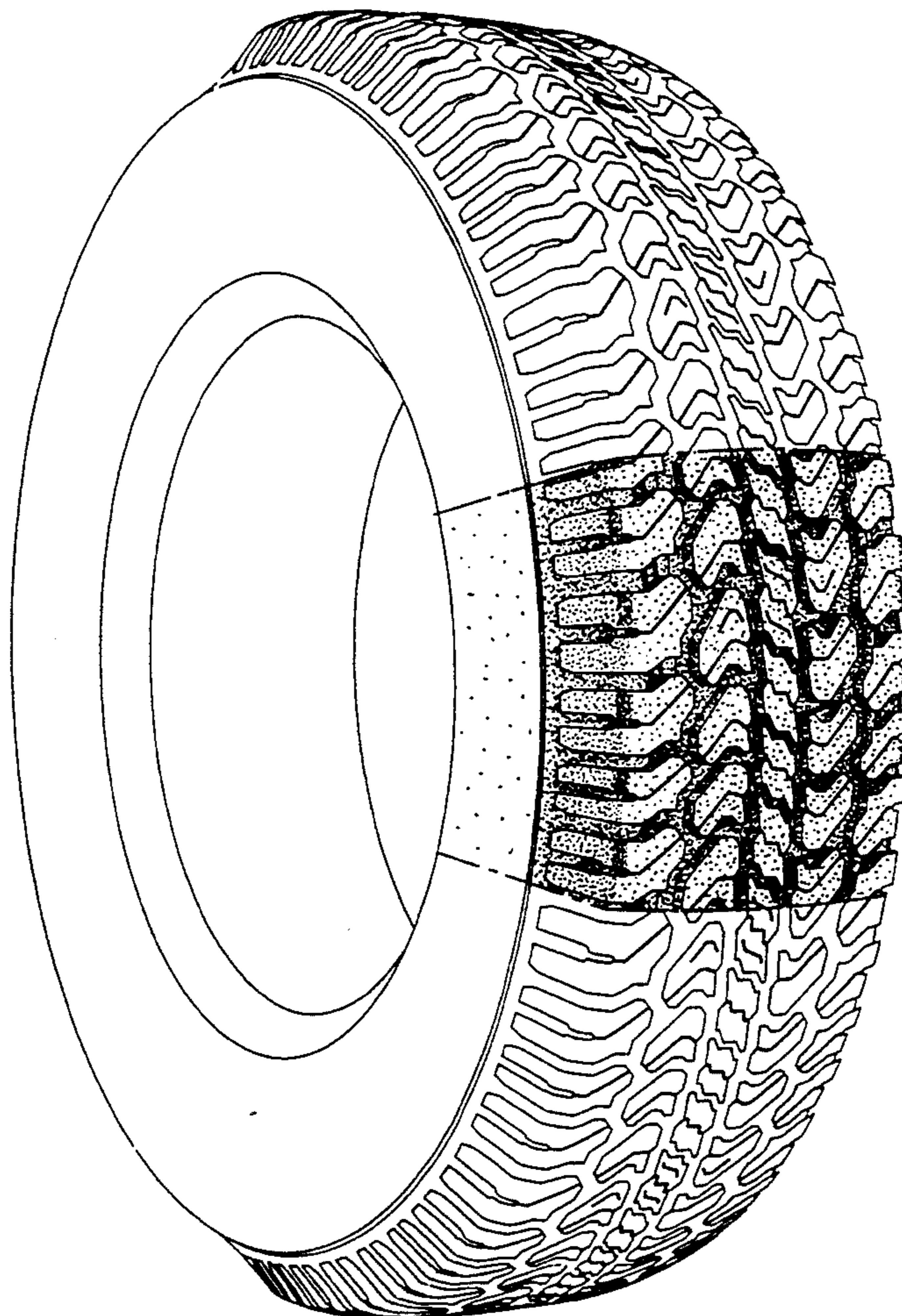


Fig. 1

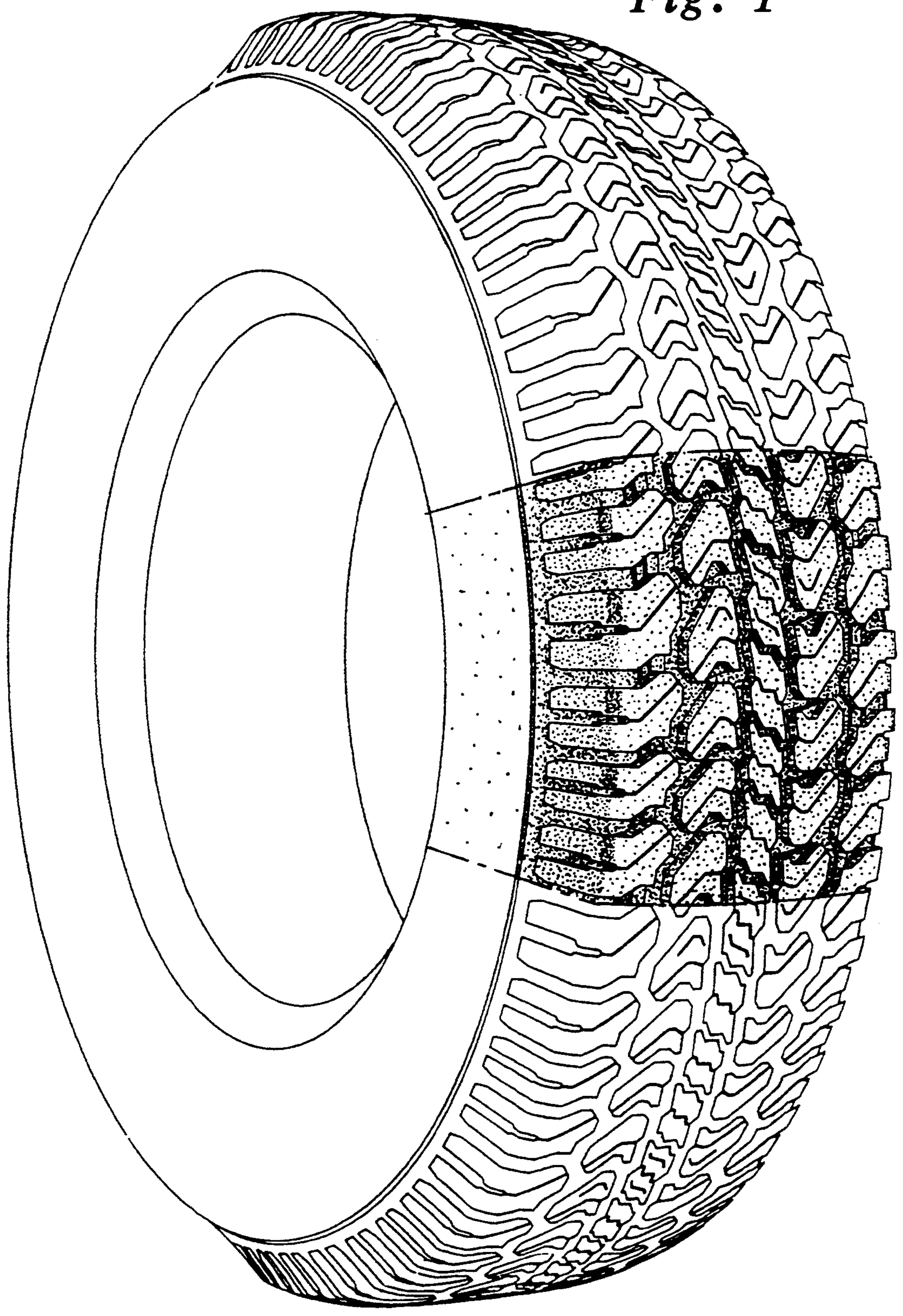


Fig. 2

