



US00D350506S

# United States Patent [19]

[11] Patent Number: **Des. 350,506**

Kaneko et al.

[45] Date of Patent: **\*\* Sep. 13, 1994**

[54] **CHAIR FOR BABY**

[75] Inventors: **Tomihisa Kaneko; Tomihiro Kaneko,**  
both of Tokyo, Japan

[73] Assignee: **Combi Corp.,** Tokyo, Japan

[\*\*] Term: **14 Years**

[21] Appl. No.: **6,993**

[22] Filed: **Apr. 13, 1993**

[30] **Foreign Application Priority Data**

Oct. 23, 1992 [JP] Japan ..... 4-31122

[52] U.S. Cl. .... **D12/129; D6/333**

[58] Field of Search ..... **D6/329, 333, 339;**  
**297/148-150, 153, 250.1, 256.15, 467, 485, 487,**  
**488, 219.12; D12/129**

[56] **References Cited**

**U.S. PATENT DOCUMENTS**

D. 244,521 5/1977 Burrige ..... D6/339 X  
D. 291,156 8/1987 Nakao et al. .... D6/339 X

D. 307,879 5/1990 Giambrone ..... D12/129  
D. 328,196 7/1992 Takahashi et al. .... D6/339  
D. 336,786 6/1993 Matsuda ..... D6/333  
4,786,064 11/1988 Baghdasarian ..... D12/129 X  
4,854,639 8/1989 Burleigh et al. .... 297/250.1

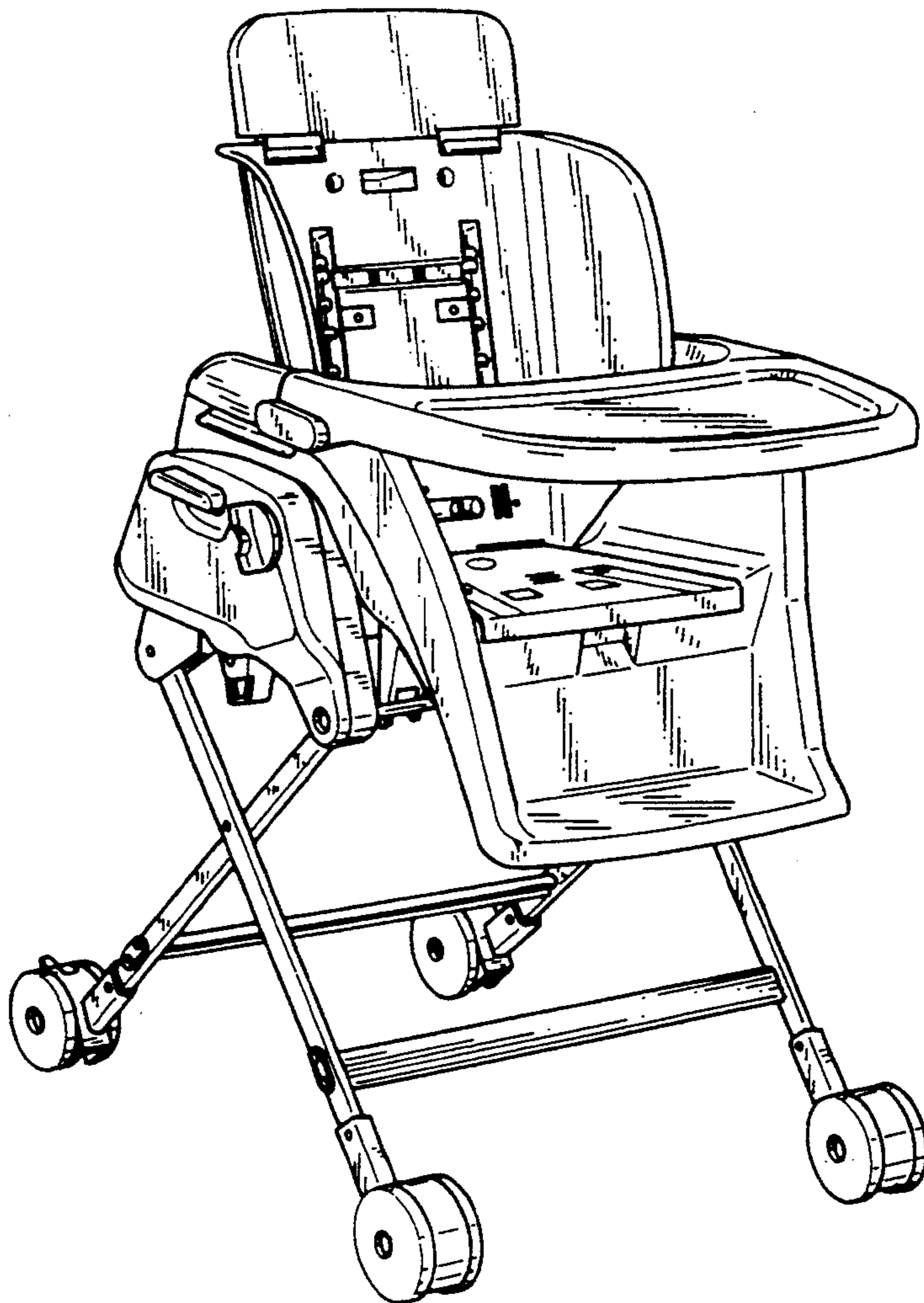
*Primary Examiner*—Janice E. Seeger  
*Attorney, Agent, or Firm*—Sughrue, Mion, Zinn,  
Macpeak & Seas

[57] **CLAIM**

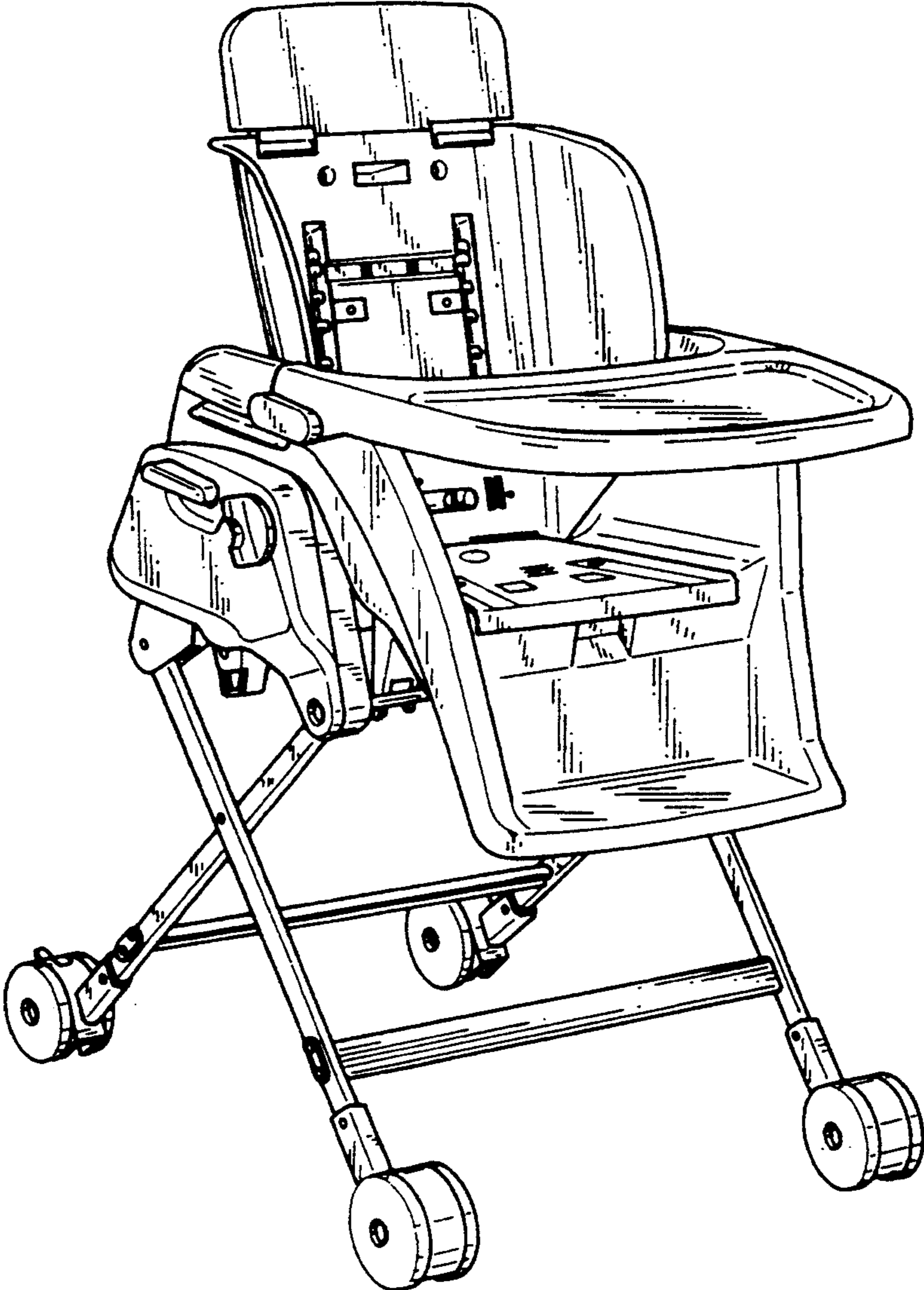
The ornamental design for a chair for baby, as shown and described.

**DESCRIPTION**

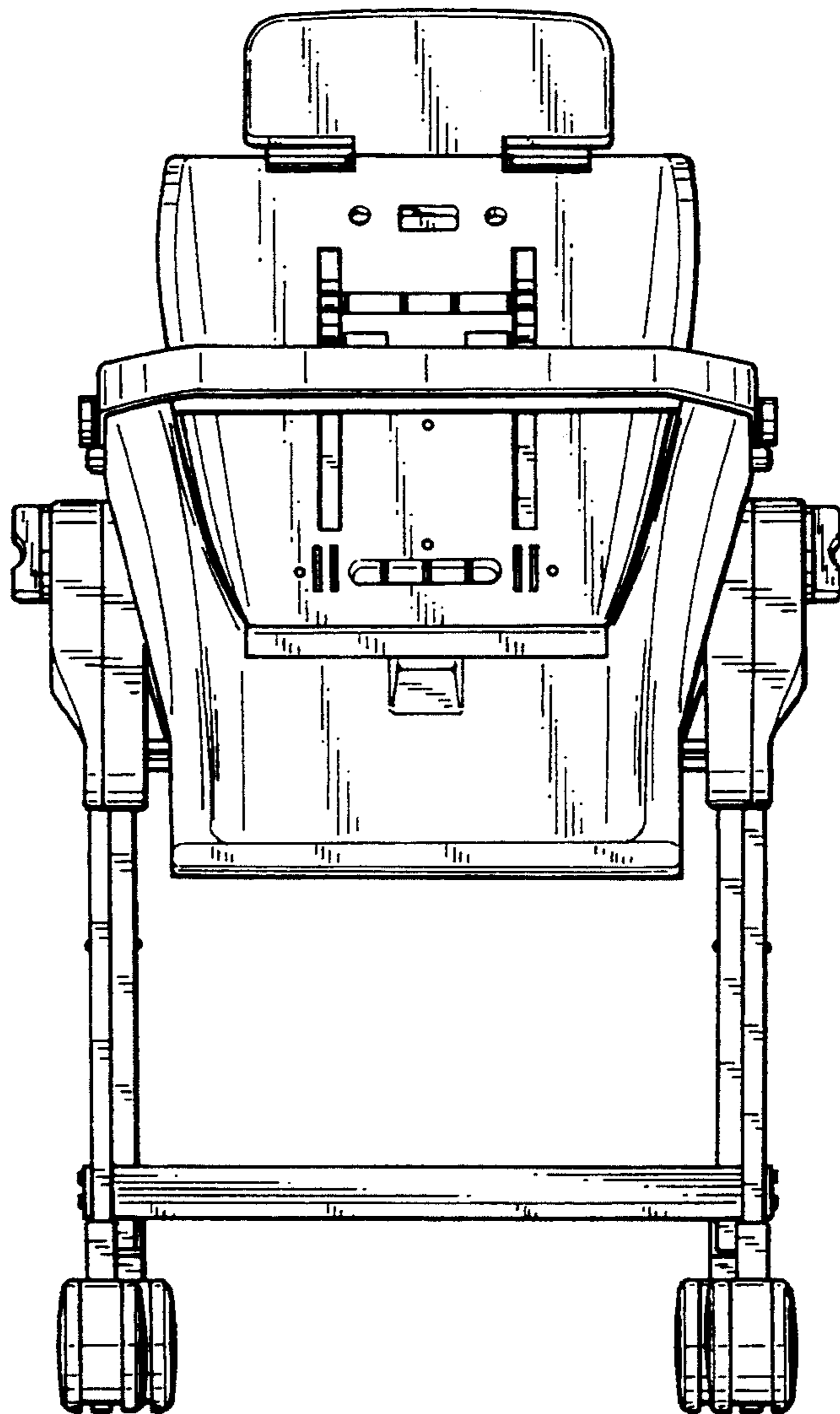
FIG. 1 is a front and left side perspective view of a chair for baby showing our new design;  
FIG. 2 is a front elevational view thereof;  
FIG. 3 is a rear elevational view thereof;  
FIG. 4 is a top plan view thereof;  
FIG. 5 is a bottom plan view thereof;  
FIG. 6 is a right side elevational view thereof; and,  
FIG. 7 is a left side elevational view thereof, in collapsed condition.



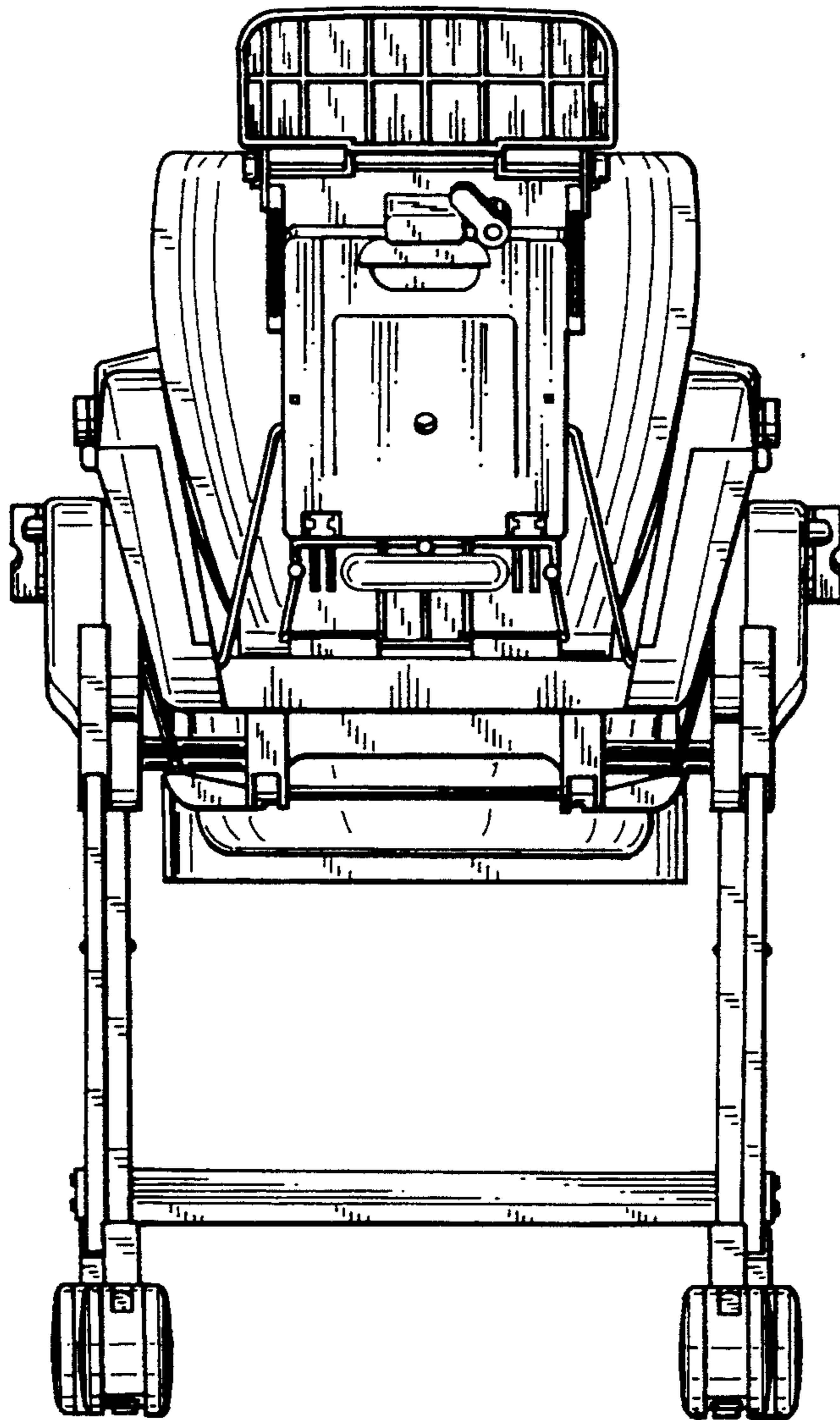
*Fig. 1*



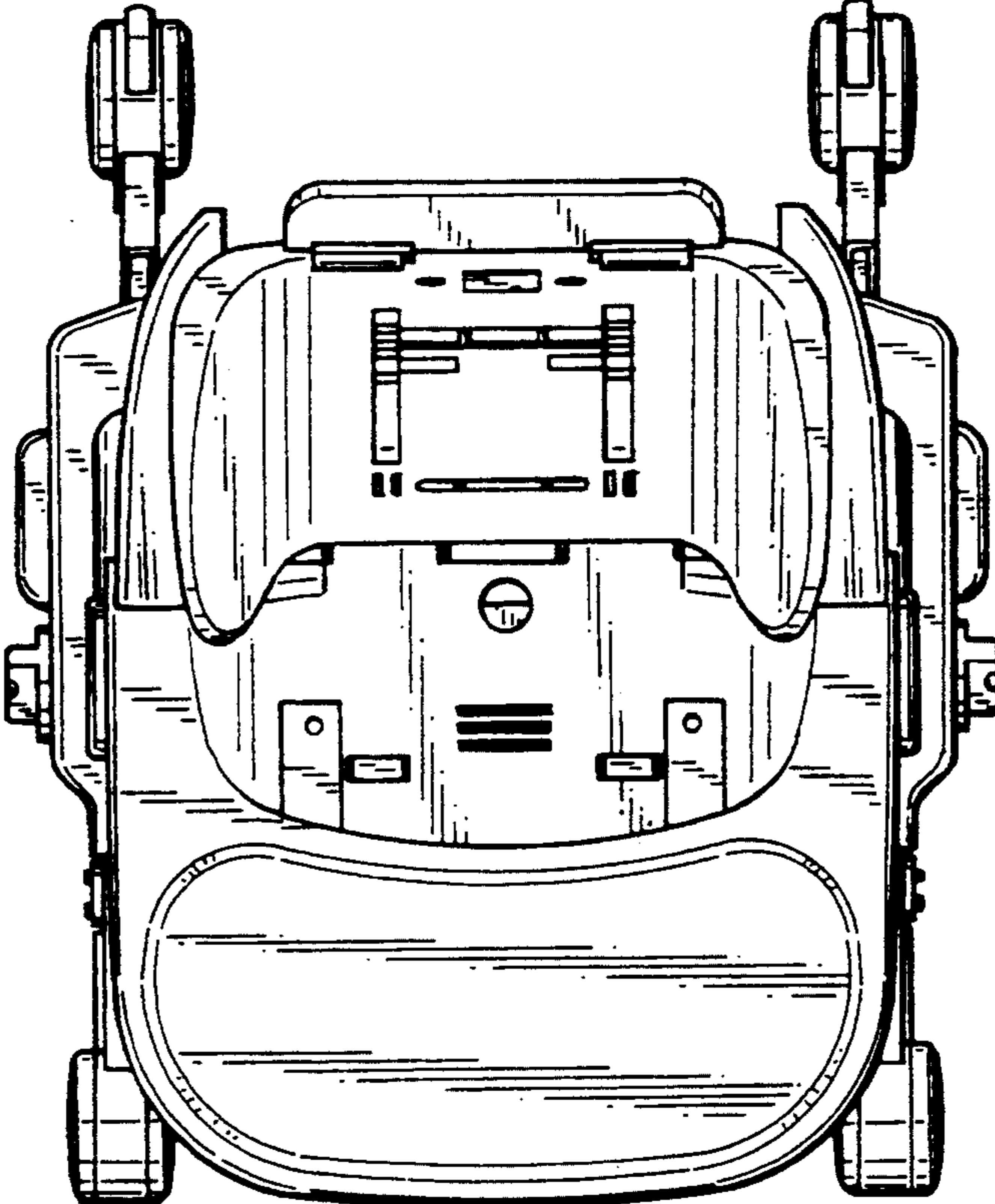
*Fig. 2*



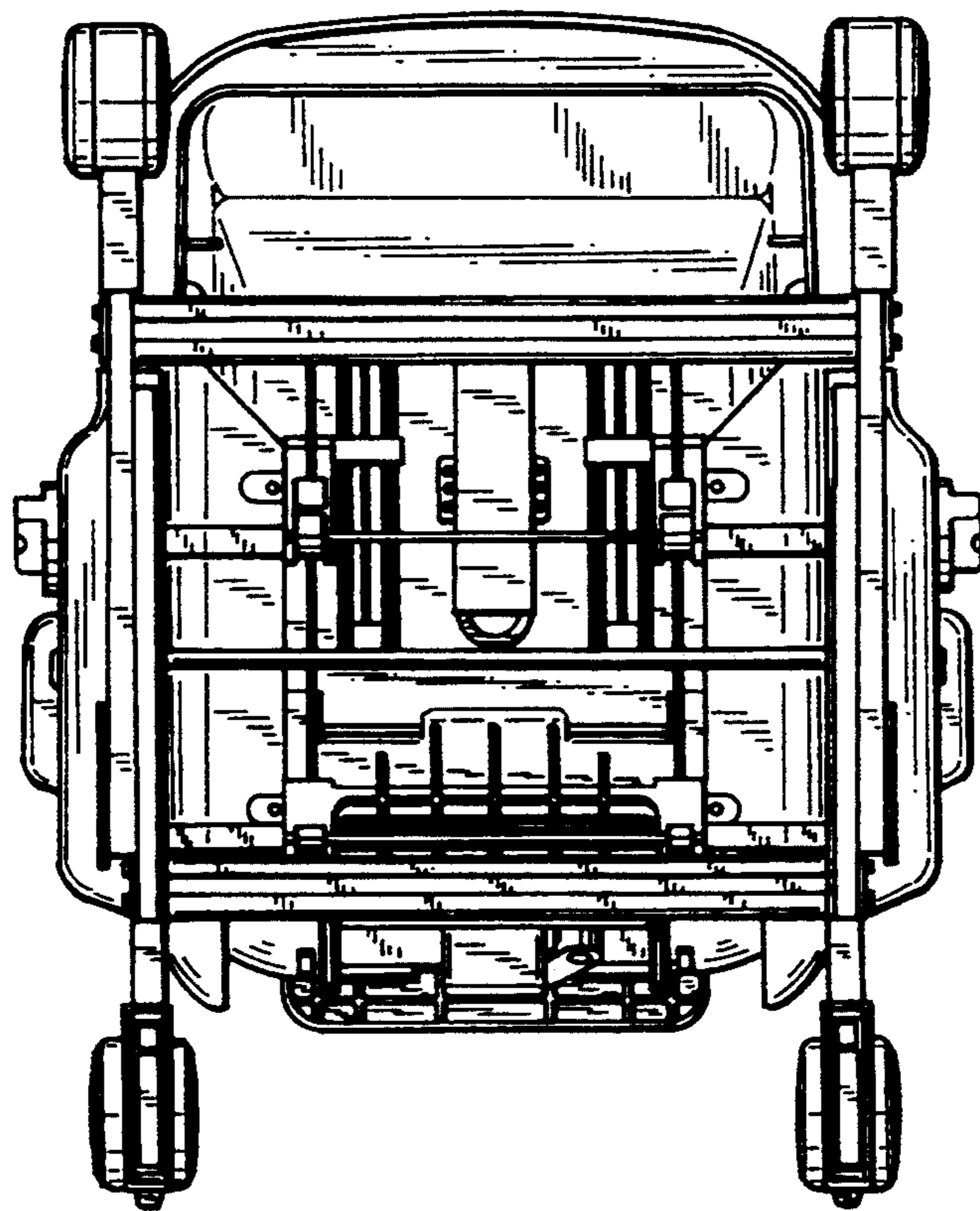
*Fig. 3*



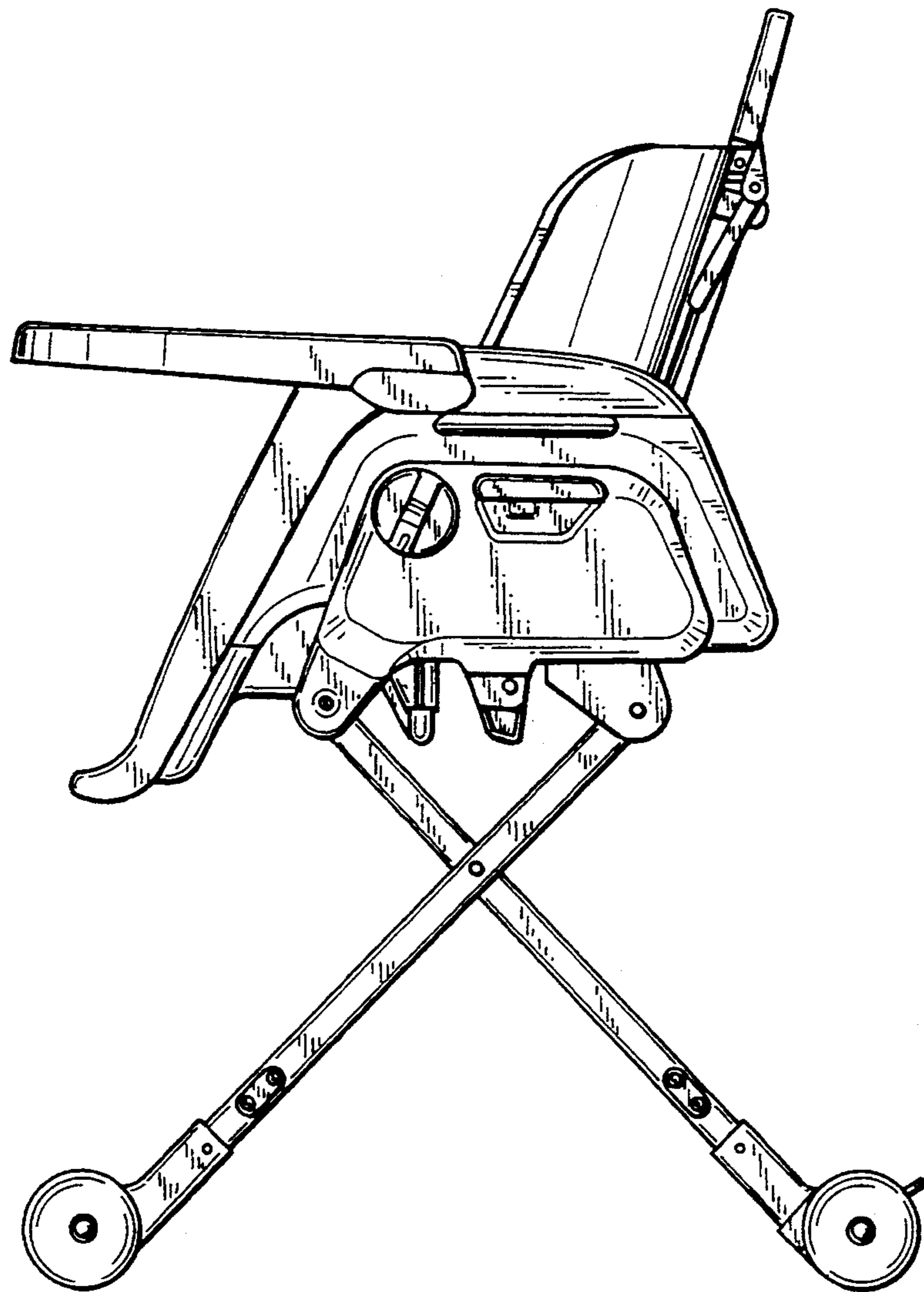
*Fig. 4*



*Fig. 5*



*Fig. 6*



*Fig. 7*

