



US00D350501S

**United States Patent** [19]  
**Schriever**

[11] **Patent Number: Des. 350,501**  
[45] **Date of Patent: \*\* Sep. 13, 1994**

[54] **SNAP FASTENER**  
[75] **Inventor: Frederick G. Schriever**, Grosse Pointe Shores, Mich.  
[73] **Assignee: Snap East Industries, Inc.**, Detroit, Mich.  
[\*\*] **Term: 14 Years**  
[21] **Appl. No.: 846,391**  
[22] **Filed: Mar. 4, 1992**  
[52] **U.S. Cl. .... D11/220**  
[58] **Field of Search .... 24/94, 95, 92, 113 R, 24/90 C, 90 E; D11/200, 222, 226, 220**

4,662,033 5/1987 Wieland, Jr. et al. .... 24/90 X

*Primary Examiner*—A. Hugo Word  
*Assistant Examiner*—Ralf T. Seifert  
*Attorney, Agent, or Firm*—Brooks & Kushman

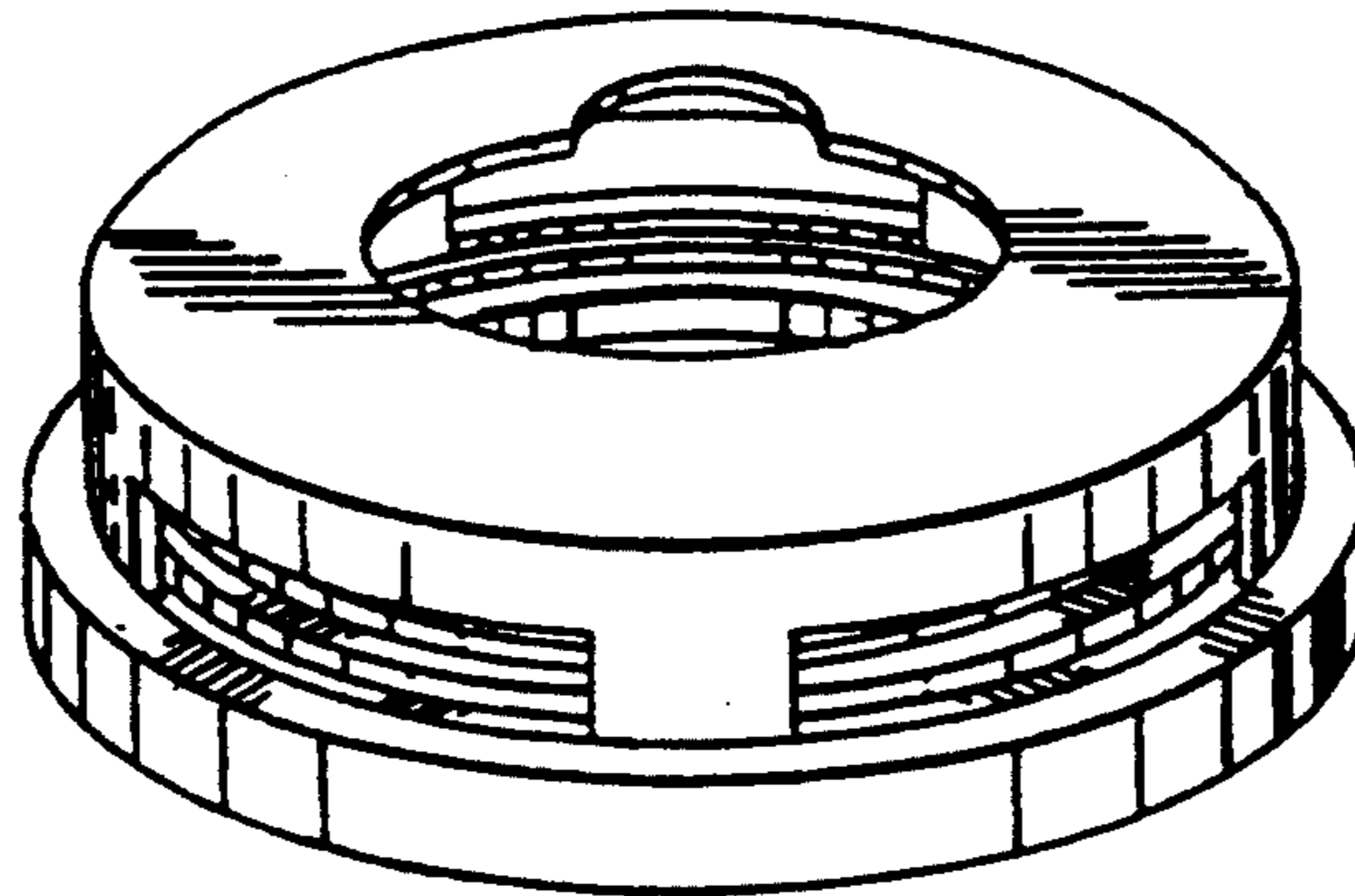
[57] **CLAIM**

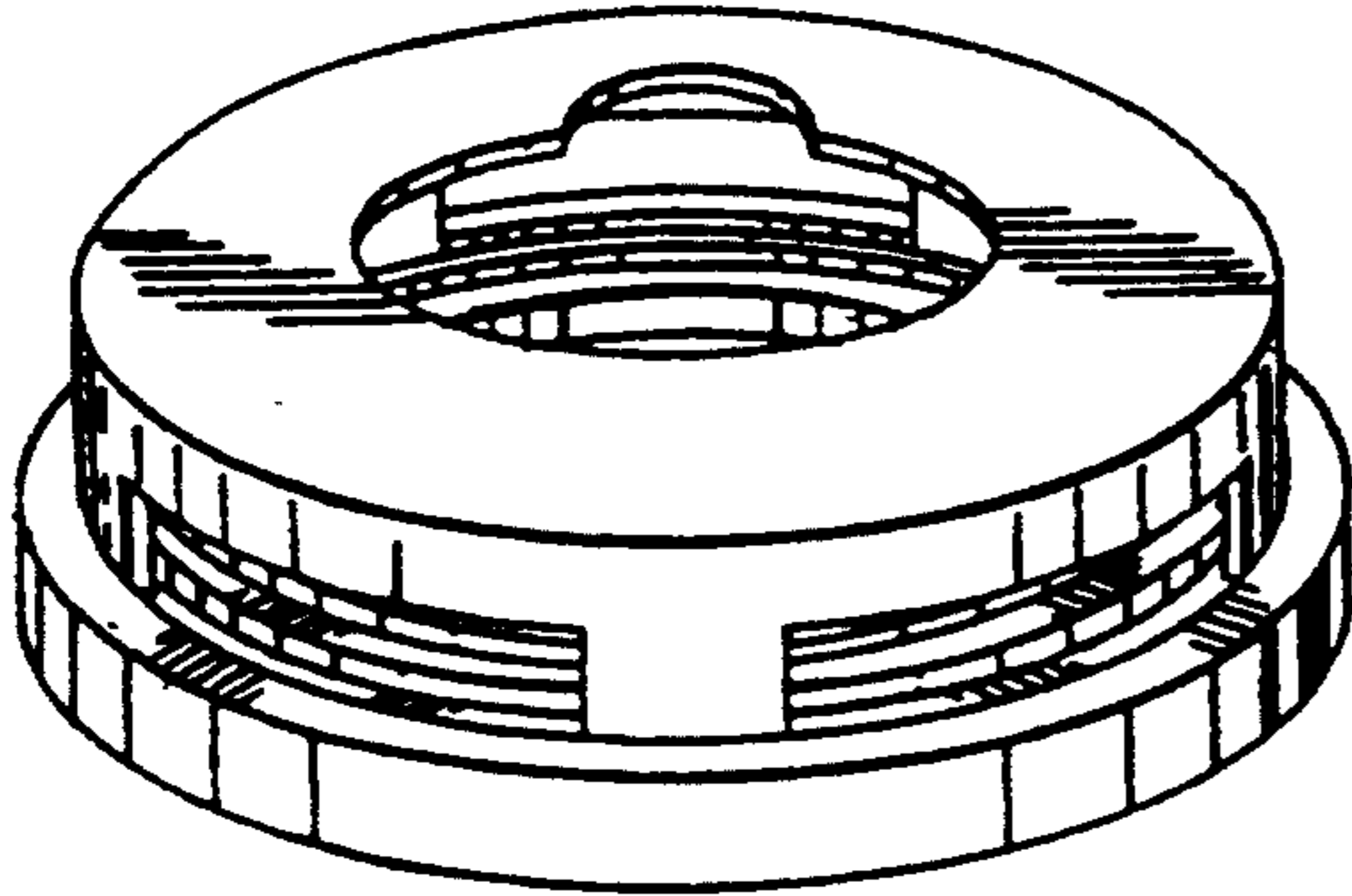
The ornamental design for a snap fastener, as shown and described.

**DESCRIPTION**

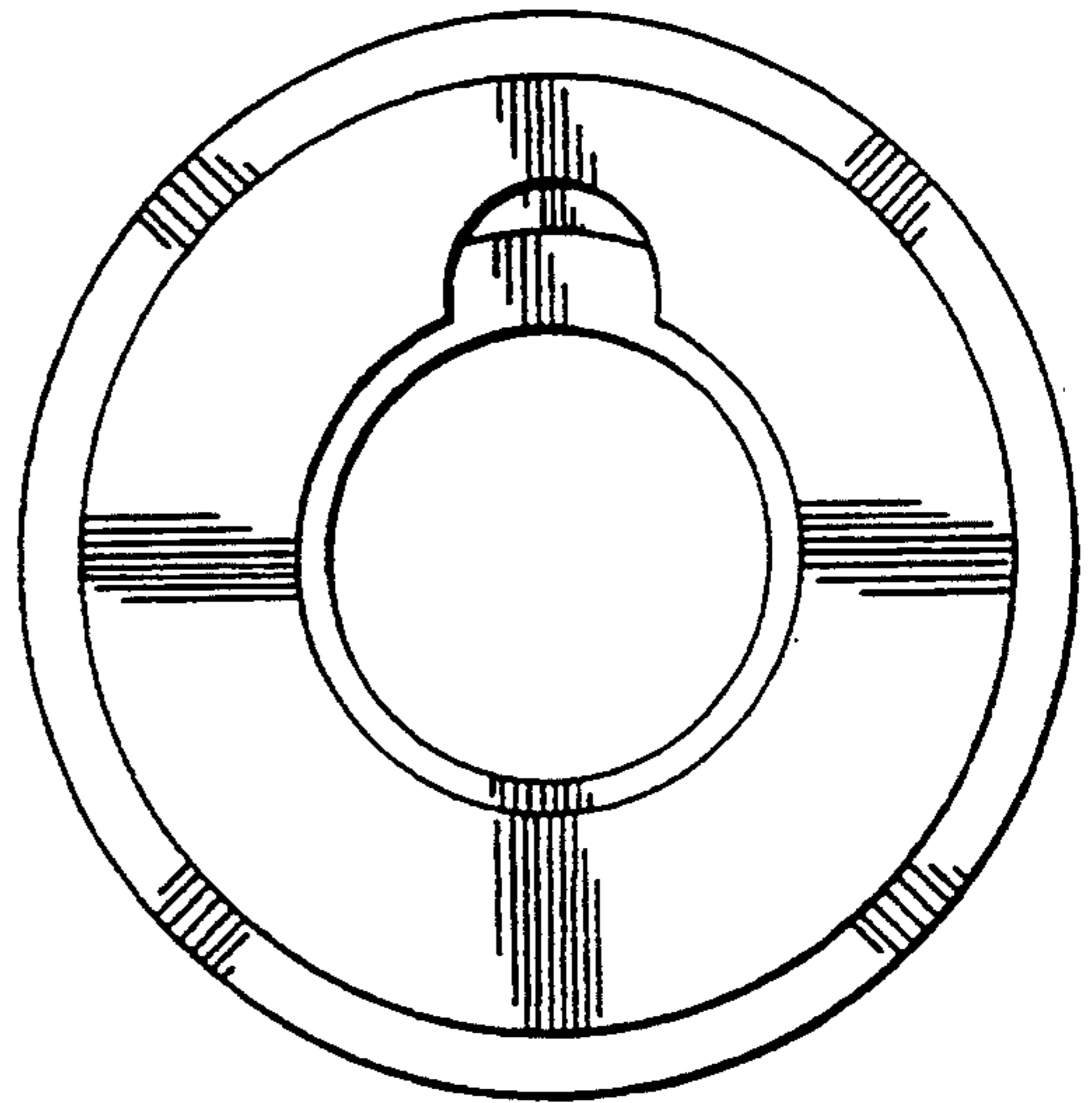
FIG. 1 is a perspective view of an assembled snap fastener showing my new design with fabric to which it is applied being indicated in phantom outline;  
FIG. 2 is a top view of the assembled snap fastener of FIG. 1 showing my new design;  
FIG. 3 is a side view of the assembled snap fastener of FIG. 1 showing my new design; and,  
FIG. 4 is a bottom view of the assembled snap fastener of FIG. 1 showing my new design.

[56] **References Cited**  
**U.S. PATENT DOCUMENTS**  
1,227,501 5/1917 Styles ..... 24/92 X  
3,182,369 5/1965 Lerne ..... 24/92

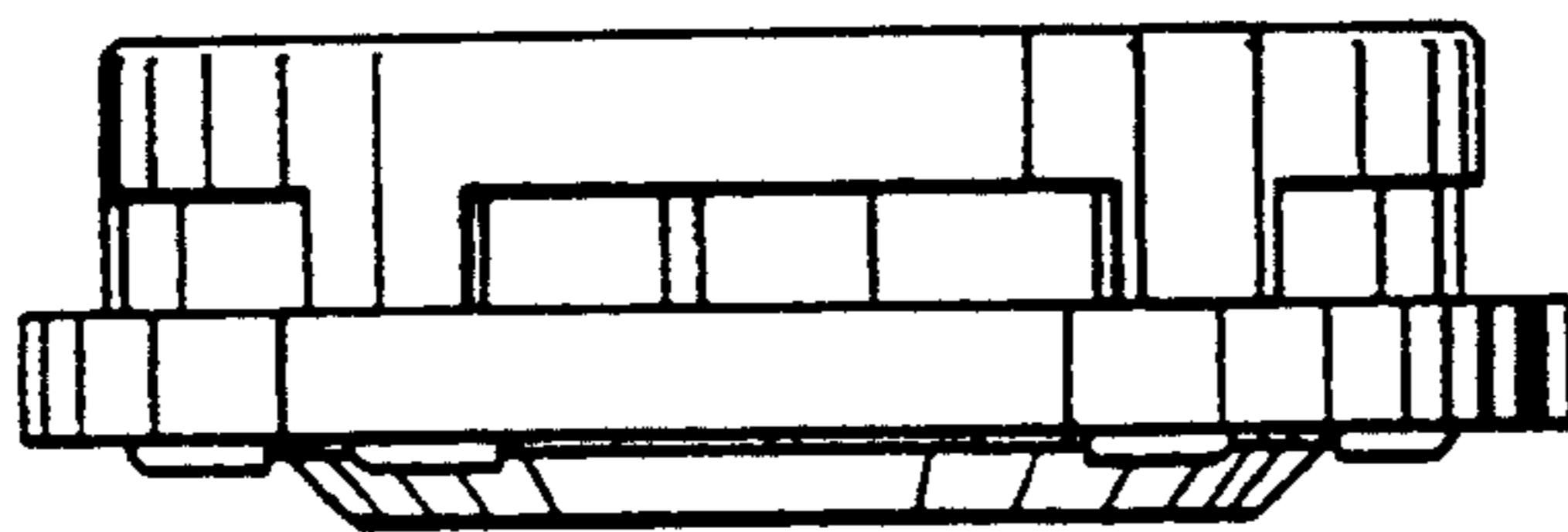




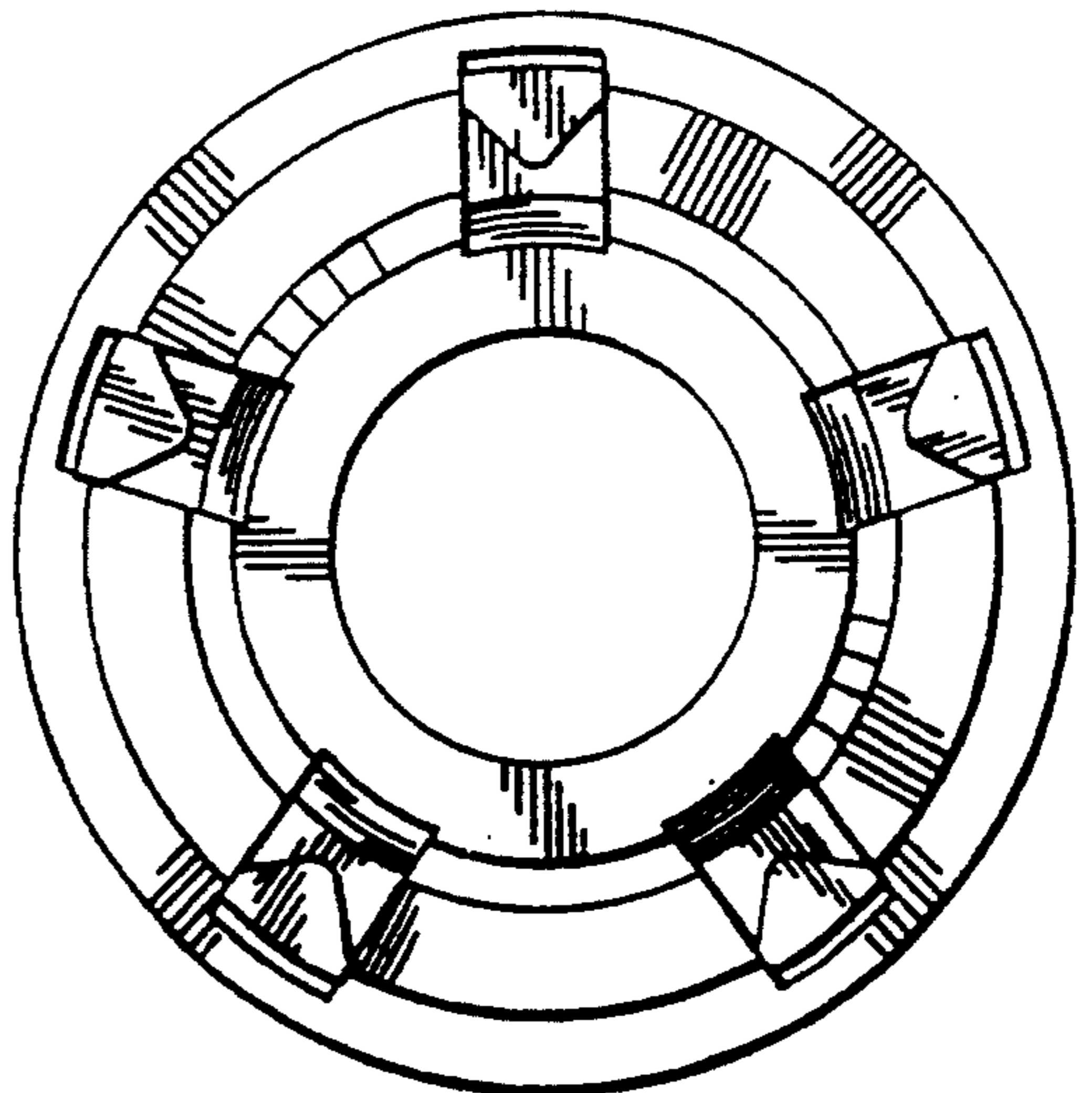
**fig-1**



**fig-2**



**fig-3**



**fig-4**