



US00D350496S

United States Patent [19]

[11] Patent Number: **Des. 350,496**

Shelton

[45] Date of Patent: **** Sep. 13, 1994**

[54] **SWIM GOGGLES**

[75] Inventor: **Robert N. Shelton**, Princeton, Mass.

[73] Assignee: **Aqua-Leisure Industries, Inc.**, Avon, Mass.

[**] Term: **14 Years**

[21] Appl. No.: **8,897**

[22] Filed: **May 28, 1993**

[52] U.S. Cl. **D16/303; D16/311**

[58] Field of Search 2/428, 430, 432, 436, 2/439, 440, 6.2; 351/44, 51, 105, 111, 112, 114, 116, 123, 158; 359/480, 482, 630; D16/102-122, 125, 127; D29/6, 9

4,264,987 5/1981 Runckel 2/428
 4,279,039 7/1981 Drew 2/428
 4,468,819 9/1984 Ohno 2/430
 4,755,040 7/1988 Haslbeck 2/428

OTHER PUBLICATIONS

Aqua-Leisure Industries, Inc. "Water Sports Buyer's Guide for 1993", #E1367.
 Intex Recreation 93 Inflatables and Swim Gear #59601.

Primary Examiner—Bernard Ansher
Assistant Examiner—R. Barkai
Attorney, Agent, or Firm—Wolf, Greenfield & Sacks

CLAIM

[57] The ornamental design for swim goggles, as shown and described.

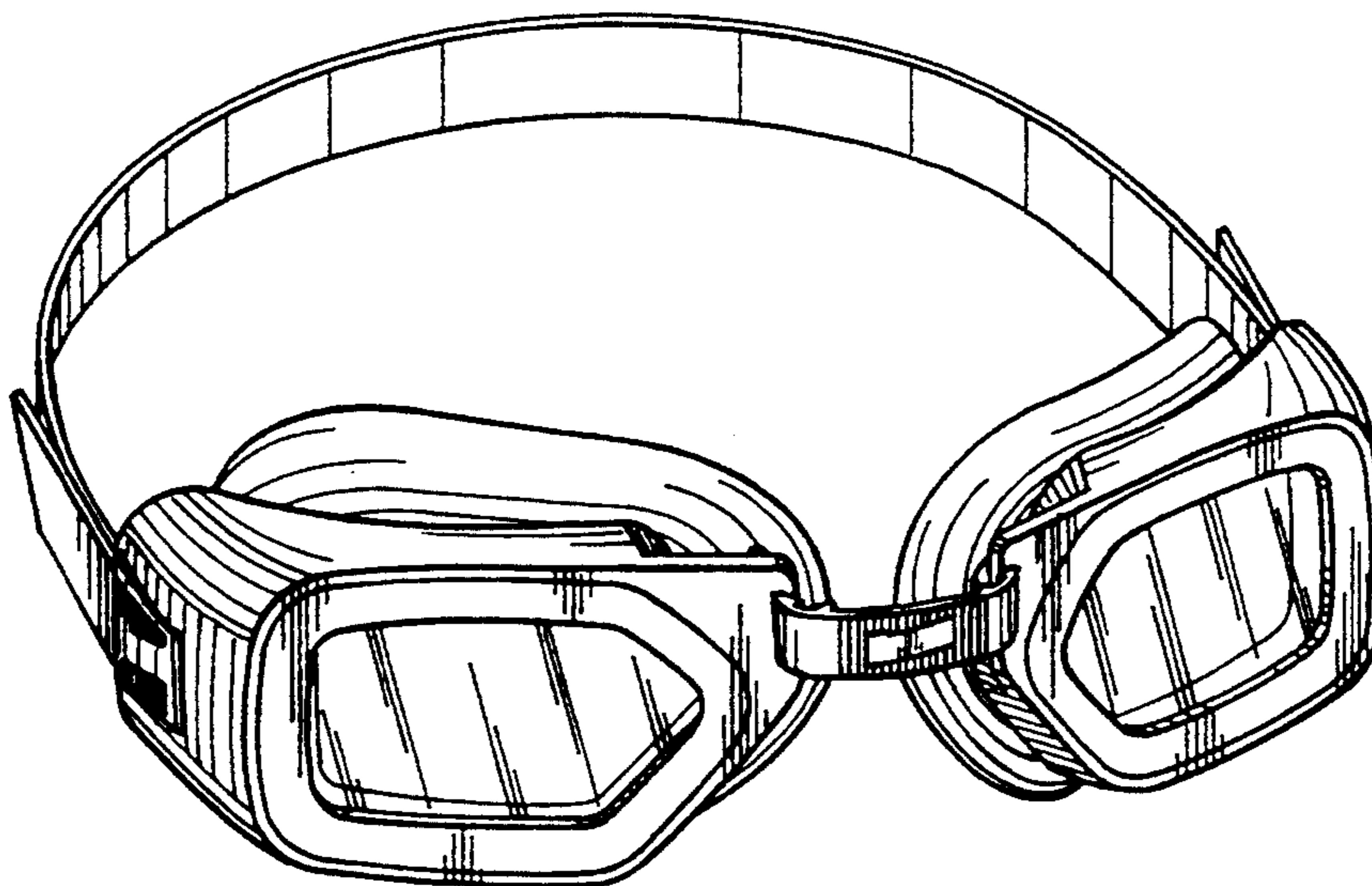
References Cited

U.S. PATENT DOCUMENTS

D. 105,312 7/1937 Young D16/107
 D. 237,757 11/1975 Turner 2/440
 D. 243,482 3/1977 Fireman D16/107
 D. 266,796 11/1982 Haslbeck D16/107
 D. 276,474 11/1984 Sheldon D16/107
 D. 277,614 2/1985 Fireman D2/234
 D. 282,500 2/1986 Fireman D16/107

DESCRIPTION

FIG. 1 is a front prospective view of the invention;
 FIG. 2 is a front view thereof;
 FIG. 3 is a right side view with a left sign view being a mirror image thereof;
 FIG. 4 is a rear view;
 FIG. 5 is a top view; and,
 FIG. 6 is a bottom view.



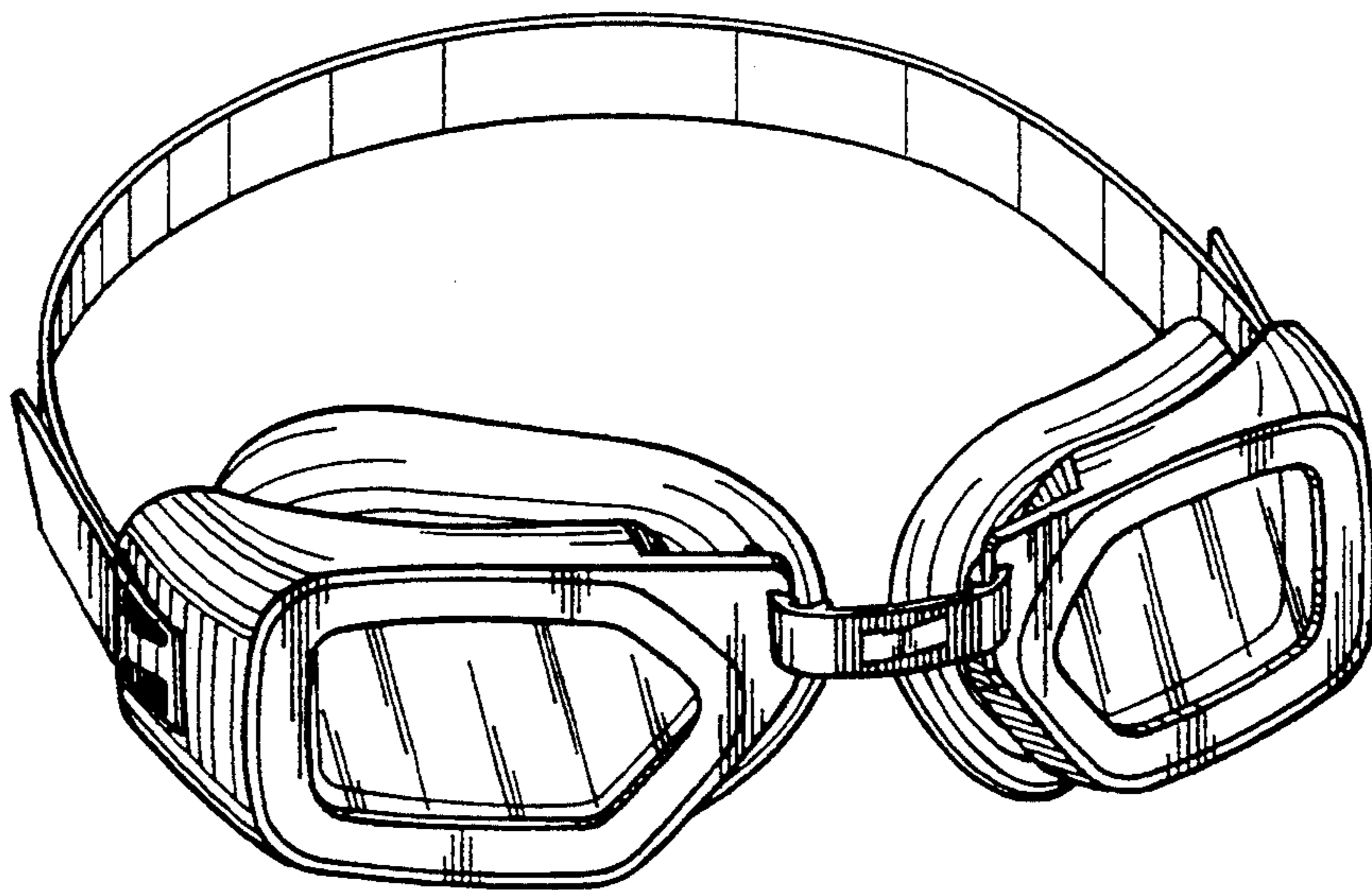


Fig. 1

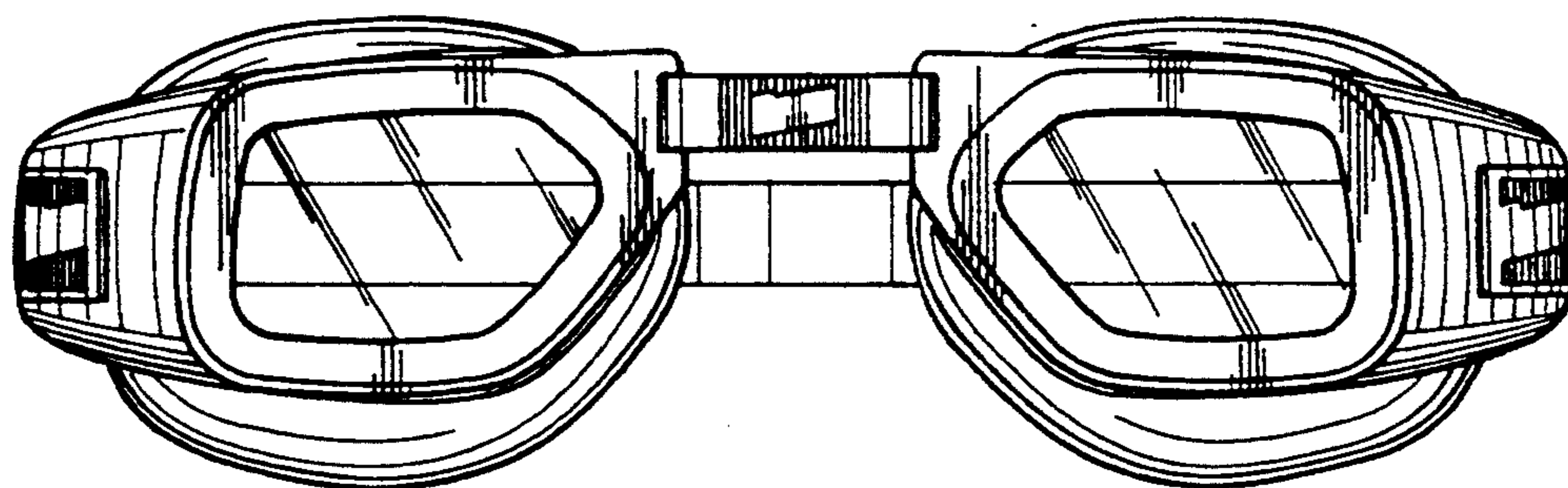


Fig. 2

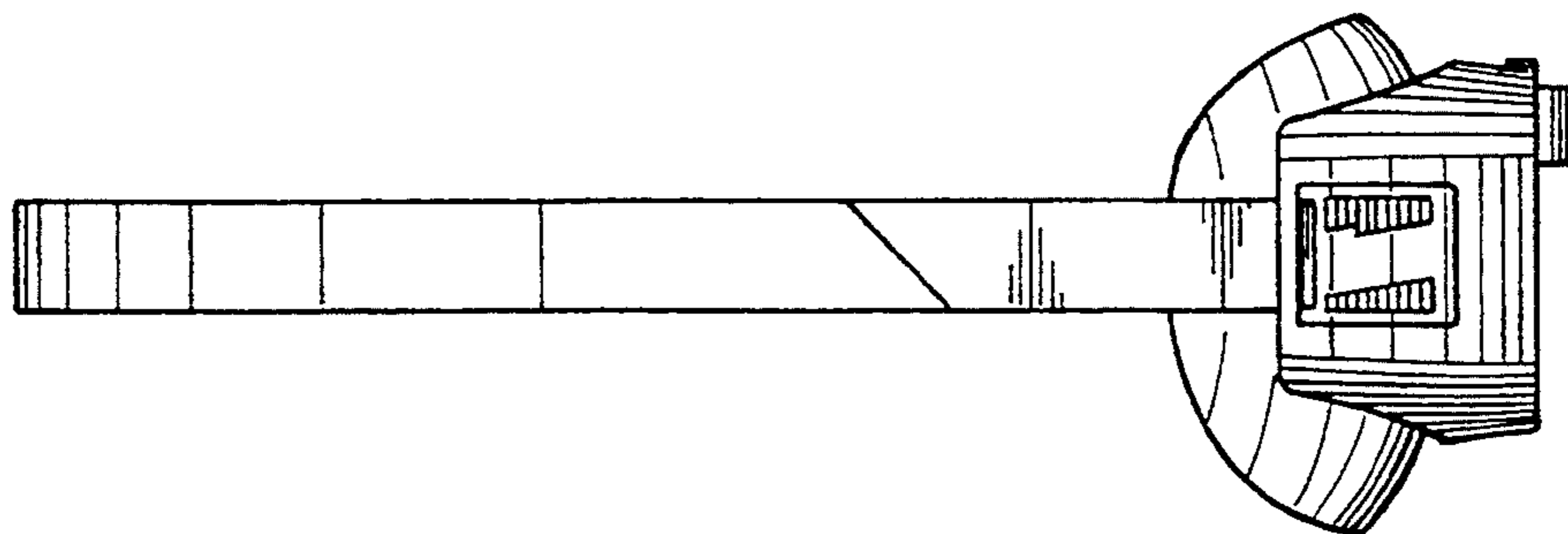


Fig. 3

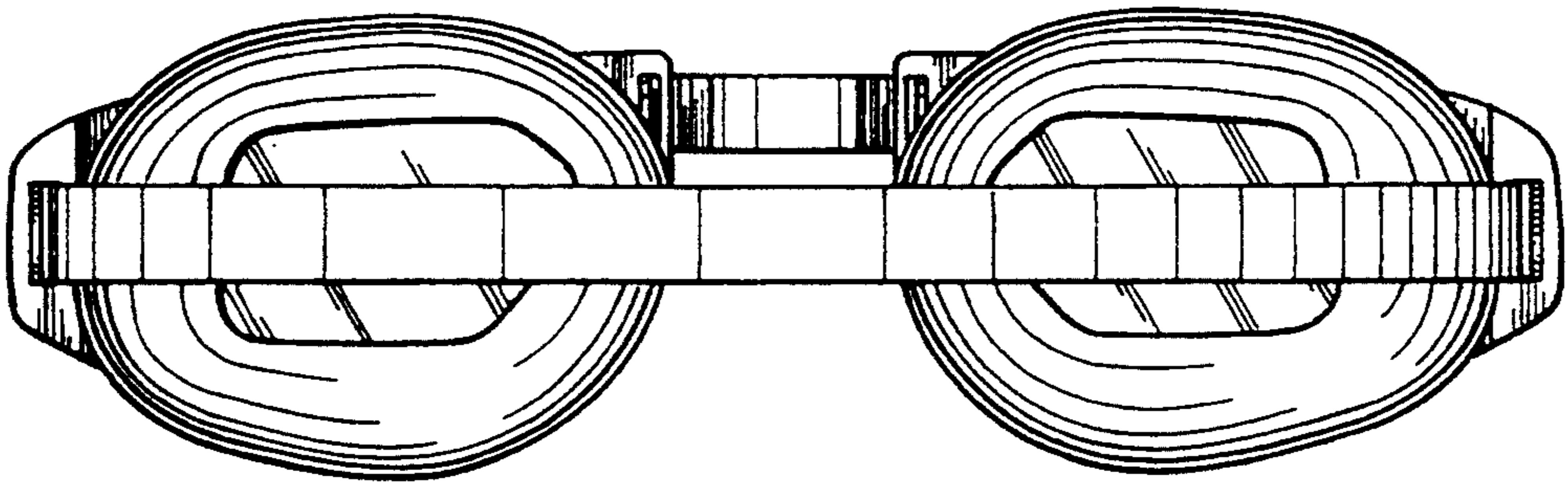


Fig. 4

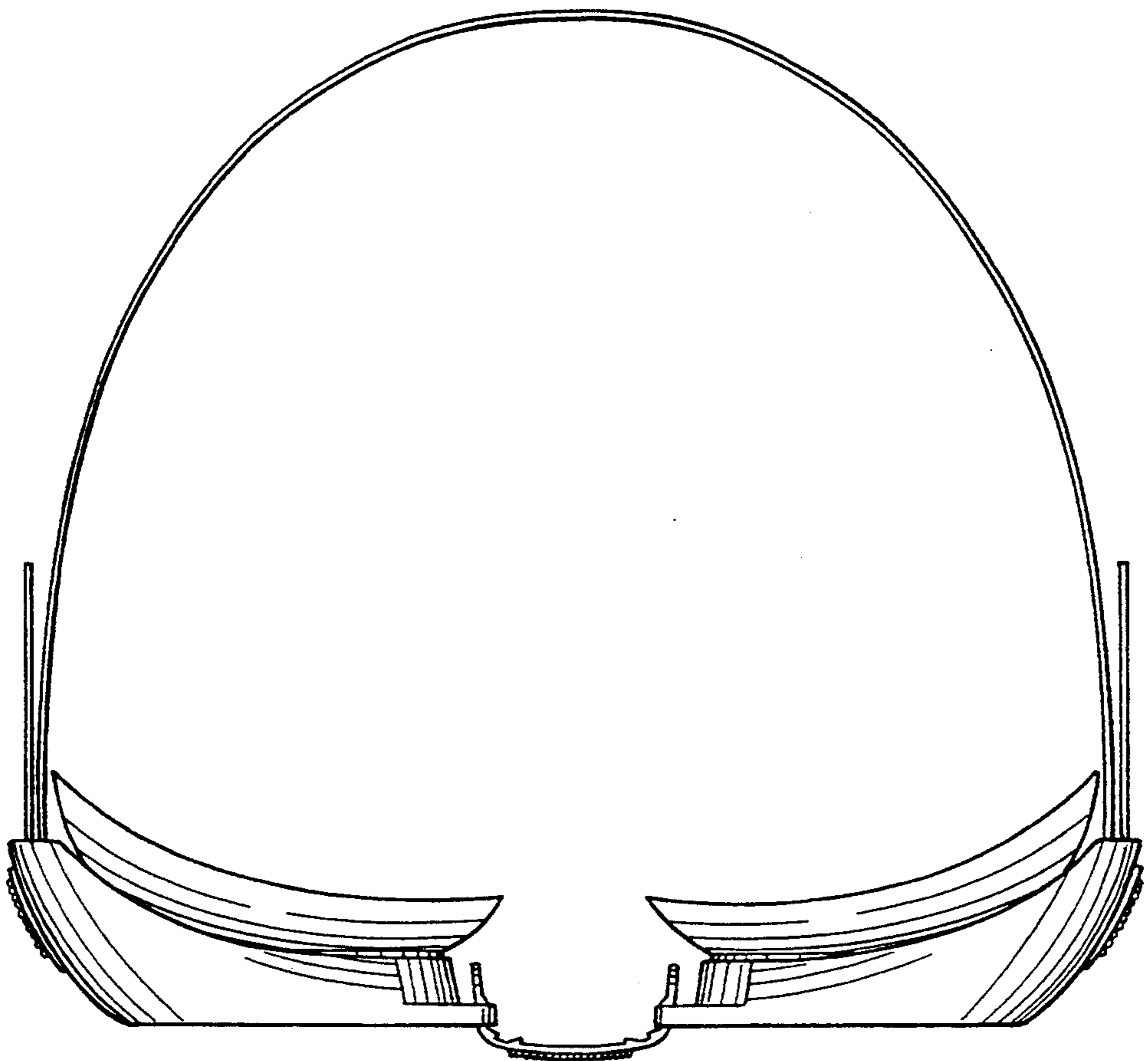


Fig. 5

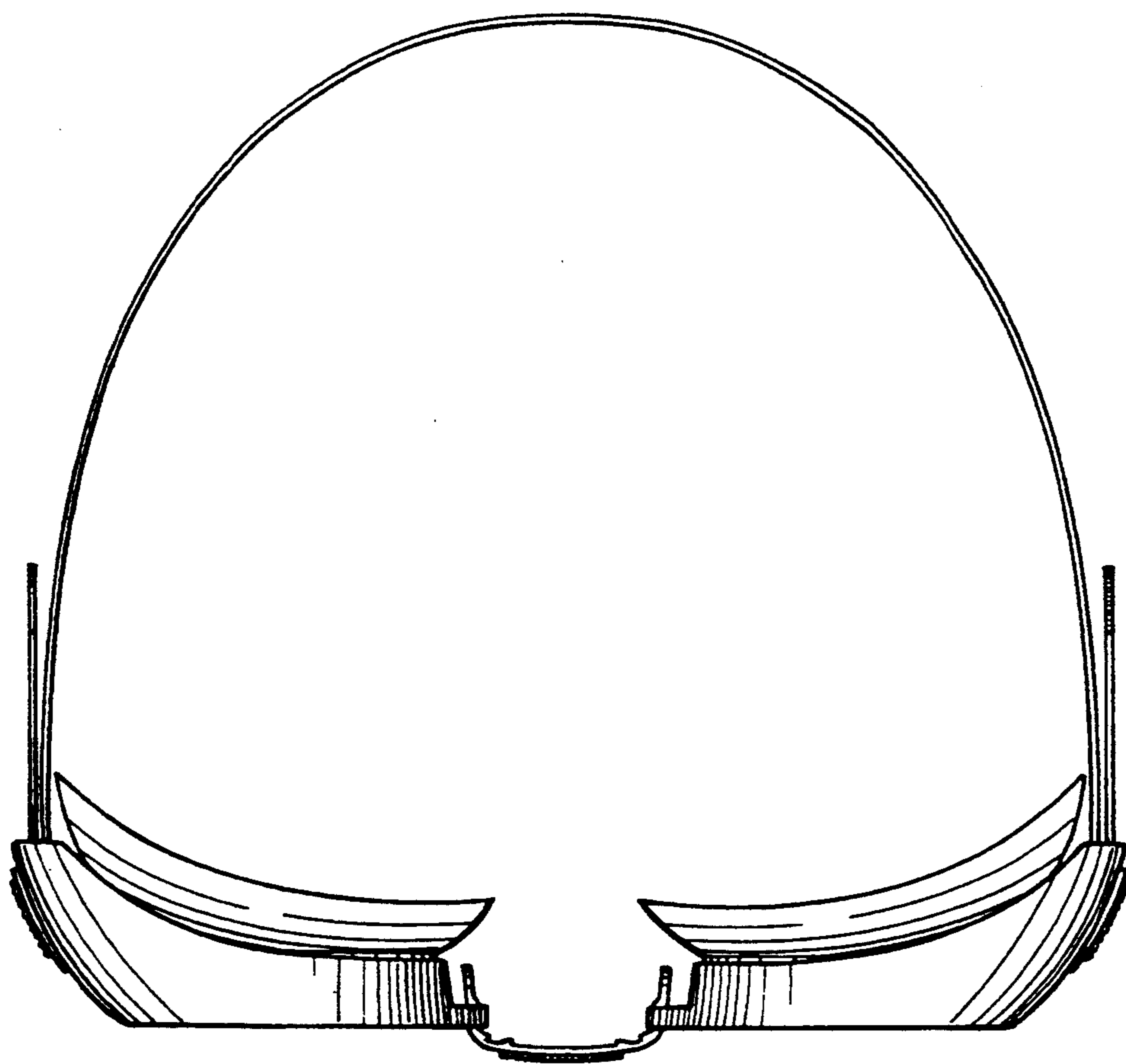


Fig. 6