



US00D350493S

**United States Patent** [19]  
**Gottlieb**

[11] **Patent Number: Des. 350,493**  
[45] **Date of Patent: \*\* Sep. 13, 1994**

[54] **SIGNAL LIGHT TO INDICATE THE USAGE OF A TELEPHONE IN THE HOME**

[75] **Inventor: Mark Gottlieb, Annandale, Va.**

[73] **Assignee: Design Tech International, Inc., Springfield, Va.**

[\*\*] **Term: 14 Years**

[21] **Appl. No.: 19,042**

[22] **Filed: Feb. 23, 1994**

[52] **U.S. Cl. .... D10/104; D10/114**

[58] **Field of Search ..... 340/500, 501, 502, 503, 340/504, 505, 571, 572; D10/104, 106, 114, 116, 121**

[56] **References Cited**

**U.S. PATENT DOCUMENTS**

D. 338,843 8/1993 Loose et al. .... D10/106

*Primary Examiner*—Wallace R. Burke  
*Assistant Examiner*—Marcus Jackson

[57] **CLAIM**

The ornamental design for a signal light to indicate the usage of a telephone in the home, as shown in FIGS. 1 through 6.

**DESCRIPTION**

FIG. 1 is a perspective view of a signal light to indicate the usage of a telephone in the home showing my new design;

FIG. 2 is a front view thereof;

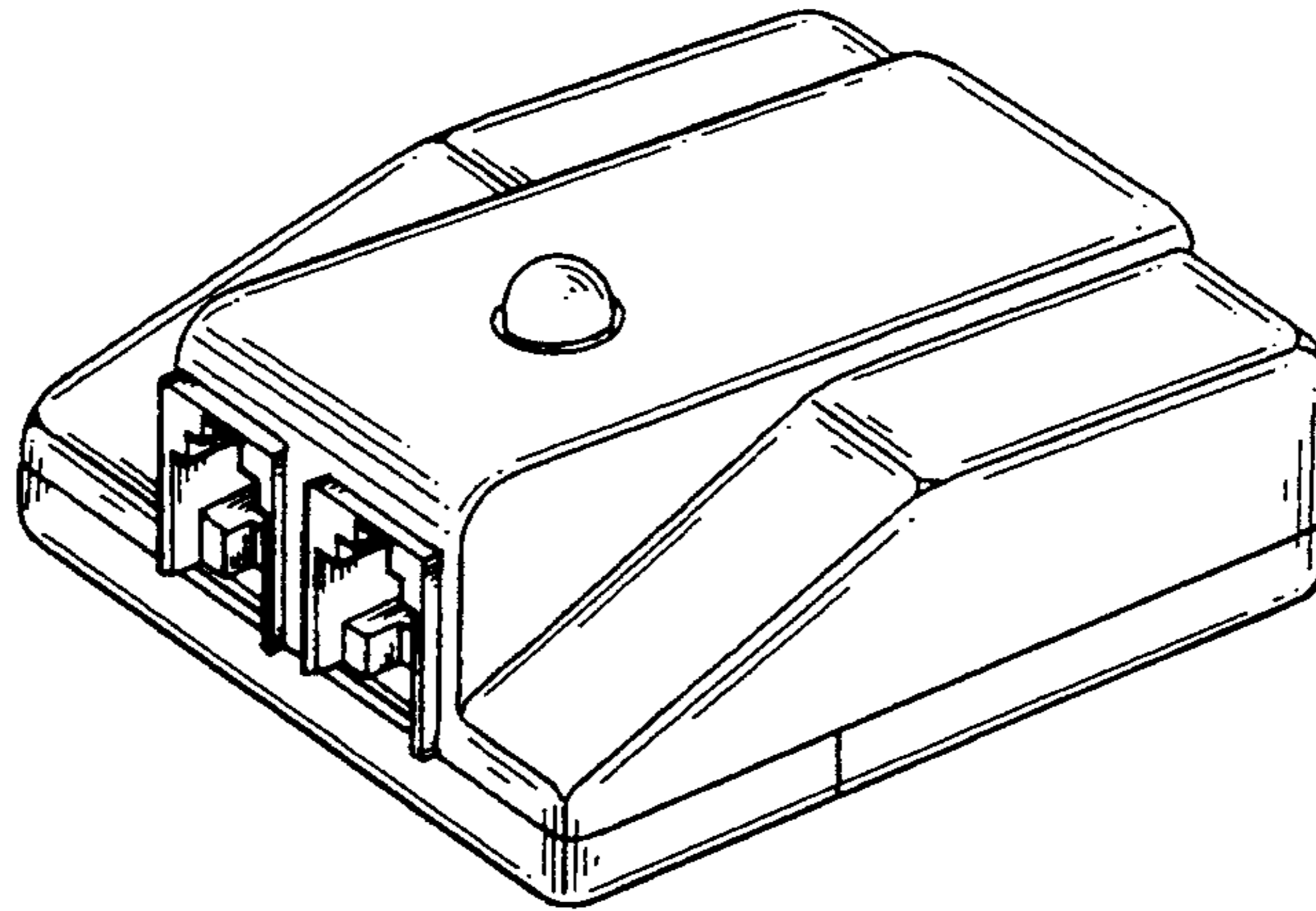
FIG. 3 is a rear view thereof;

FIG. 4 is a left view thereof;

FIG. 5 is a top view thereof;

FIG. 6 is a bottom view thereof; and,

FIG. 7 is a left elevational view thereof.



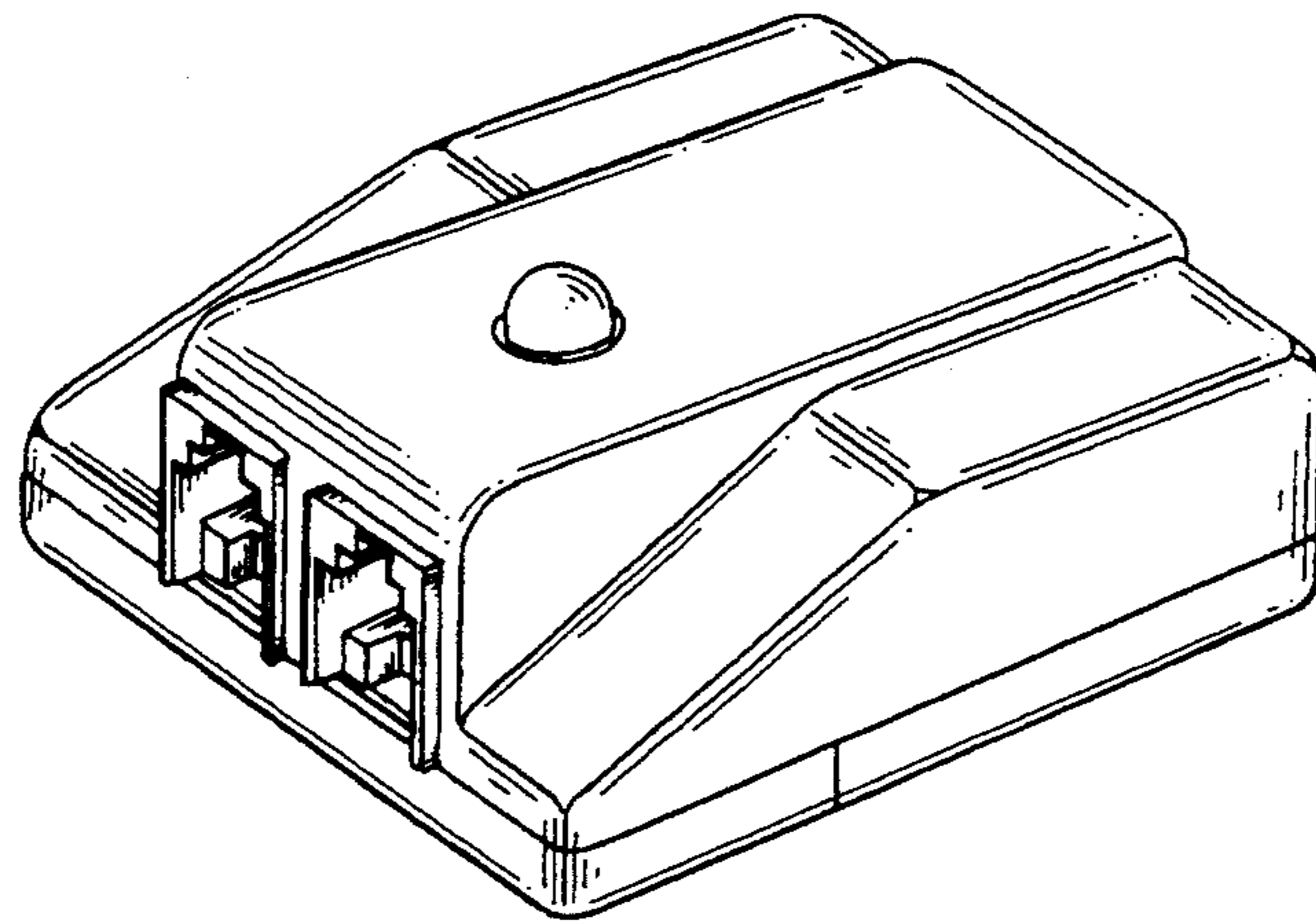


FIG. 1

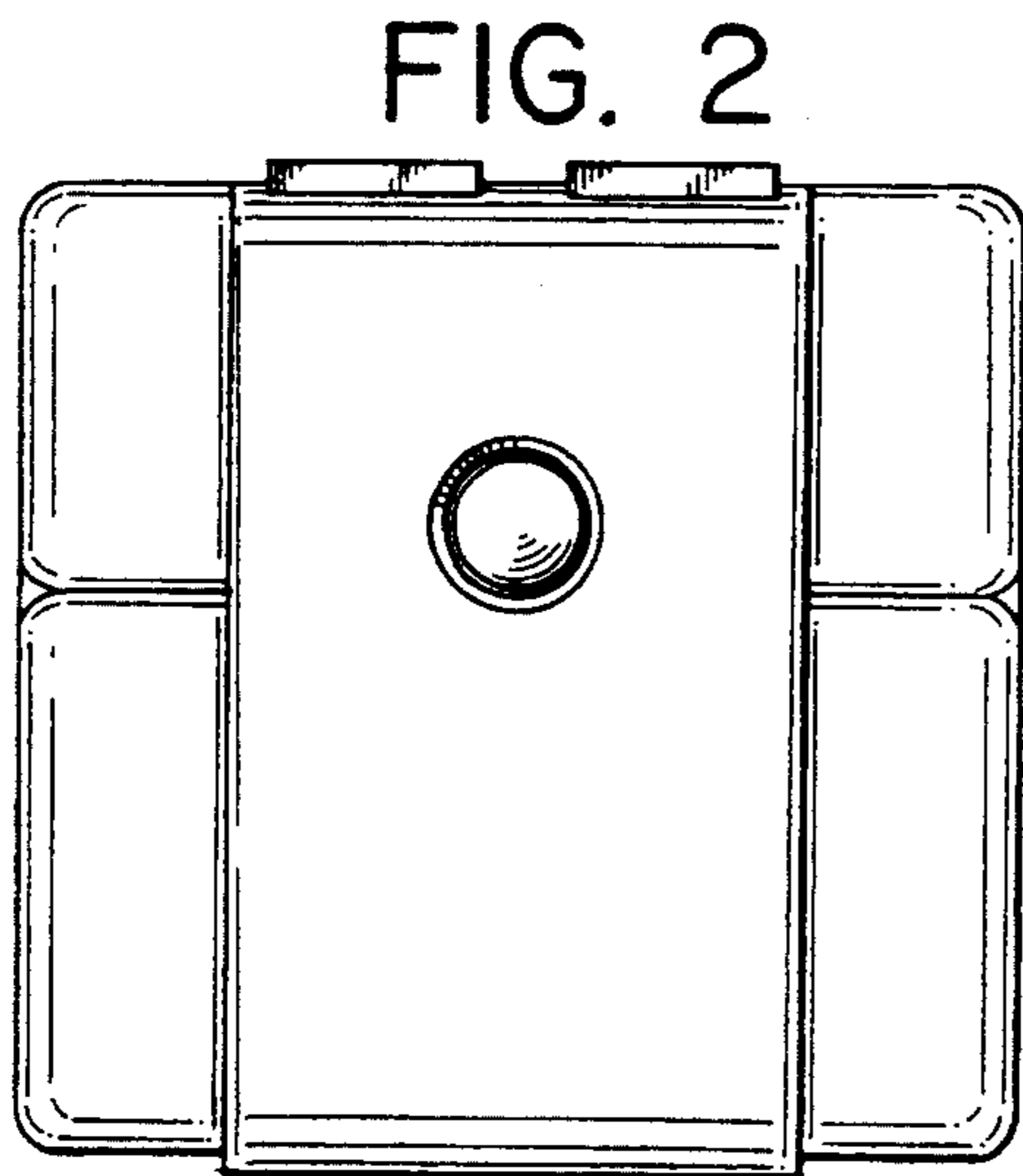


FIG. 2

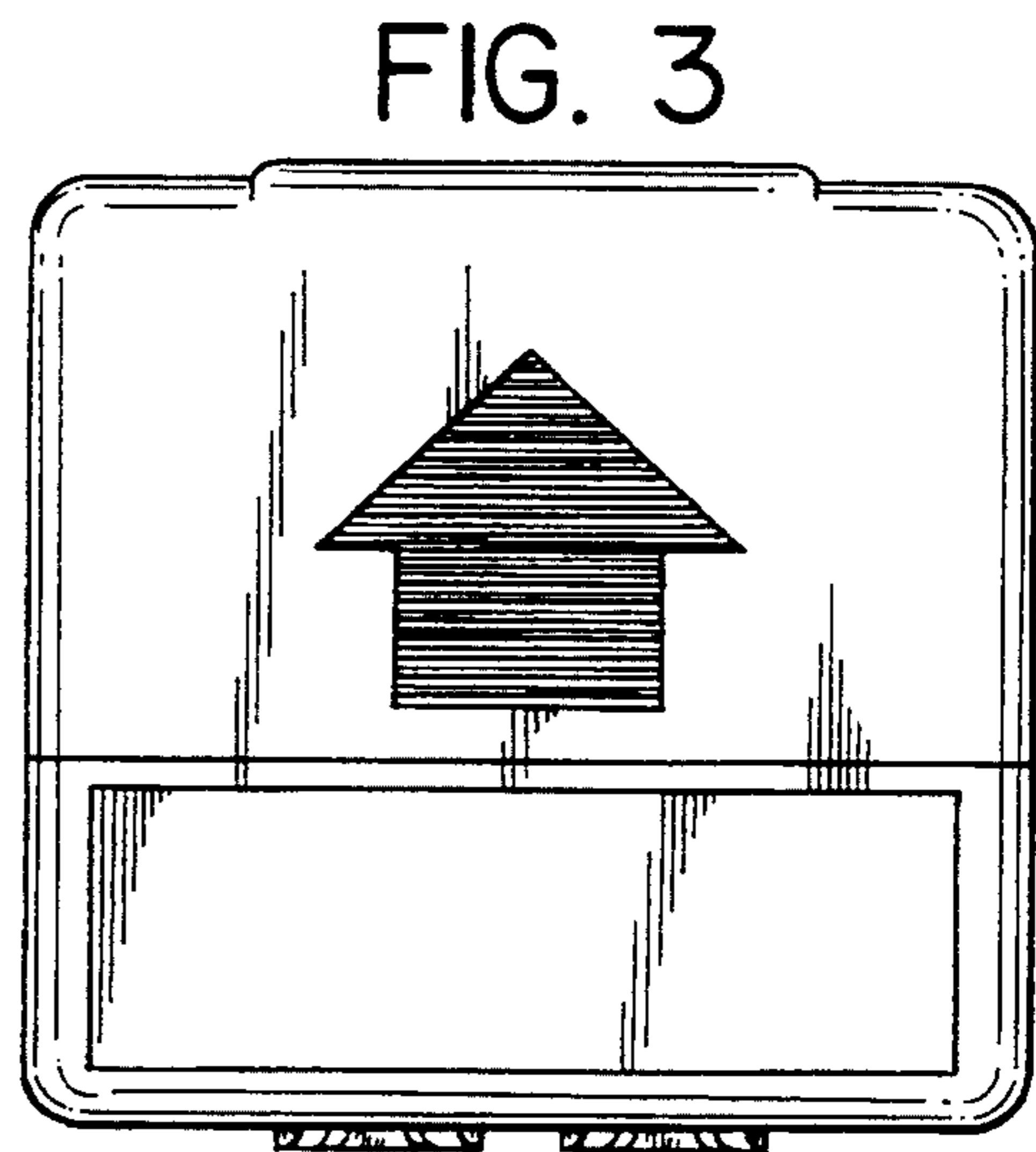


FIG. 3

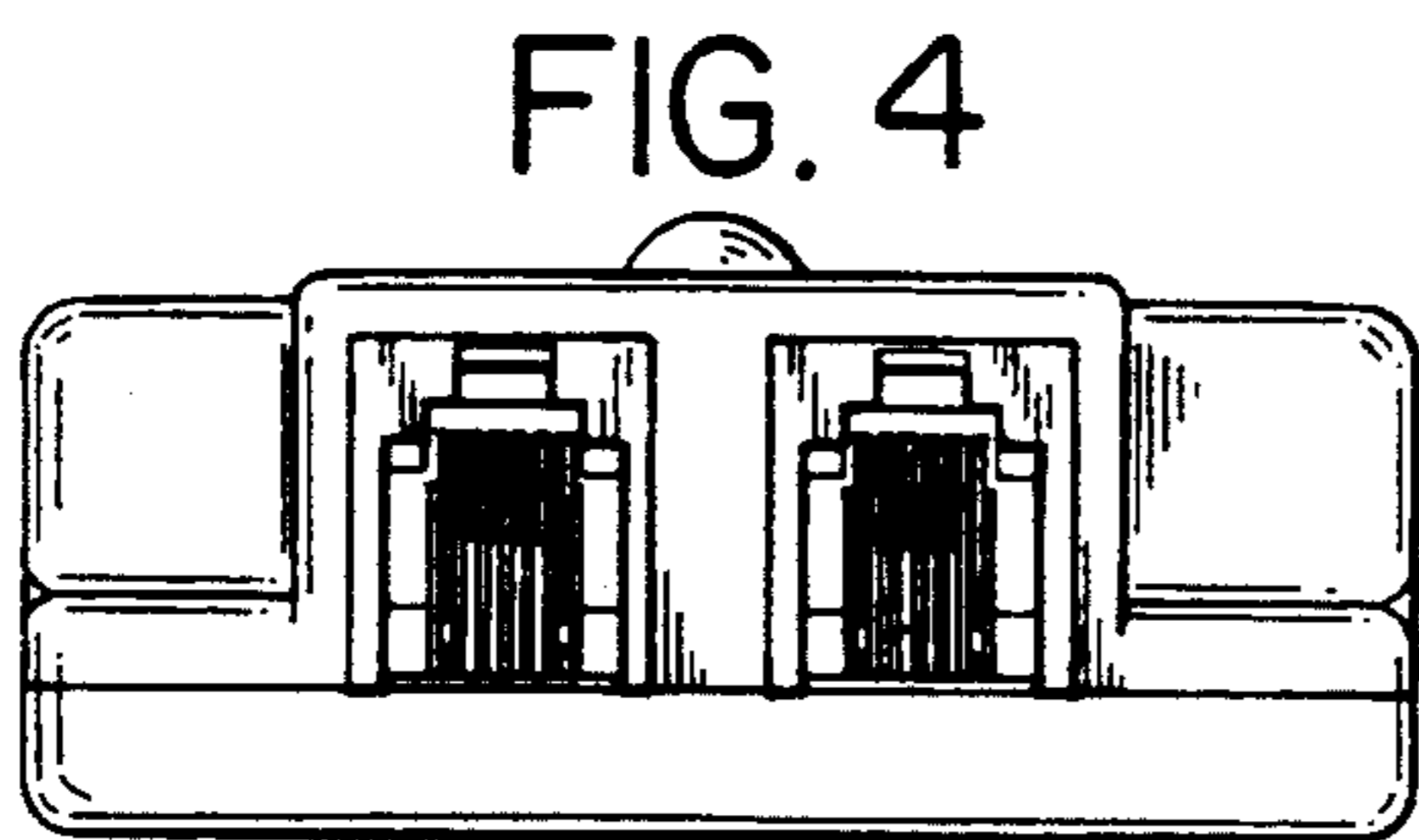


FIG. 4

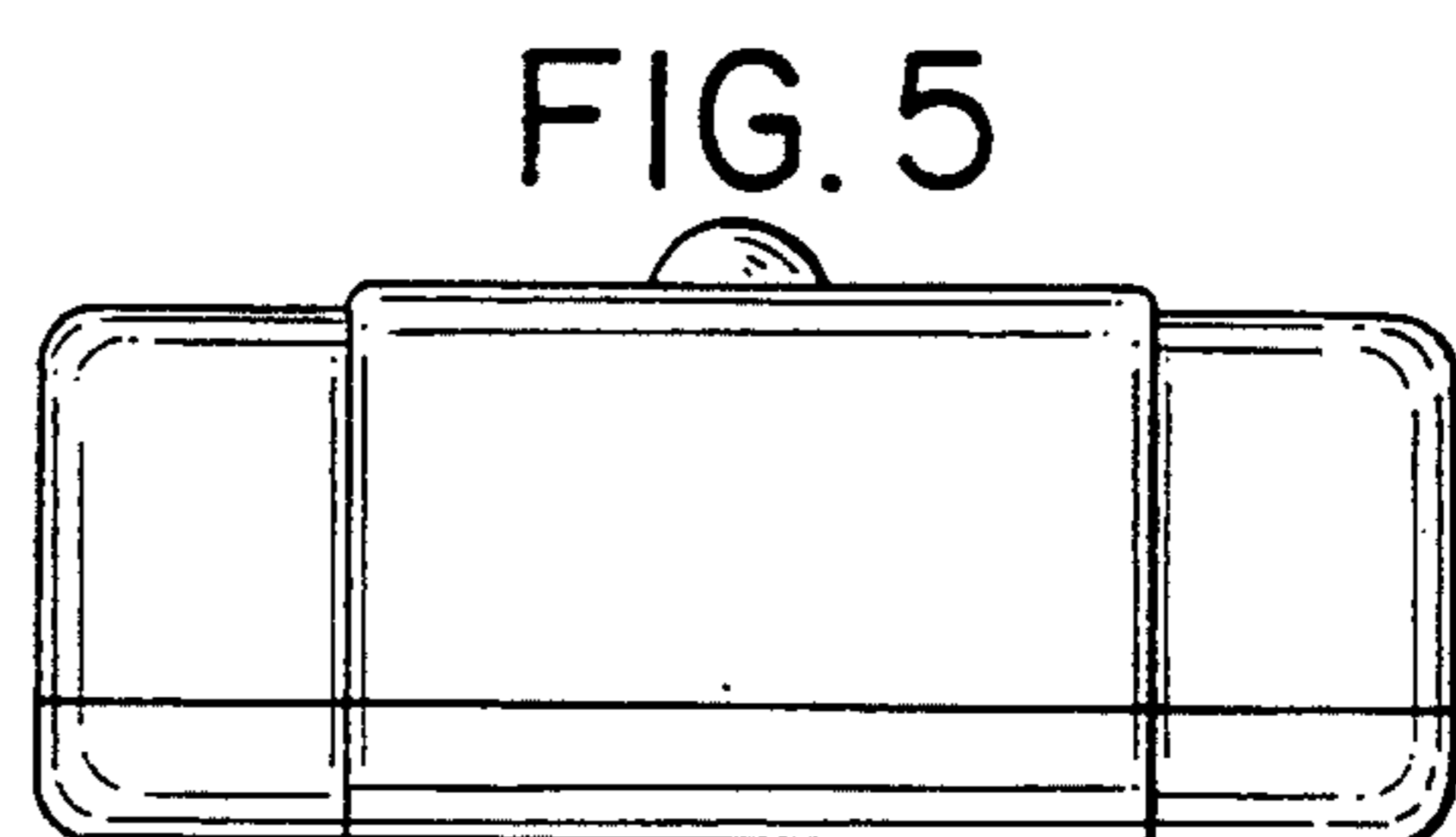


FIG. 5

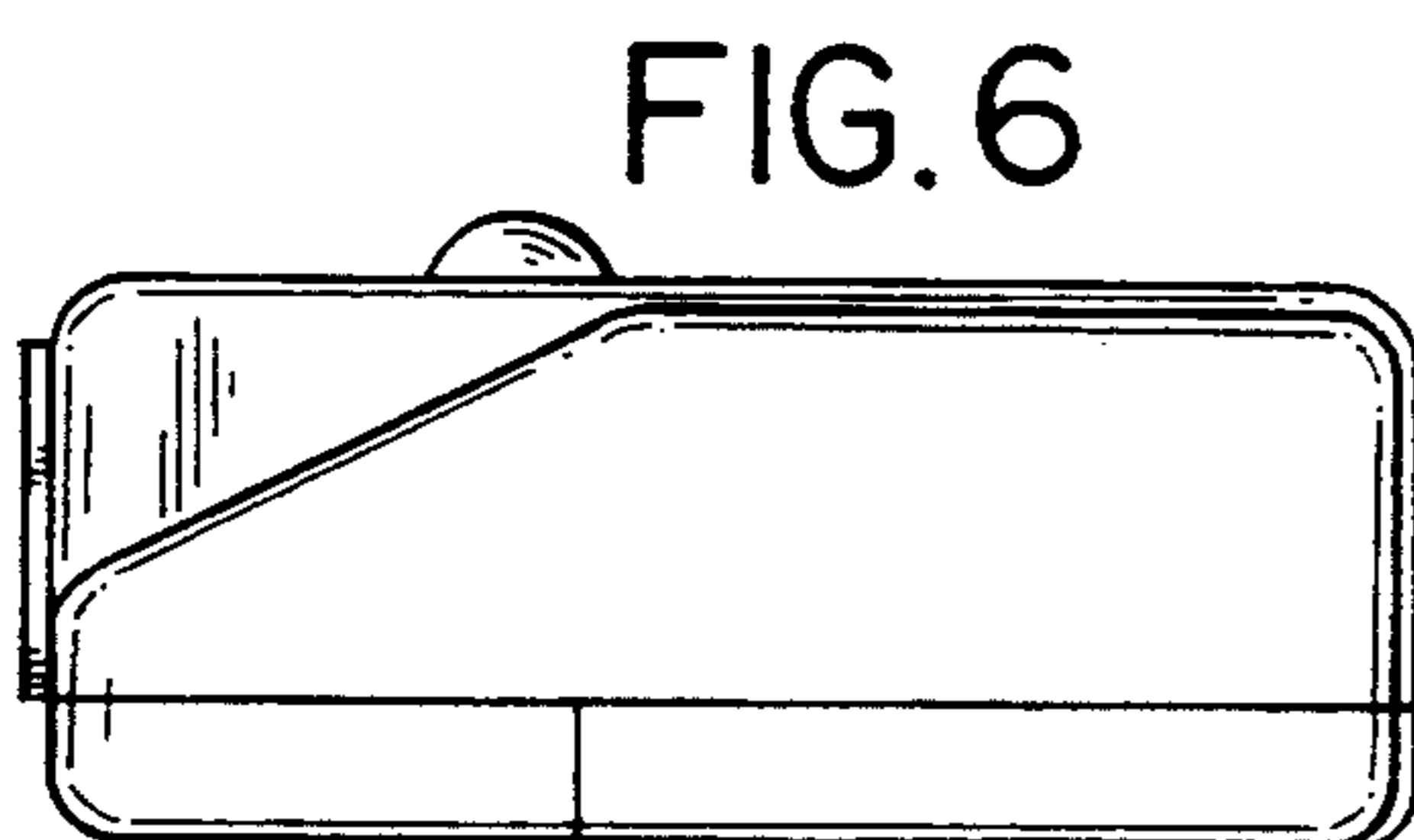


FIG. 6

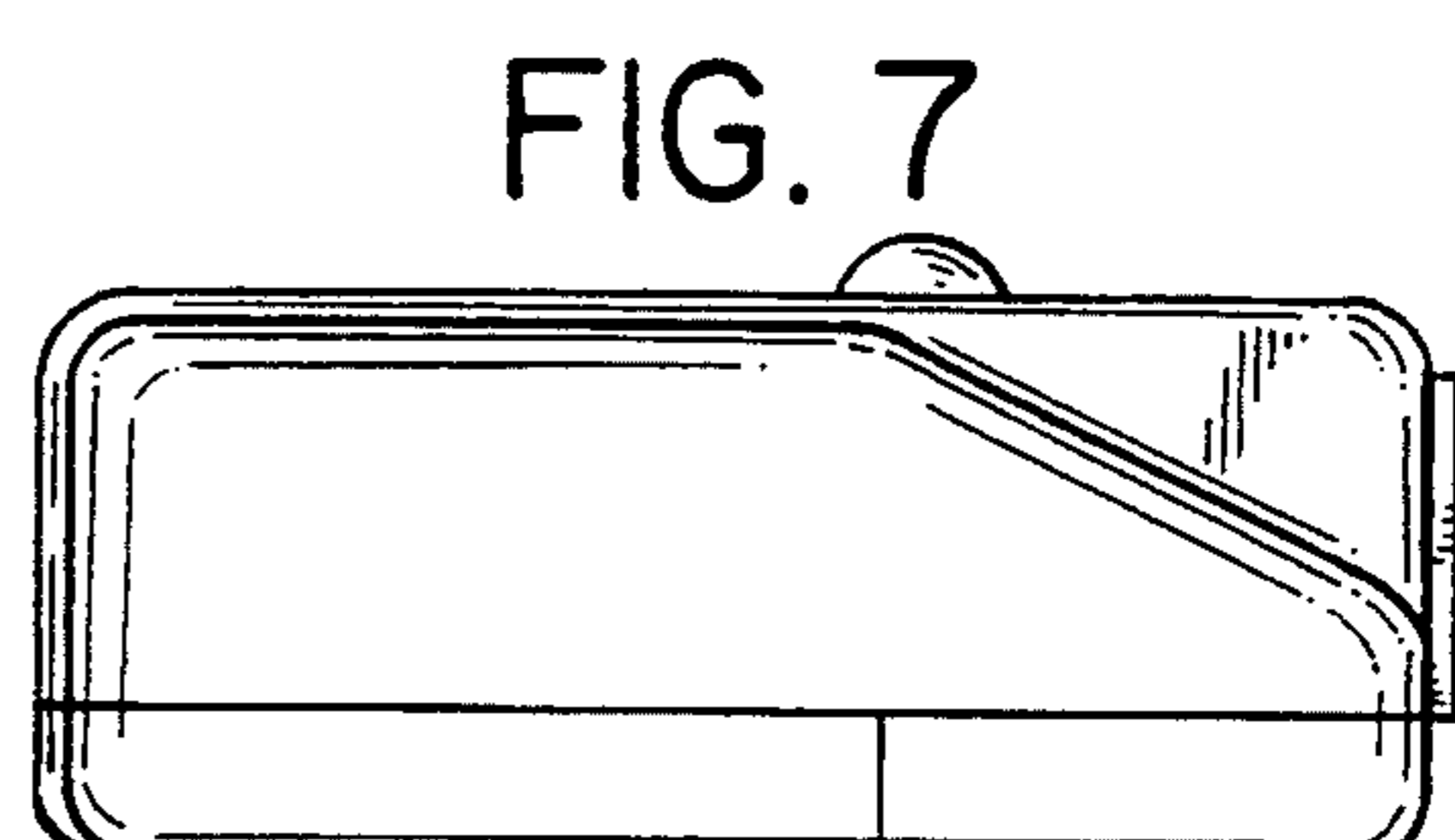


FIG. 7