



US00D350492S

United States Patent [19]

[11] Patent Number: Des. 350,492

Foster

[45] Date of Patent: ** Sep. 13, 1994

[54] **MODULE FOR COMBINING A GAS RESPONSIVE SAMPLE WITH A BATTERY PACK FOR A GAS DETECTOR**

[75] Inventor: **Robert W. Foster**, Hinsdale, Ill.

[73] Assignee: **BRK Electronics, Inc.**, Aurora, Ill.

[**] Term: **14 Years**

[21] Appl. No.: **1,664**

[22] Filed: **Nov. 19, 1992**

[52] U.S. Cl. **D10/103; D13/103**

[58] Field of Search 361/330, 392; 429/90, 429/92; D13/103, 162, 184; D10/103, 121

[56] **References Cited**

U.S. PATENT DOCUMENTS

- D. 231,105 4/1974 Honan D13/162
- D. 327,253 6/1992 Marach D13/184

Primary Examiner—Wallace R. Burke
Assistant Examiner—Joel Sincavage

Attorney, Agent, or Firm—Dressler, Goldsmith, Shore & Milnamow, Ltd.

[57] **CLAIM**

The ornamental design for a module for combining a gas responsive sample with a battery pack for a gas detector, as shown and described.

DESCRIPTION

FIG. 1 is a perspective view of a module for combining a gas responsive sample with a battery pack for a gas detector in accordance with the present invention from the first orientation;

FIG. 2 is a perspective view of the module of FIG. 1 from a second orientation;

FIG. 3 is a top plan view of the module of FIG. 1;

FIG. 4 is a side elevational view of one side of the module of FIG. 1, the other side being substantially identical;

FIG. 5 is bottom plan view of the module of FIG. 1;

FIG. 6 is a plan view of an end of the module of FIG. 1; and,

FIG. 7 is a plan view of the other end of the module of FIG. 1.

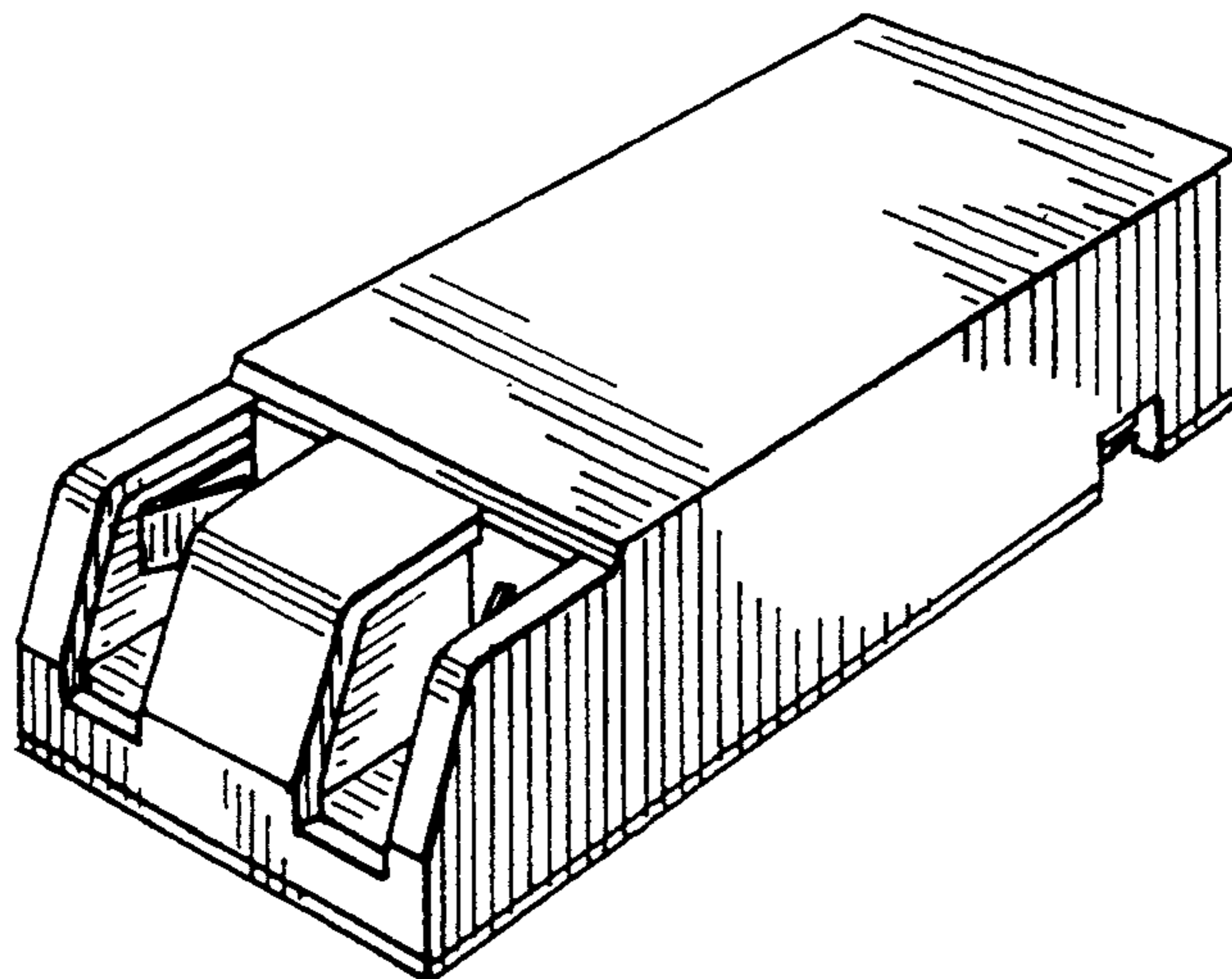


Fig. 1

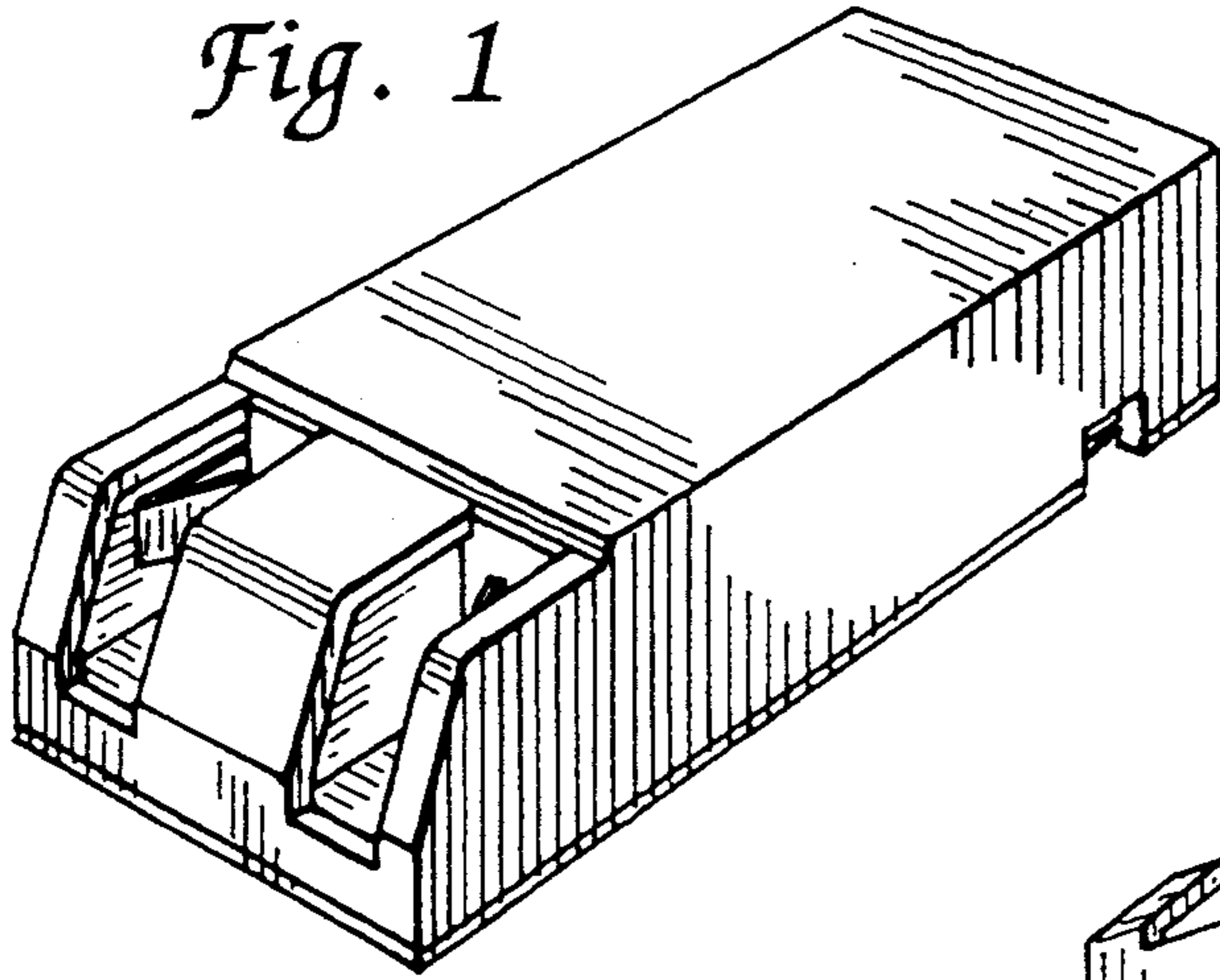


Fig. 2

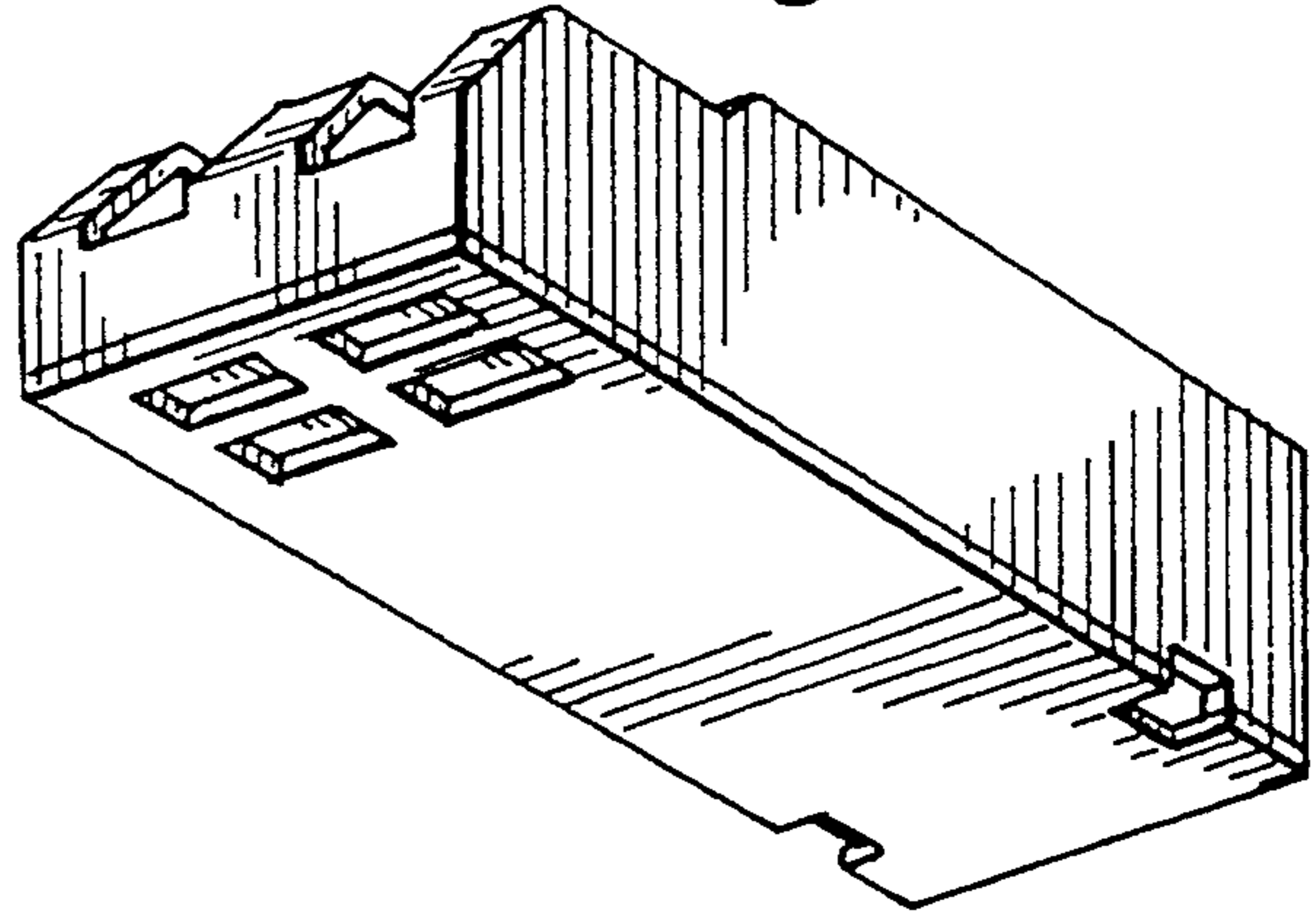


Fig. 3

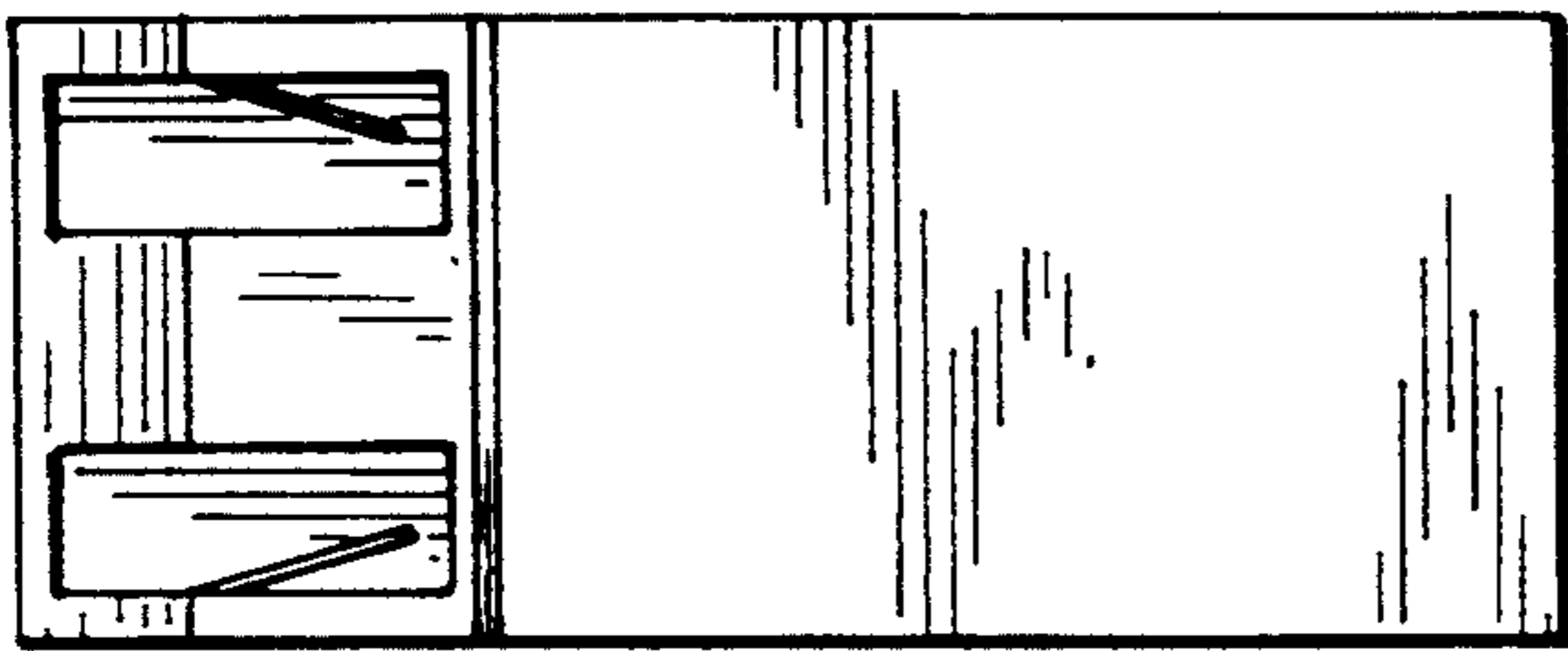


Fig. 6

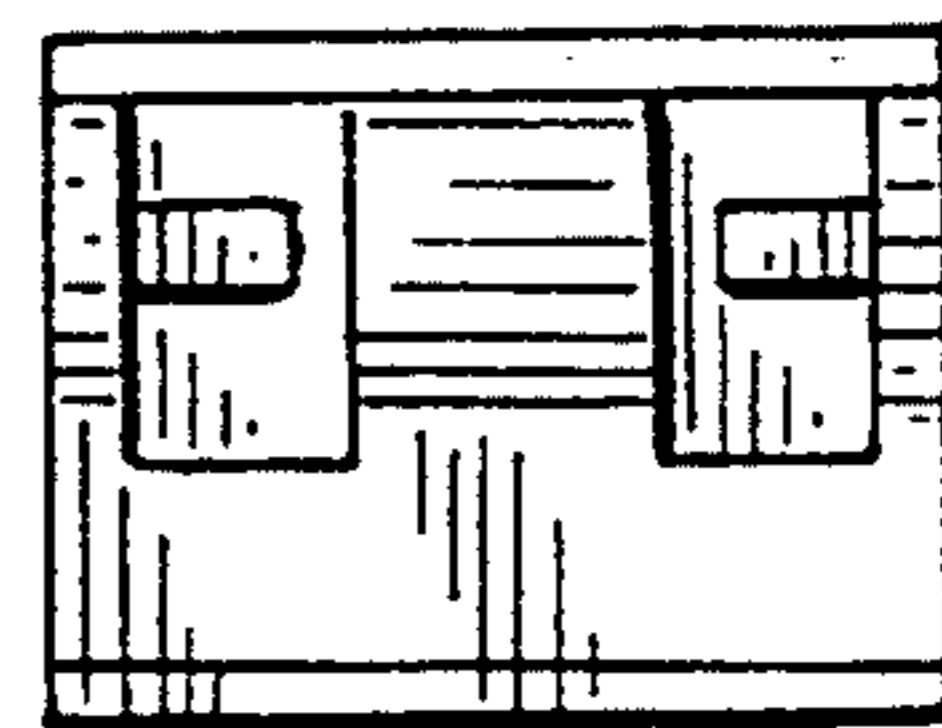


Fig. 4

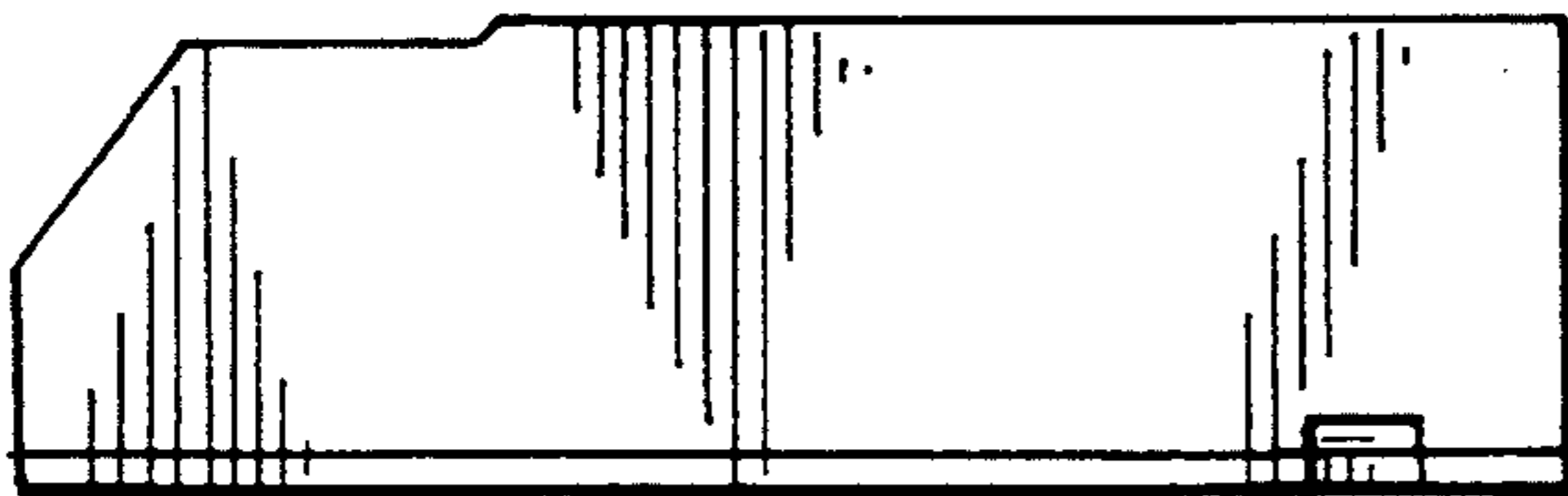


Fig. 7

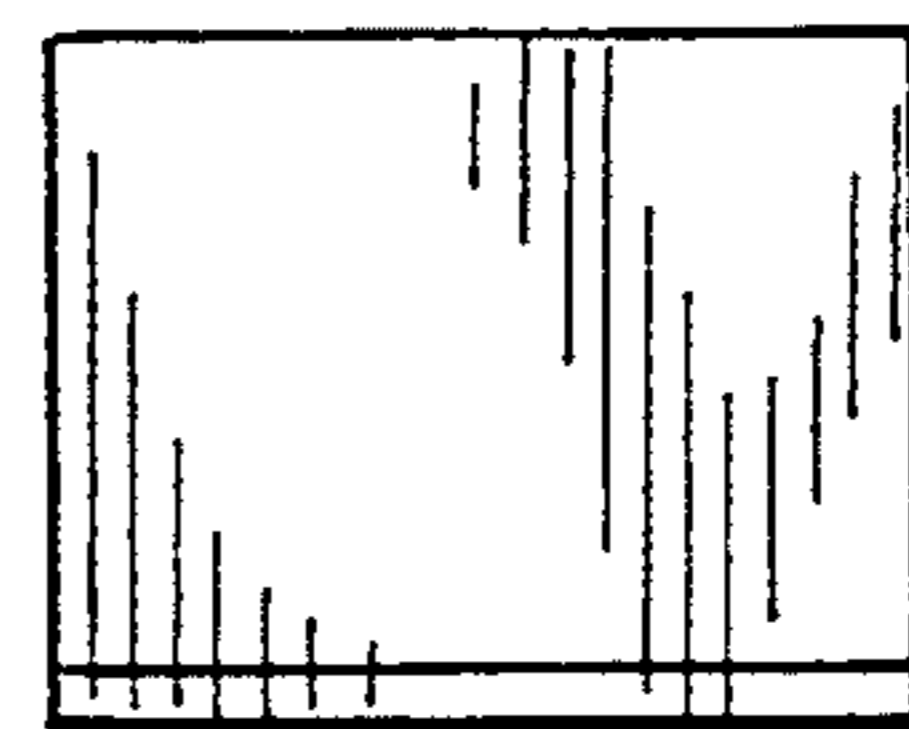


Fig. 5

