



US00D350489S

United States Patent [19]

[11] Patent Number: **Des. 350,489**

Dilbeck

[45] Date of Patent: **** Sep. 13, 1994**

[54] **WATER LEVEL ELEVATION MEASURING DEVICE**

[76] Inventor: **William B. Dilbeck**, 506 Crossbow Rd., Huntsville, Ark. 72740

[**] Term: **14 Years**

[21] Appl. No.: **8,491**

[22] Filed: **May 17, 1993**

[52] U.S. Cl. **D10/101; D10/70**

[58] Field of Search **73/290 R, 298; D10/70, D10/71, 101; D25/124**

[56] References Cited

U.S. PATENT DOCUMENTS

- D. 246,441 11/1977 Bergendorff D10/71
- D. 293,087 12/1987 Grinde D10/101
- 3,874,237 4/1975 Zwarts 73/290 R

OTHER PUBLICATIONS

How Things Work, vol. 4, Roger Jean Segalat, pp. 237, 239, Before 1985.

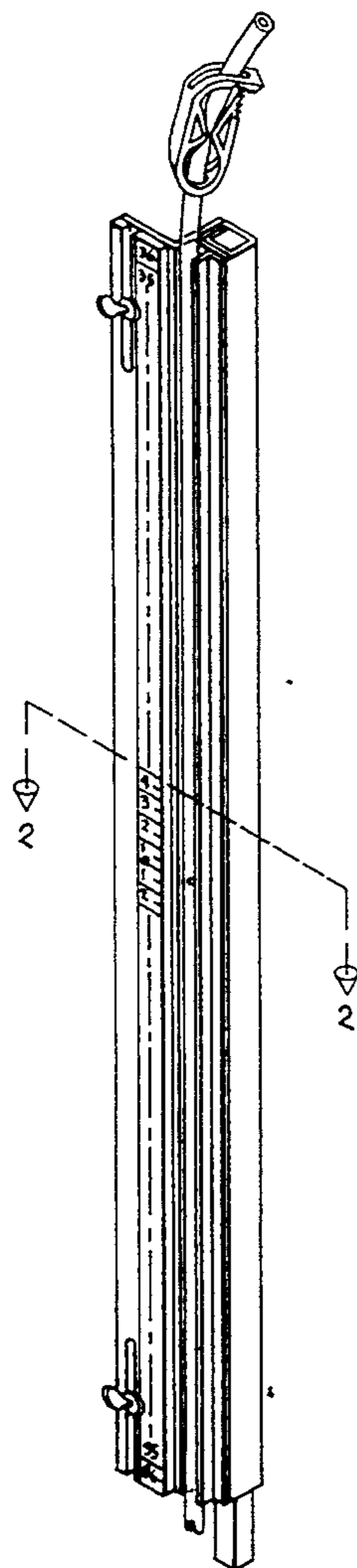
Primary Examiner—Alan P. Douglas
Assistant Examiner—Antoine D. Davis
Attorney, Agent, or Firm—Robert R. Keegan

[57] CLAIM

The ornamental design for a water level elevation measuring device, as shown and described.

DESCRIPTION

FIG. 1 is a perspective view showing my water level elevation measuring device design;
 FIG. 2 is an enlarged fragmentary view of the center portion thereof showing the detail more clearly;
 FIG. 3 is a top plan view thereof;
 FIG. 4 is a bottom plan view thereof;
 FIG. 5 is a rear elevational view thereof;
 FIG. 6 is a left side elevational view thereof;
 FIG. 7 is a front elevational view thereof; and,
 FIG. 8 is a right side elevational view thereof.
 In FIGS. 3 through 8 the flexible tubing shown in FIGS. 1 and 2 is omitted for clarity.
 Portions of the water level elevation measuring device's scale have been eliminated for ease of illustration.



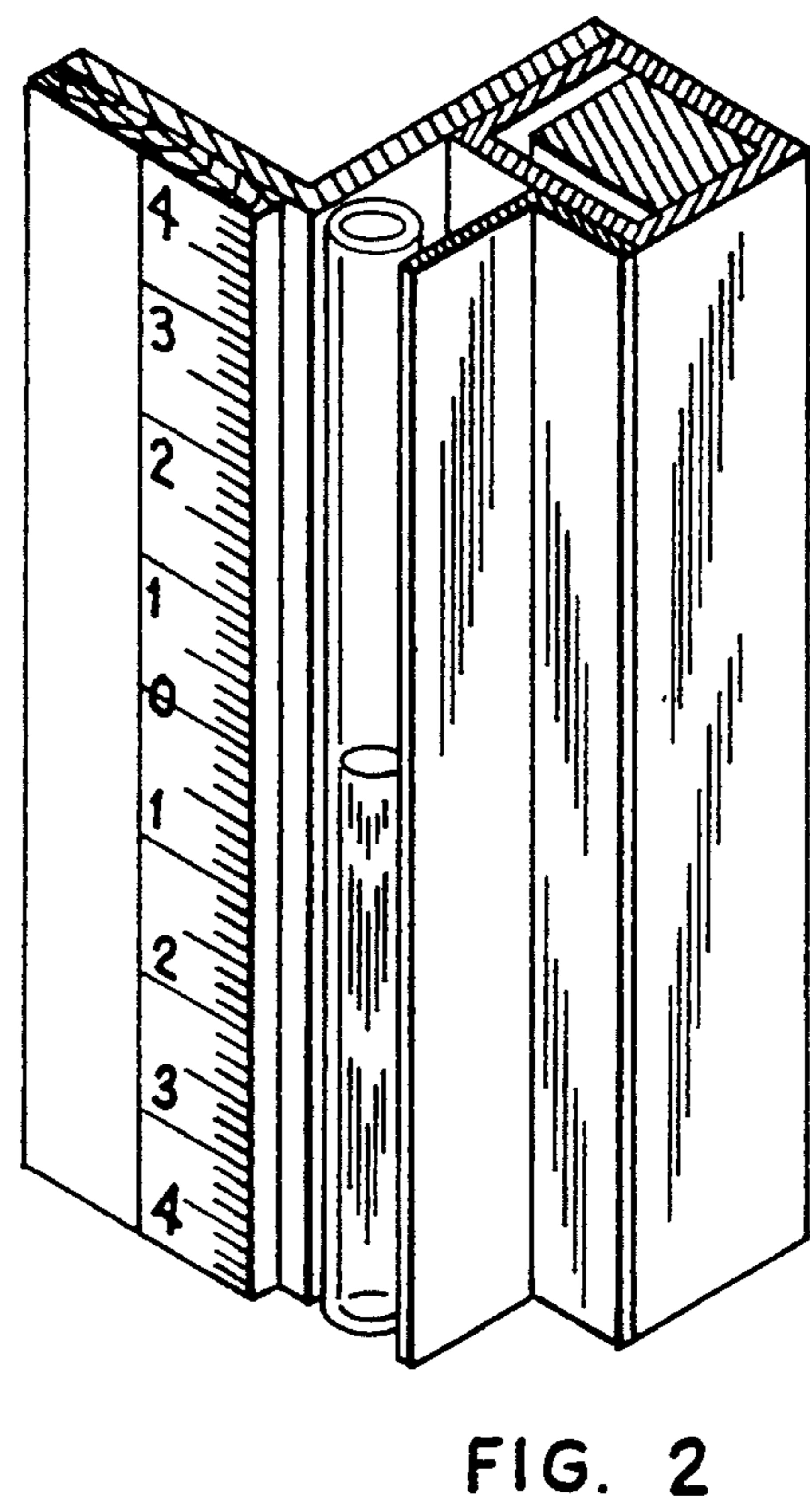
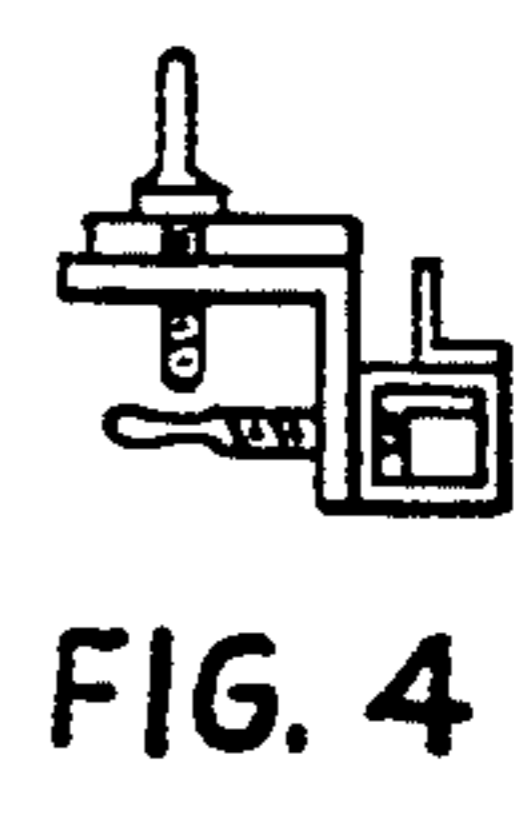
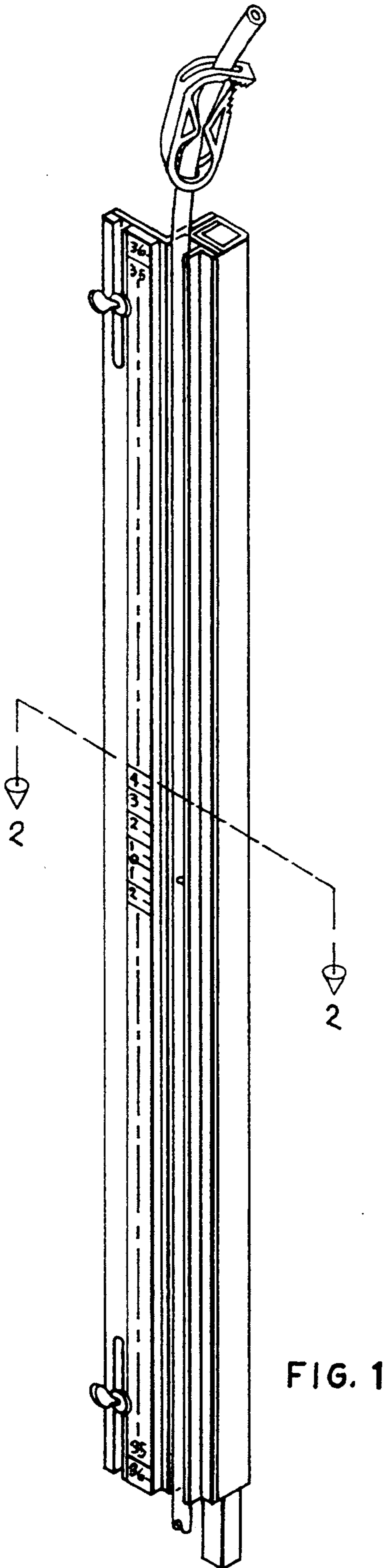


FIG. 1

FIG. 2

FIG. 3

FIG. 4

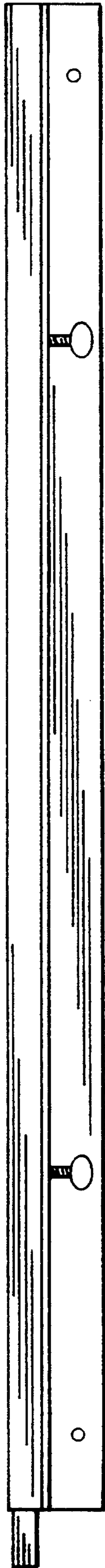


FIG. 5

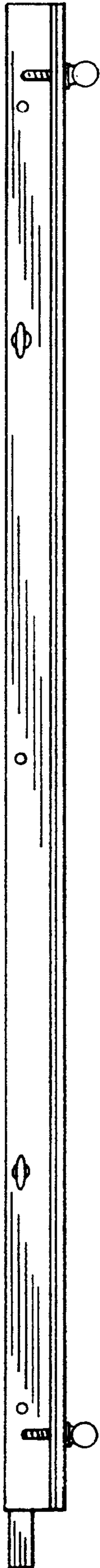


FIG. 6

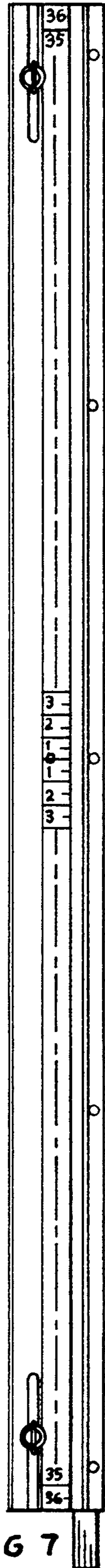


FIG. 7

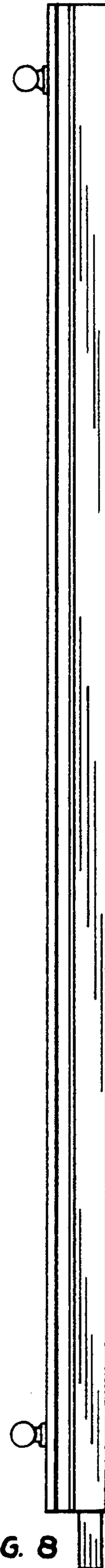


FIG. 8