



US00D350487S

United States Patent [19]
Schechter

[11] **Patent Number: Des. 350,487**
[45] **Date of Patent: ** Sep. 13, 1994**

[54] **SPORTS WATCH CASING**
[75] **Inventor: Marc N. Schechter**, Birmingham, Mich.
[73] **Assignee: Advance Watch Co., Inc.**, Southfield, Mich.
[**] **Term: 14 Years**
[21] **Appl. No.: 822,552**
[22] **Filed: Jan. 15, 1992**
[52] **U.S. Cl. D10/30; D10/38**
[58] **Field of Search 368/82-84, 368/239-242, 276, 277, 280-282, 285, 318, 322, 323; D10/1-29, 30-39, 40, 122-132**

D. 330,166 10/1992 Park D10/32
D. 338,160 8/1993 Houlihan D10/32

Primary Examiner—Martie Thompson
Attorney, Agent, or Firm—Brooks & Kushman

[57] **CLAIM**

The ornamental design for a sports watch casing, as shown and described.

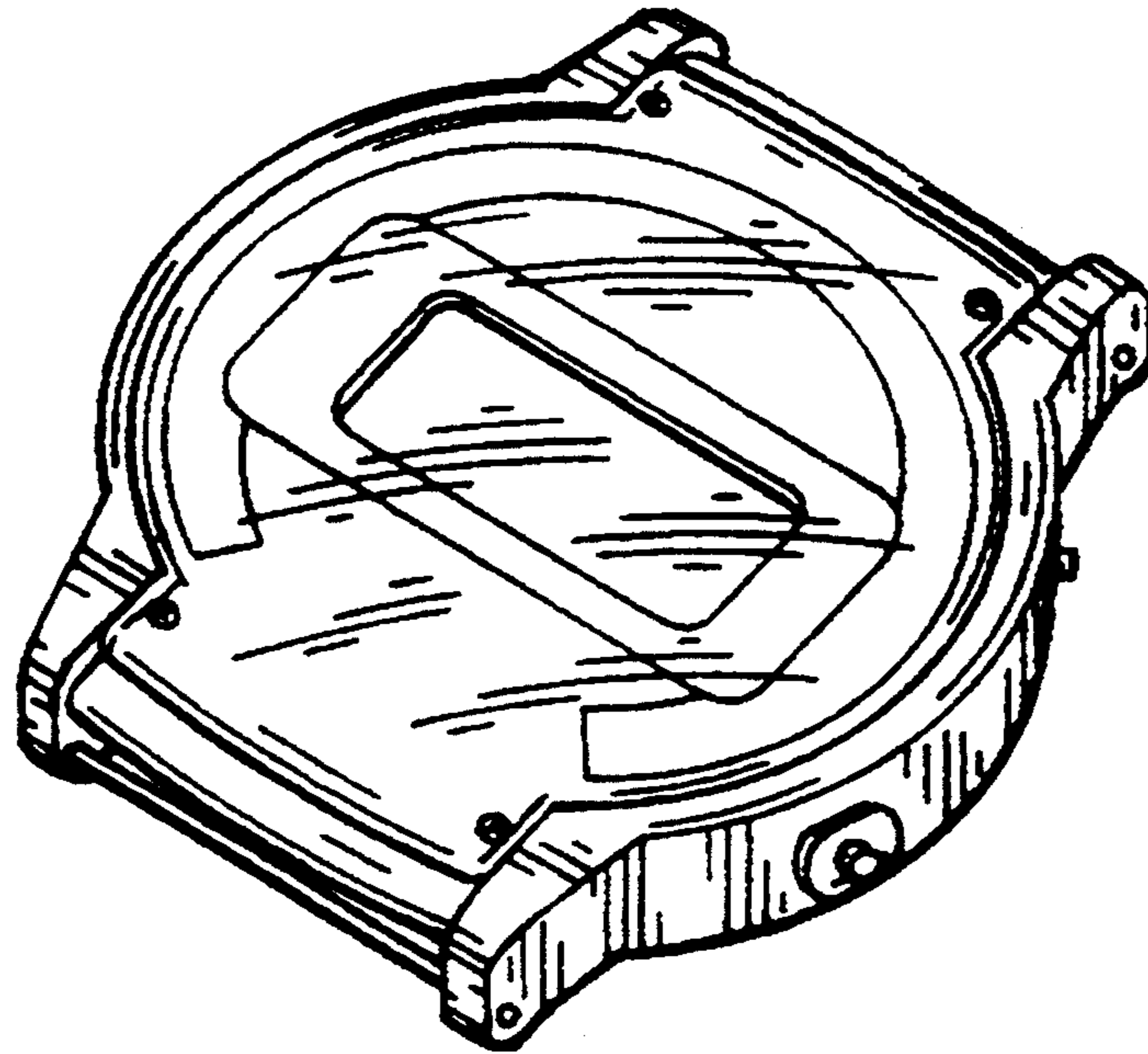
DESCRIPTION

FIG. 1 is a right front perspective view of a watch casing showing my new design; FIG. 2 is a front elevational view; FIG. 3 is a right side elevational view; FIG. 4 is a rear elevational view; FIG. 5 is a left side elevational view; FIG. 6 is an end elevational view; and, FIG. 7 is an end elevational view of the end opposite that shown in FIG. 6.

The broken line showing of the band portions in FIGS. 2, 3, 4 and 5 is for illustrative purposes only and forms no part of the claimed design.

[56] **References Cited**
U.S. PATENT DOCUMENTS

D. 269,546 6/1983 Rogers et al. D10/38 X
D. 301,840 6/1989 Houlihan D10/31 X
D. 323,993 2/1992 Lee D10/32



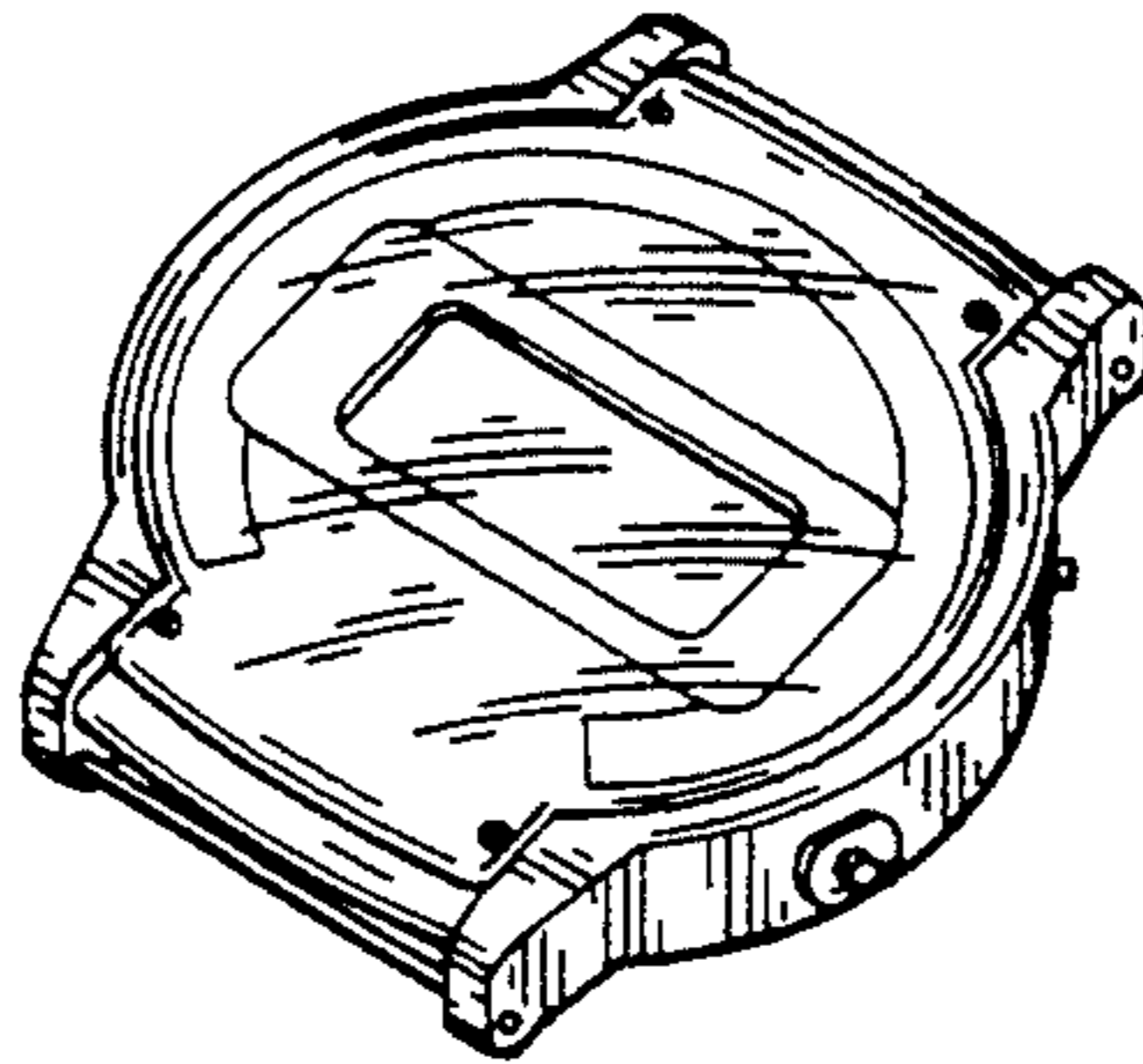


Fig. 1

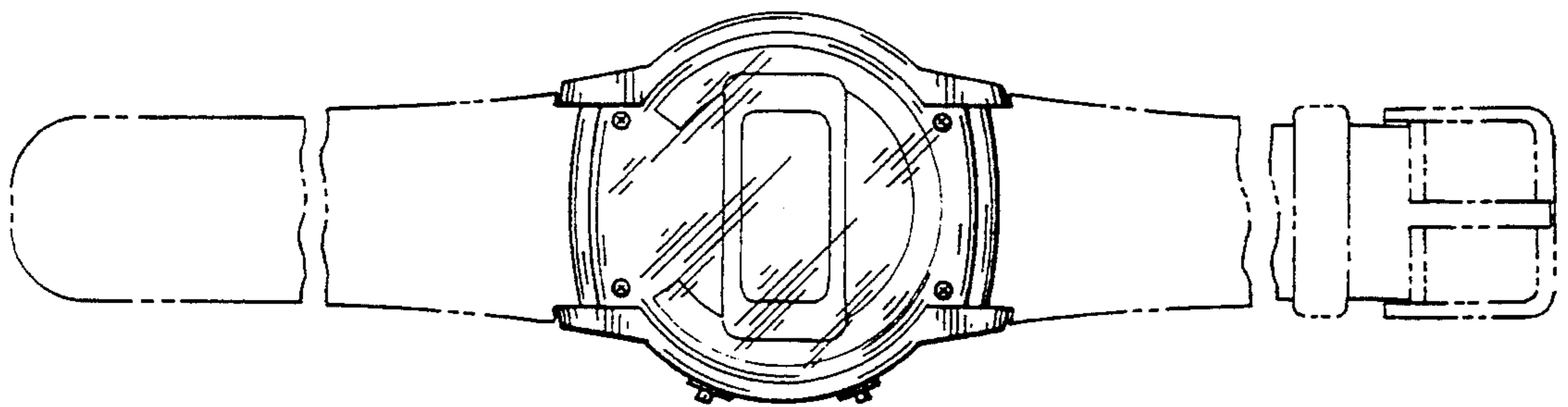


Fig. 2



Fig. 3

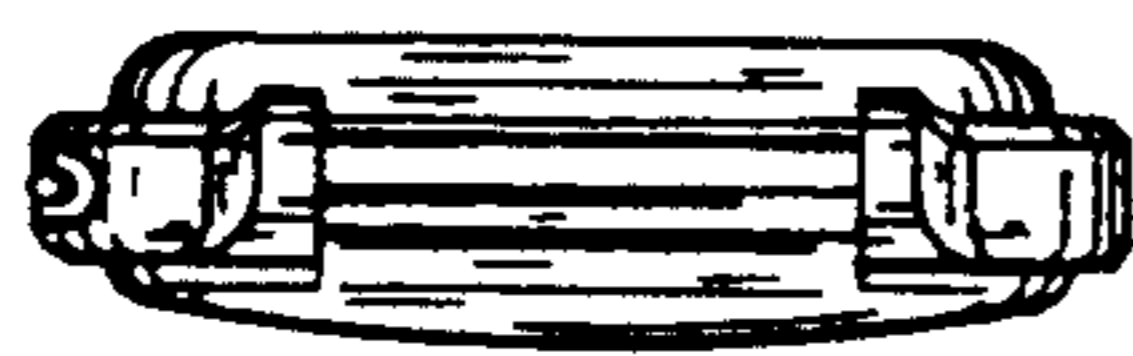


Fig. 6

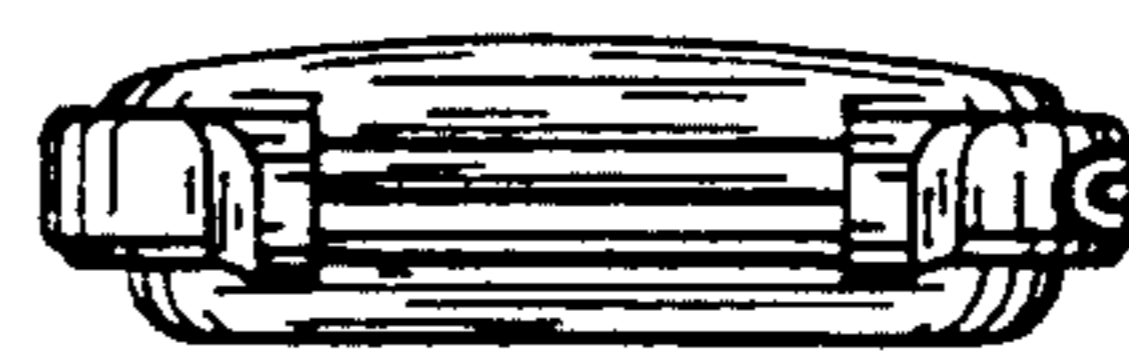


Fig. 7

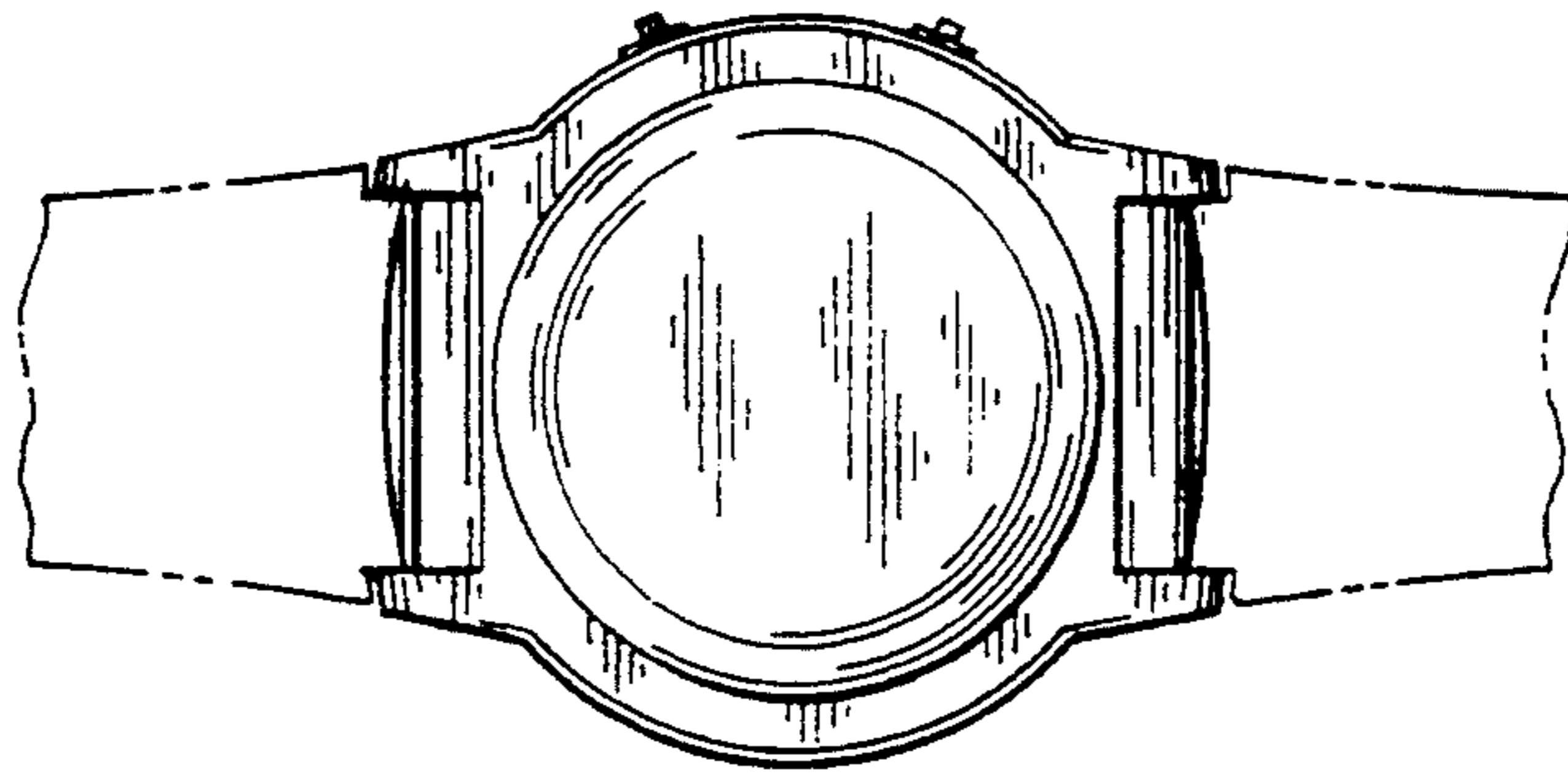


Fig. 4

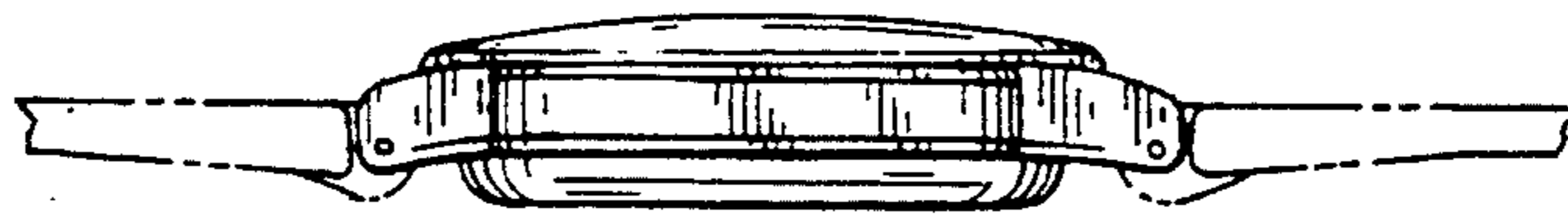


Fig. 5