



US00D350483S

United States Patent [19]
Escobedo

[11] **Patent Number: Des. 350,483**
[45] **Date of Patent: ** Sep. 13, 1994**

[54] **TILTABLE BOTTLE HOLDER**
[76] **Inventor: Francisco Escobedo, 23305 Ladeene Ave., Torrance, Calif. 90505**
[**] **Term: 14 Years**
[21] **Appl. No.: 884,839**
[22] **Filed: May 18, 1992**
[52] **U.S. Cl. D9/455**
[58] **Field of Search D9/434, 435, 436, 443, D9/455, 499; D7/314-317; D8/321; 215/100 A; 220/754, 758; 294/137; 24/16 PB; 248/133, 137, 139, 153**

4,269,322 5/1981 Larson 24/16 PB

FOREIGN PATENT DOCUMENTS

979756 1/1965 United Kingdom 248/137

OTHER PUBLICATIONS

“Copper and Burnt Umber”, Jack Oreusteinad, *Giftwares*, Dec. 1959, p. 9.

Primary Examiner—Alan P. Douglas
Assistant Examiner—Robert M. Spear
Attorney, Agent, or Firm—Roger A. Marrs

[57] **CLAIM**

The ornamental design for tiltable bottle holder, as shown and described.

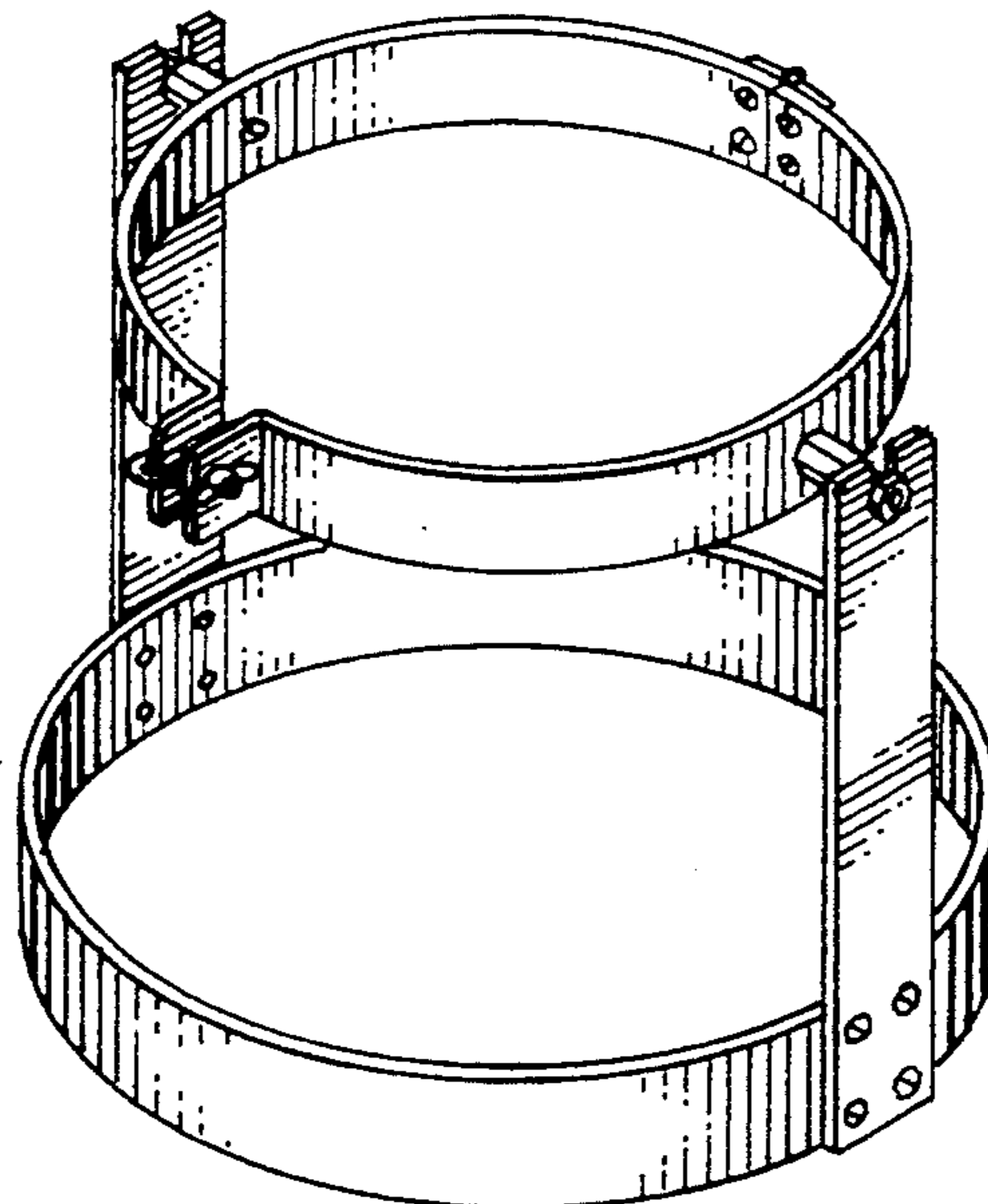
[56] **References Cited**

U.S. PATENT DOCUMENTS

D. 84,870	8/1931	Blattner	D7/314
D. 89,258	2/1933	Luttrell	D7/314
609,412	8/1898	Coffey	248/137
1,311,628	7/1919	Walsh	248/137
1,609,246	11/1926	Hamburger	248/137
1,878,348	9/1932	TeSelle	248/139
2,485,075	10/1949	Szenasi et al.	248/139
3,273,569	9/1966	Caliouette	248/133
4,217,013	8/1980	Herrington et al.	248/137

DESCRIPTION

FIG. 1 is a front perspective view showing my new design for a tiltable bottle holder;
FIG. 2 is a side elevational view thereof with the opposite side being a mirror image thereof;
FIG. 3 is a rear elevational view thereof;
FIG. 4 is a front elevational view thereof; and,
FIG. 5 is a top plan view thereof.
The broken line showing of a bottle is for illustrative purposes only and forms no part of the claimed design.



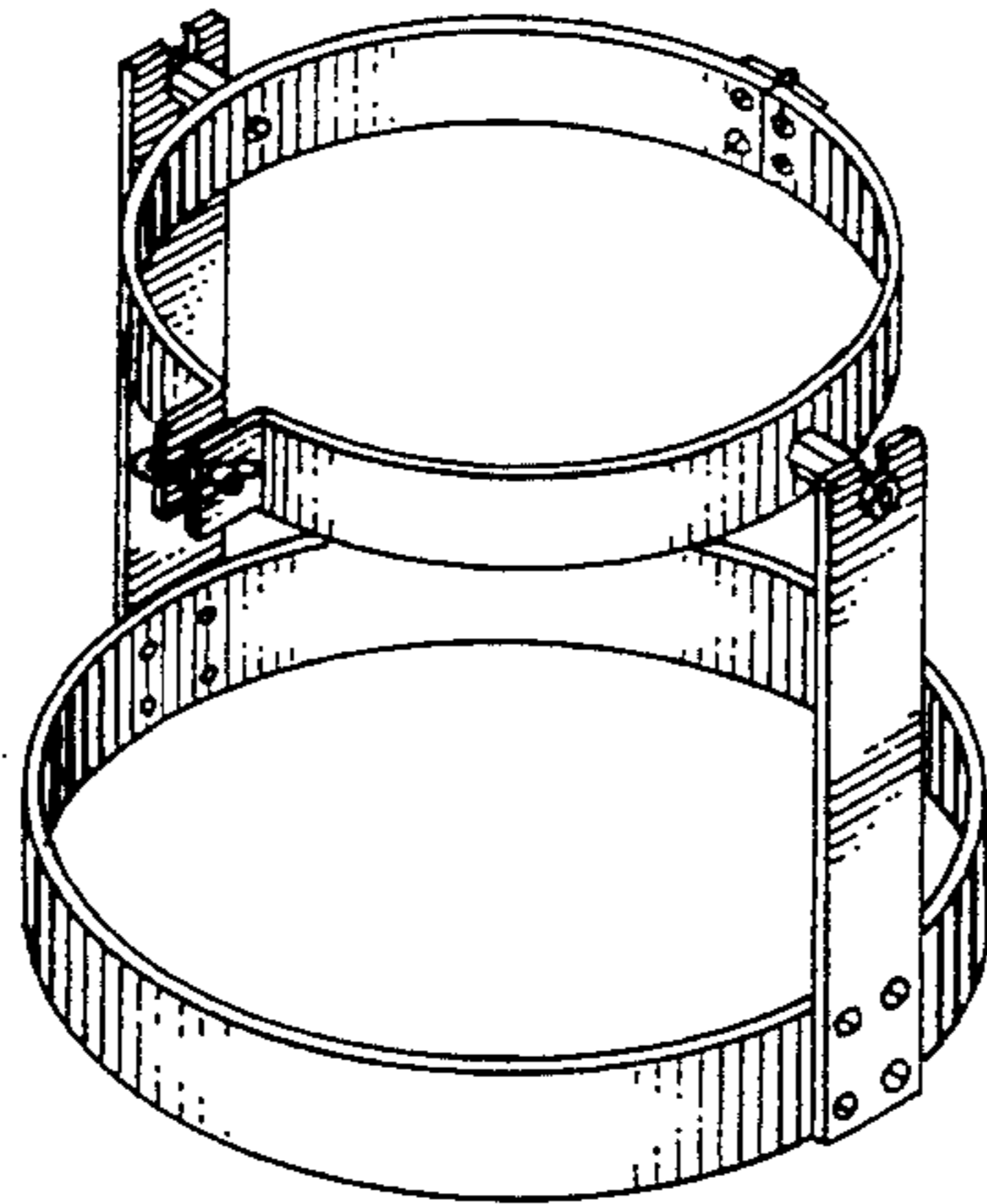


FIG. 1.

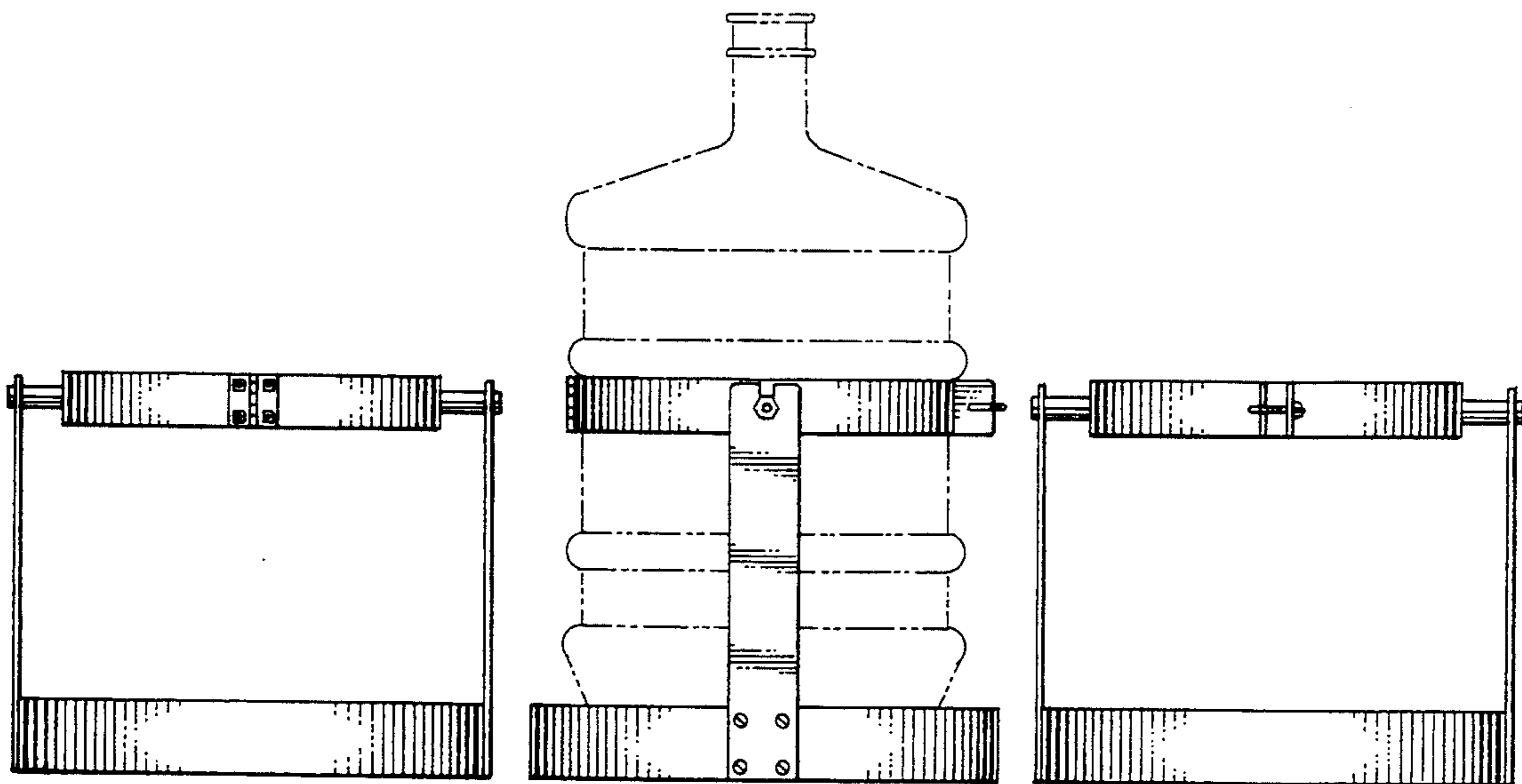


FIG. 3.

FIG. 2.

FIG. 4.

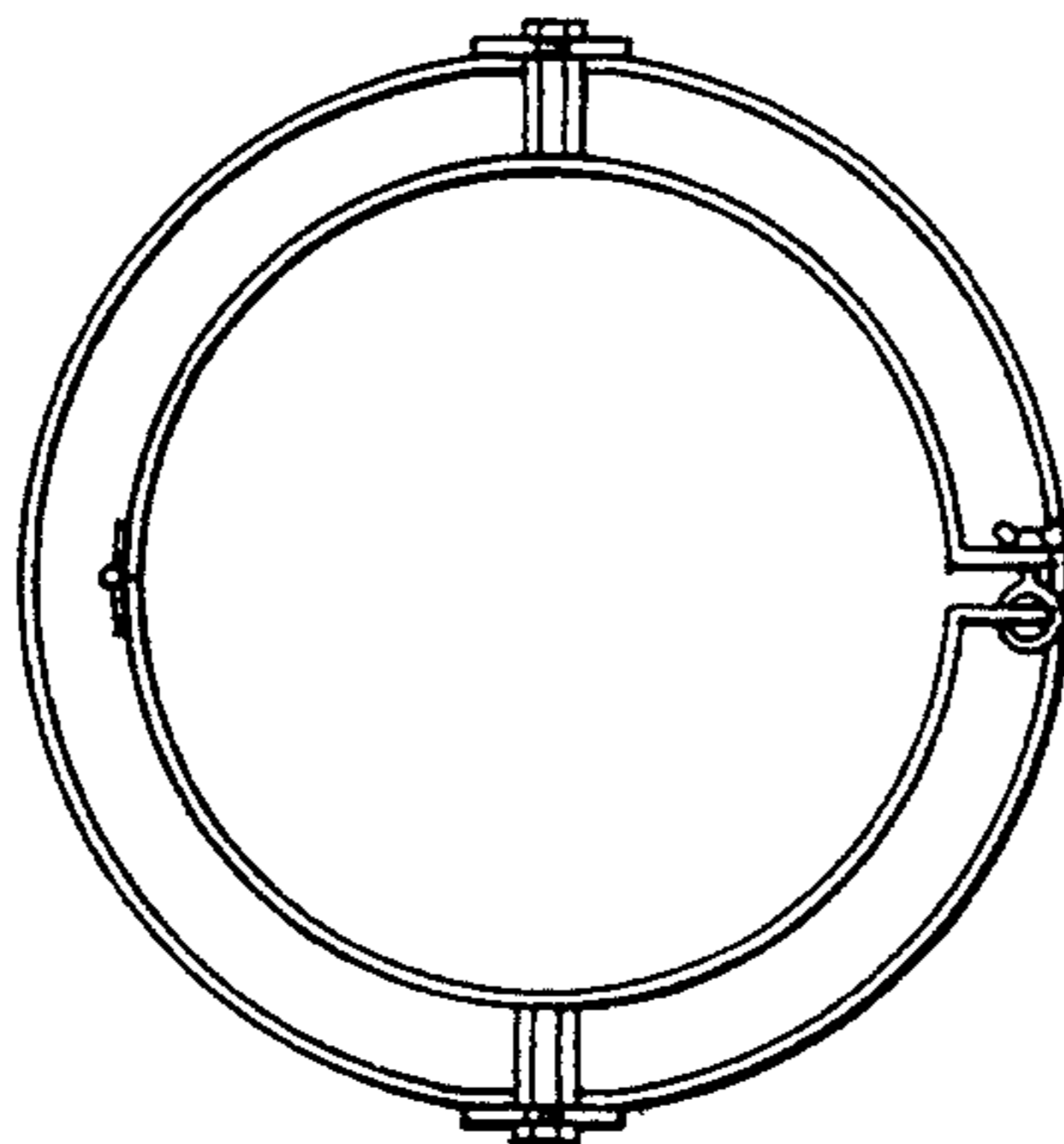


FIG. 5.