



US00D350482S

United States Patent [19]

[11] Patent Number: **Des. 350,482**

Hu et al.

[45] Date of Patent: **** Sep. 13, 1994**

[54] **COMBINATION CAP AND NOZZLE UNIT**

[75] Inventors: **Antonio C. Hu**, Palo Alto, Calif.;
Peter W. Hamilton, Cincinnati;
Leane K. Davis, Milford, both of Ohio

[73] Assignee: **The Procter & Gamble Company**, Cincinnati, Ohio

[**] Term: **14 Years**

[21] Appl. No.: **825,188**

[22] Filed: **Jan. 24, 1992**

[52] U.S. Cl. **D9/448; D9/445; D9/446; D9/447**

[58] Field of Search **D9/434-436, D9/444-447, 448-449, 450-454; 215/201, 234-236**

[56] **References Cited**

U.S. PATENT DOCUMENTS

D. 200,182	1/1965	Crowell et al.	D9/448
D. 264,939	6/1982	Stock	D9/453 X
D. 264,941	6/1982	Stock	D9/453 X
D. 314,147	1/1991	Davis	D9/446
3,104,039	9/1963	Dike	D9/450 X
3,107,035	10/1963	Cholet	D9/447 X
4,854,473	8/1989	Dubach	215/235 X
5,115,931	5/1992	Dubach	215/235
5,143,234	9/1992	Lohrman et al.	215/235
5,148,912	9/1992	Nozawa	215/235 X

OTHER PUBLICATIONS

Polytop Dispensing Closures Ad, Packaging Engineering, Apr. 1981, p. 120.

Primary Examiner—Alan P. Douglas
Assistant Examiner—Robert M. Spear

Attorney, Agent, or Firm—Michael E. Hilton; Kevin C. Johnson; Ronald W. Kock

[57] **CLAIM**

The ornamental appearance for a combination cap and nozzle unit, as shown and described.

DESCRIPTION

FIG. 1 is a top plan view of a combination cap and nozzle unit embodying our new design, in a closed configuration;

FIG. 2 is a rear elevational view thereof;

FIG. 3 is a front elevational view thereof;

FIG. 4 is a right side elevational thereof, the opposite side being a mirror image thereof;

FIG. 5 is a bottom plan view thereof;

FIG. 6 is an isometric view thereof;

FIG. 7 is a top plan view of the combination cap and nozzle unit in an open configuration to more clearly illustrate the combination cap and nozzle unit thereof;

FIG. 8 is a front elevational view of the combination cap and nozzle unit with the cap removed to more clearly illustrate the nozzle thereof;

FIG. 9 is a right side elevational view of the combination cap and nozzle unit in an open configuration, the opposite side being a mirror image thereof;

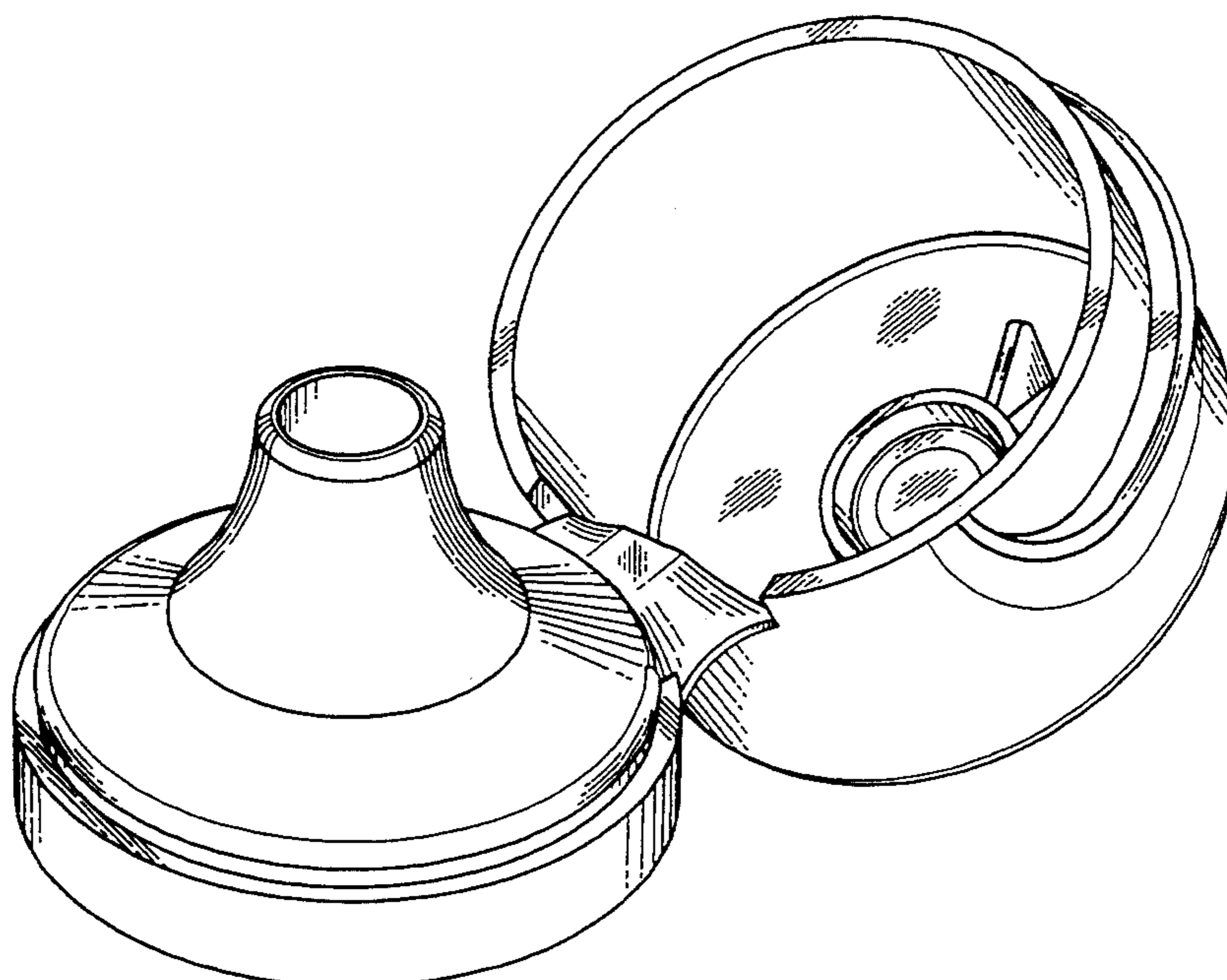
FIG. 10 is a rear elevational view of the combination cap and nozzle unit with the cap removed to more clearly illustrate the nozzle thereof;

FIG. 11 is a bottom plan view of the combination cap and nozzle unit in an open configuration thereof;

FIG. 12 is an isometric view thereof;

FIG. 13 is a right side elevational view thereof, with a partial cutaway of the cap to more clearly disclose the tab of FIG. 12; and,

FIG. 14 is a partial bottom plan view of the cap portion thereof.



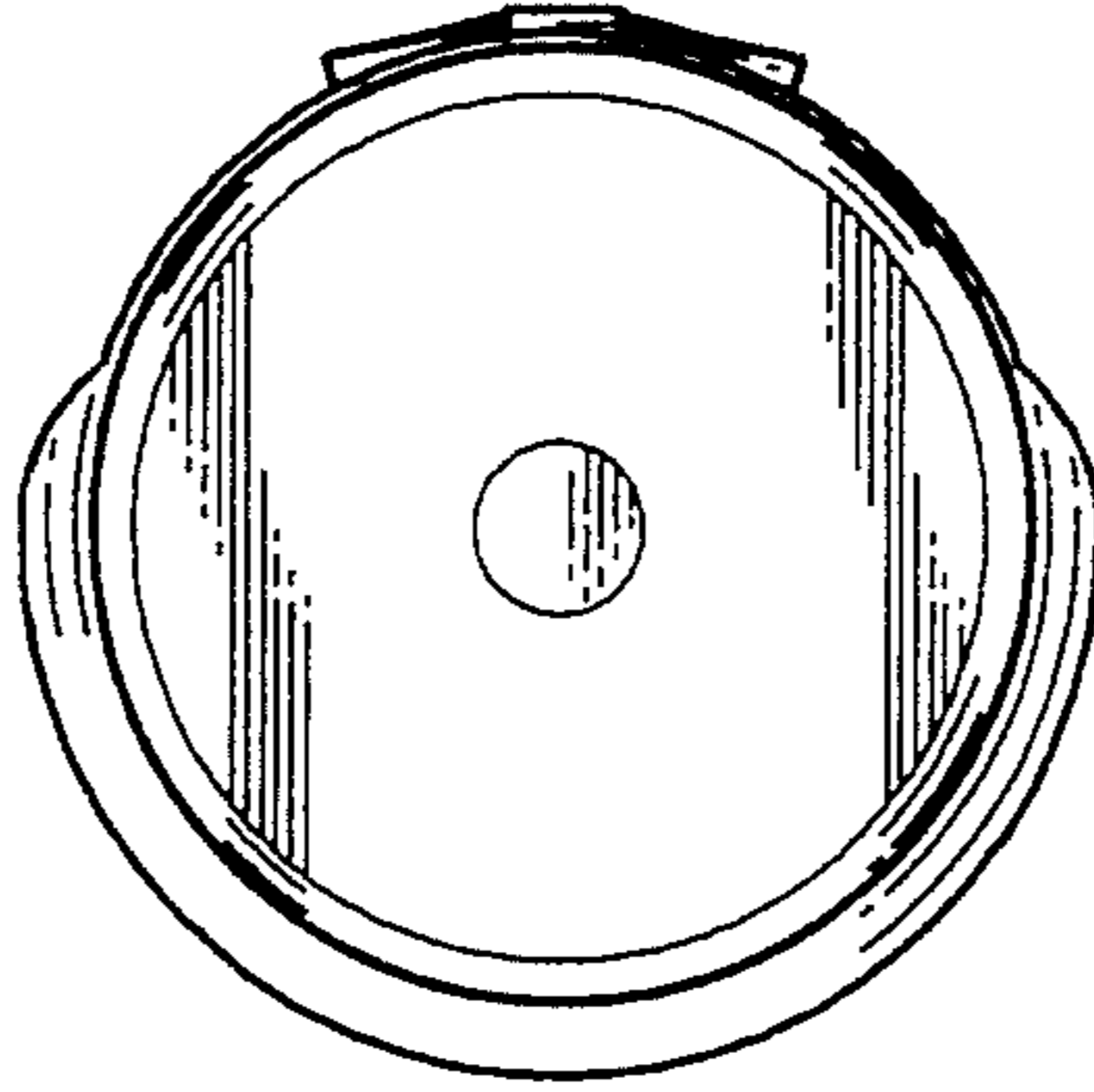


Fig. 1

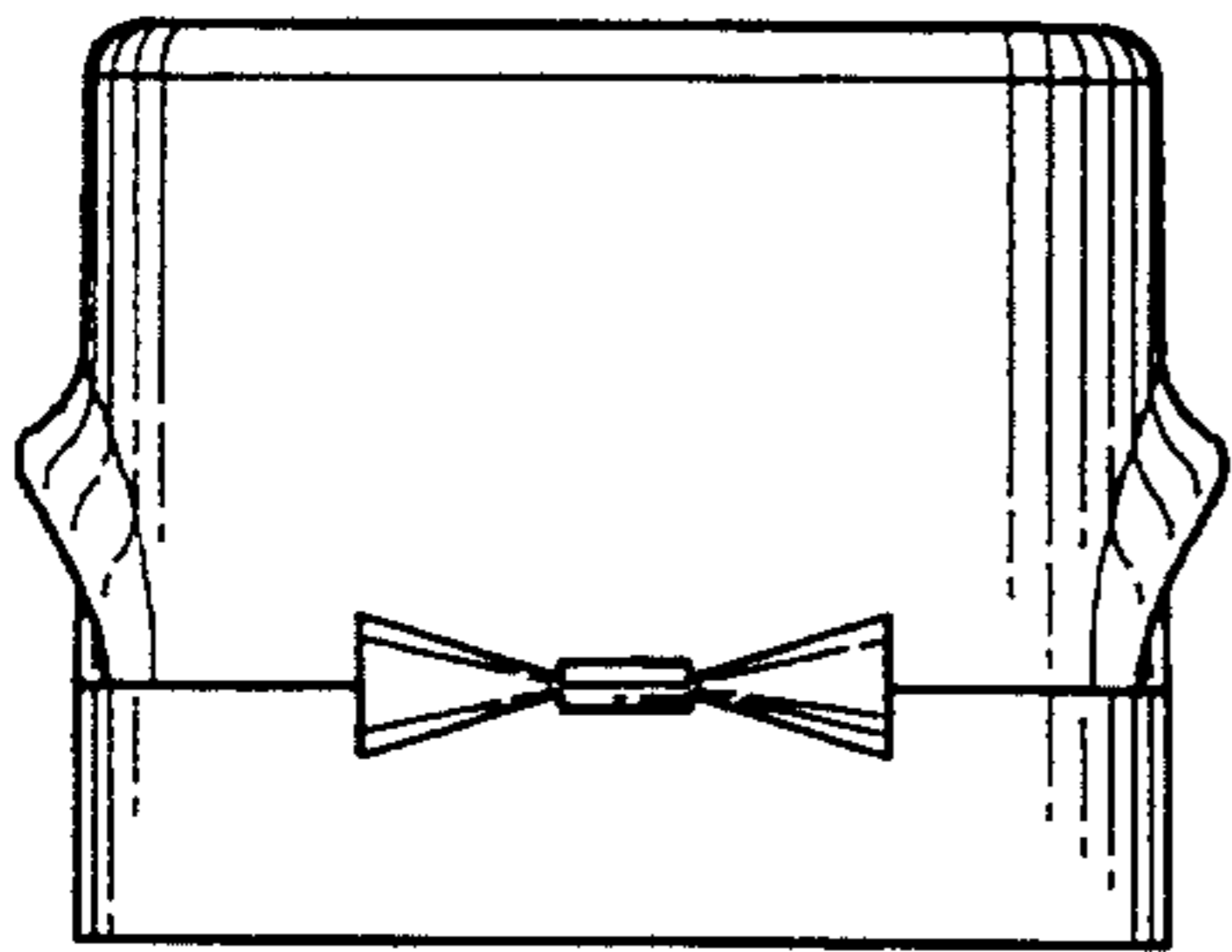


Fig. 2

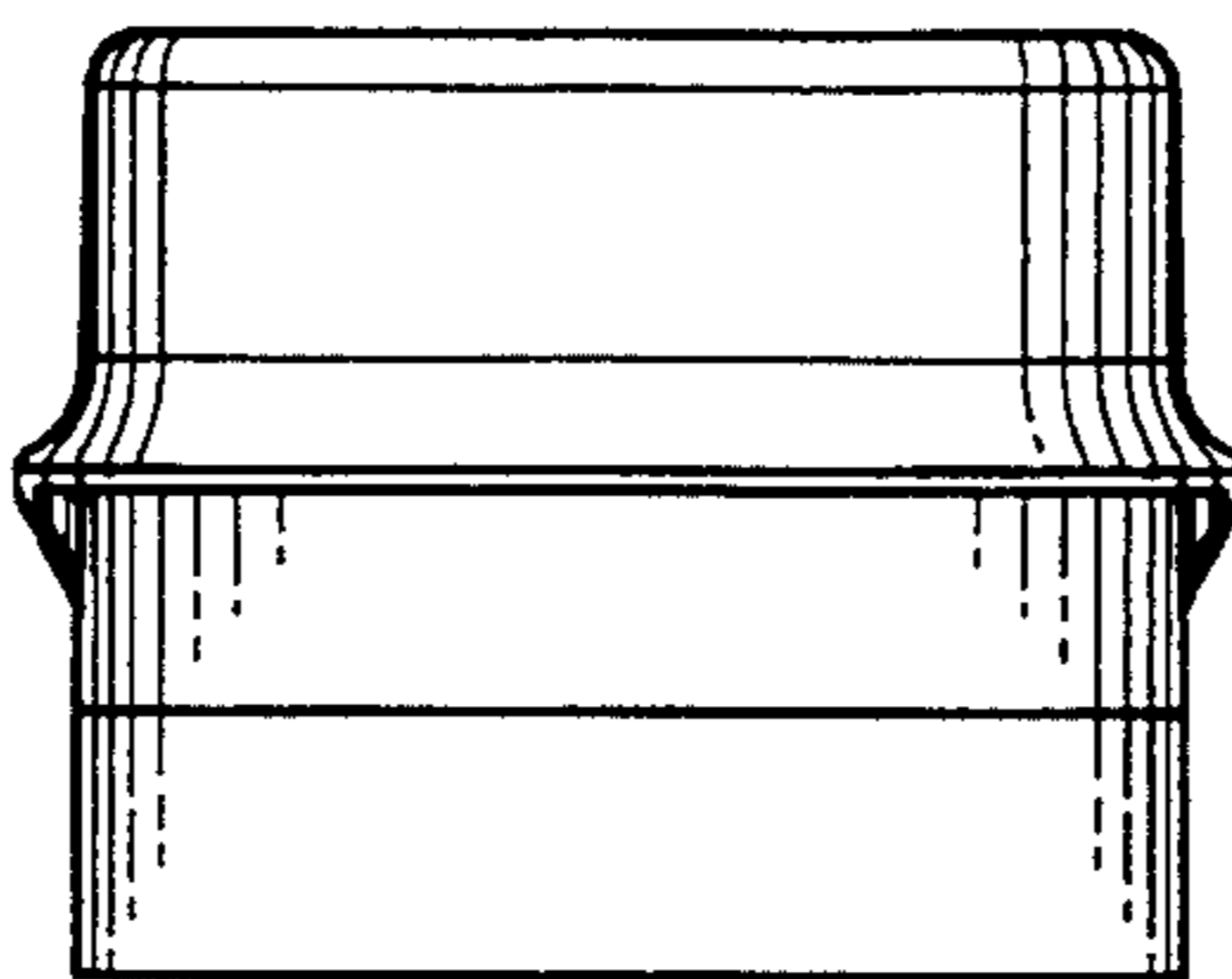


Fig. 3

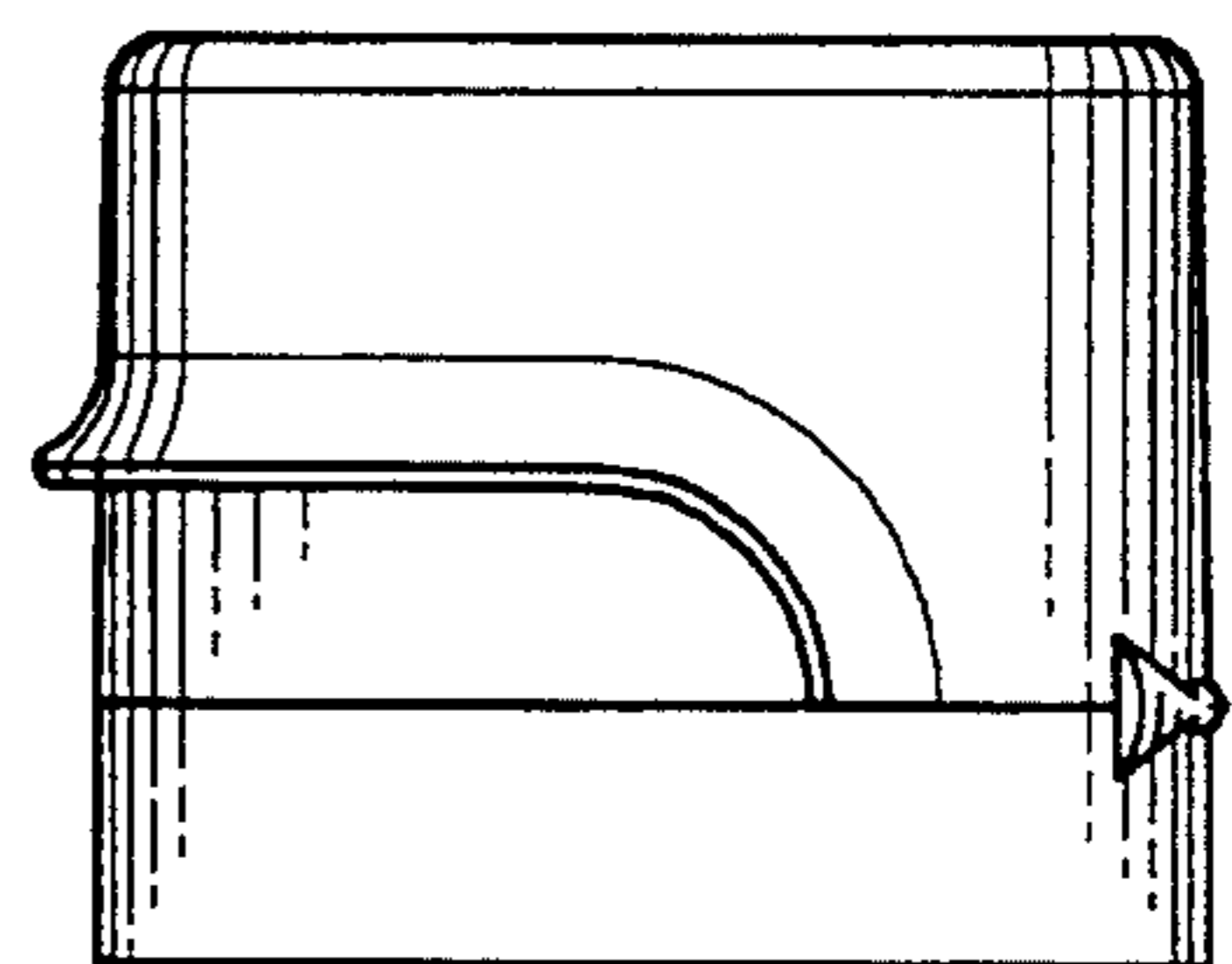


Fig. 4

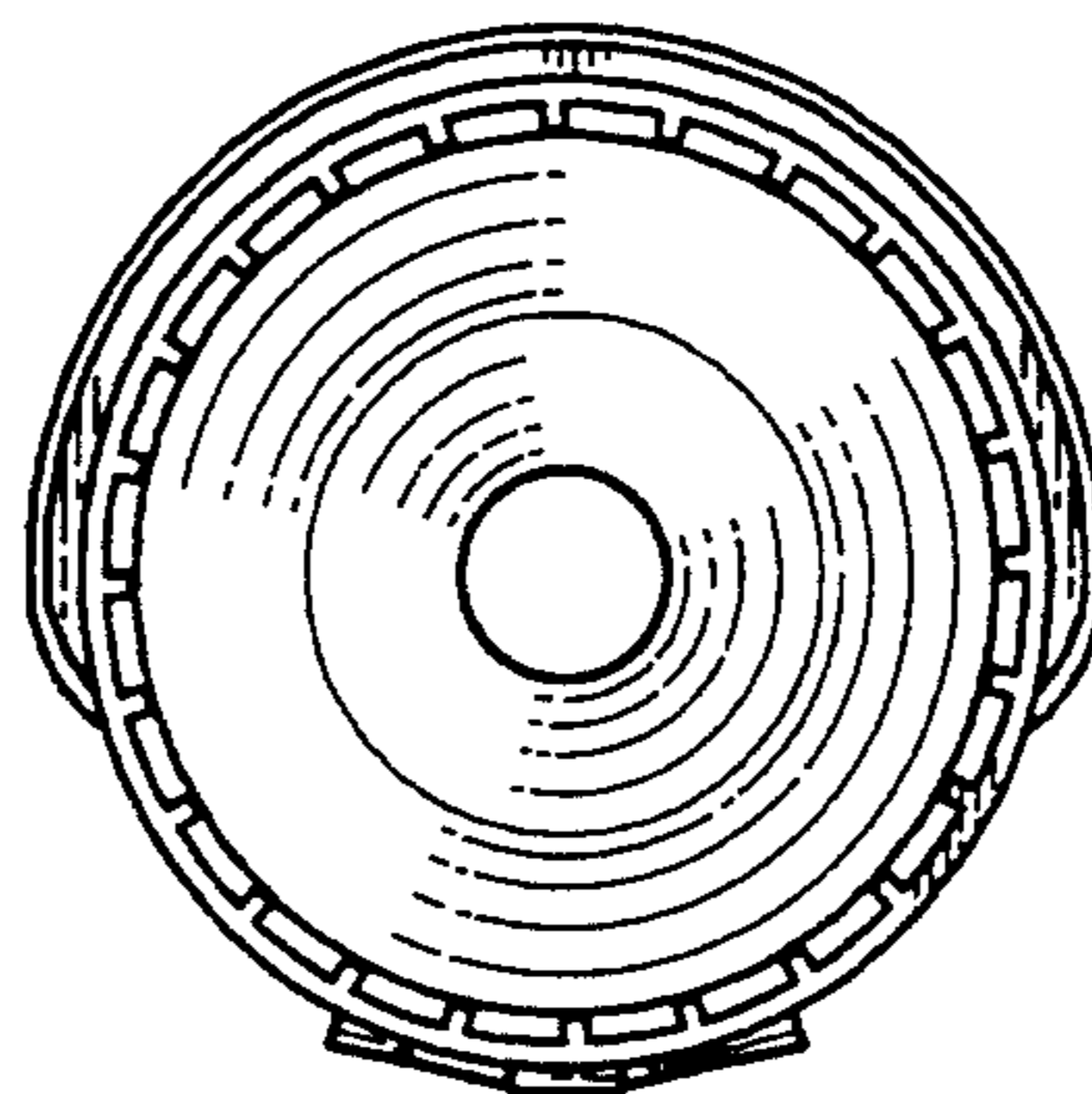


Fig. 5

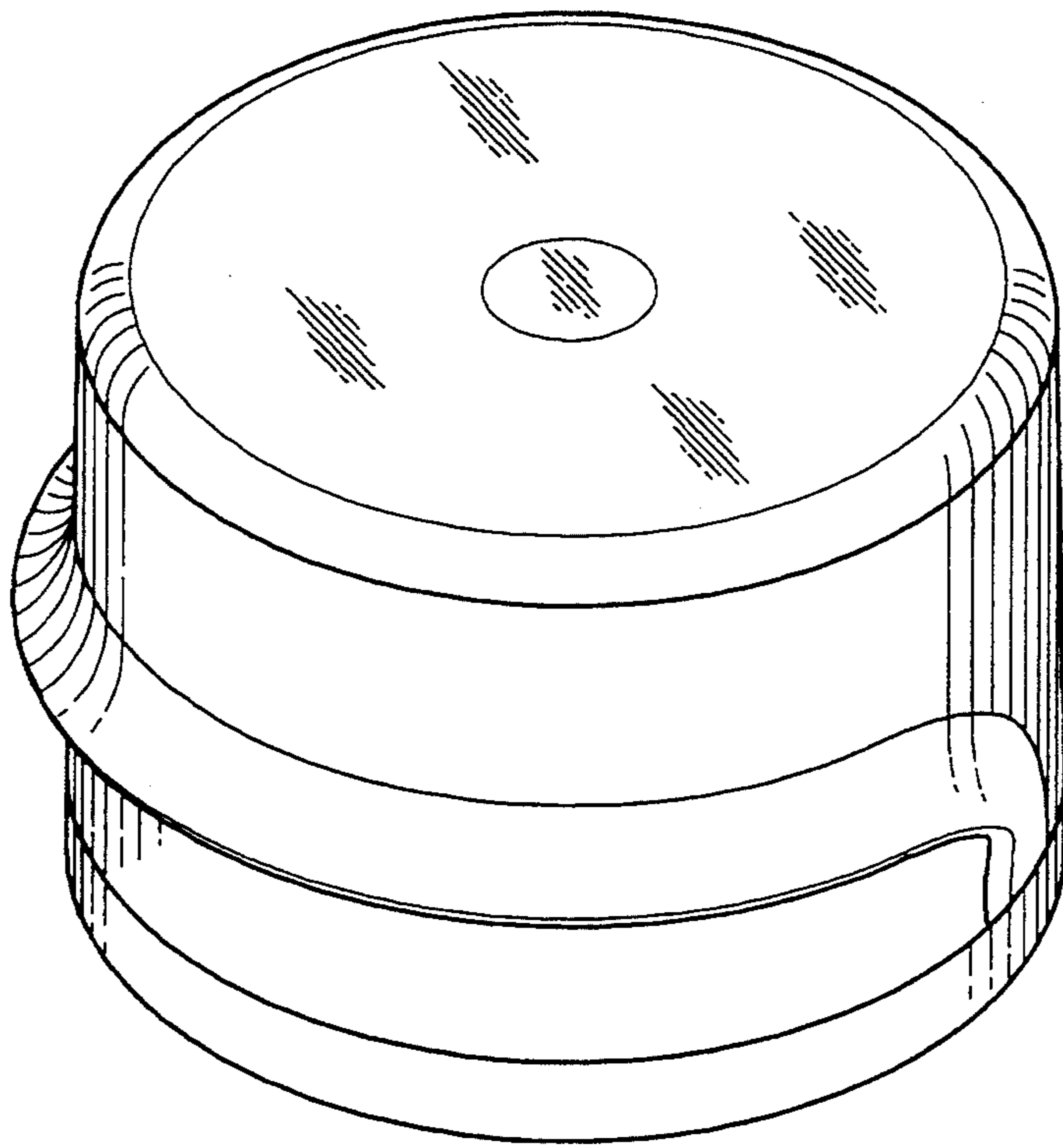


Fig. 6

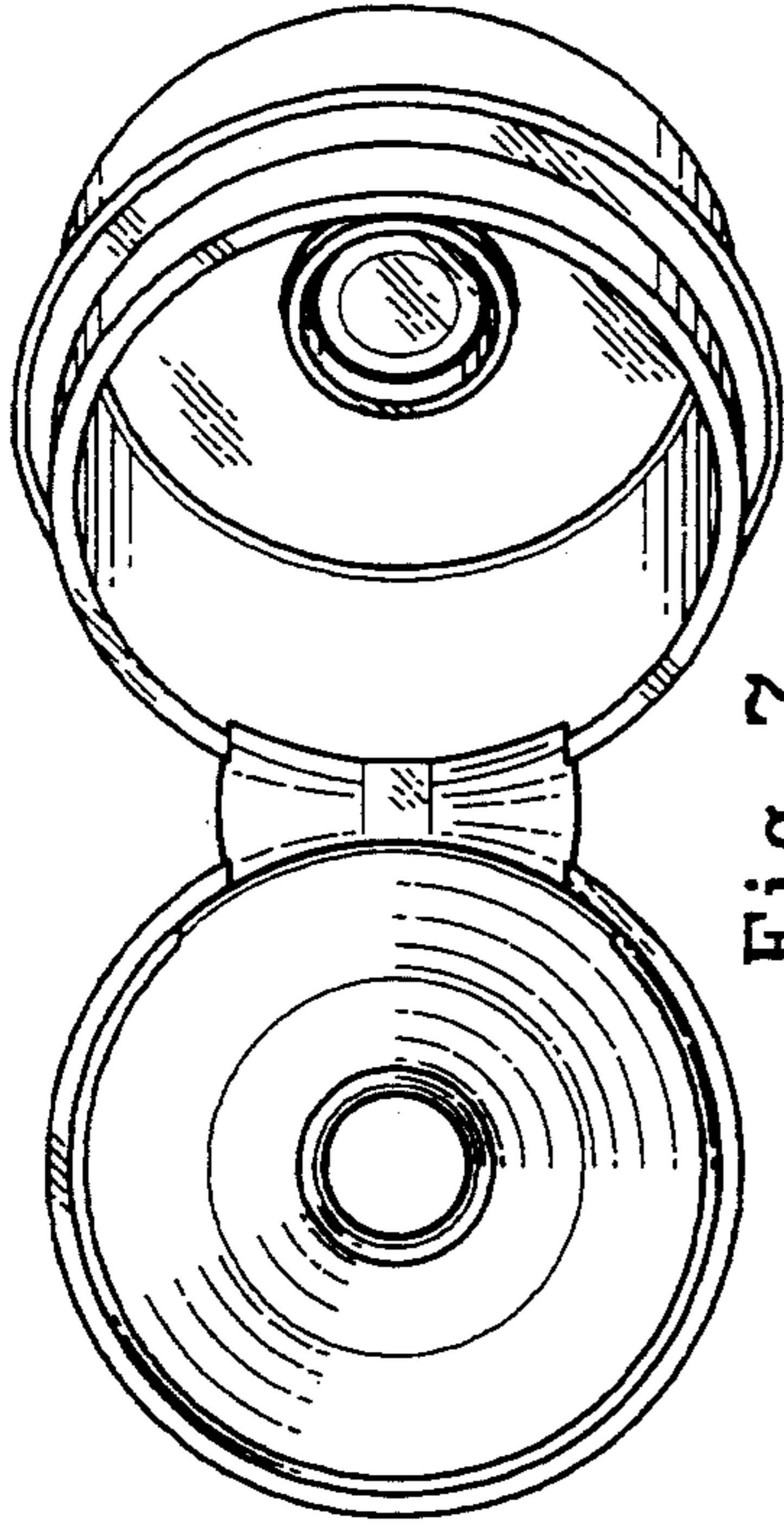


Fig. 7

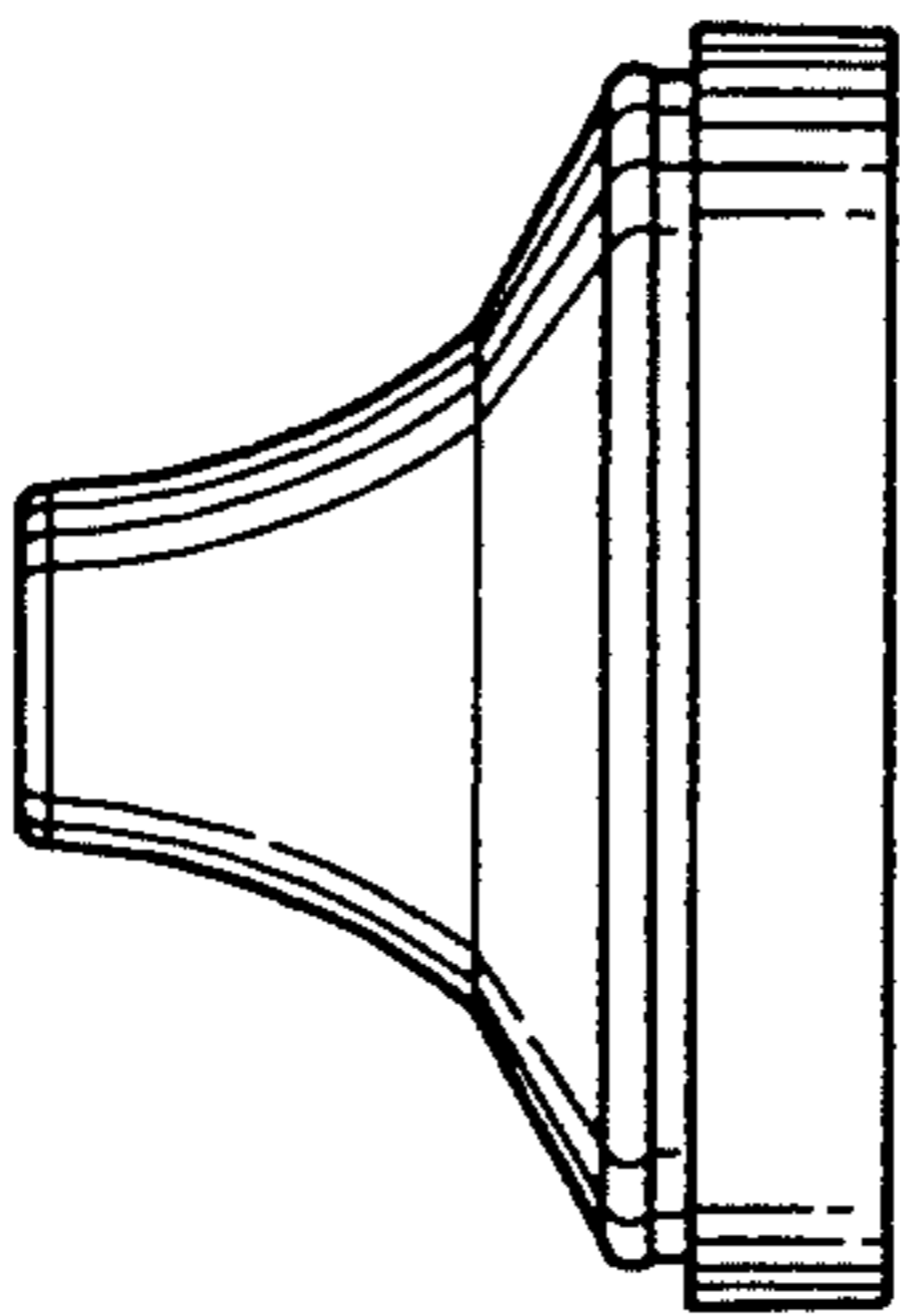


Fig. 8

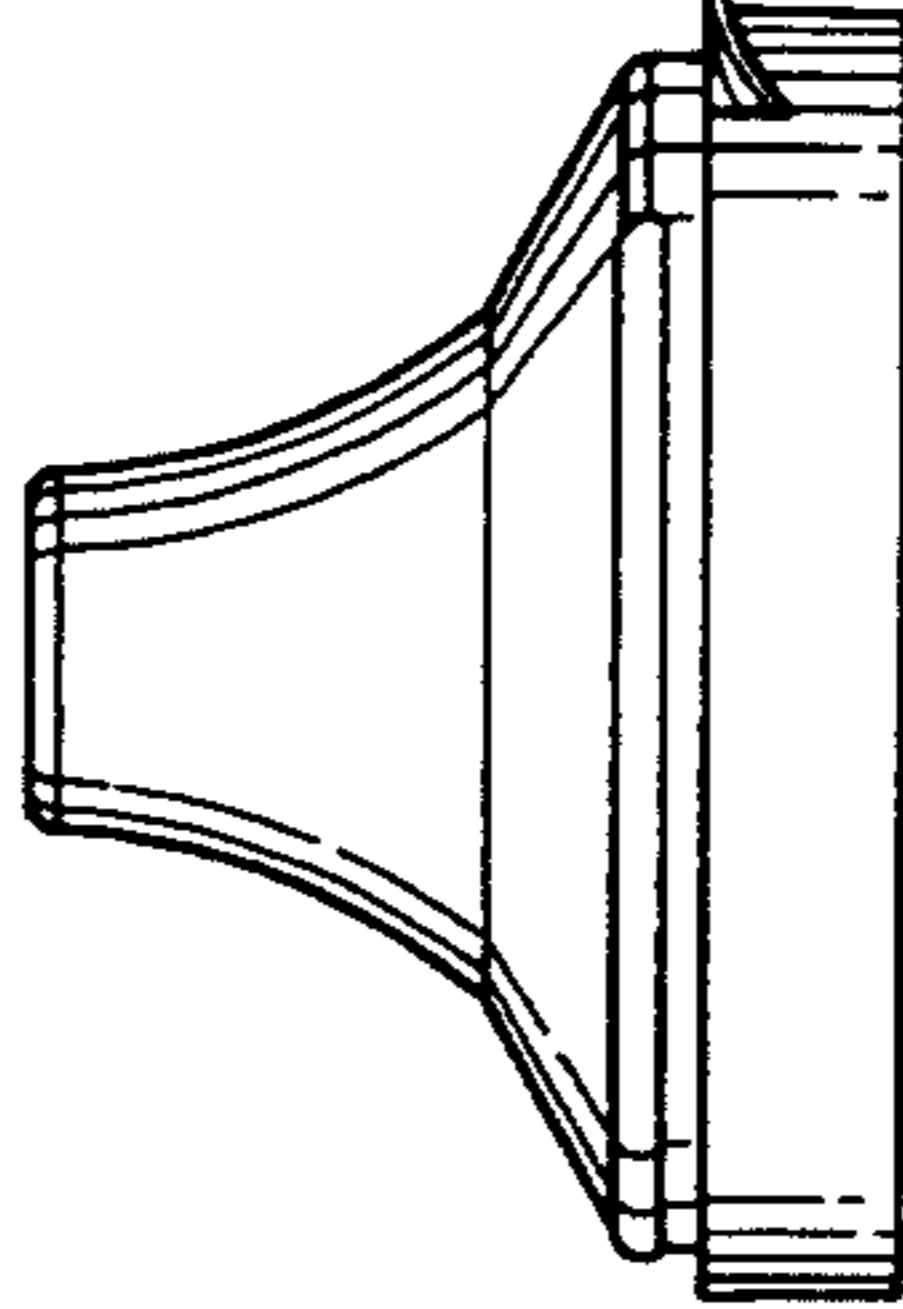


Fig. 9

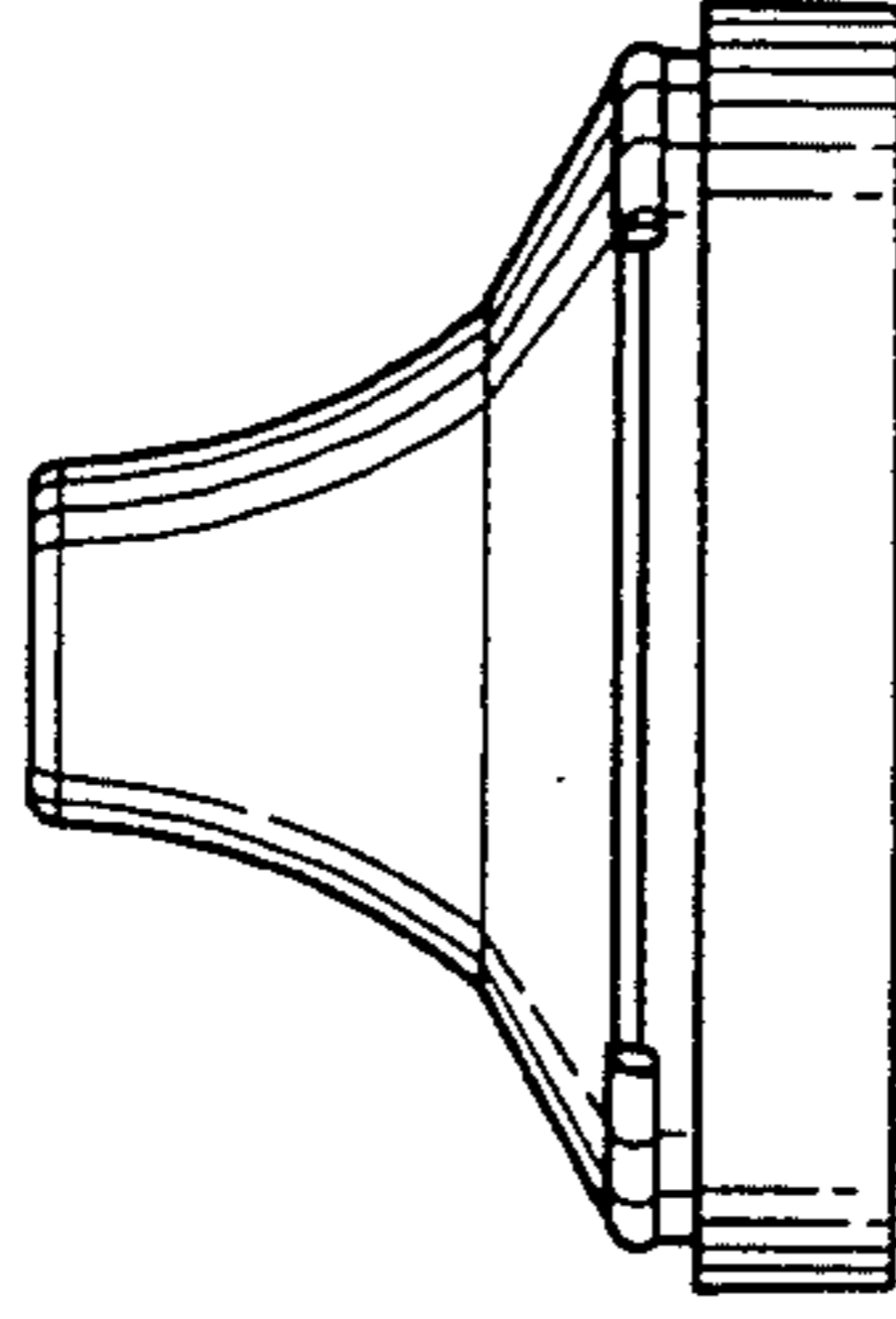


Fig. 10

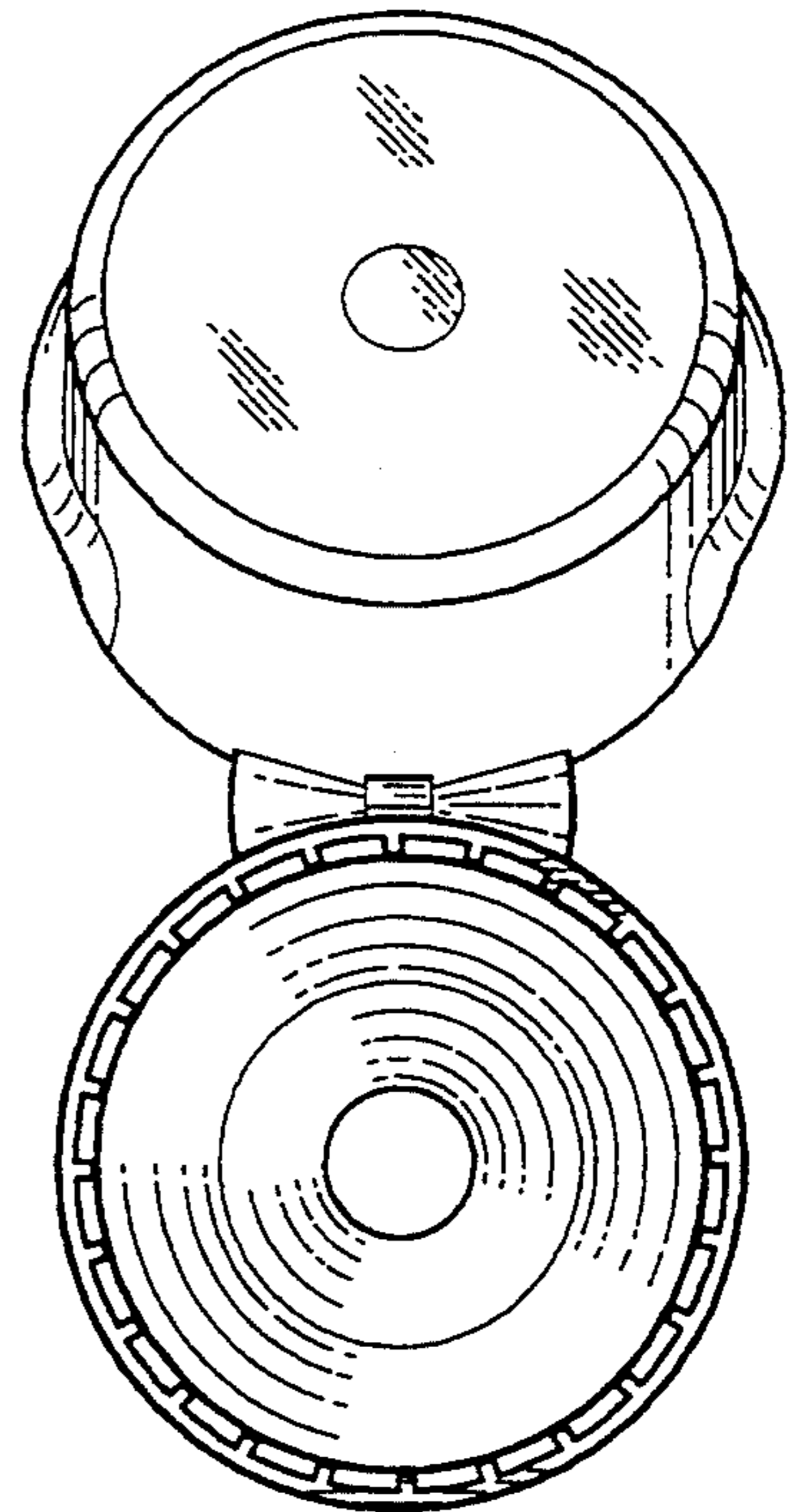


Fig. 11

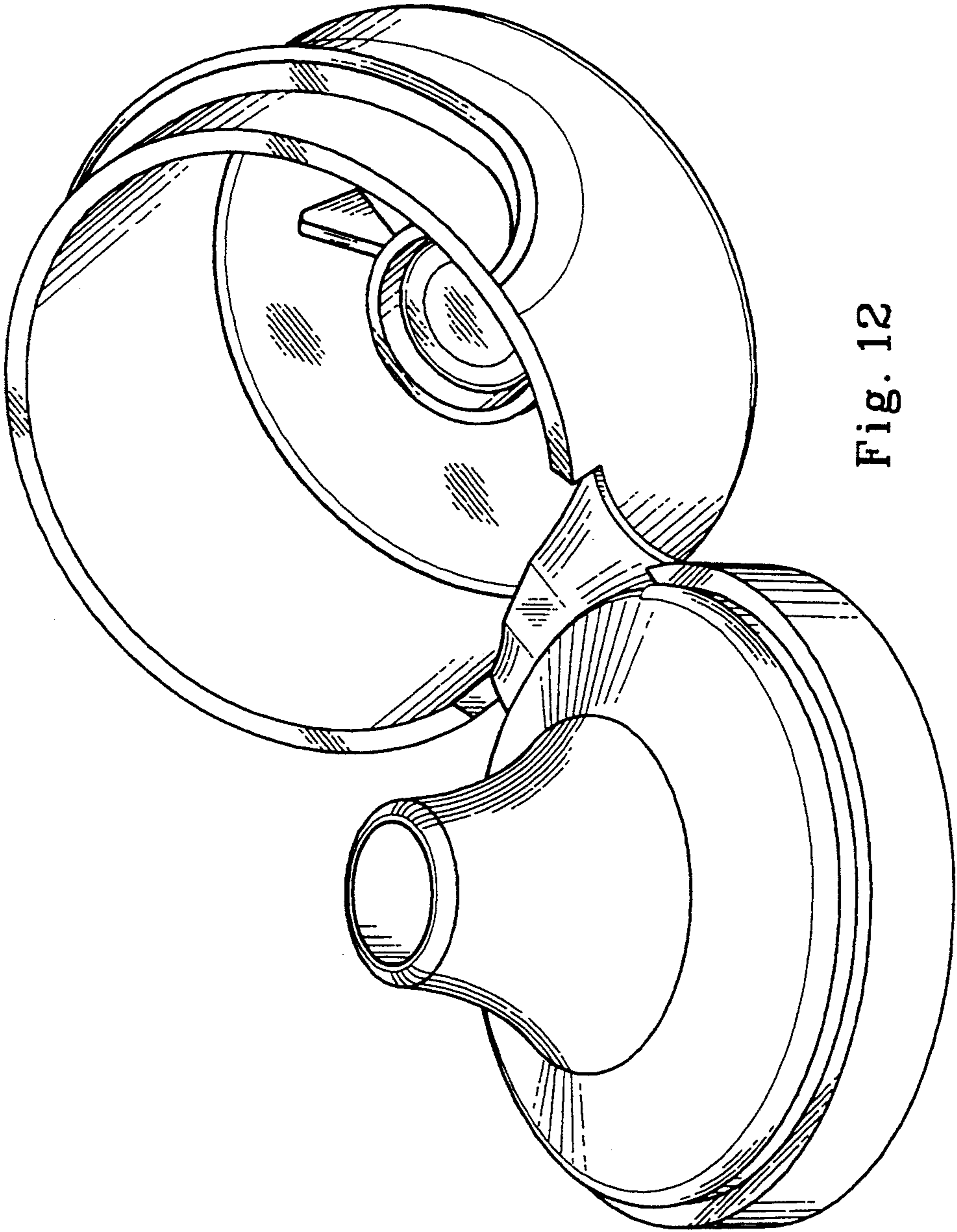


Fig. 12

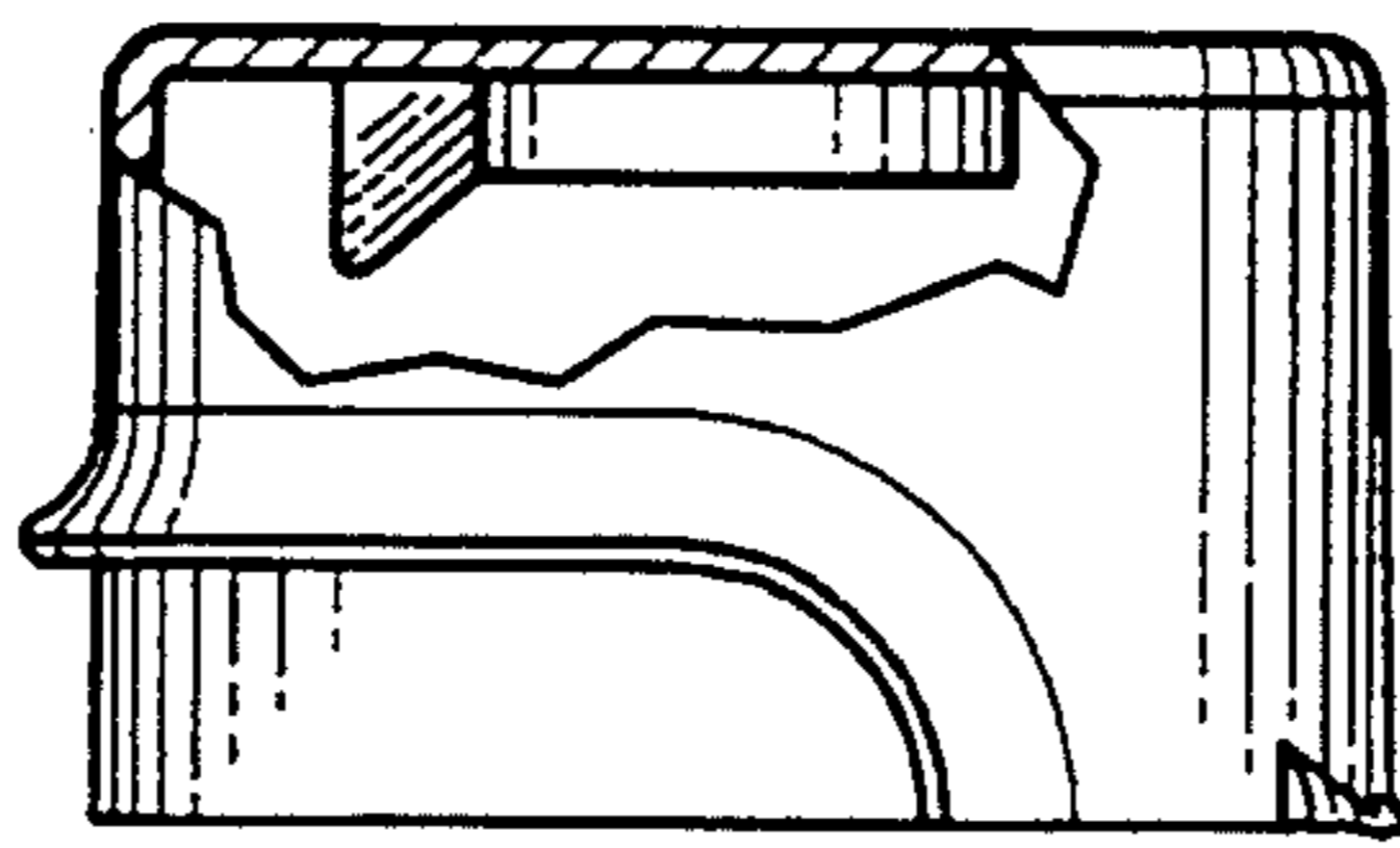


Fig. 13

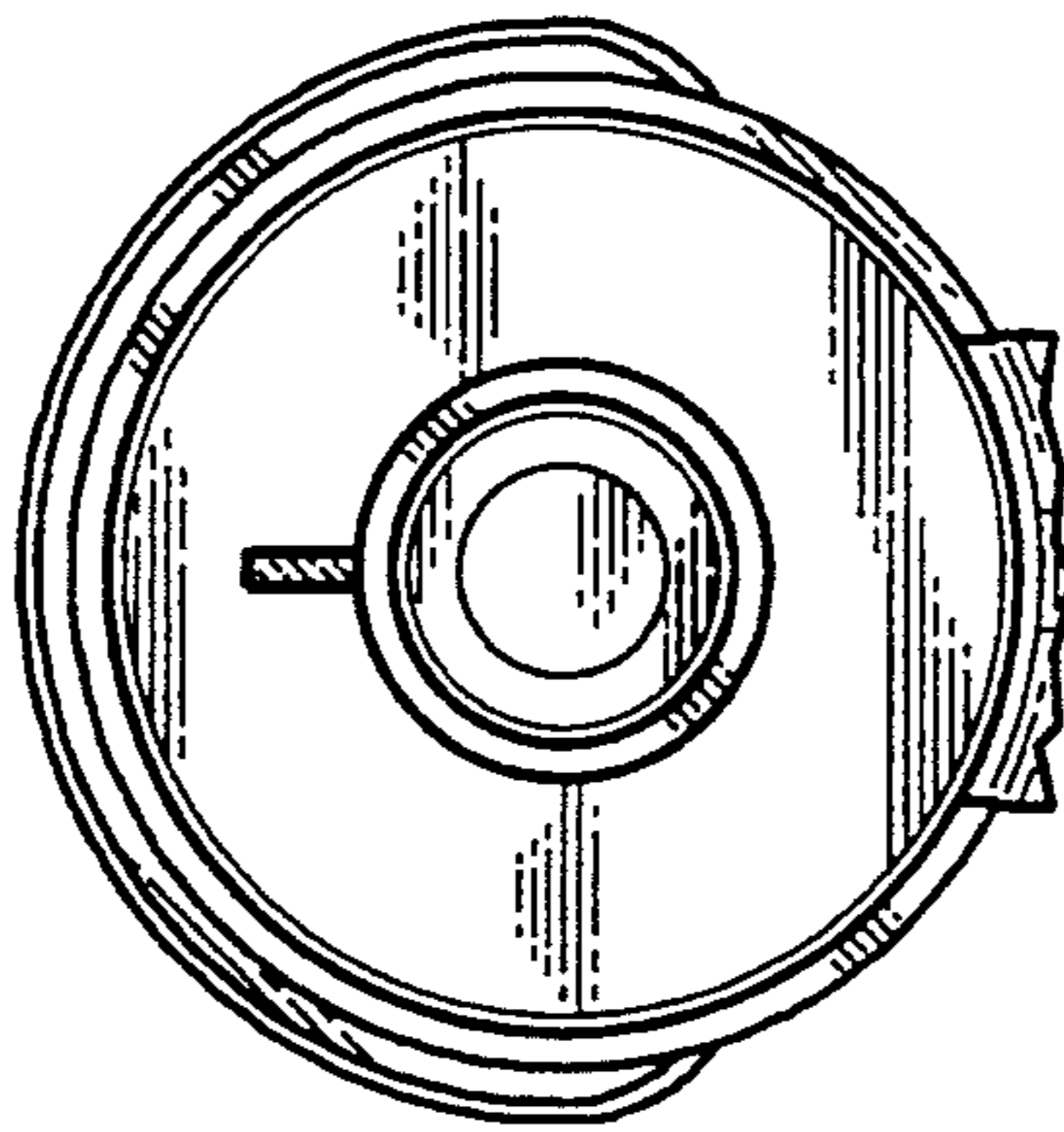


Fig. 14