



US00D350481S

United States Patent [19]

[11] Patent Number: **Des. 350,481**

DeLury

[45] Date of Patent: **** Sep. 13, 1994**

[54] **PLASTIC LID ASHTRAY FOR BEVERAGE CANS**

4,634,014 1/1987 Carr 131/231 X
4,708,258 11/1987 Shaw et al. 220/288
4,717,037 1/1988 van der Meulen 220/703

[76] Inventor: **Robert J. DeLury**, 8525 Horizon La., Hudson, Fla. 33567

Primary Examiner—Alan P. Douglas
Assistant Examiner—Robert M. Spear
Attorney, Agent, or Firm—Stanley M. Miller

[**] Term: **14 Years**

[21] Appl. No.: **909,447**

[57] **CLAIM**

[22] Filed: **Jul. 6, 1992**

The ornamental design for a plastic lid ashtray for beverage cans, as shown and described.

[52] U.S. Cl. **D9/436; D27/133**

DESCRIPTION

[58] Field of Search D9/434, 435, 436, 443, D9/452, 454, 455; 131/174, 222, 231, 238, 240.1, 241-242; 220/700, 703, 718, 288; 222/86; D27/102, 125, 133

FIG. 1 is an isometric perspective view of a plastic lid ashtray for beverage cans showing my new design superimposed over a phantom-lined depiction of a standard aluminum beverage can;

[56] **References Cited**

U.S. PATENT DOCUMENTS

| | | | | | |
|------------|---------|------------|-------|---------|---|
| D. 259,704 | 6/1981 | Castronovo | | D9/445 | X |
| D. 266,879 | 11/1982 | Pastirik | | D27/133 | |
| 2,714,464 | 8/1955 | Cline | | 131/242 | X |
| 2,729,956 | 1/1956 | Gilbert | | 220/703 | X |
| 2,778,521 | 1/1957 | Cagle | | 215/228 | |
| 4,133,319 | 1/1979 | Bloomfield | | 220/713 | X |
| 4,312,346 | 1/1982 | Grigg | | 131/242 | |
| 4,423,743 | 1/1984 | Spielvogel | | 131/241 | X |

FIG. 2 is a top planar view of the invention;

FIG. 3 is a bottom planar view of the invention;

FIG. 4 is a side elevational view of the invention, which, being frusto-conical in configuration, is the same for all four sides of the invention; and,

FIG. 5 is a cross-sectional view taken along the line 5-5 of FIG. 4.

The phantom-lined depiction of a standard aluminum beverage can in FIG. 1 is for illustrative purposes only and forms no part of the claimed design.

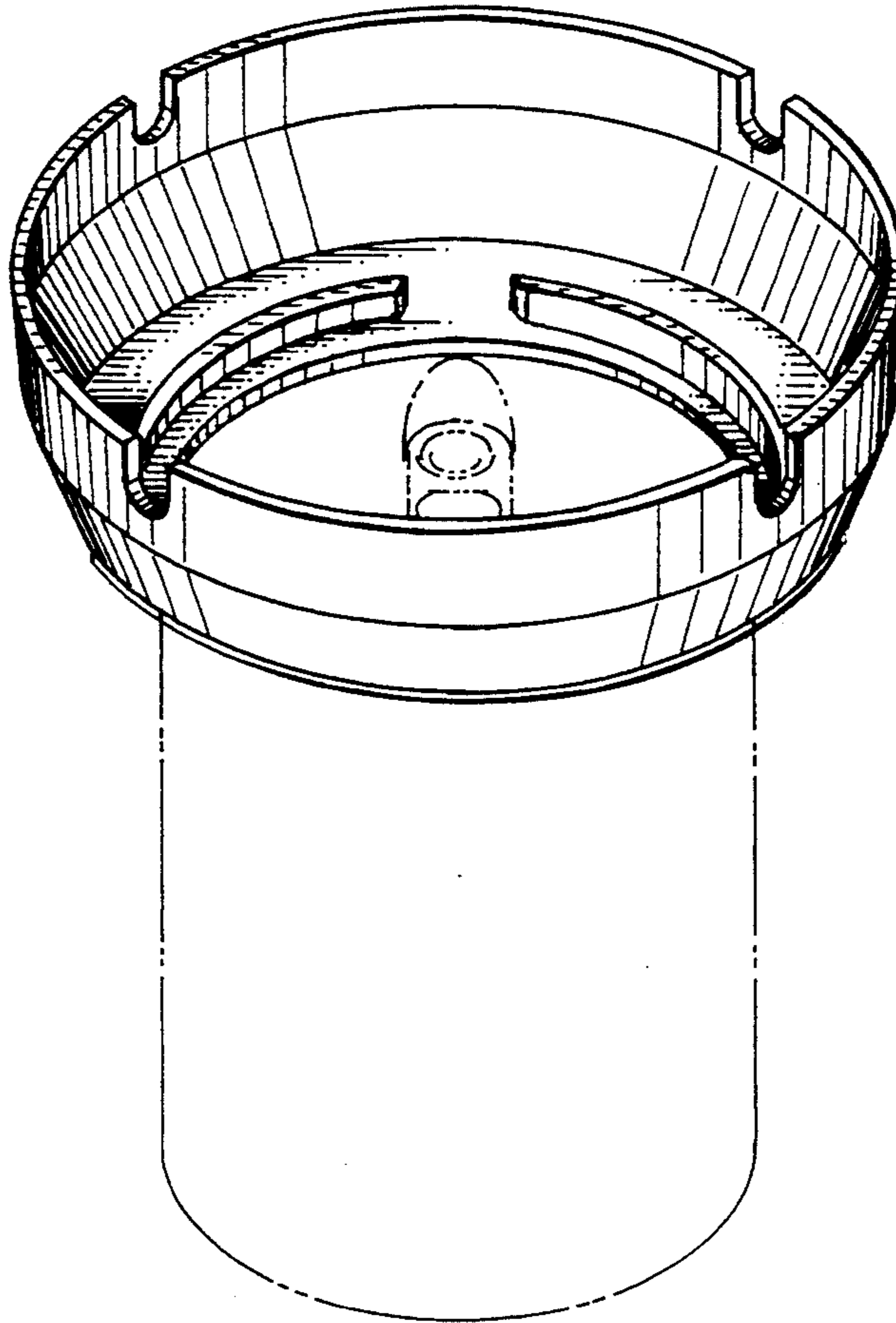


Fig. 1

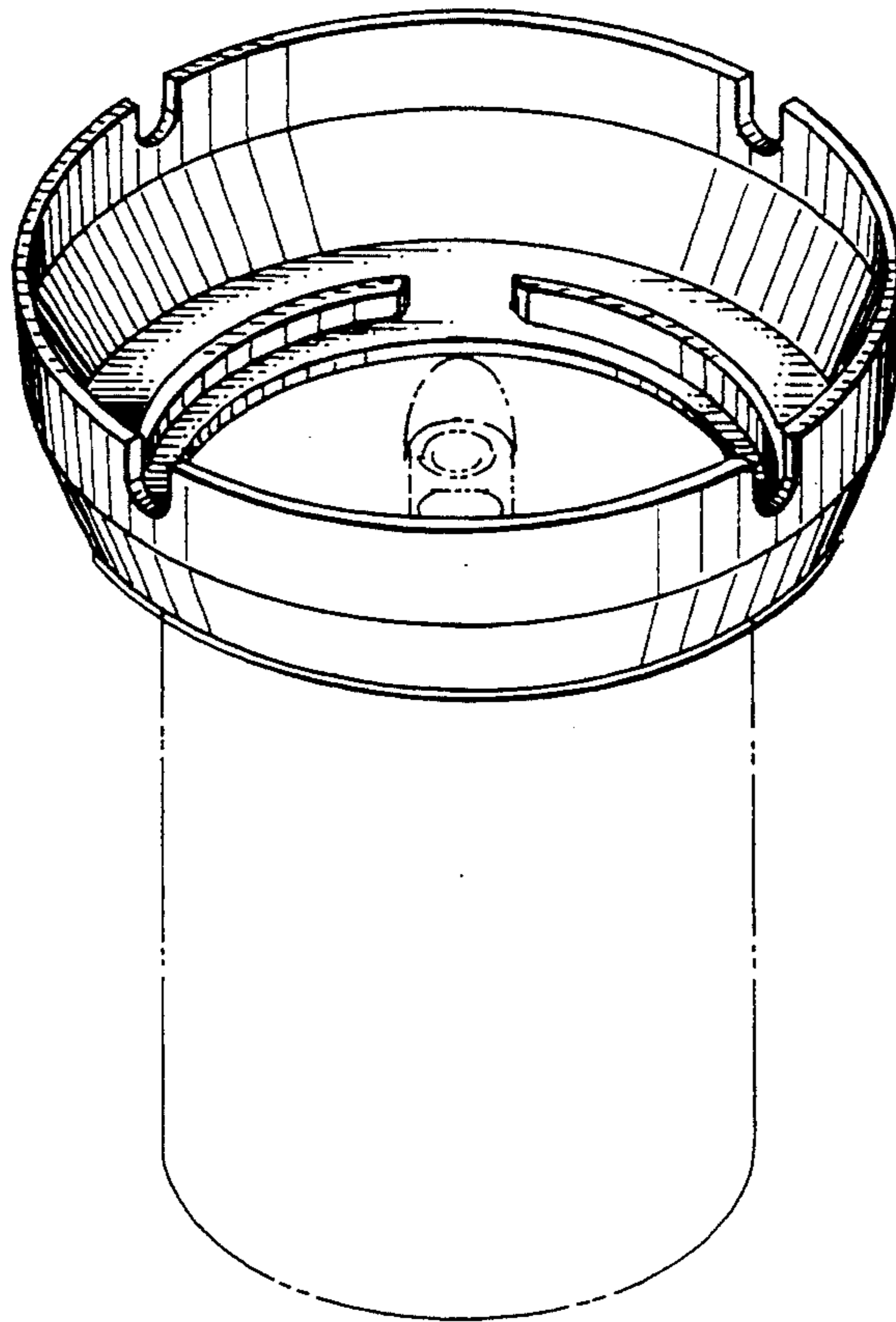


Fig. 2

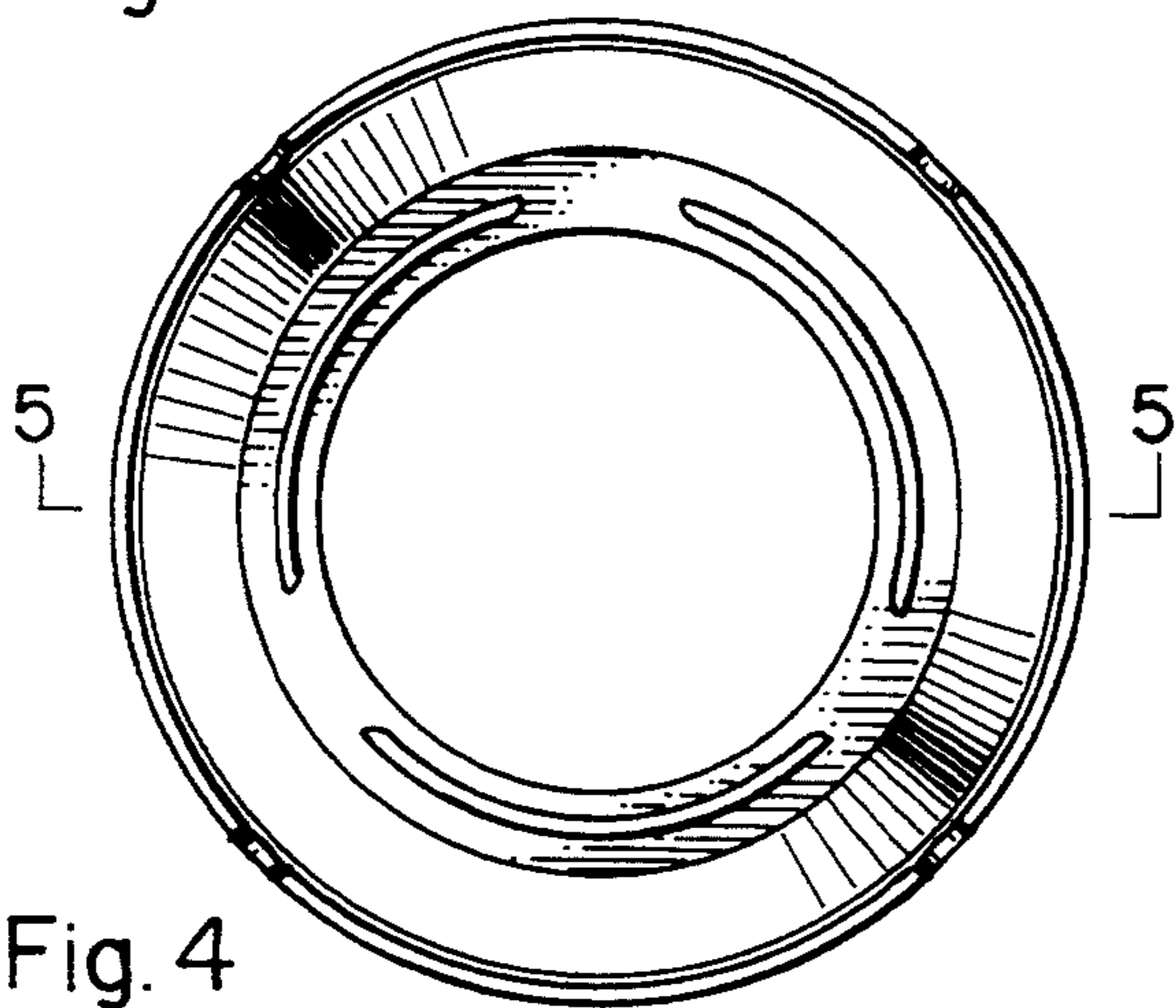


Fig. 3

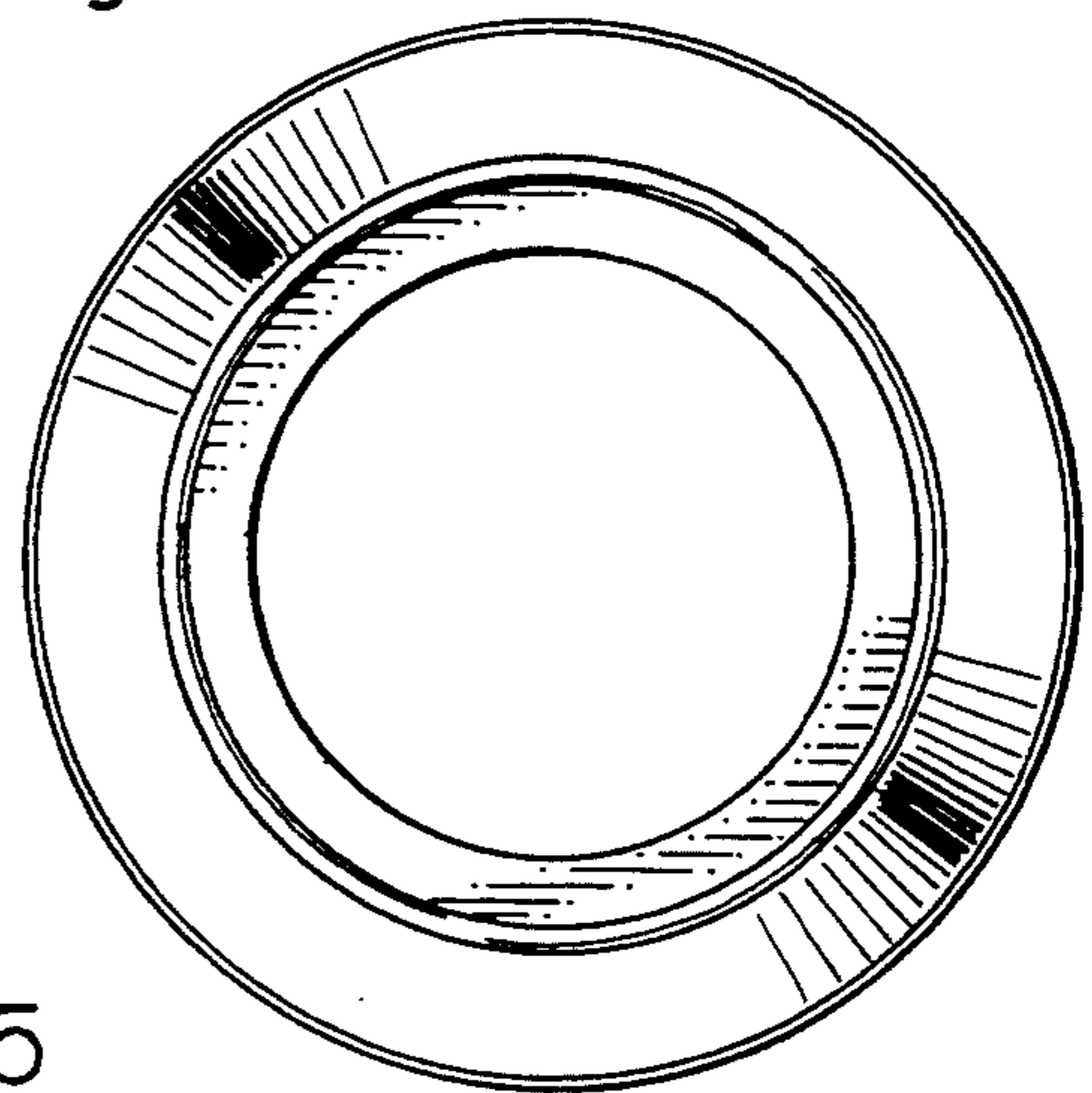


Fig. 4

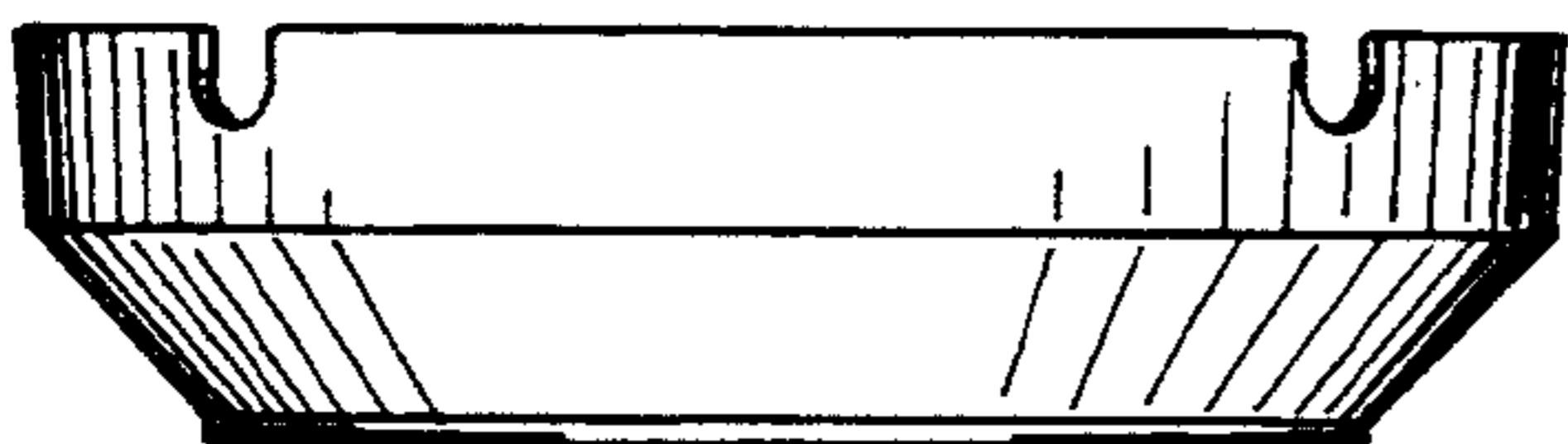


Fig. 5

