



US00D350474S

United States Patent [19]

[11] Patent Number: **Des. 350,474**

Asami

[45] Date of Patent: **** Sep. 13, 1994**

[54] NUT FOR CONNECTING PLATES

[75] Inventor: **Goro Asami**, Yokohama, Japan

[73] Assignee: **Nifco, Inc.**, Yokohama, Japan

[**] Term: **14 Years**

[21] Appl. No.: **851,133**

[22] Filed: **Mar. 11, 1992**

[52] U.S. Cl. **D8/397**

[58] Field of Search **D8/397; 411/520, 522, 411/527, 918**

[56] **References Cited**

U.S. PATENT DOCUMENTS

2,658,248	11/1953	Kost	411/522
2,737,269	3/1956	Flora	411/527
3,073,107	1/1963	Haydon	411/918
3,308,708	3/1967	Holton .	
3,373,789	3/1968	Parkin et al.	D8/397
3,486,158	12/1969	Soltysik et al. .	
3,726,179	4/1973	Friese, Jr.	411/918
3,869,760	3/1975	Meyer	411/522
4,610,588	9/1986	Van Buren, Jr. et al.	411/527

Primary Examiner—B. J. Bullock

Attorney, Agent, or Firm—Jacobson, Price, Holman & Stern

[57] **CLAIM**

The ornamental design for a nut for connecting plates, as shown and described.

DESCRIPTION

FIG. 1 is a top perspective view of the nut for connecting plates embodying my design;
 FIG. 2 is a bottom perspective view of the nut as shown in FIG. 1;
 FIG. 3 is a top plan view of the nut as shown in FIG. 1;
 FIG. 4 is a front elevational view of the nut as shown in FIG. 1;
 FIG. 5 is a rear elevational view of the nut as shown in FIG. 1;
 FIG. 6 is a bottom plan view of the nut as shown in FIG. 1;
 FIG. 7 is a right side elevational view of the nut as shown in FIG. 1;
 FIG. 8 is a left side elevational view of the nut as shown in FIG. 1; and,
 FIG. 9 is a transverse sectional view of the nut as shown in FIG. 1, the screw and portions of two plates being shown in broken lines for illustrative purposes only.

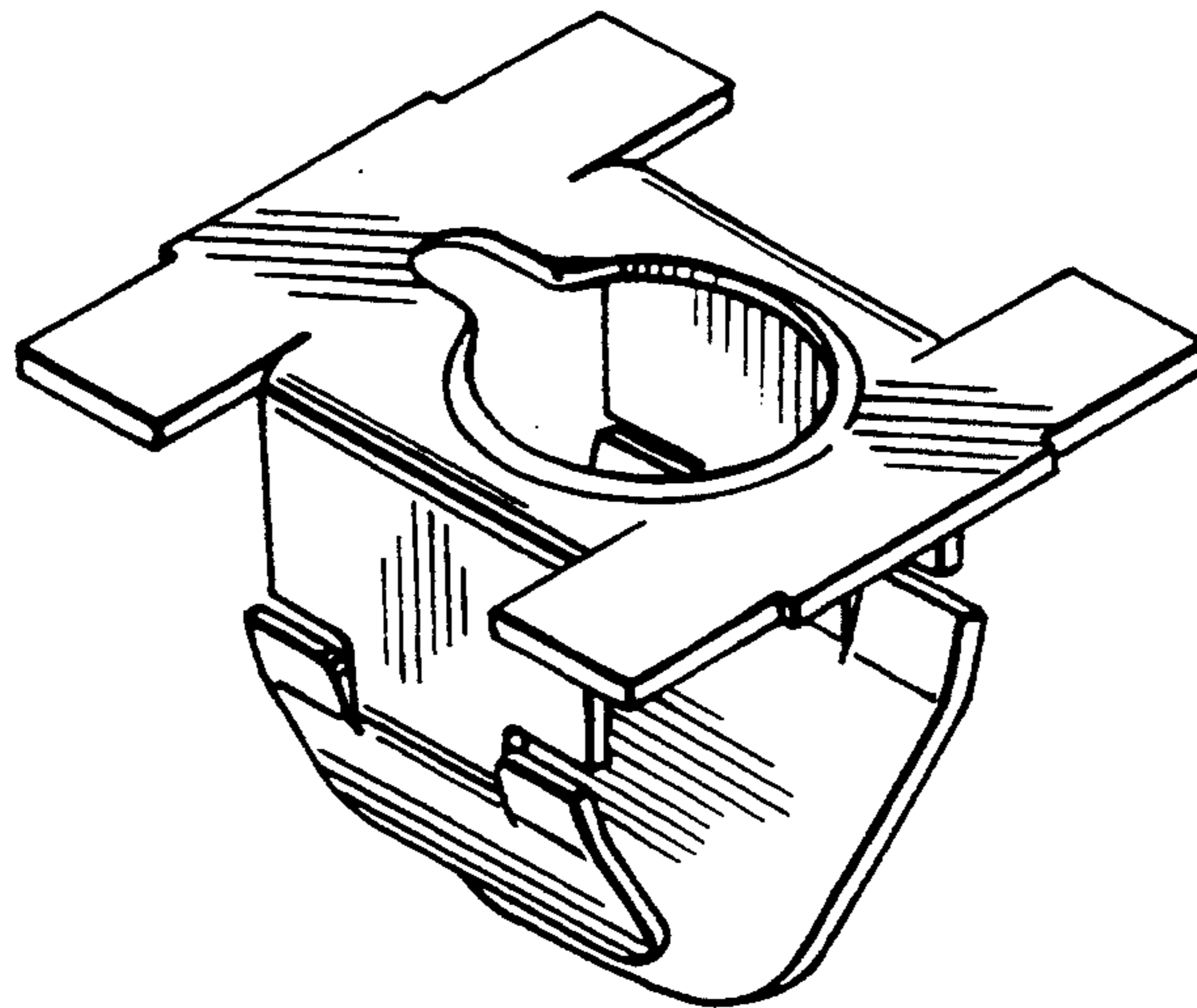


FIG. 1

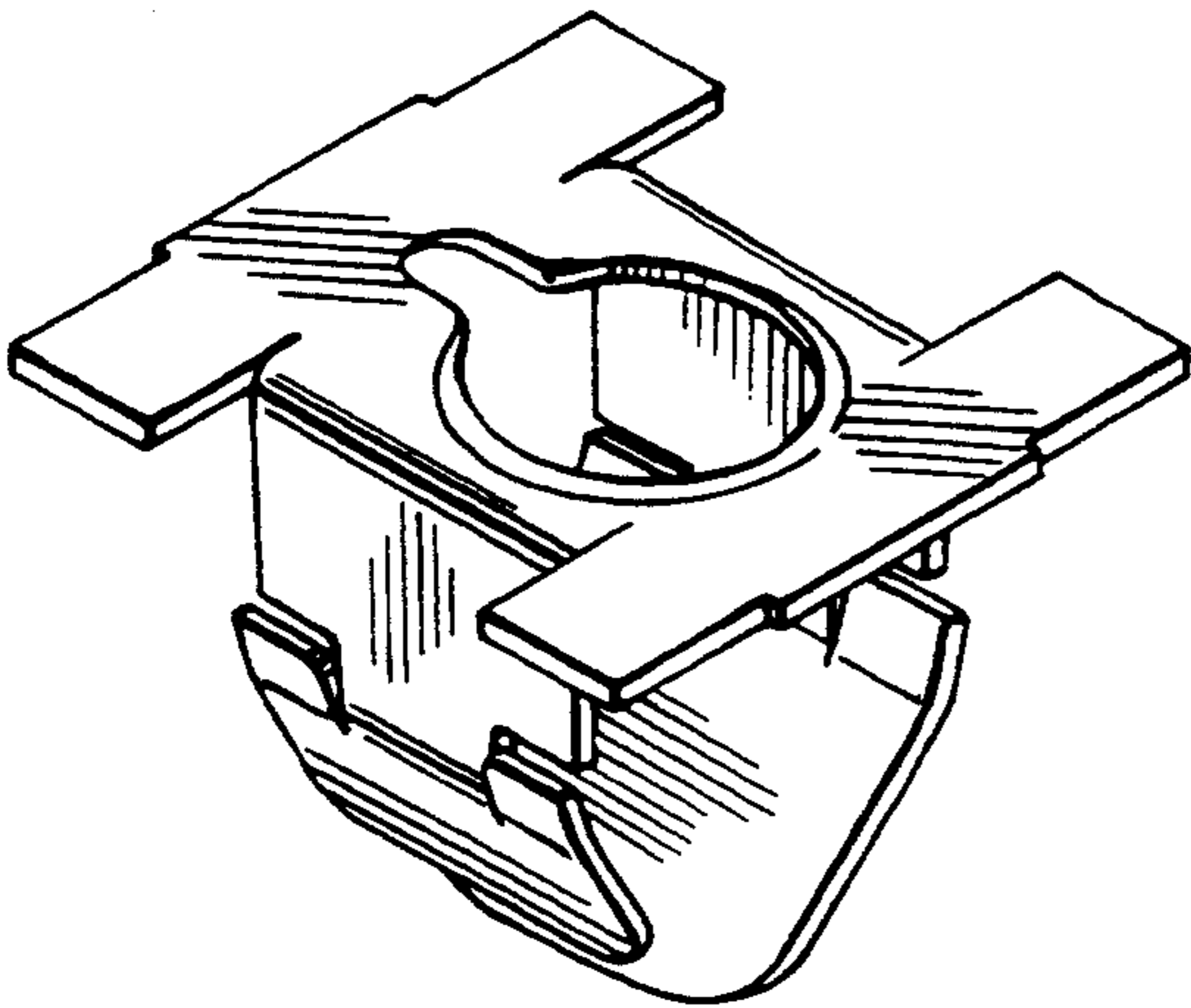


FIG. 2

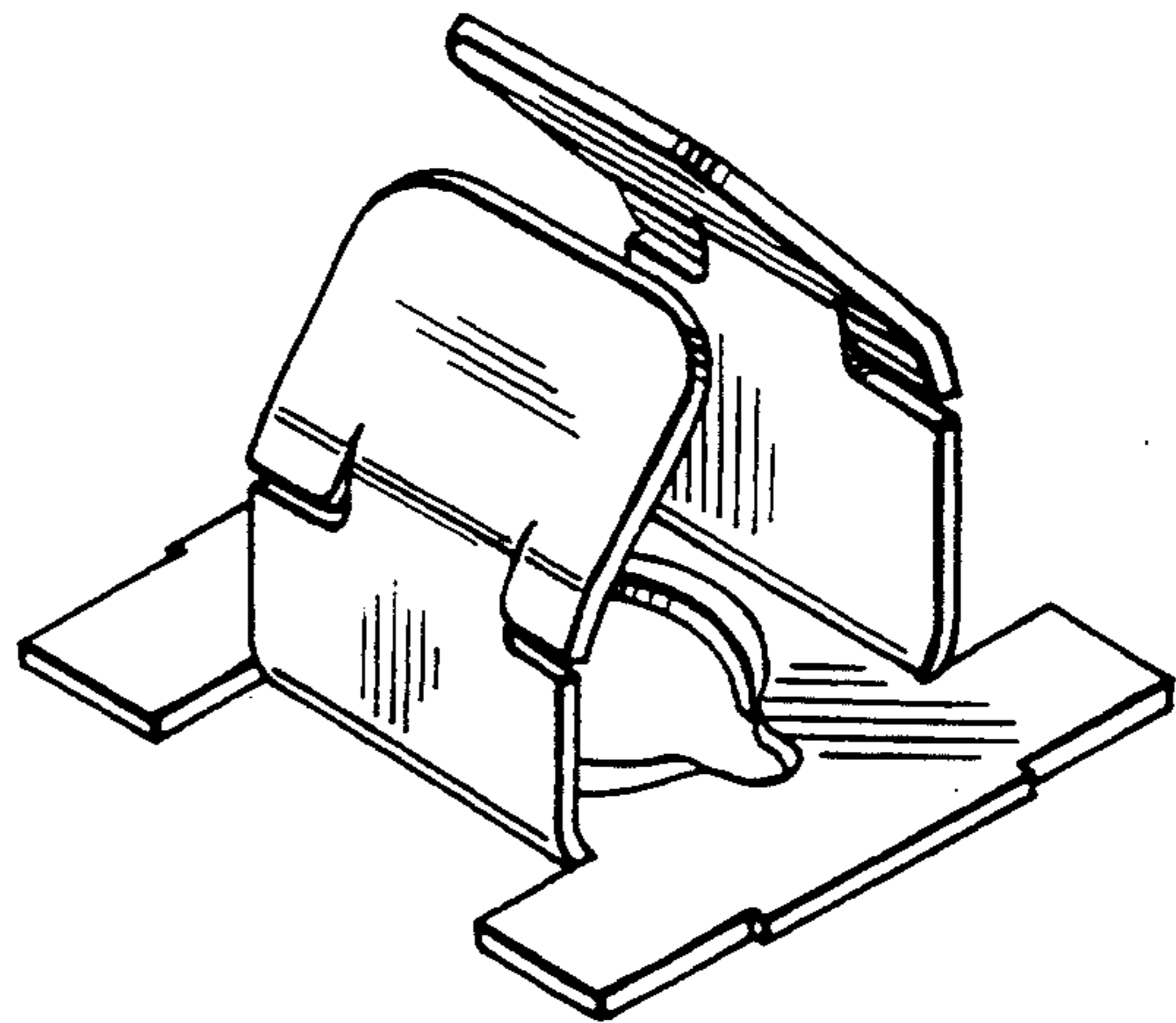


FIG. 3

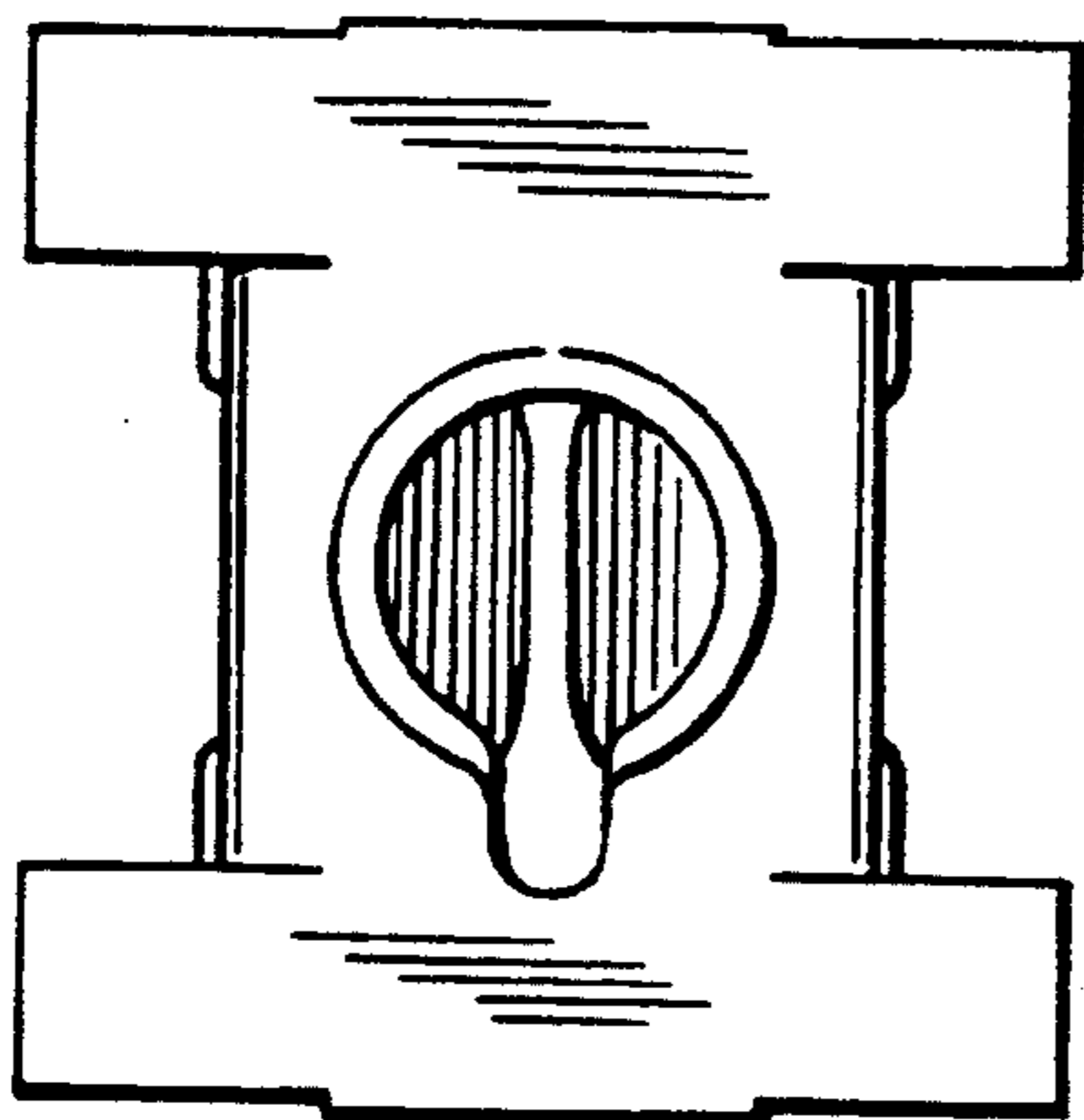


FIG. 4

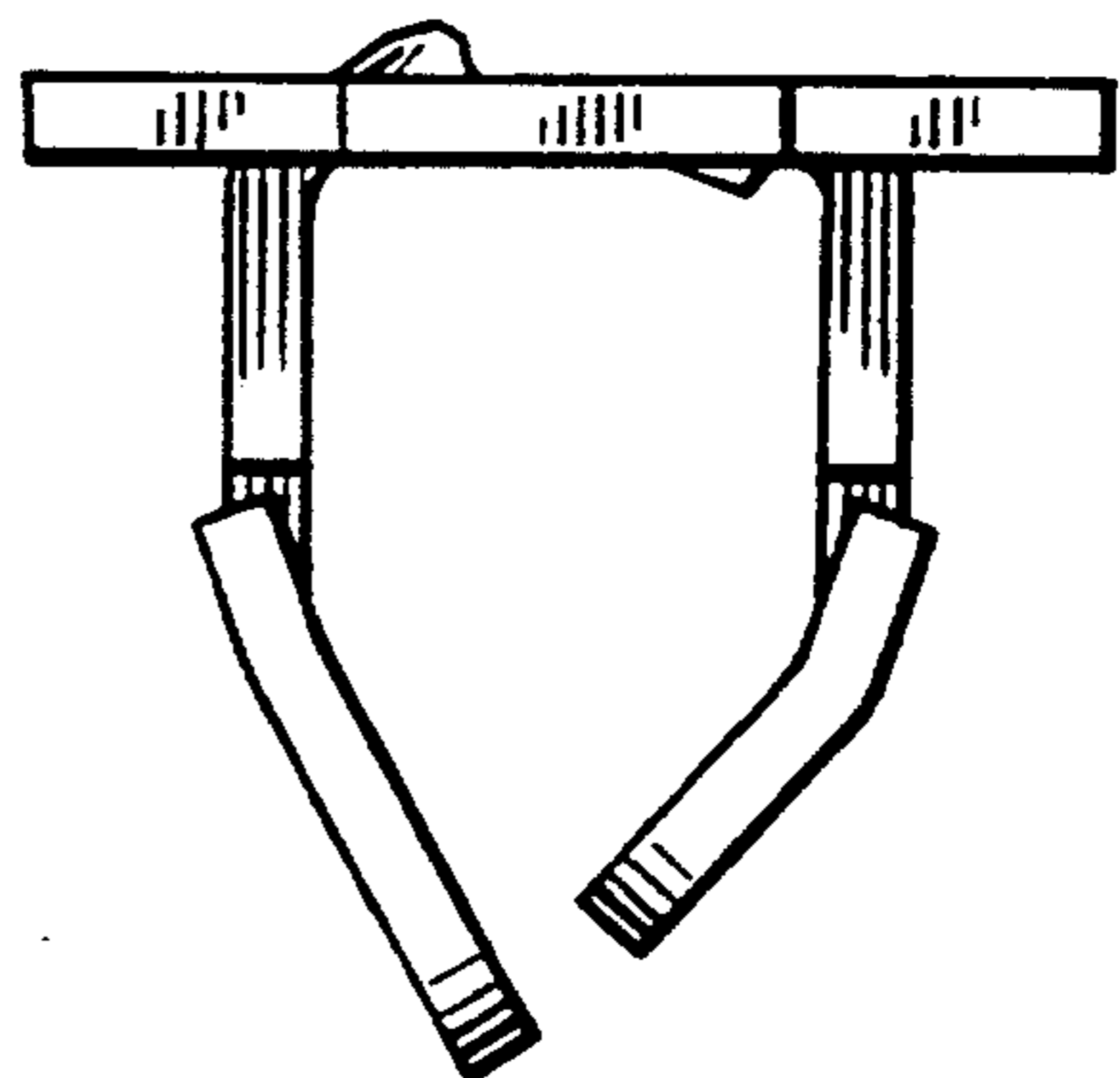


FIG. 5

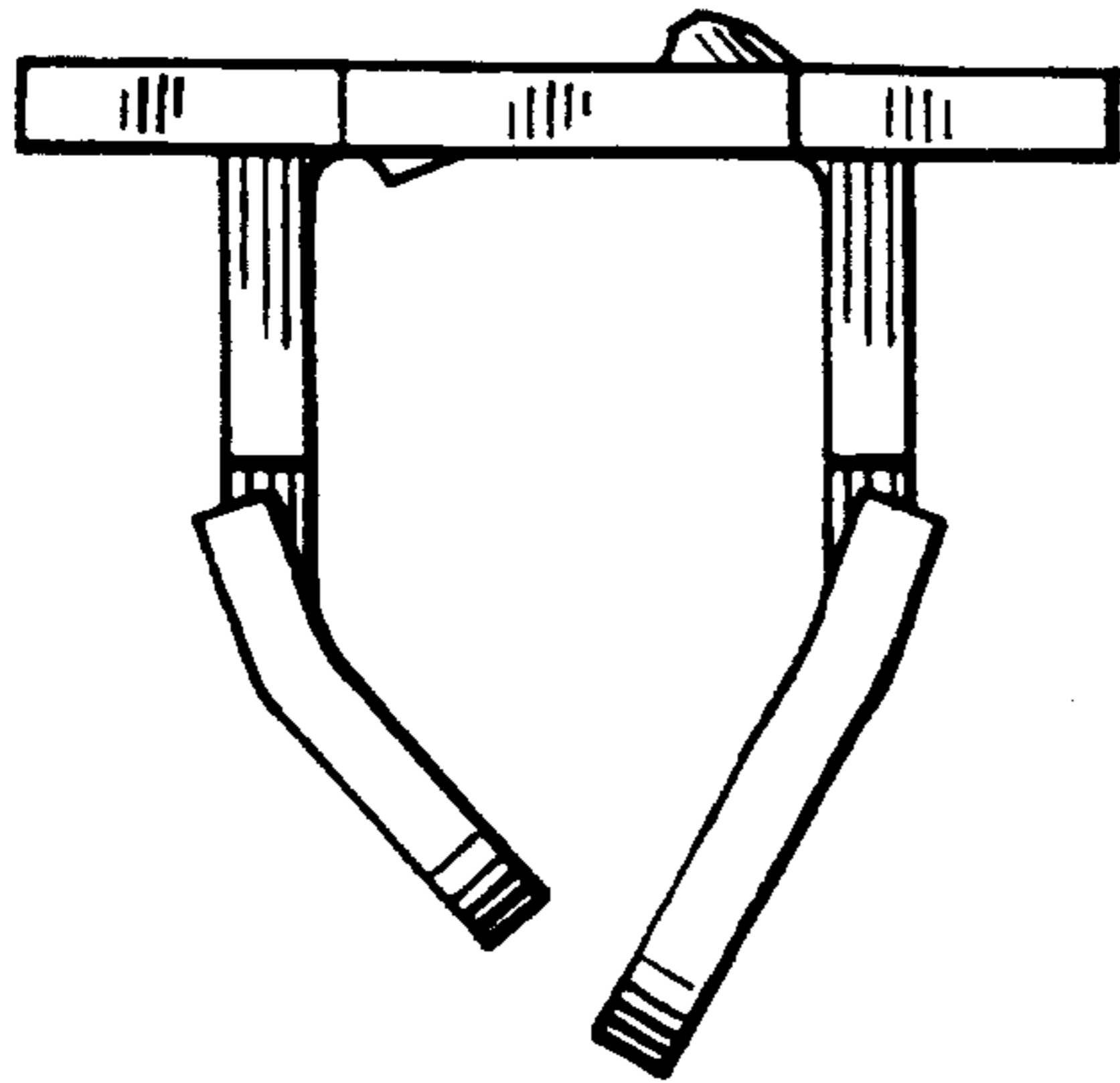


FIG. 6

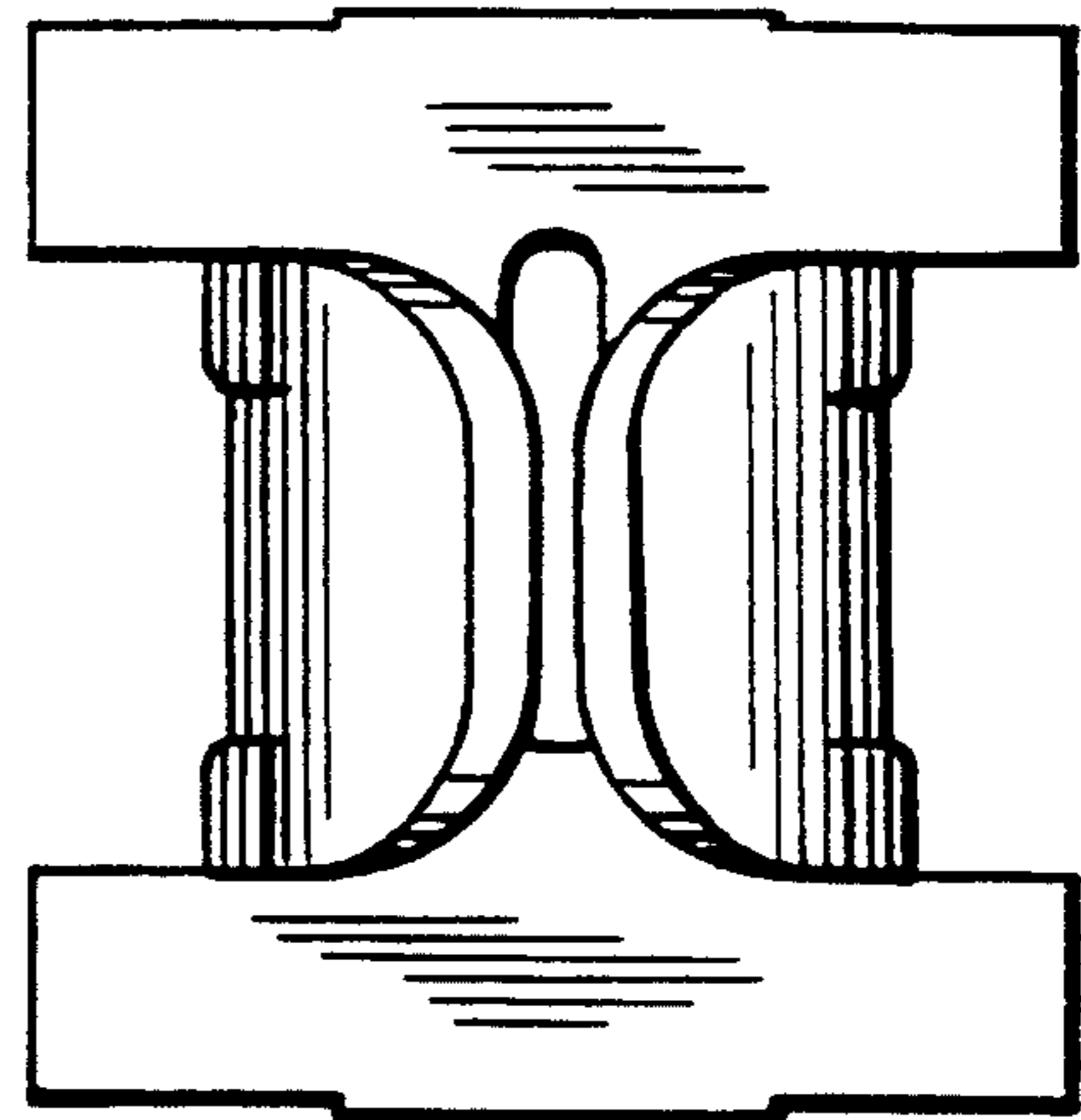


FIG. 7

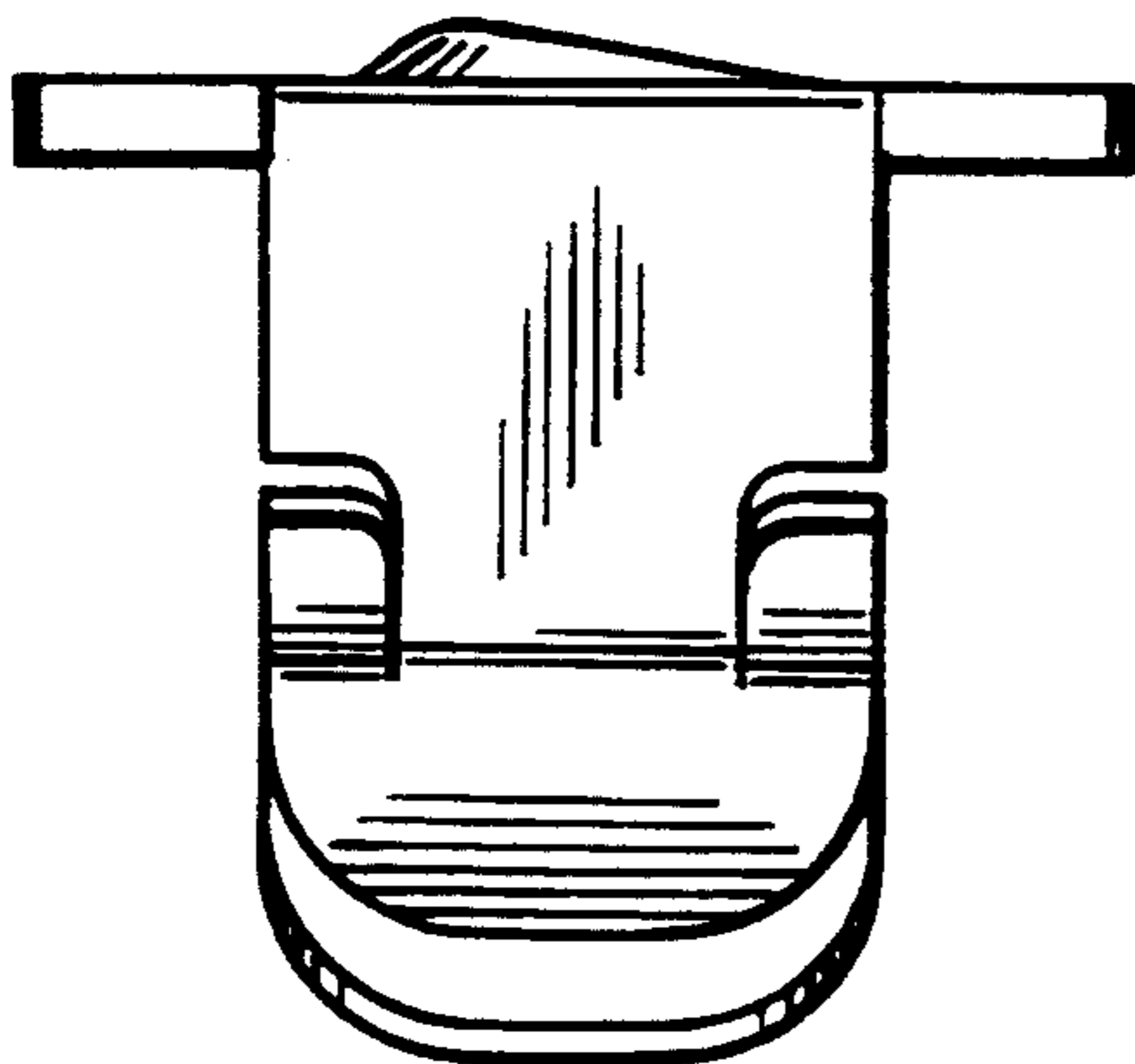


FIG. 8

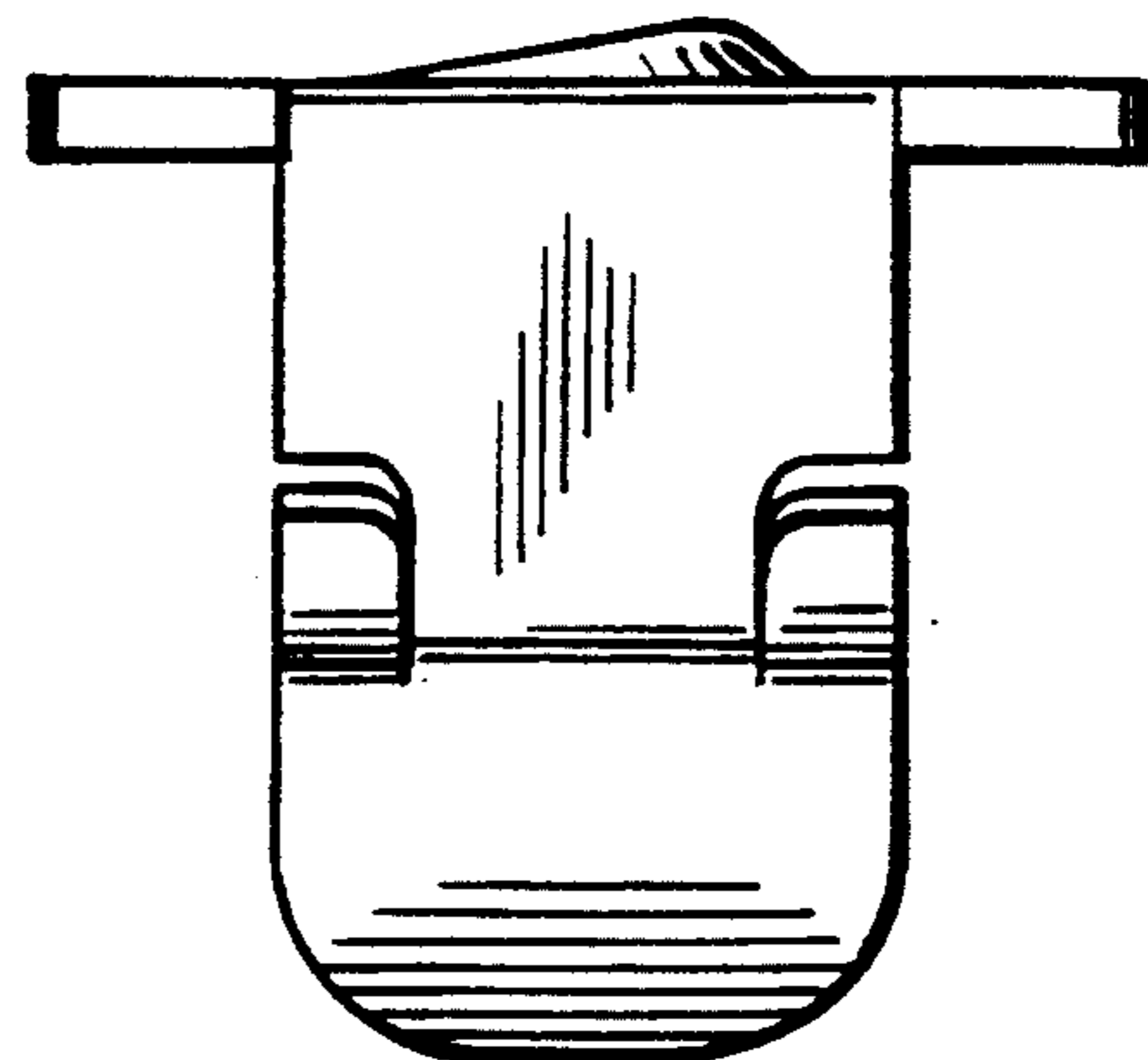


FIG. 9

