



US00D350473S

United States Patent [19]

[11] Patent Number: **Des. 350,473**

Simon et al.

[45] Date of Patent: **** Sep. 13, 1994**

[54] **SHROUD FOR A FLOOR-ENGAGING BOLT MOUNTED AT THE BOTTOM OF A PANIC-BAR LATCH EQUIPPED DOOR**

3,819,213 6/1974 Vanderburch 70/92
4,736,974 4/1988 Rosenthal 292/DIG. 15

[75] Inventors: **Martin S. Simon; Ira J. Simon**, both of Long Beach, Calif.

OTHER PUBLICATIONS

“Handy Kap”™, *The Panic Bolt Guard*, 4-page brochure.

[73] Assignee: **Triangle Brass Manufacturing Company**, Los Angeles, Calif.

Primary Examiner—Brian N. Vinson
Attorney, Agent, or Firm—D’Alessandro, Frazzini & Ritchie

[**] Term: **14 Years**

[57] CLAIM

[21] Appl. No.: **4,816**

The ornamental design for a shroud for a floor-engaging bolt mounted at the bottom of a panic-bar latch equipped door, as shown and described.

[22] Filed: **Feb. 16, 1993**

[52] U.S. Cl. **D8/346**

[58] Field of Search D8/343, 346, 330-331, D8/400, 402; 292/DIG. 2, DIG. 15; 70/91-92, 158, 465, DIG. 43

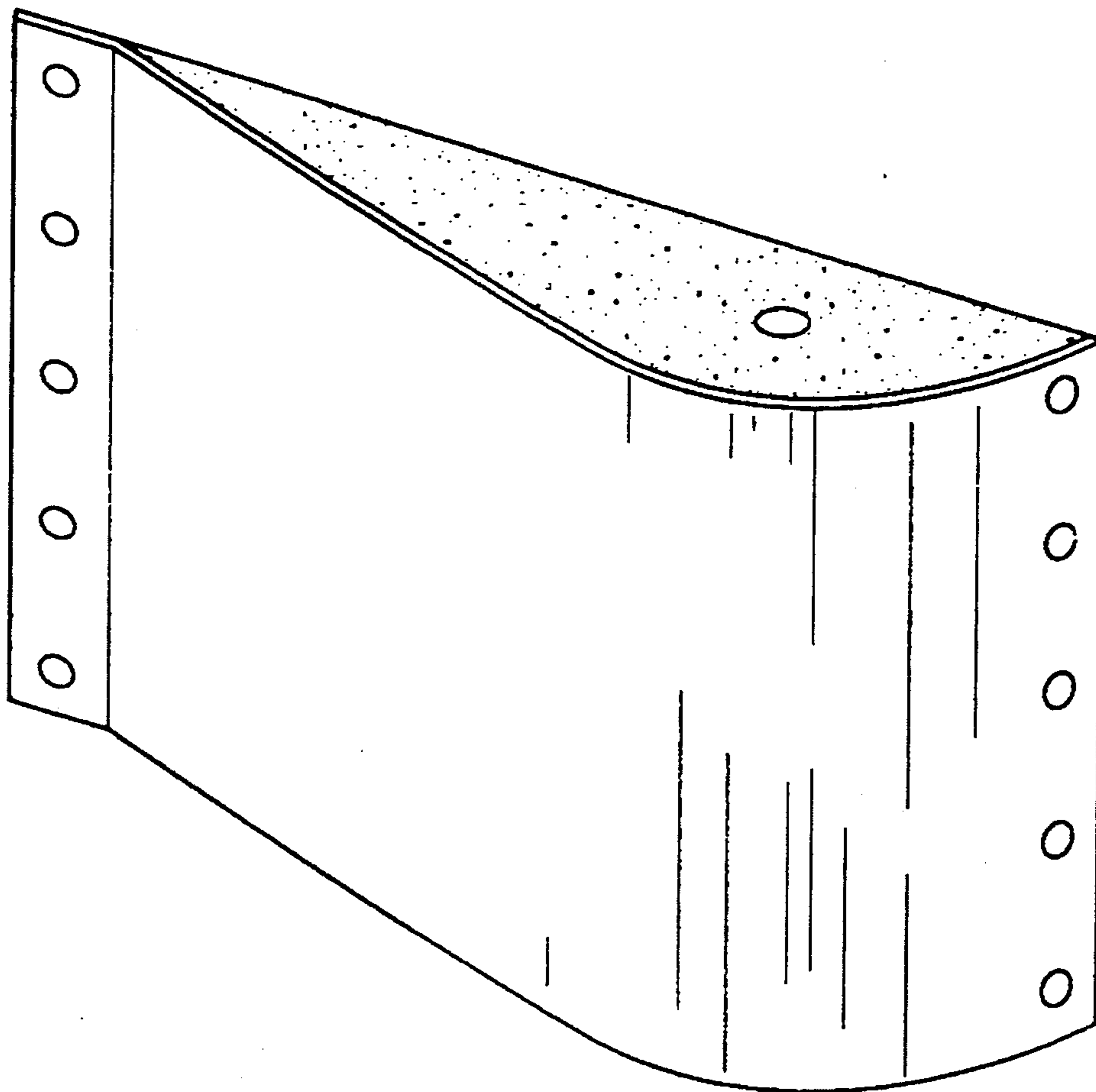
DESCRIPTION

FIG. 1 is a front perspective view of a shroud for a floor-engaging bolt mounted at the bottom of a panic-bar latch equipped door showing our new design; FIG. 2 is a top plan view thereof, the undisclosed bottom plan view being a mirror image thereof; FIG. 3 is a front elevation view thereof; FIG. 4 is a right side elevational view thereof; FIG. 5 is a rear elevational view thereof; and, FIG. 6 is a left side elevational view thereof.

[56] References Cited

U.S. PATENT DOCUMENTS

D. 322,745 12/1991 Olsen D8/346
2,752,773 7/1956 Abelson et al. 70/92
3,097,007 7/1963 Eichacker et al. 70/92 X
3,765,198 10/1973 Horgan, Jr. 70/92



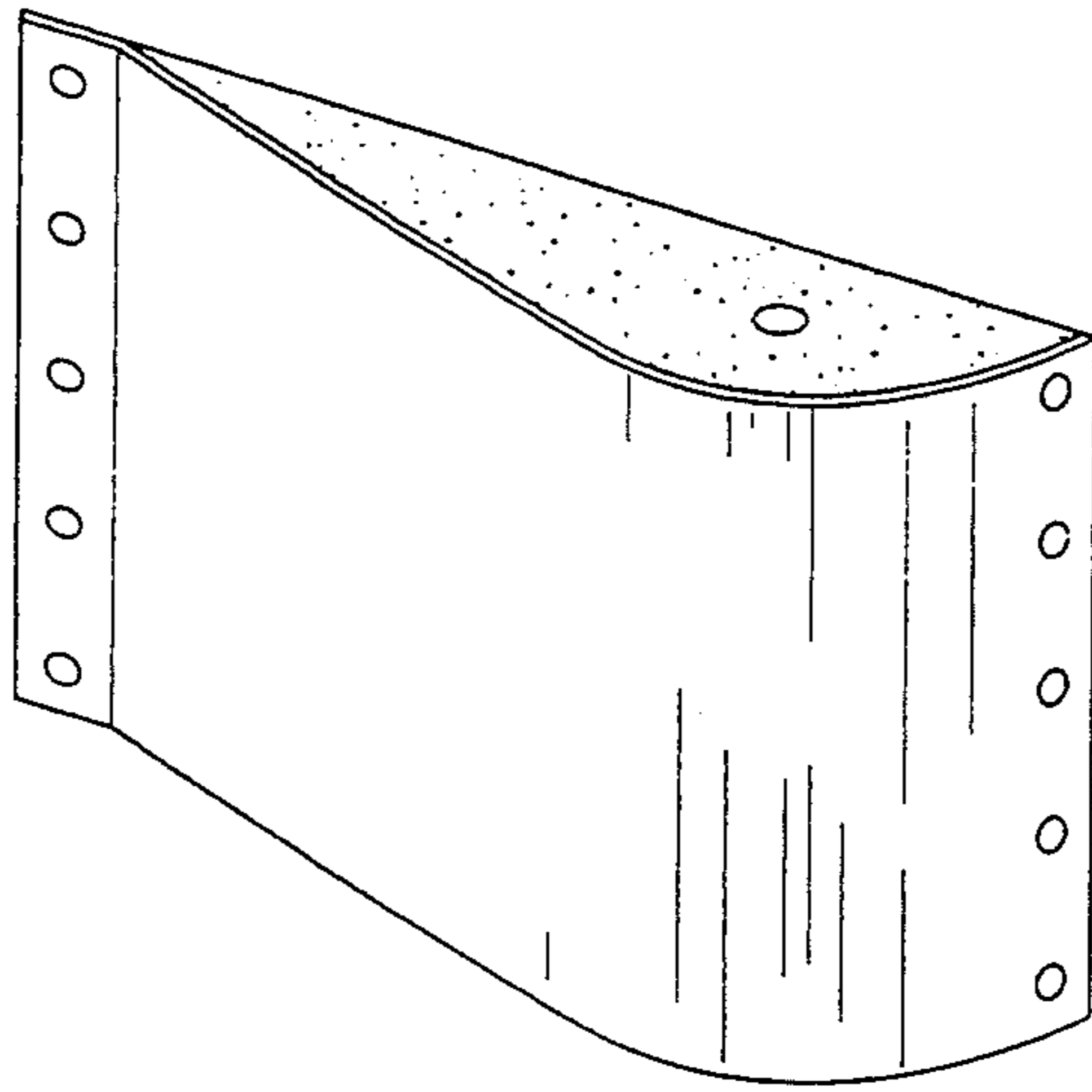


FIG. 1

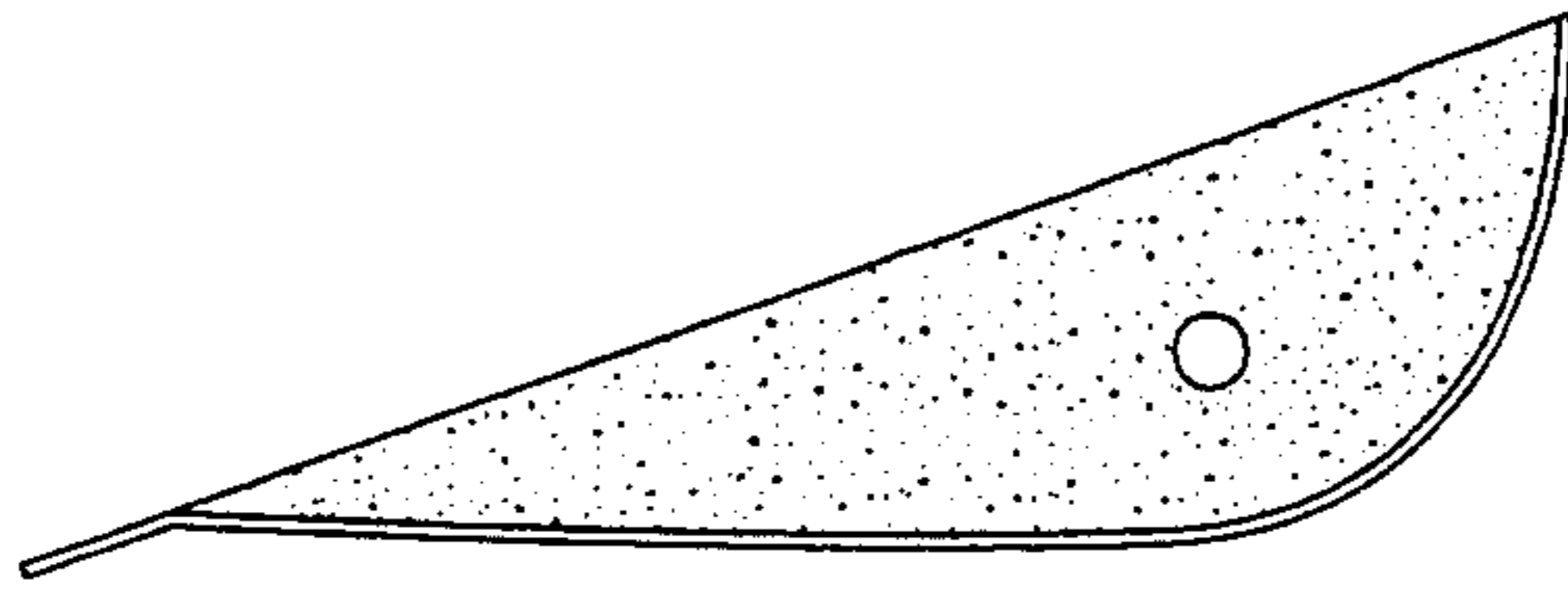


FIG. 2

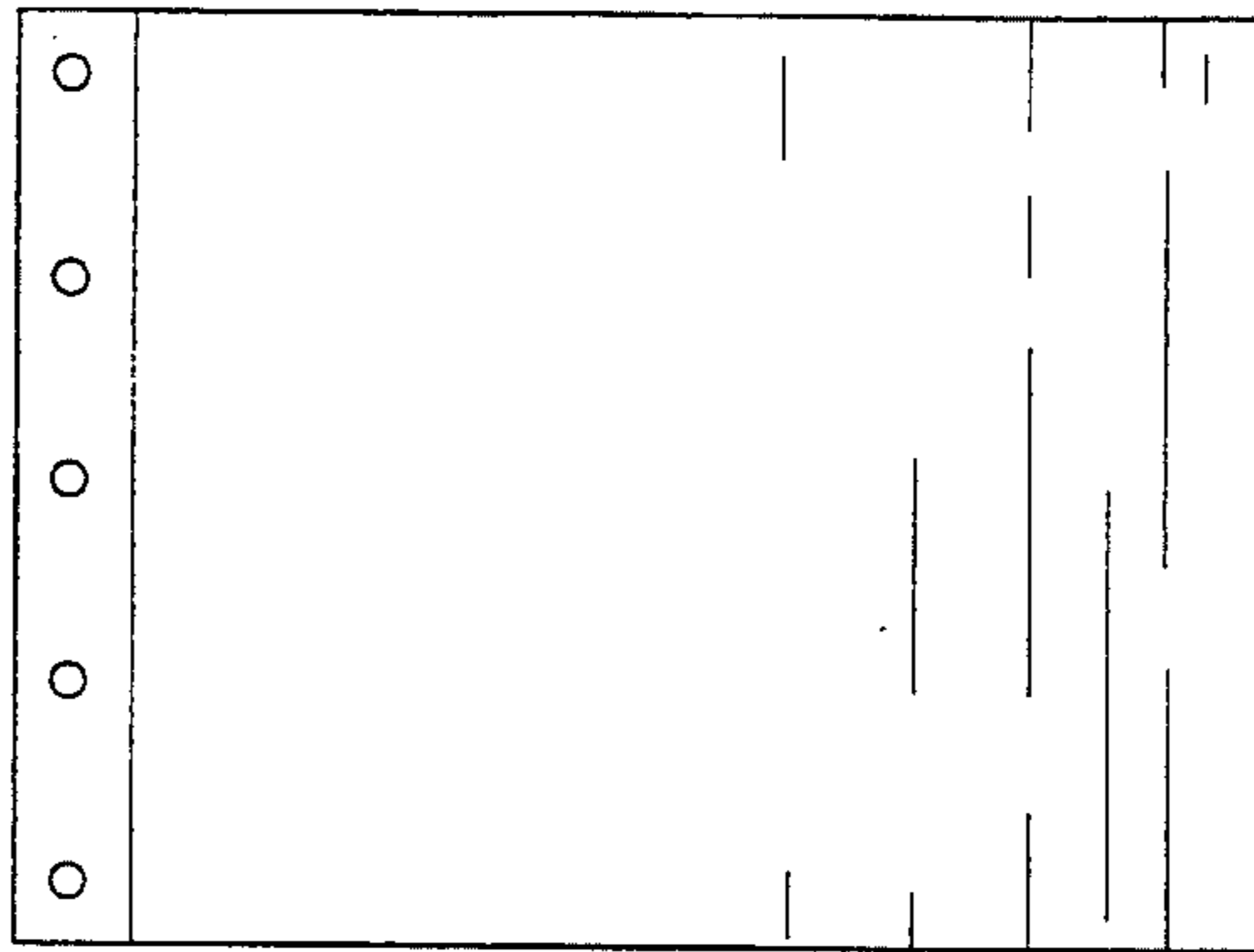


FIG. 3

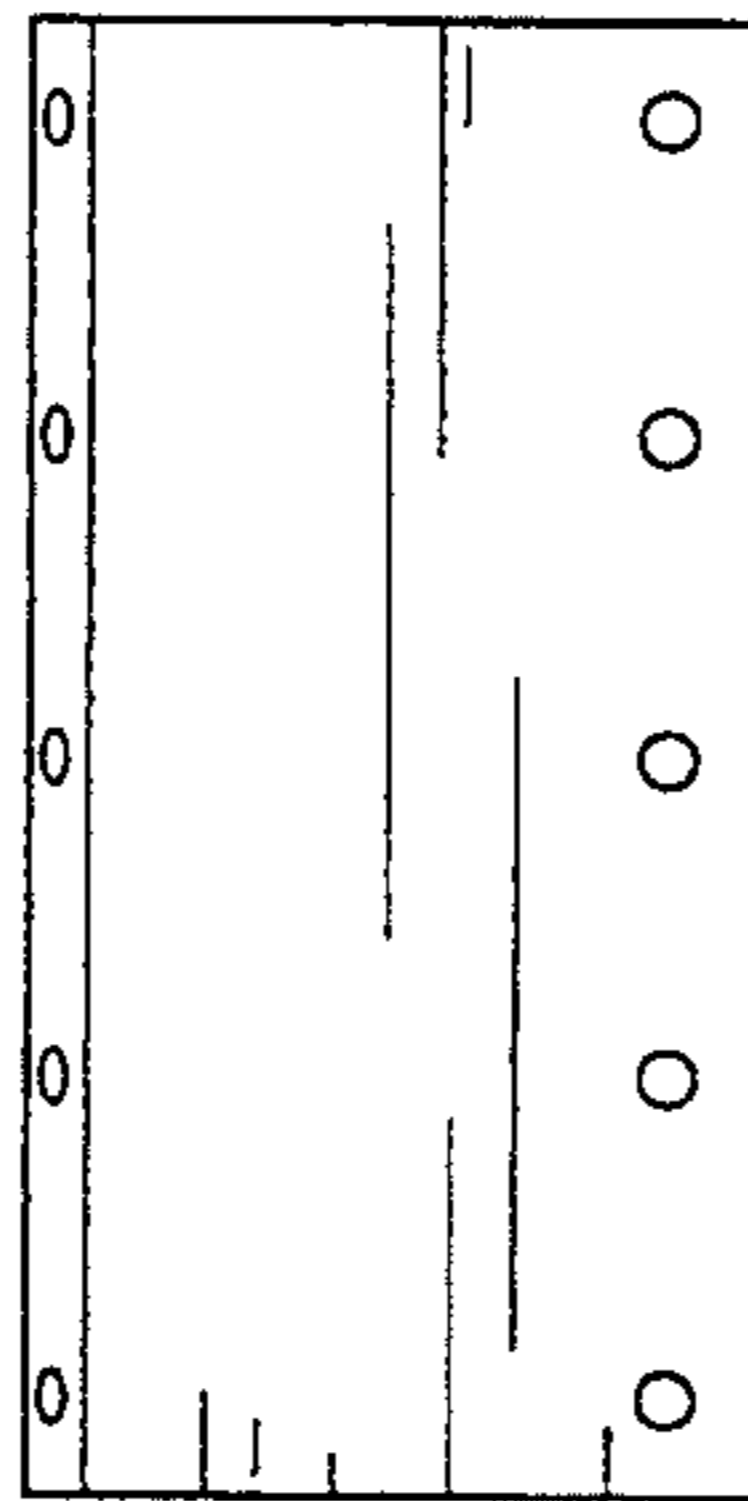


FIG. 4

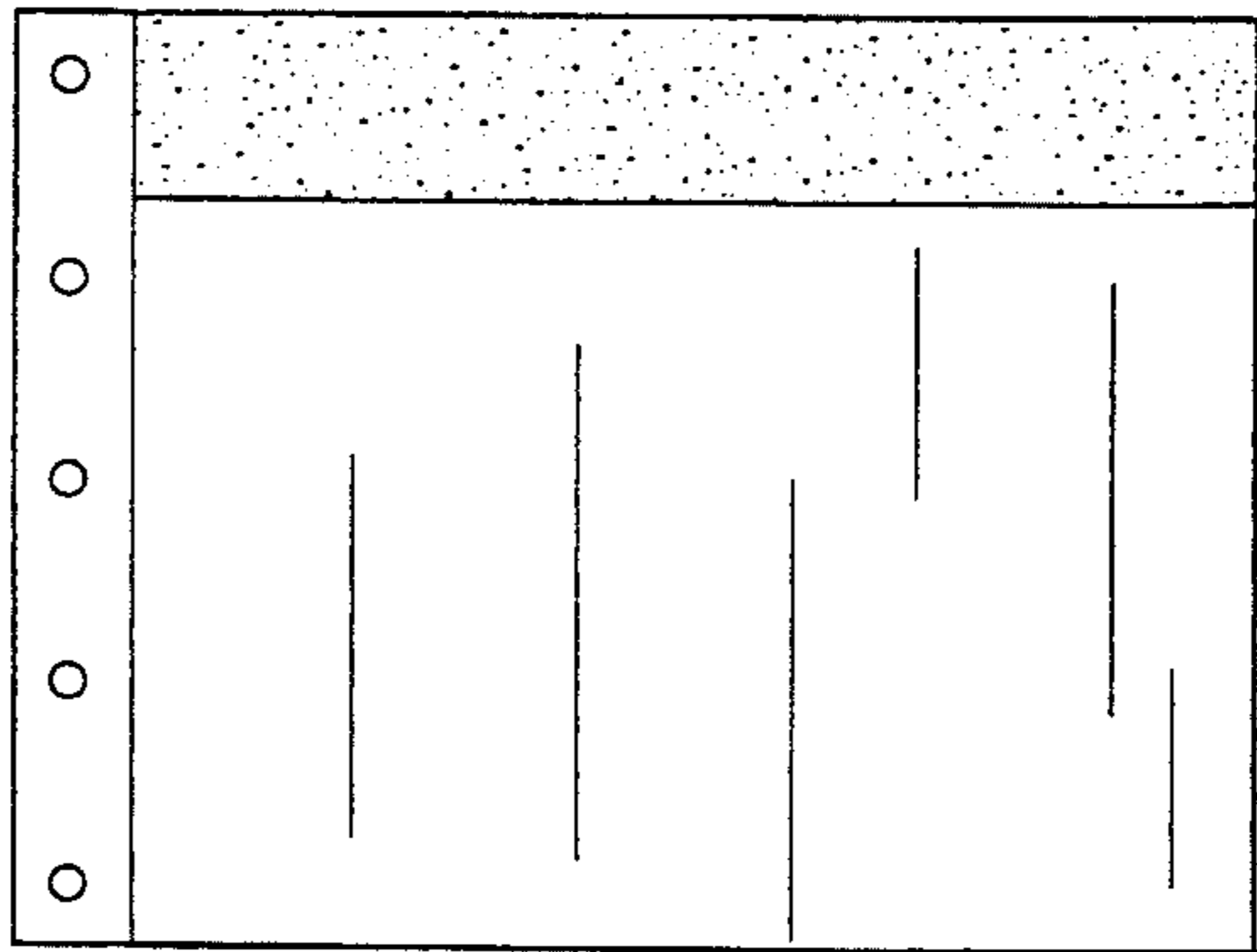


FIG. 5

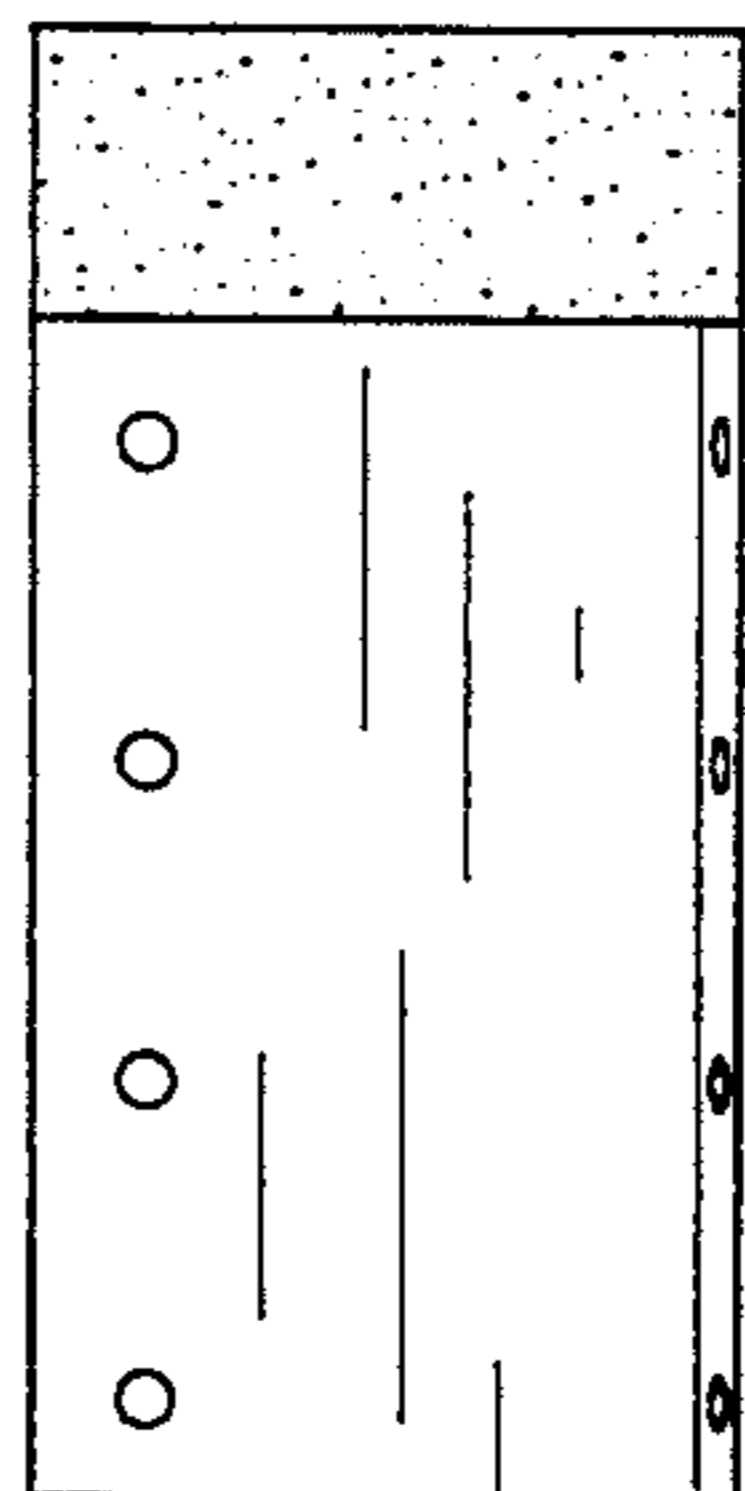


FIG. 6