



US00D350469S

United States Patent [19]

[11] Patent Number: **Des. 350,469**

Sawden

[45] Date of Patent: **** Sep. 13, 1994**

[54] **PLASTIC TOGGLE CLAMP**

[75] Inventor: **Edwin G. Sawdon, St. Clair, Mich.**

[73] Assignee: **BTM Corporation, Marysville, Mich.**

[**] Term: **14 Years**

[21] Appl. No.: **5,872**

[22] Filed: **Mar. 15, 1993**

[52] U.S. Cl. **D8/72**

[58] Field of Search **D8/72; 269/239, 60, 269/61, 65, 66, 76, 78, 112, 128, 182, 178, 173**

[56] **References Cited**

U.S. PATENT DOCUMENTS

| | | | | |
|------------|--------|-------------|-------|---------|
| D. 240,704 | 7/1976 | Busse | | D8/72 |
| 4,245,827 | 1/1981 | Goff et al. | | 269/239 |
| 4,258,908 | 3/1981 | Goff et al. | | 269/239 |
| 4,470,586 | 9/1984 | Spencer | | 269/93 |

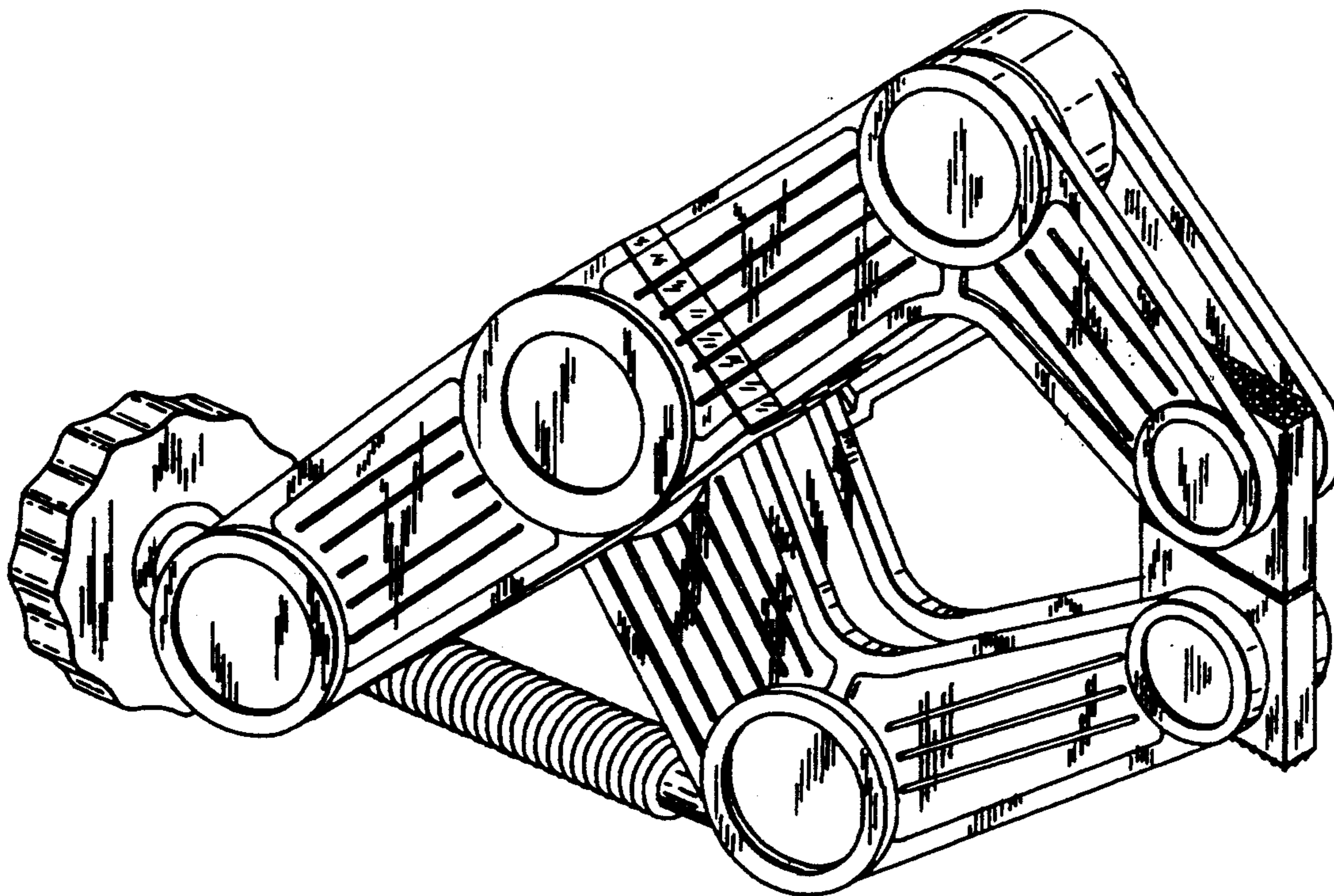
Primary Examiner—Alan P. Douglas
Assistant Examiner—Jeffry H. Musgrove
Attorney, Agent, or Firm—Harness, Dickey & Pierce

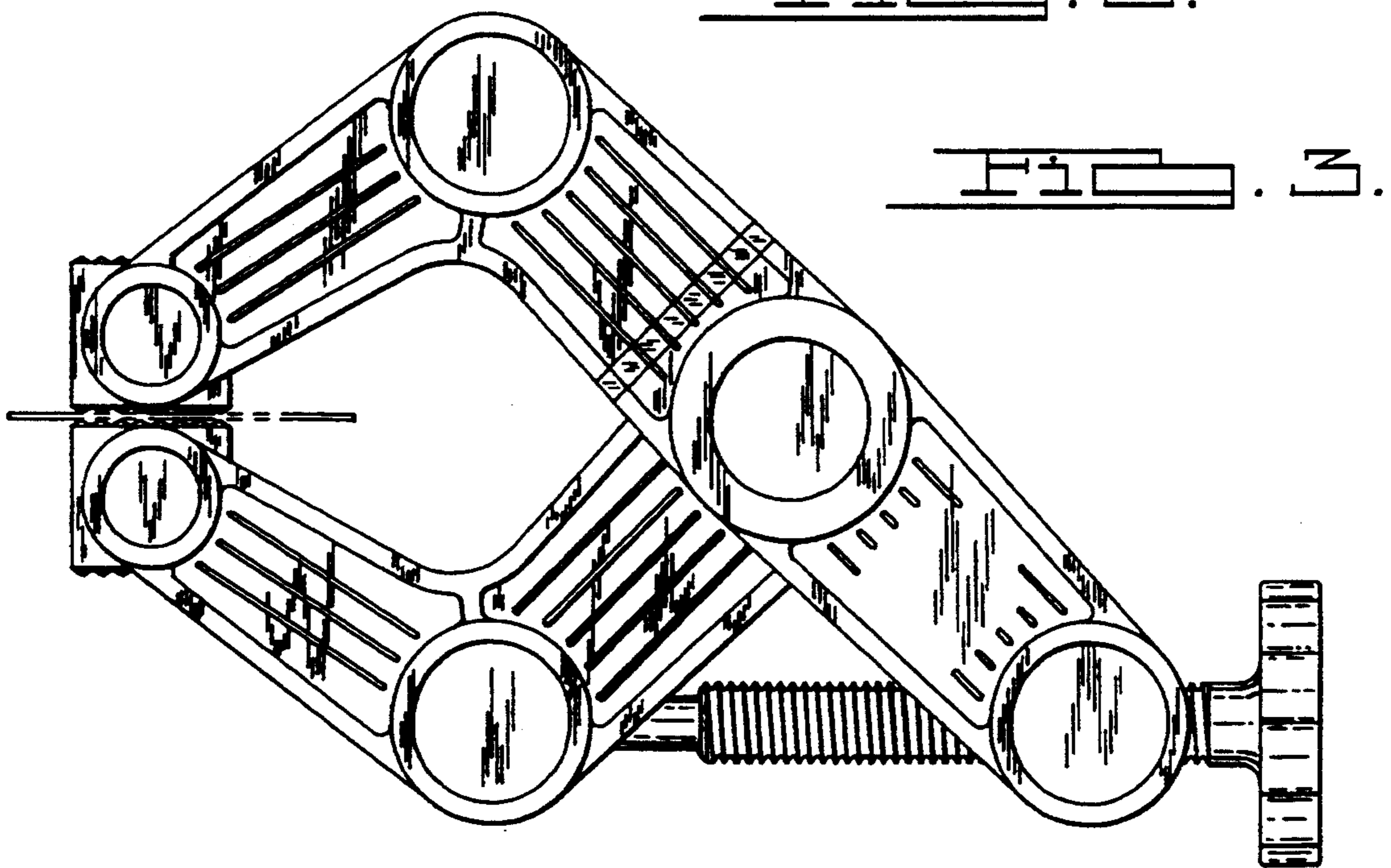
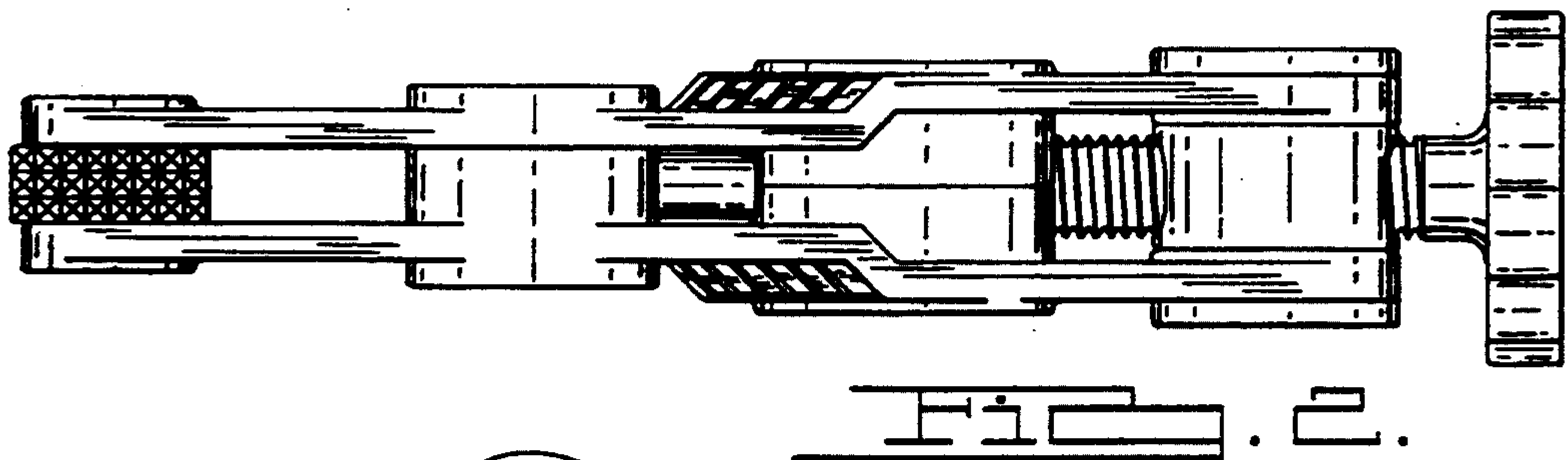
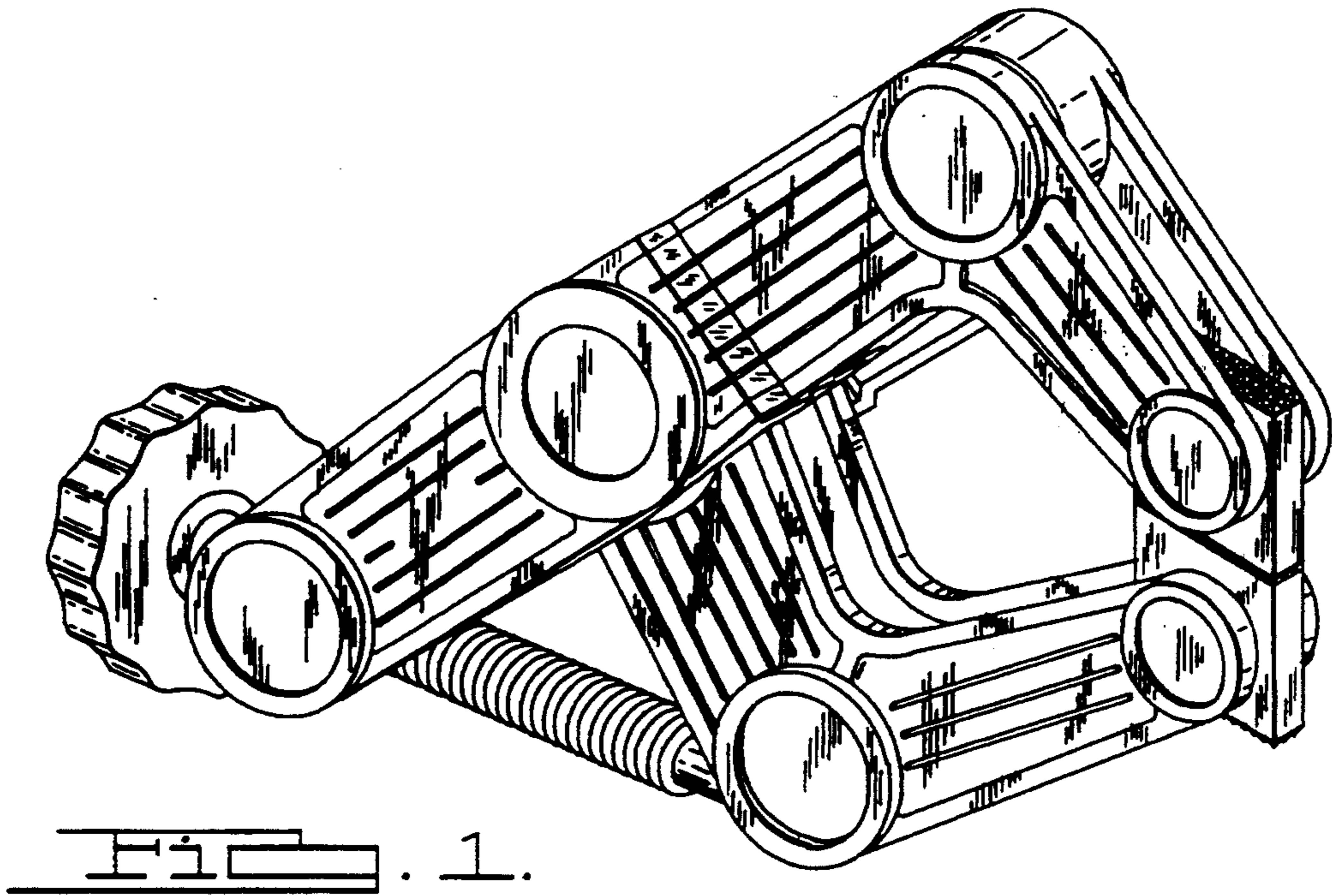
[57] **CLAIM**

The ornamental design for a plastic toggle clamp, as shown and described.

DESCRIPTION

FIG. 1 is a perspective view of a plastic toggle clamp showing my new design in its closed position; FIG. 2 is a top plan view thereof; FIG. 3 is a side elevational view thereof, the broken line showing the sheet in FIG. 3 is for illustrative purposes only and forms no part of the claimed design; FIG. 4 is a bottom plan view thereof; FIG. 5 is a left end elevational view thereof; FIG. 6 is a right end elevational view thereof; and, FIG. 7 is a side elevational view thereof in an open position.





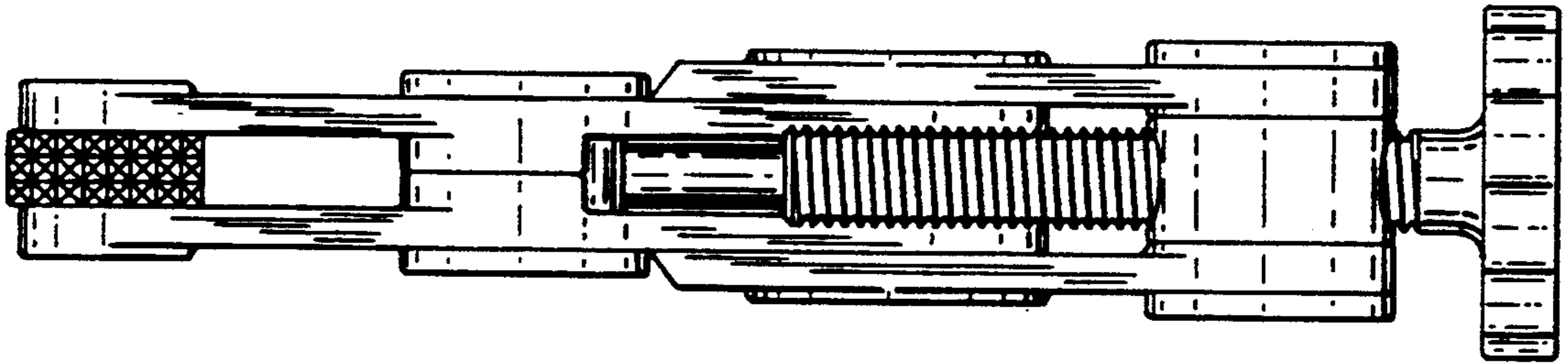


FIG. 4.

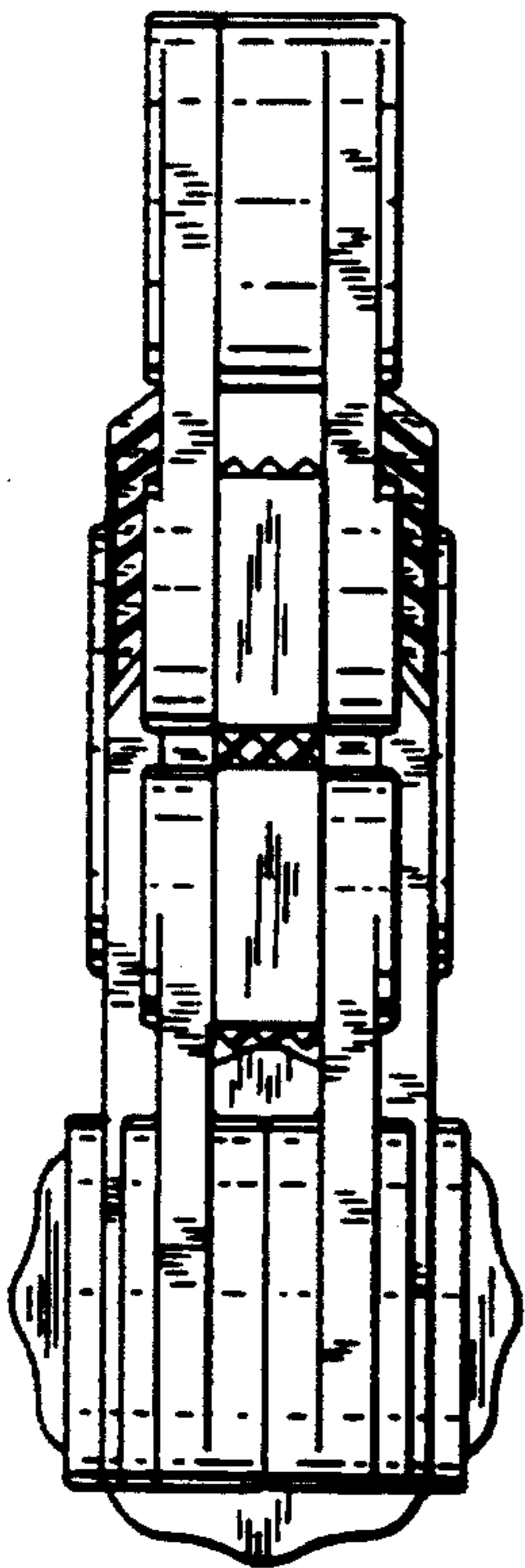


FIG. 5.

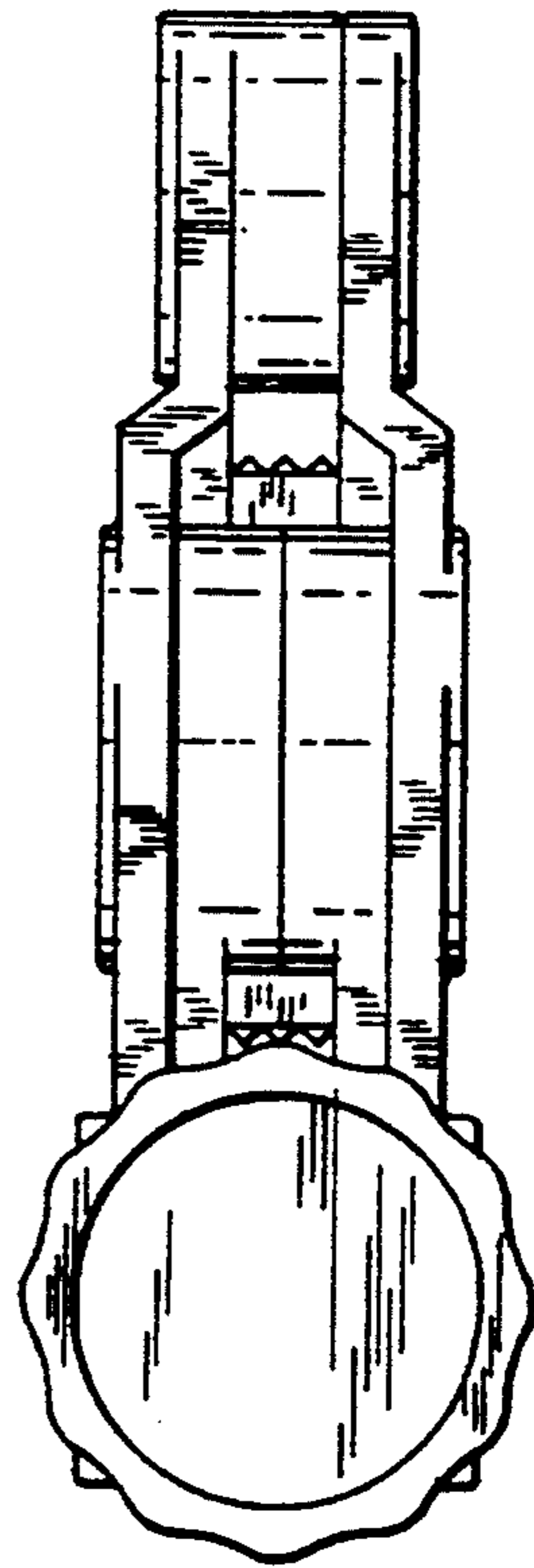


FIG. 6.

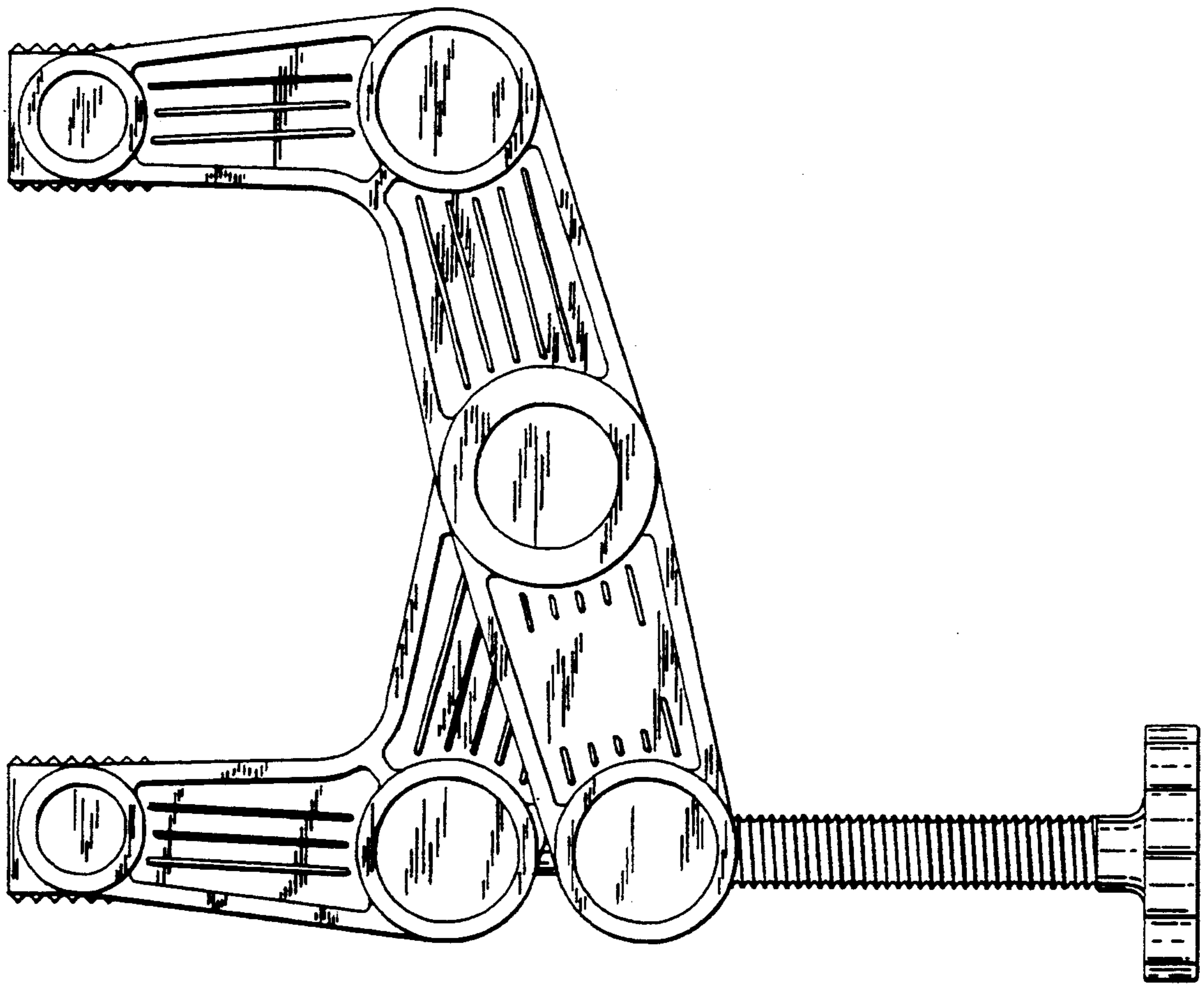


FIG. 2.