



US00D350468S

United States Patent [19]

[11] Patent Number: **Des. 350,468**

Chunn et al.

[45] Date of Patent: **** Sep. 13, 1994**

[54] **PLATE JOINER**

4,858,662	8/1989	Bosten et al.	144/136
4,858,663	8/1989	Bosten et al.	144/136
4,881,857	11/1989	Tanaka et al.	144/134 D
4,934,422	6/1990	Hempy et al.	144/136 C

[75] Inventors: **Daniel A. Chunn**, Greenville; **James A. Keith, Jr.**, Pickens, both of S.C.

[73] Assignee: **Ryobi Motor Products Corp.**, Easley, S.C.

Primary Examiner—Alan P. Douglas
Assistant Examiner—Jeff Musgrove
Attorney, Agent, or Firm—Brooks & Kushman

[**] Term: **14 Years**

[57] **CLAIM**

[21] Appl. No.: **6,401**

The ornamental design for a plate joiner, as shown and described.

[22] Filed: **Mar. 26, 1993**

DESCRIPTION

[52] U.S. Cl. **D8/69; D8/64**

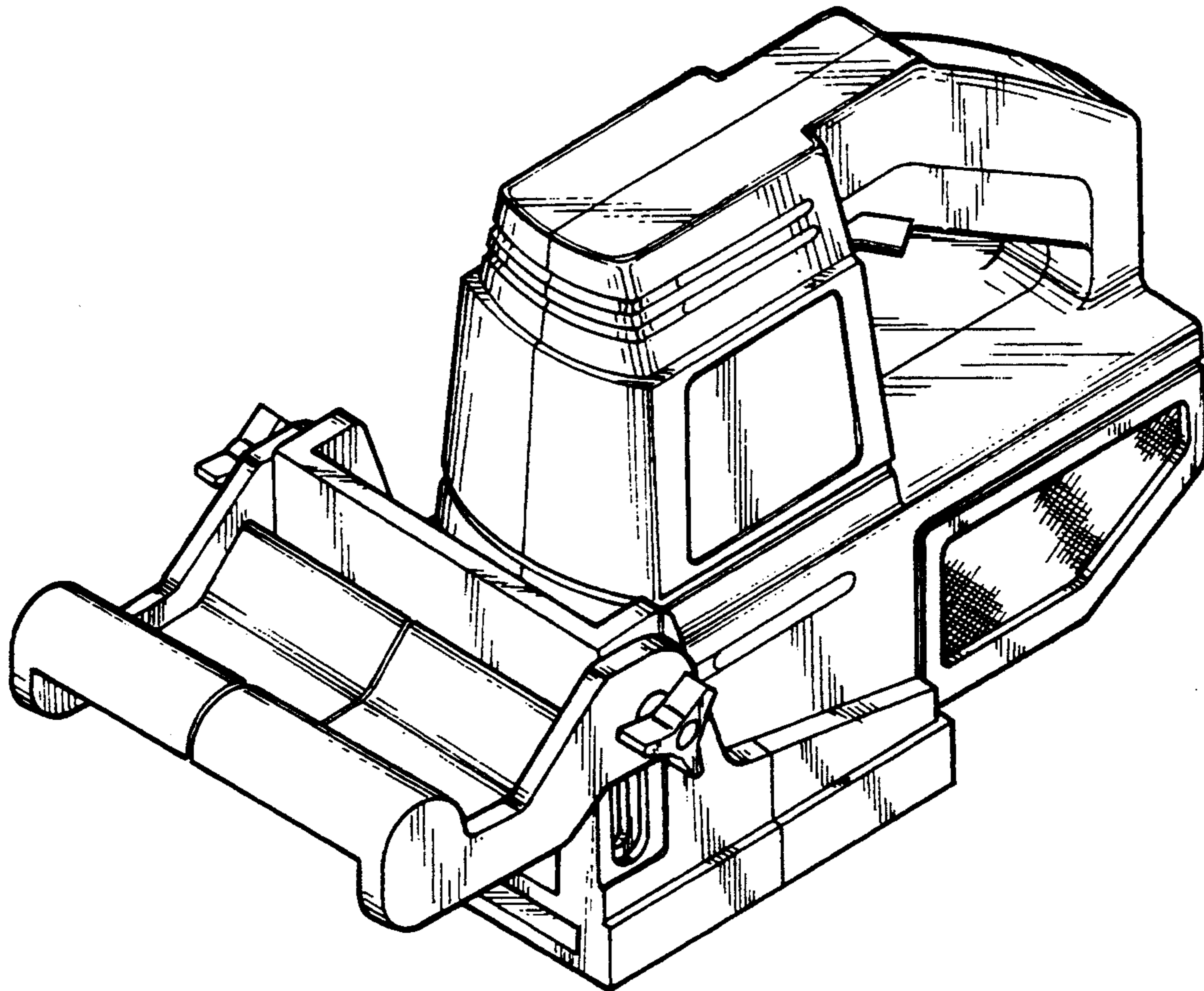
[58] Field of Search **D8/61, 64; 144/136 C, 144/134 D; 409/182**

FIG. 1 is a perspective view of the plate joiner;
FIG. 2 is a top plan view;
FIG. 3 is a front plan view;
FIG. 4 is a left side view, the right side view being a mirror image thereof;
FIG. 5 is a rear view; and,
FIG. 6 is a bottom plan view.

[56] **References Cited**

U.S. PATENT DOCUMENTS

D. 315,281	3/1991	Bosten et al.	D8/64
4,858,661	8/1989	Bosten et al.	144/134



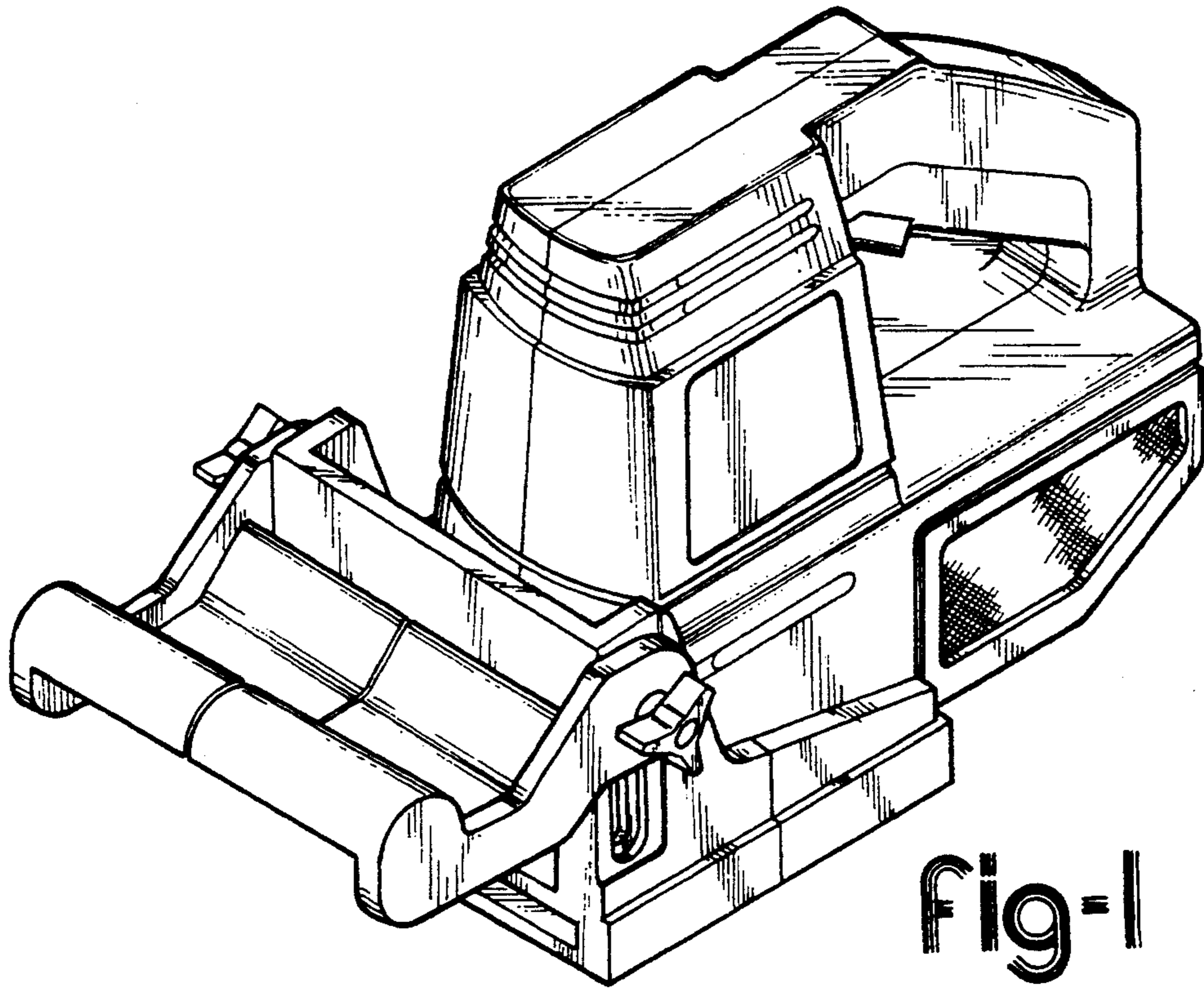


Fig-1

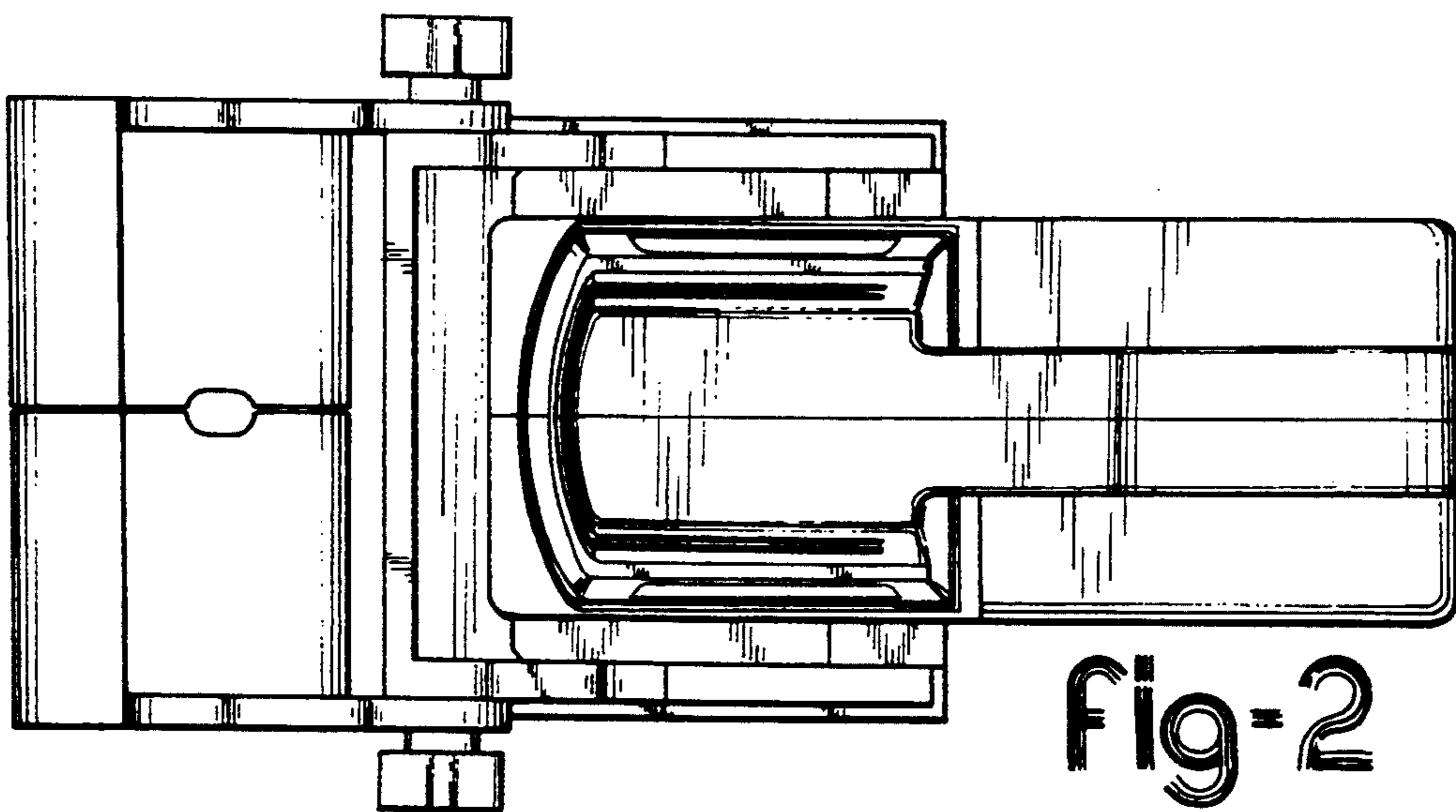


Fig-2

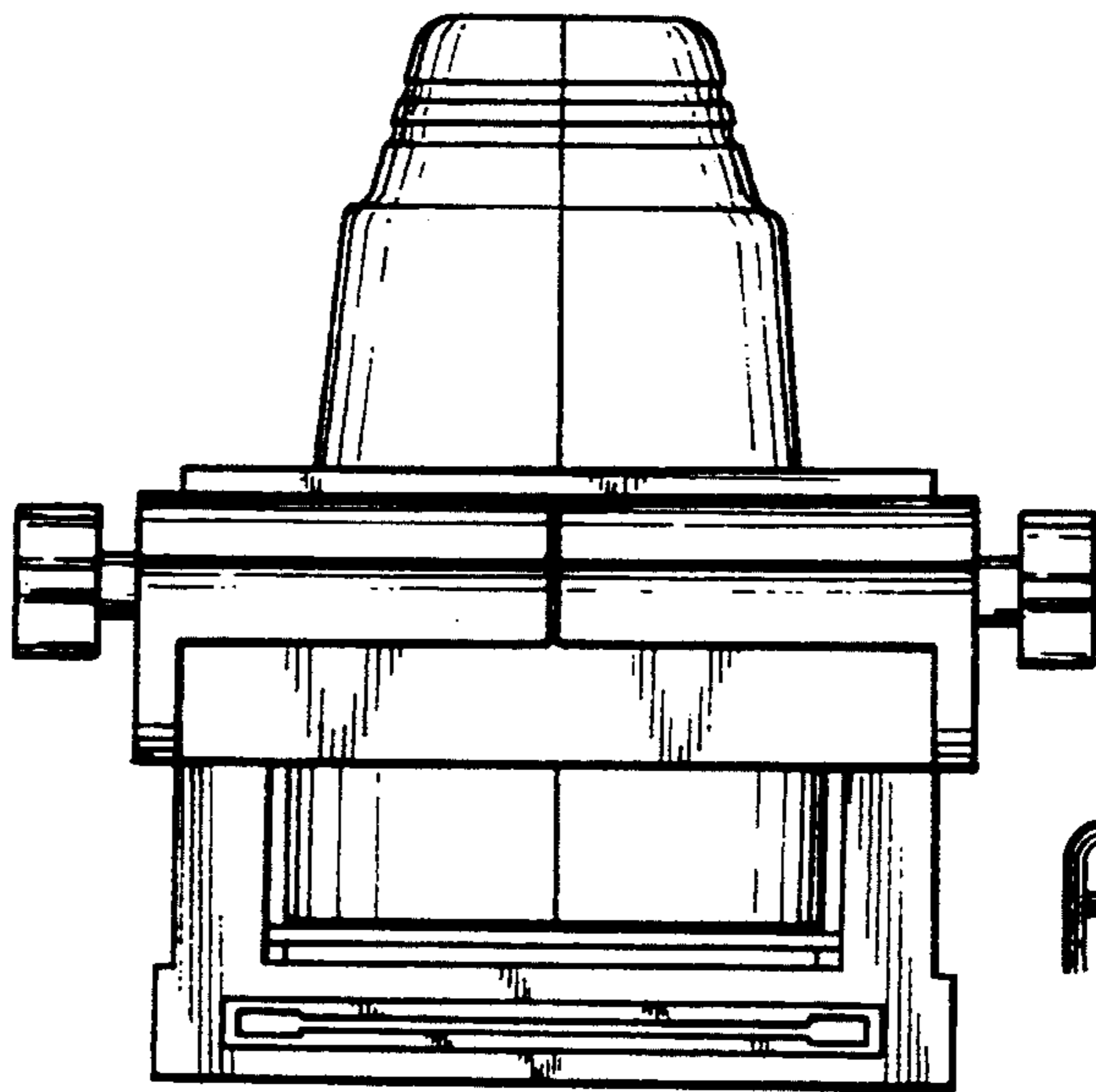


Fig-3

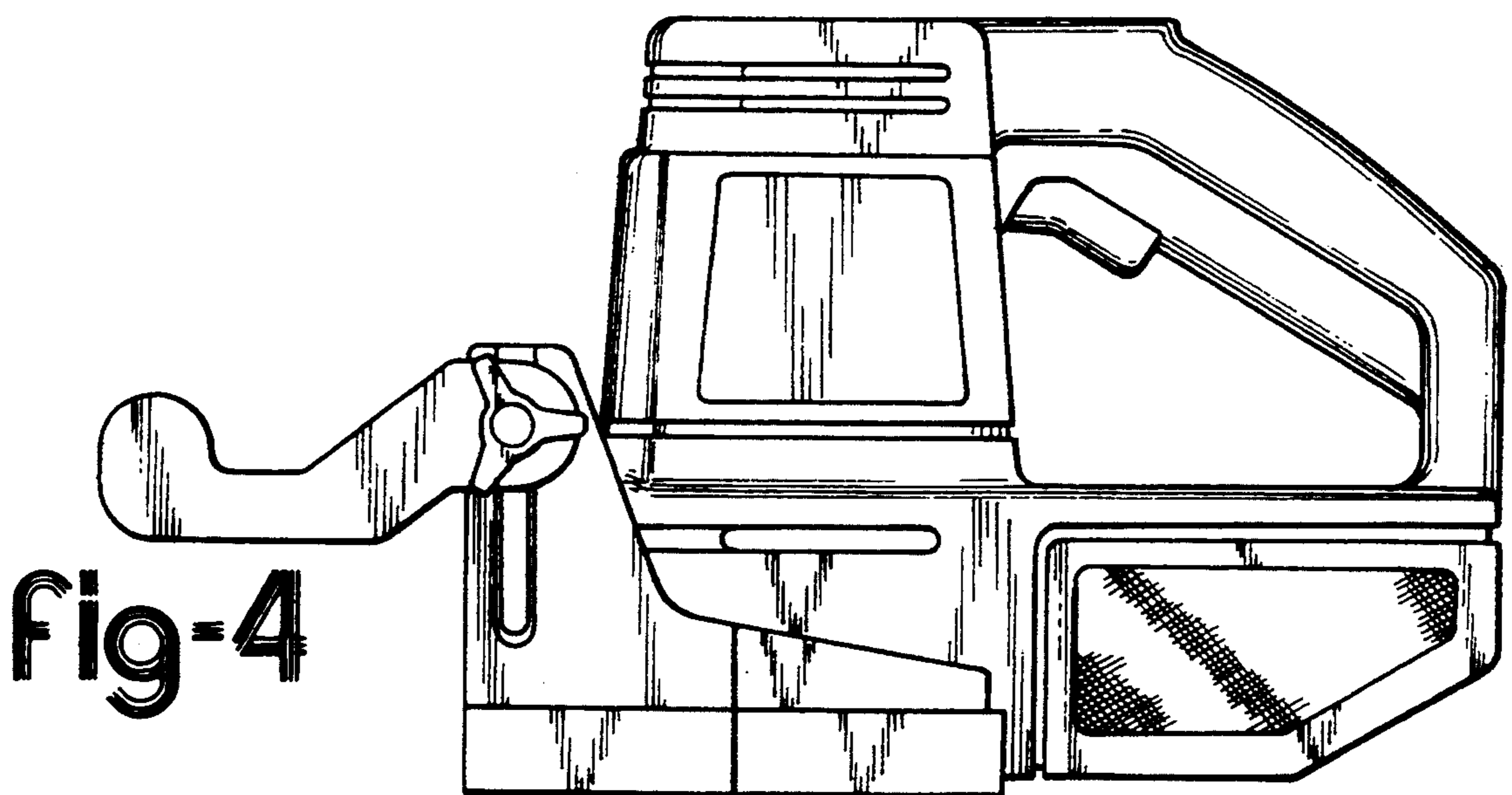


Fig-4

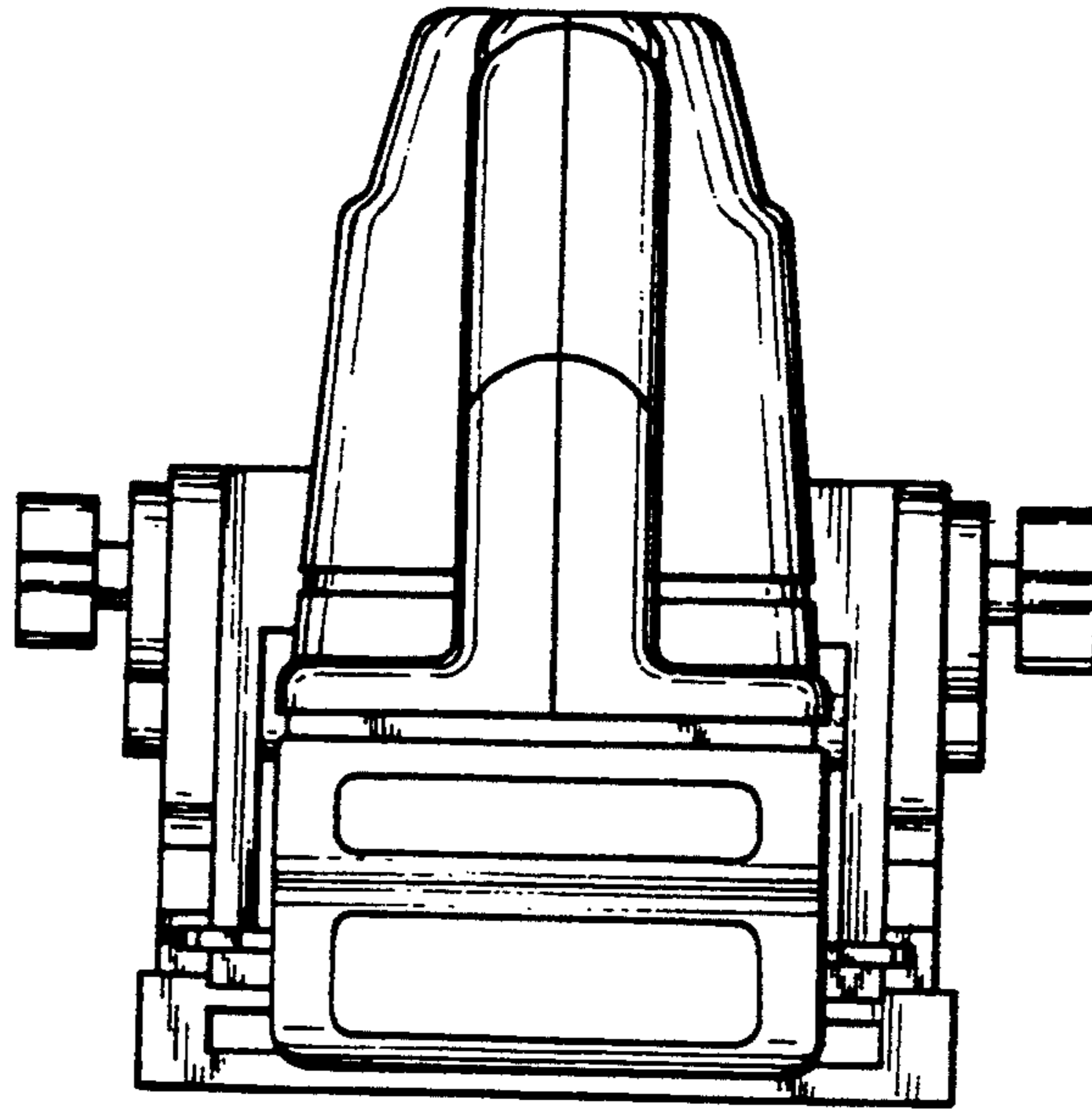


fig-5

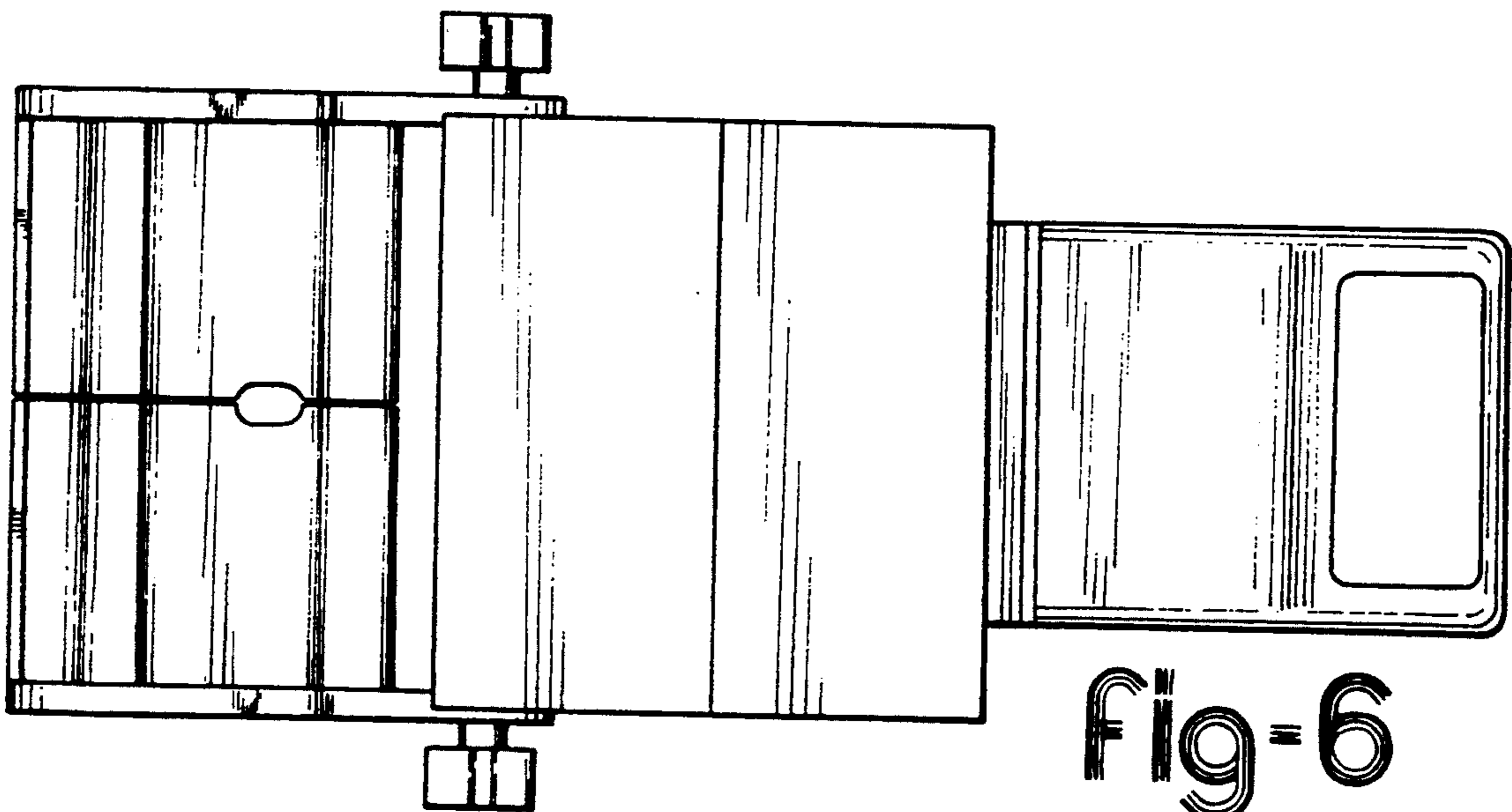


fig-6