



US00D350467S

United States Patent [19]

[11] Patent Number: Des. 350,467

Izumisawa

[45] Date of Patent: ** Sep. 13, 1994

[54] **JITTERBUG SANDER**
 [75] Inventor: Nobuyuki Izumisawa, Tokyo, Japan
 [73] Assignee: Shinano, Inc., Japan
 [**] Term: 14 Years
 [21] Appl. No.: 9,281
 [22] Filed: Jun. 9, 1993
 [52] U.S. Cl. D8/62
 [58] Field of Search D8/61, 62; 51/170 R,
 51/170 TL, 170 MT, 170 T

Automotive Tools & Equipment, Sunex, p. 17, 1990-1991.
Tools and Accessories Catalog, Buffalo Tool ®, p. 9, 1992.
Automotive Air Tools, Chicago Pneumatic, pp. 29-30, 39, Mar. 1990.

Primary Examiner—Alan P. Douglas
 Assistant Examiner—J. H. Musgrove
 Attorney, Agent, or Firm—Greer, Burns & Crain, Ltd.

[57] CLAIM

The ornamental design for a jitterbug sander, as shown and described.

[56] References Cited

U.S. PATENT DOCUMENTS

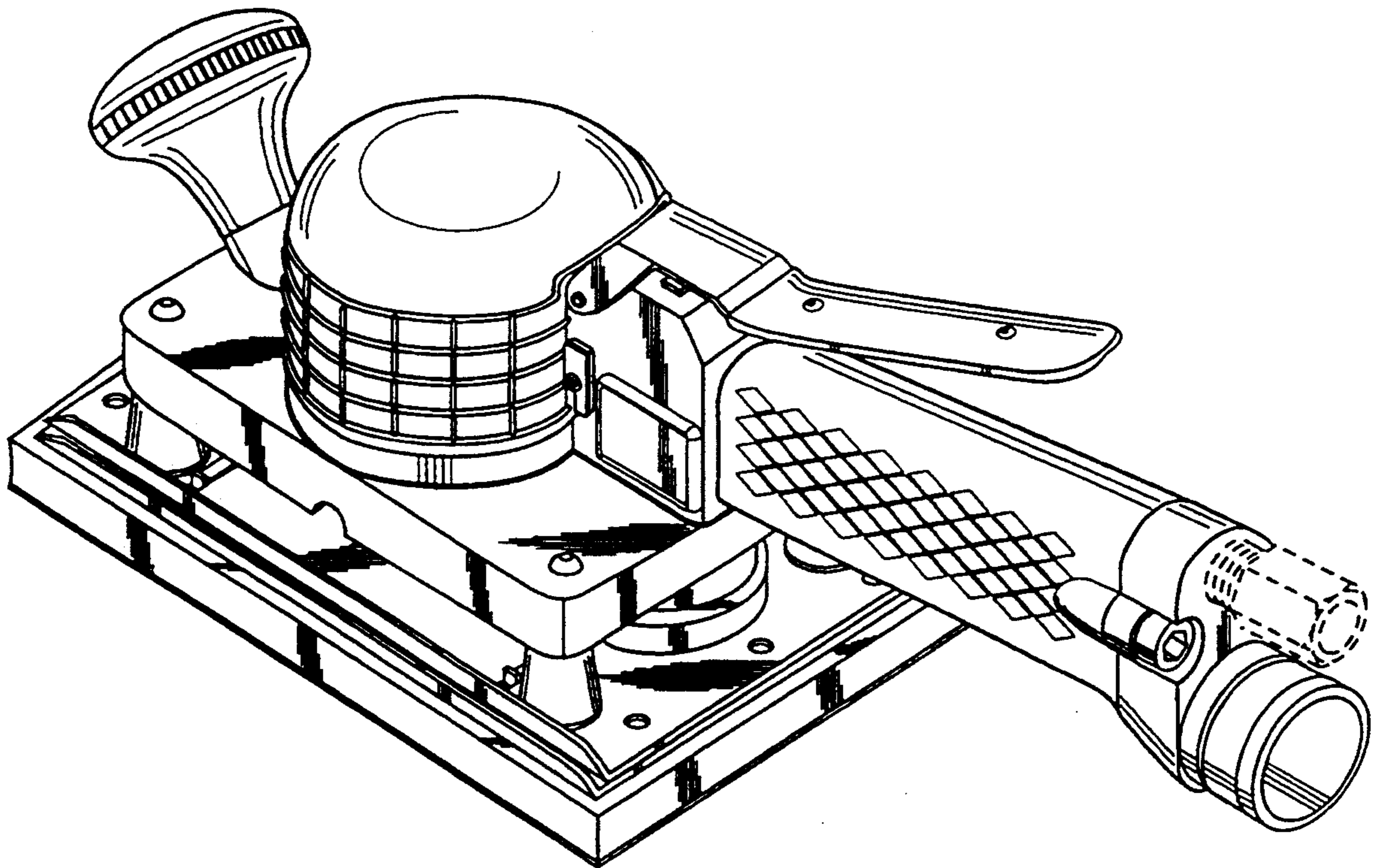
D. 314,125	1/1991	Ogawa et al.	D8/62
D. 314,900	2/1991	Hoffman	D8/62
2,817,192	12/1957	Amsden	51/170 TL
4,075,793	2/1978	Vogel et al.	51/170 TL
4,622,782	11/1986	Roestenberg	51/170 T

OTHER PUBLICATIONS

Tool and Equipment Catalog, Matco Tools, 169, 1992-1993.
Air Tools, Mechanics Products ®, p. 10, 1992.

DESCRIPTION

FIG. 1 is perspective view of the jitterbug sander showing my new design;
 FIG. 2 is a left side view thereof;
 FIG. 3 is a top view thereof;
 FIG. 4 is a right side view thereof;
 FIG. 5 is a bottom view thereof;
 FIG. 6 is a front view thereof; and,
 FIG. 7 is a rear view thereof.
 The broken lines showing the hose attachment portion is for illustrative purposes only and forms no part of the claimed invention.



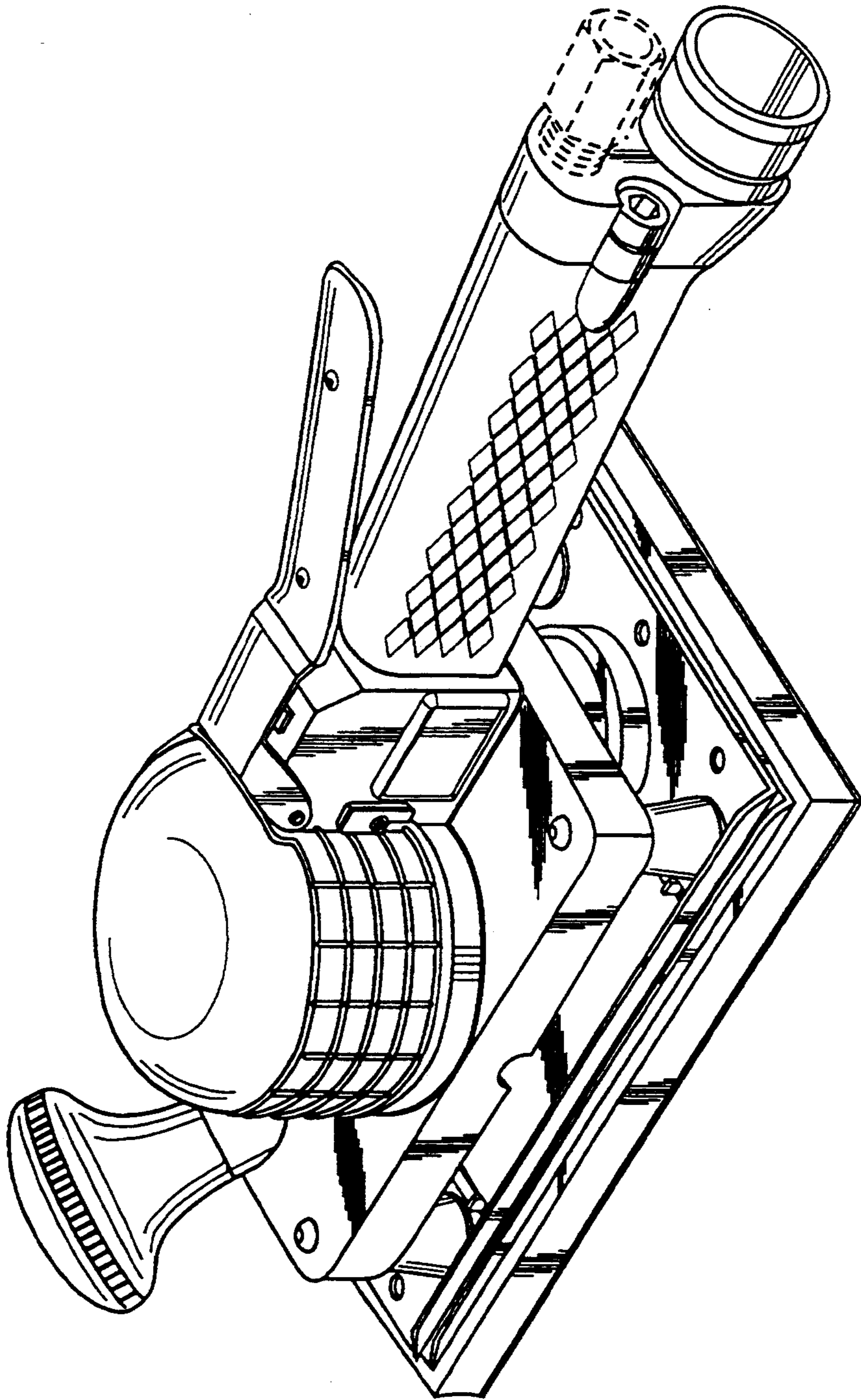


FIGURE 1

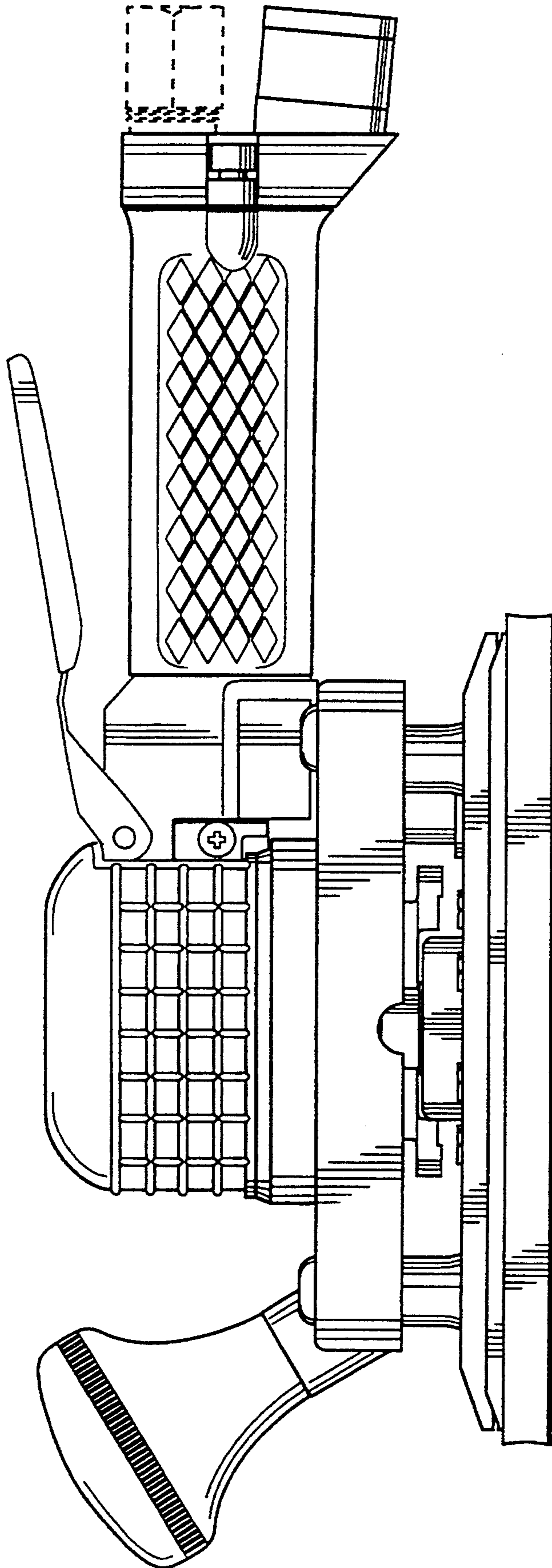


FIGURE 2

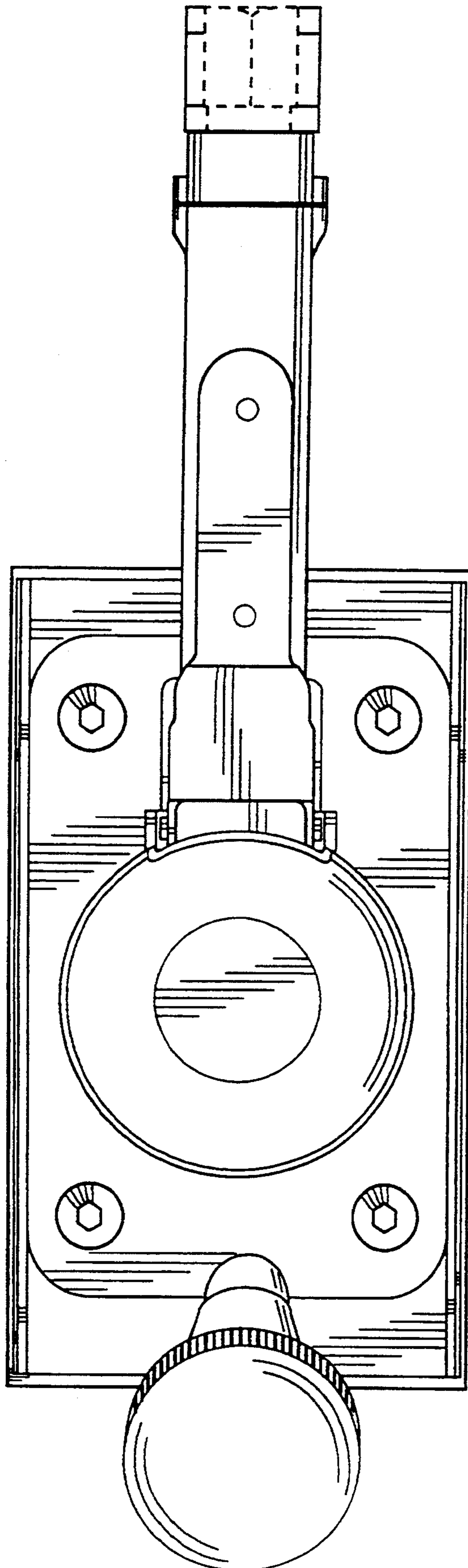


FIGURE 3

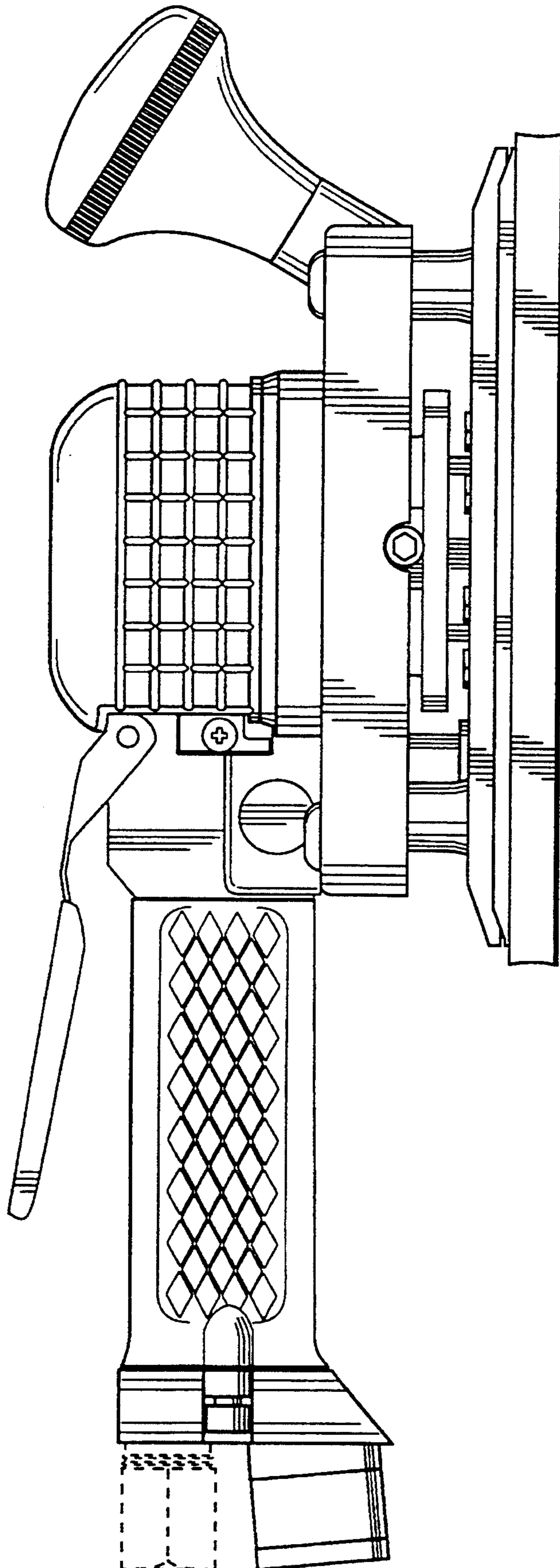


FIGURE 4

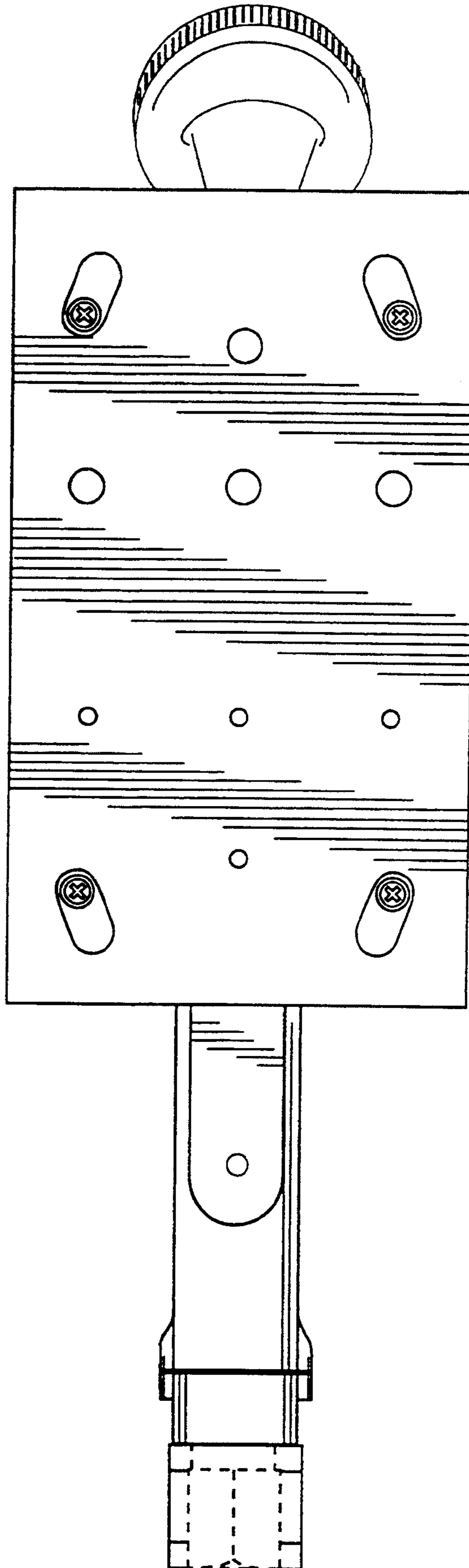


FIGURE 5

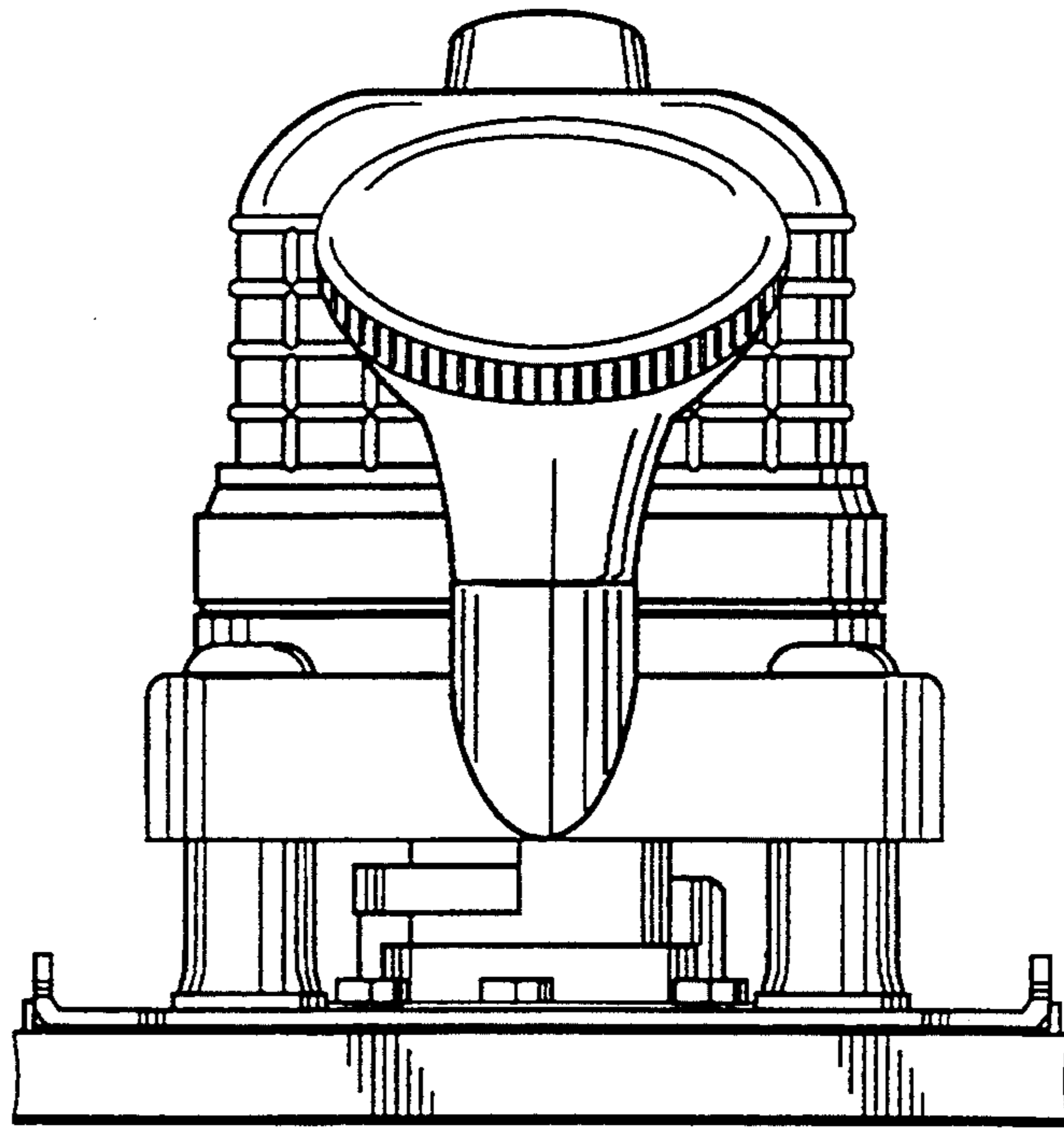


FIGURE 6

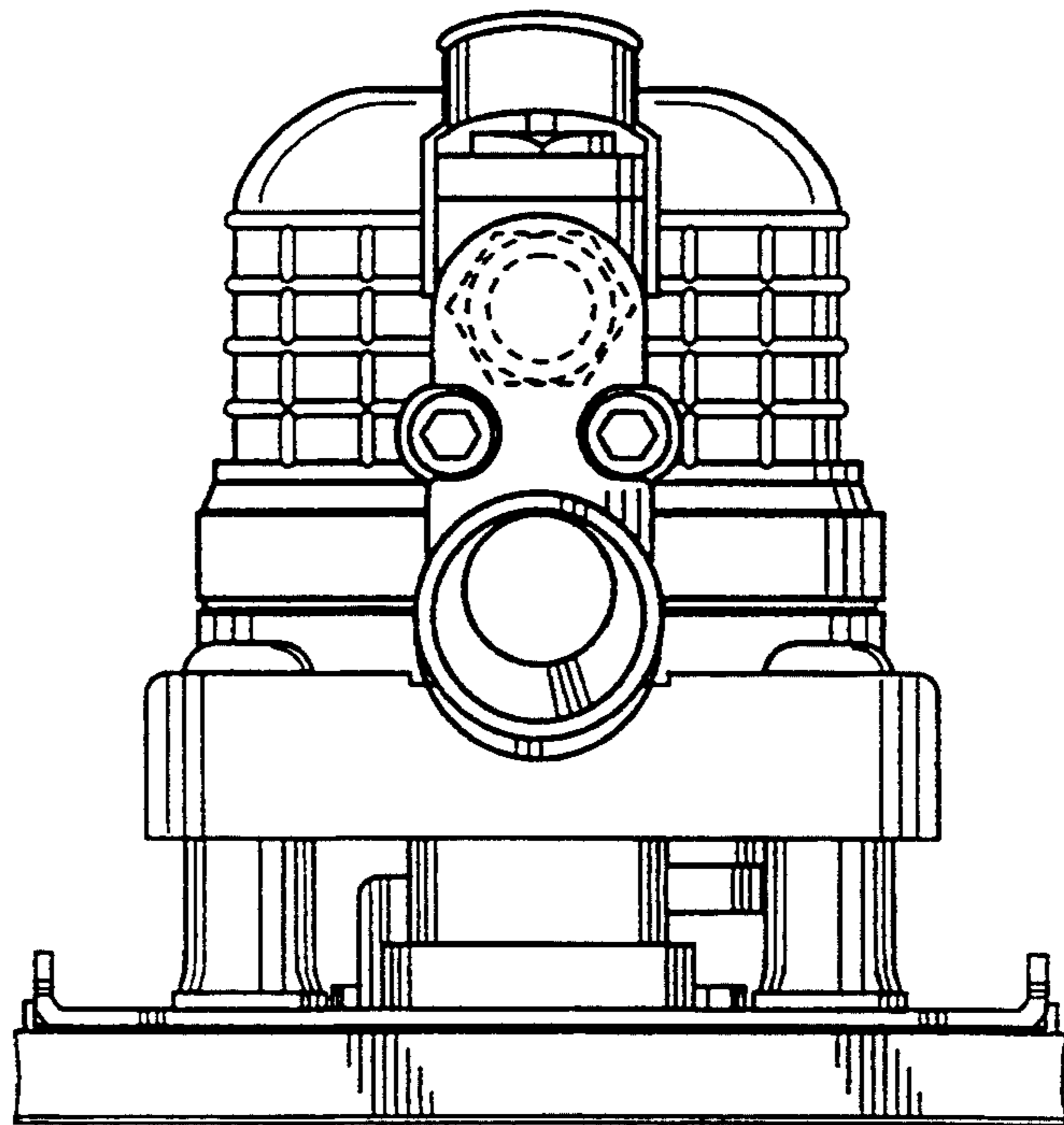


FIGURE 7