



US00D350459S

# United States Patent [19]

[11] Patent Number: Des. 350,459

Blackwell et al.

[45] Date of Patent: \*\* Sep. 13, 1994

[54] PORTABLE COOLER FOR PERISHABLE SUBSTANCES

[57] CLAIM

The ornamental design for a portable cooler for perishable substances, as shown and described.

[76] Inventors: Vicki S. Blackwell; Brenda L. Morton, both of 24845 Federal St. E4, Centerline, Mich. 48015

### DESCRIPTION

[\*\*] Term: 14 Years

FIG. 1 is a perspective view of a portable cooler for perishable substances showing my new design therefor. The cooler is shown with a lid in an open position and with one of the coolant packs partially displaced in an upward position to show the design of the coolant pack and coolant pack locking channels;

[21] Appl. No.: 6,524

FIG. 2 is a top plan view thereof showing the lid fully opened showing my new design;

[22] Filed: Mar. 29, 1993

FIG. 3 is a front elevational view thereof when the lid is closed;

[52] U.S. Cl. .... D7/605

FIG. 4 is a left side elevational view thereof when the lid is closed;

[58] Field of Search ..... D7/605-608;  
62/457.1, 457.7, 371, 432, 430; 220/412, 411, 903

FIG. 5 is a bottom plan view thereof;

### [56] References Cited

#### U.S. PATENT DOCUMENTS

4,024,731 5/1977 Branscum ..... 62/457.7 X  
4,815,287 3/1989 O'Daniel ..... 62/430

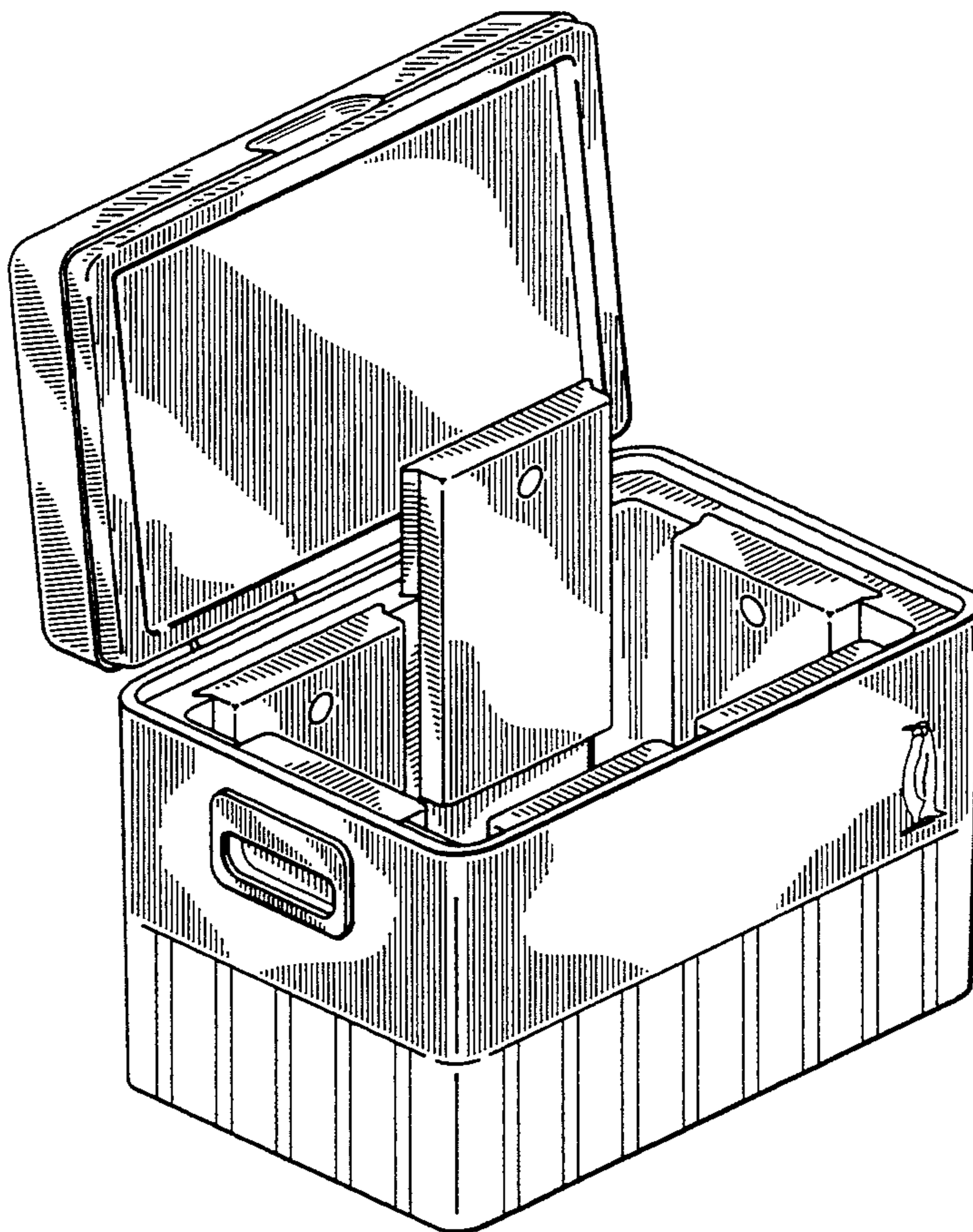
FIG. 6 is a rear elevational view thereof when the lid is closed;

FIG. 7 is a right side elevational view thereof when the lid is closed;

FIG. 8 is a top plan view thereof when the lid is closed; and,

FIG. 9 is a cross-section of a rear elevational view thereof when the lid is closed, to better show the design of the cooling packs when fully inserted and locked into place by channels and lid.

Primary Examiner—Terry A. Wallace  
Attorney, Agent, or Firm—Rhodes & Ascolwello



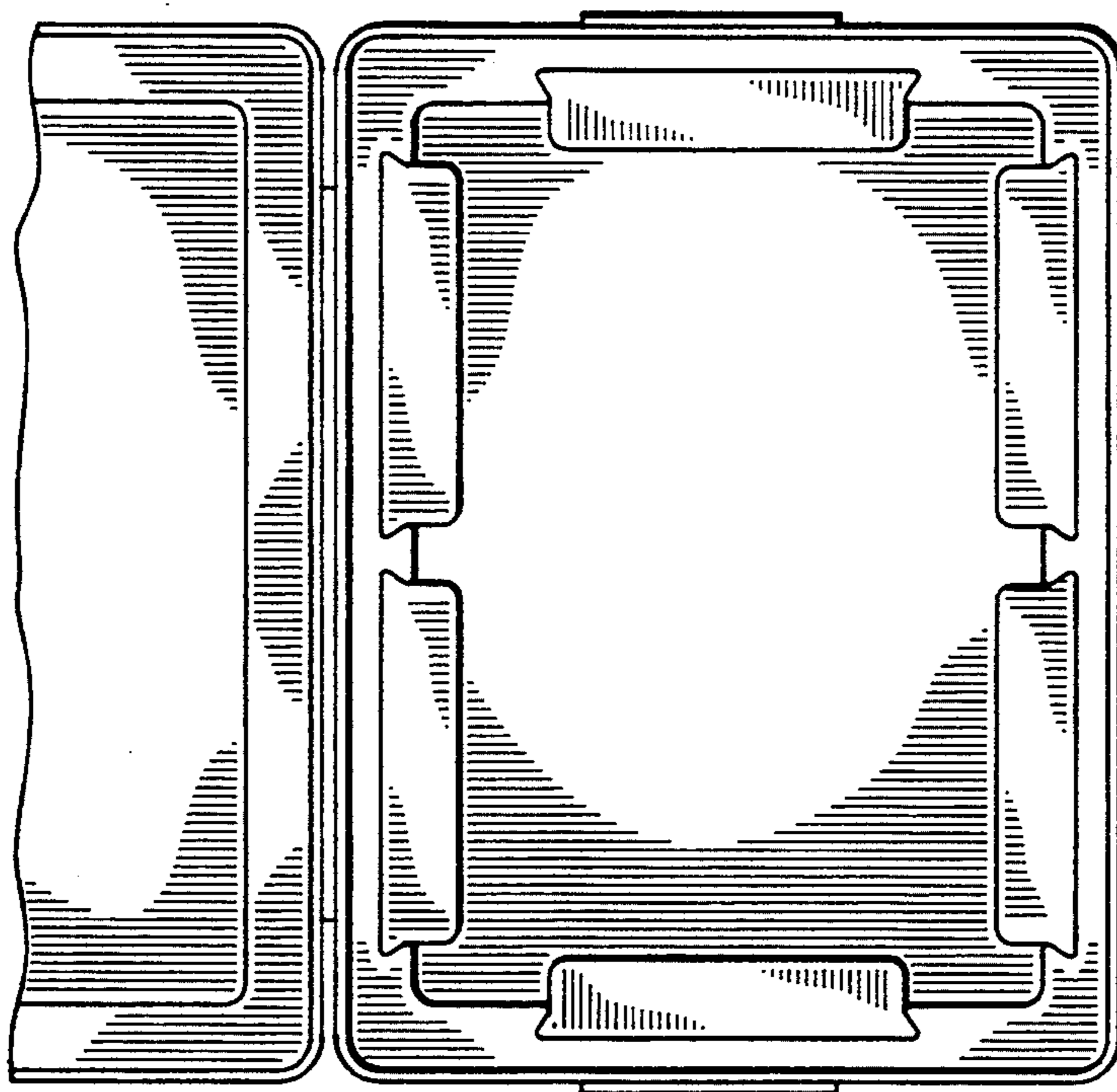
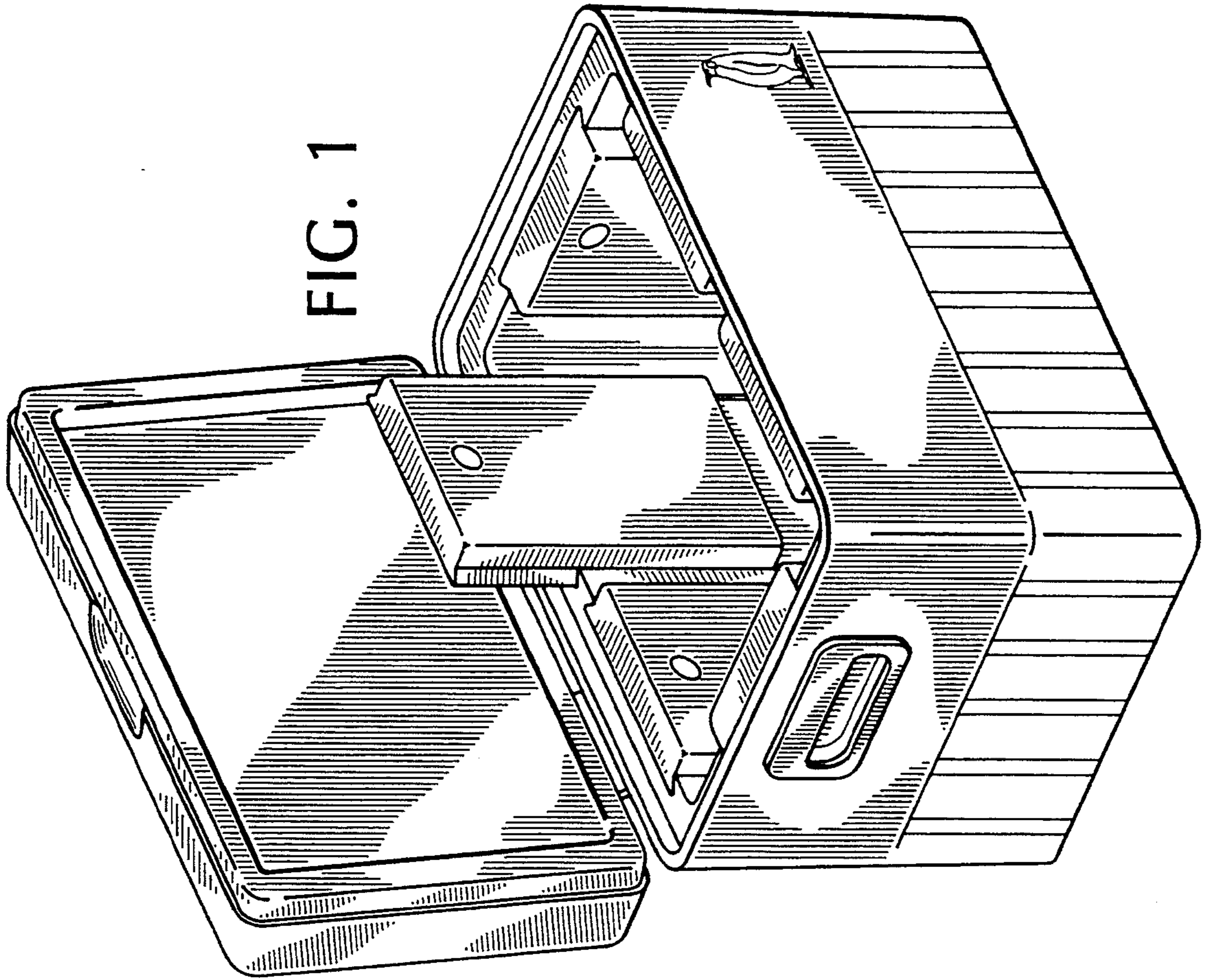


FIG. 1

FIG. 2

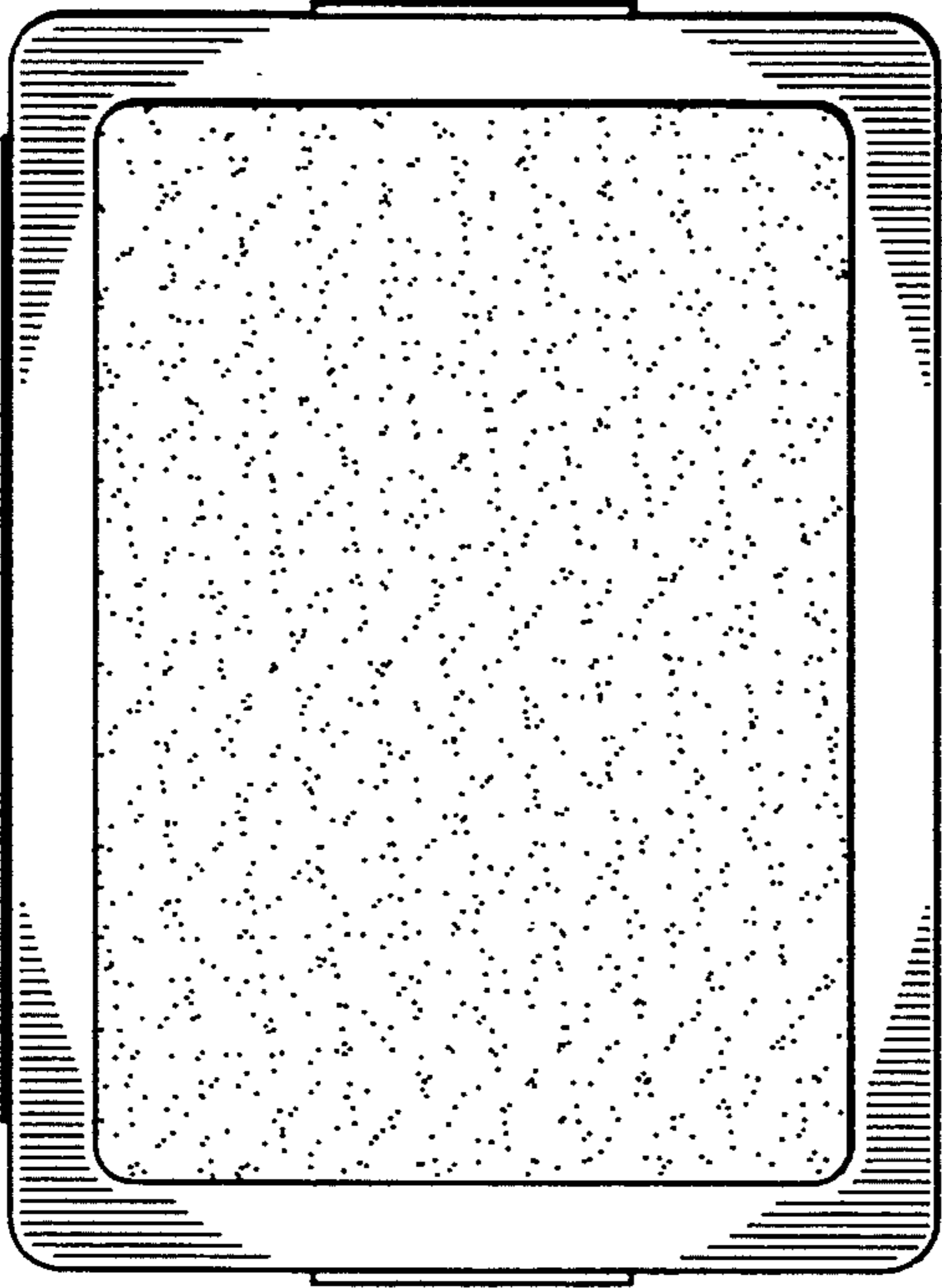


FIG. 5

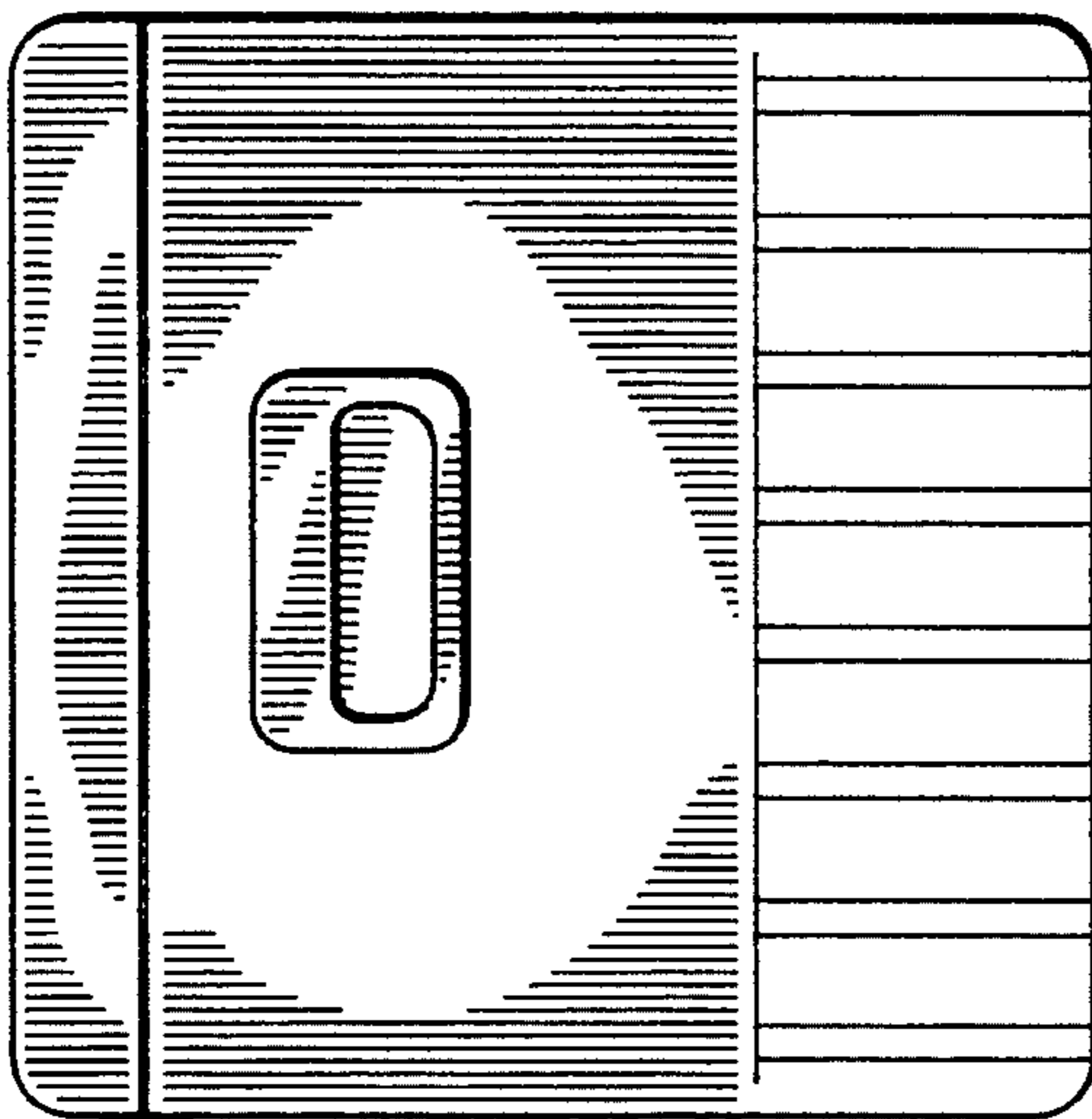


FIG. 4

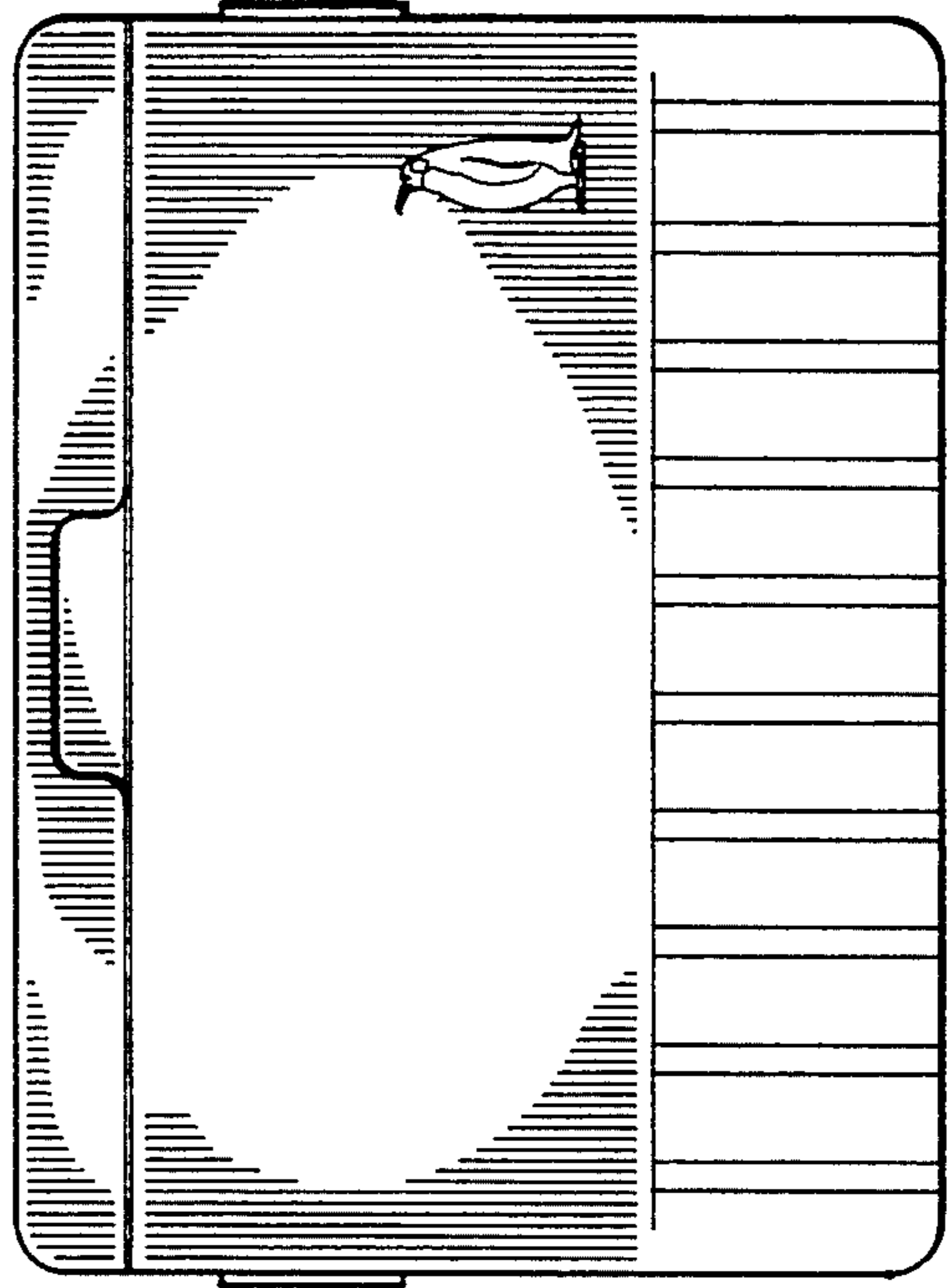


FIG. 3

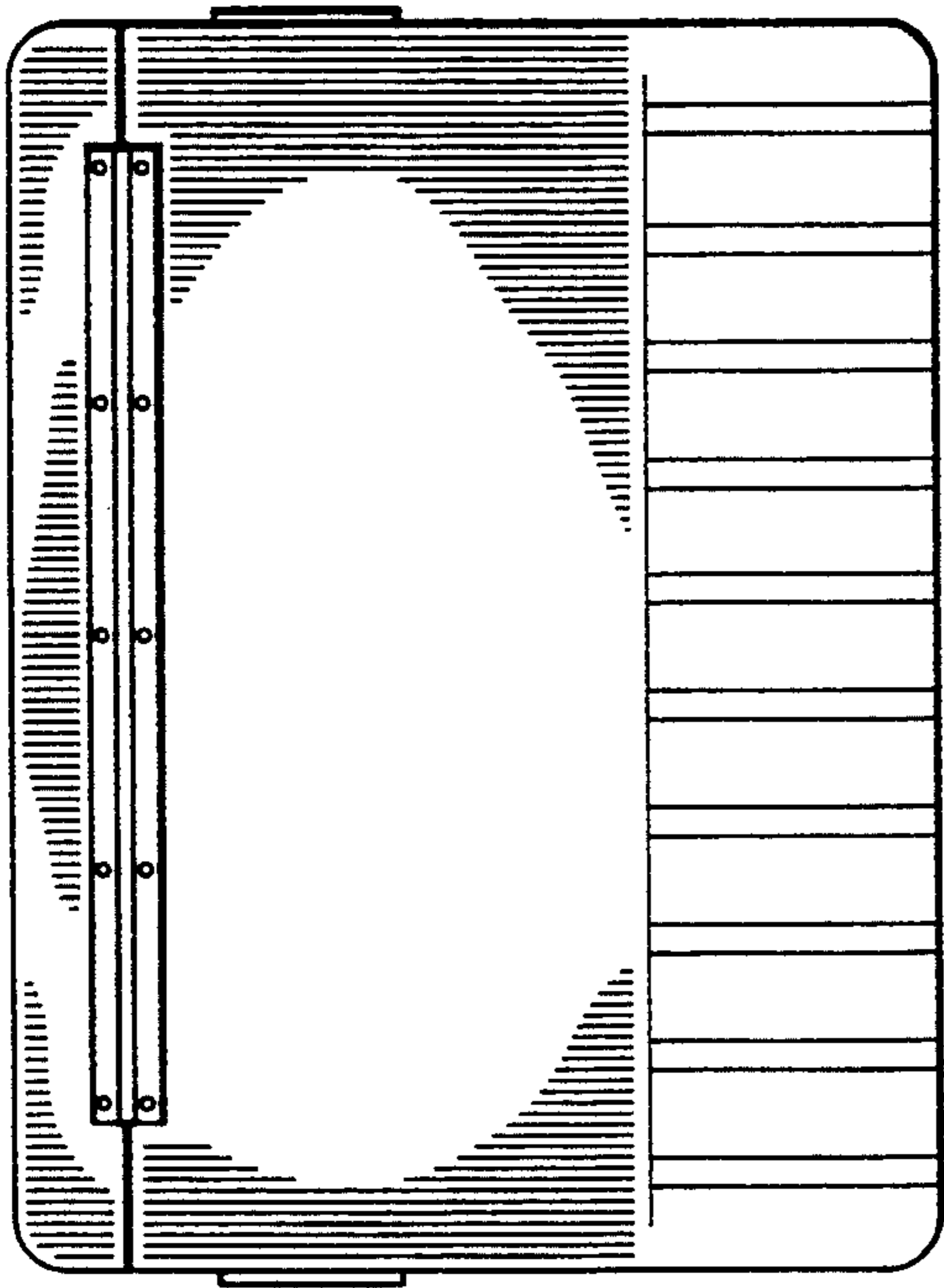


FIG. 6

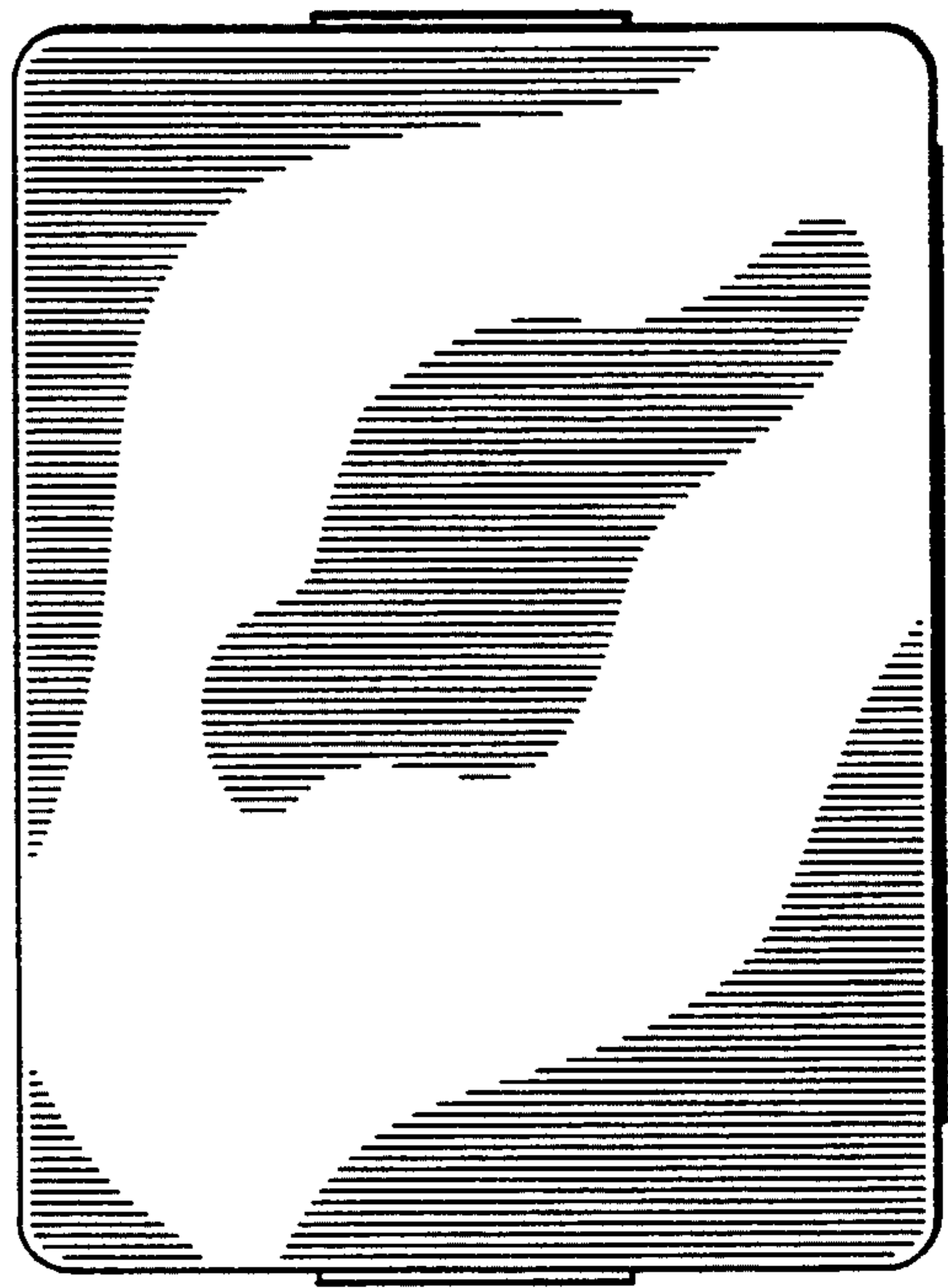


FIG. 8

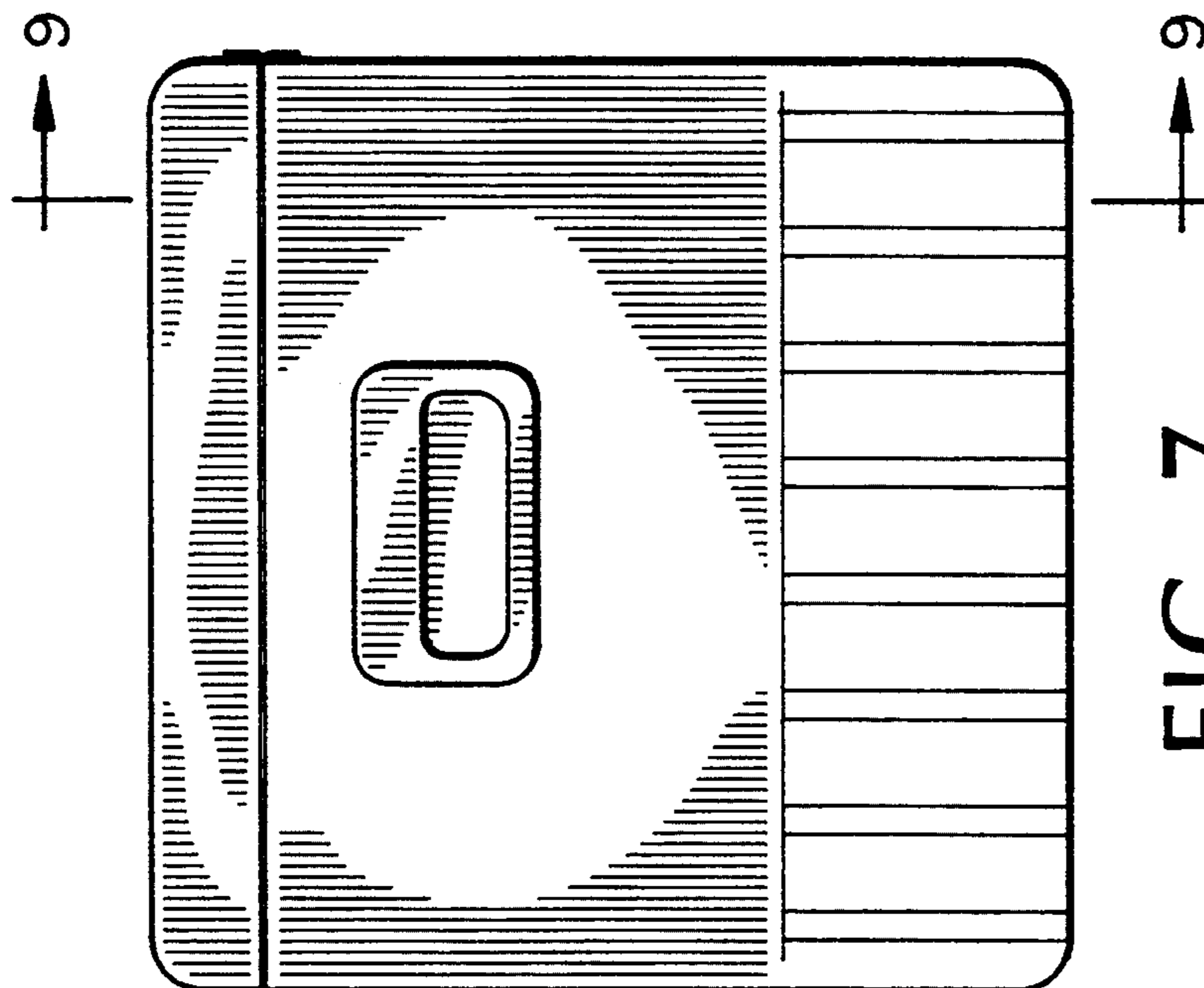


FIG. 7

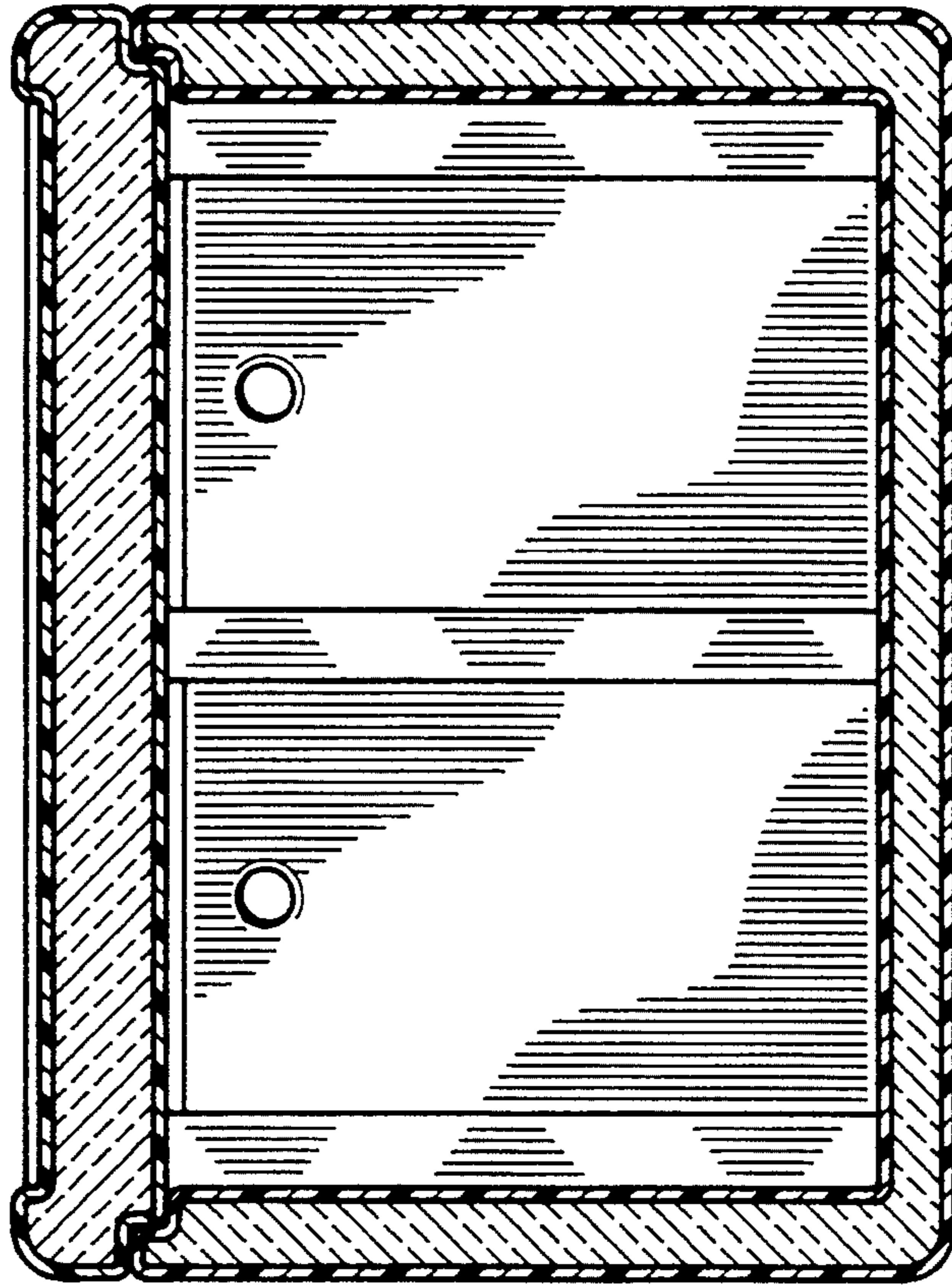


FIG. 9